



US00D968000S

(12) **United States Design Patent** (10) **Patent No.:** **US D968,000 S**  
**Liu** (45) **Date of Patent:** **\*\* Oct. 25, 2022**

(54) **FLASHLIGHT** D774,229 S \* 12/2016 Prieto ..... D26/49  
D783,193 S \* 4/2017 Kao ..... D26/49  
(71) Applicant: **Shenzhen Baoxi Technology Co., Ltd.,** D786,466 S \* 5/2017 Prieto ..... D26/49  
Shenzhen (CN) D828,940 S 9/2018 Qiu  
D833,051 S 11/2018 Qiu  
(72) Inventor: **Guangwu Liu, Changde (CN)** D846,169 S \* 4/2019 Inskeep ..... D26/49  
D885,626 S \* 5/2020 Inskeep ..... D26/49  
D897,578 S \* 9/2020 Le ..... D26/37  
(\*\*) Term: **15 Years**

(21) Appl. No.: **29/802,429**  
(22) Filed: **Aug. 5, 2021**  
(51) **LOC (13) Cl.** ..... **26-02**  
(52) **U.S. Cl.**  
USPC ..... **D26/49**  
(58) **Field of Classification Search**  
USPC ..... D26/24, 37-52, 113, 138  
CPC ..... F21Y 2115/10; F21Y 2101/00; F21Y  
2113/13; F21Y 2113/00; F21Y 2113/17;  
F21V 23/0414; F21V 15/01; F21V  
21/0885; F21V 14/045; F21V 14/025;  
F21V 21/145; F21V 21/406; F21V  
21/0965; F21V 5/006; F21V 14/065;  
F21V 7/0075; F21V 9/083; F21V 13/045;  
F21V 21/0925; F21L 4/005; F21L 4/027;  
F21L 4/00; F21L 2/00; F21L 4/085; F21L  
15/02; F21L 4/04; F21L 4/045  
See application file for complete search history.

(56) **References Cited**  
U.S. PATENT DOCUMENTS  
D507,367 S \* 7/2005 Chen ..... D26/37  
D683,877 S 6/2013 Brands et al.  
D709,234 S \* 7/2014 Inskeep ..... D26/49  
D716,984 S \* 11/2014 Inskeep ..... D26/49  
D719,694 S \* 12/2014 Nawaz ..... D22/117  
D745,987 S 12/2015 Nawaz  
D751,742 S 3/2016 Windom et al.  
D769,496 S \* 10/2016 Inskeep ..... D26/49

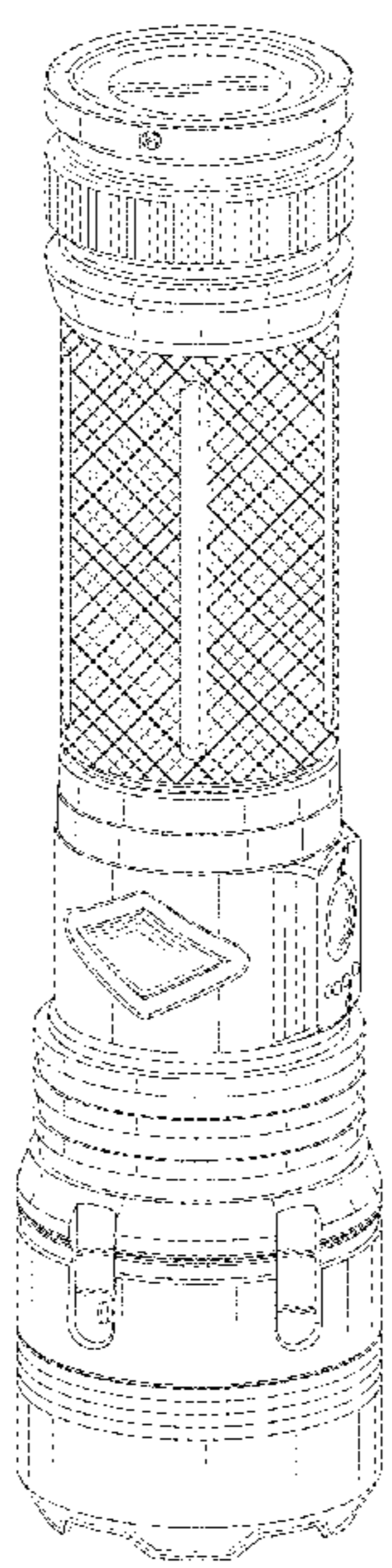
**OTHER PUBLICATIONS**  
Rechargeable Flashlights LED High Lumens. By Relybo. Dated  
Nov. 9, 2021. Found online [May 28, 2022]. [https://www.amazon.com/Rechargeable-Flashlights-Flashlight-Emergency-Relybo/dp/B09JMT1V39/\(Year: 2021\).](https://www.amazon.com/Rechargeable-Flashlights-Flashlight-Emergency-Relybo/dp/B09JMT1V39/(Year: 2021).)\*

\* cited by examiner  
*Primary Examiner* — Marissa J Cash  
*Assistant Examiner* — William B Melliar  
(74) *Attorney, Agent, or Firm* — Rumit Ranjit Kanakia

(57) **CLAIM**  
I claim the ornamental design for a flashlight, as shown and  
described.

**DESCRIPTION**  
FIG. 1 is a perspective view of a flashlight showing my new  
design;  
FIG. 2 is a front view thereof;  
FIG. 3 is a back view thereof;  
FIG. 4 is a right-side view thereof;  
FIG. 5 is a left-side view thereof;  
FIG. 6 is a top view thereof; and,  
FIG. 7 is a bottom view thereof.  
The broken lines in the drawings depict portions of the  
flashlight that form no part of the claimed design.

**1 Claim, 6 Drawing Sheets**



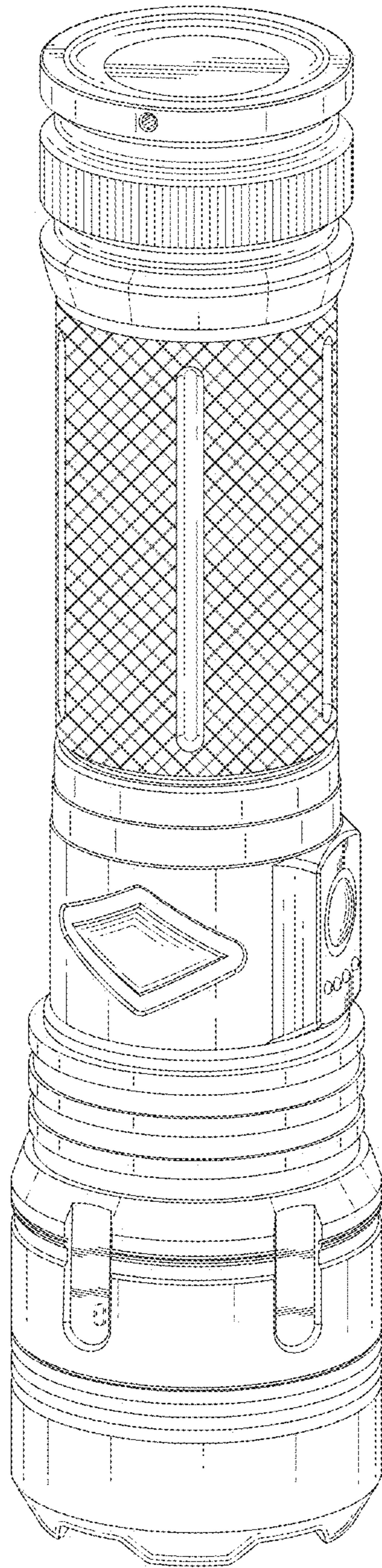


FIG.1

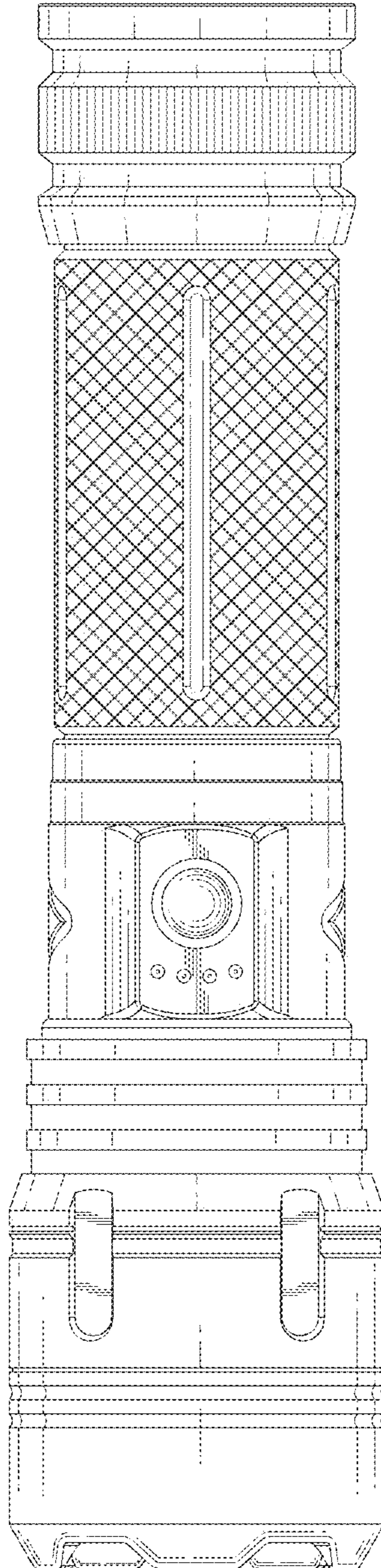


FIG.2

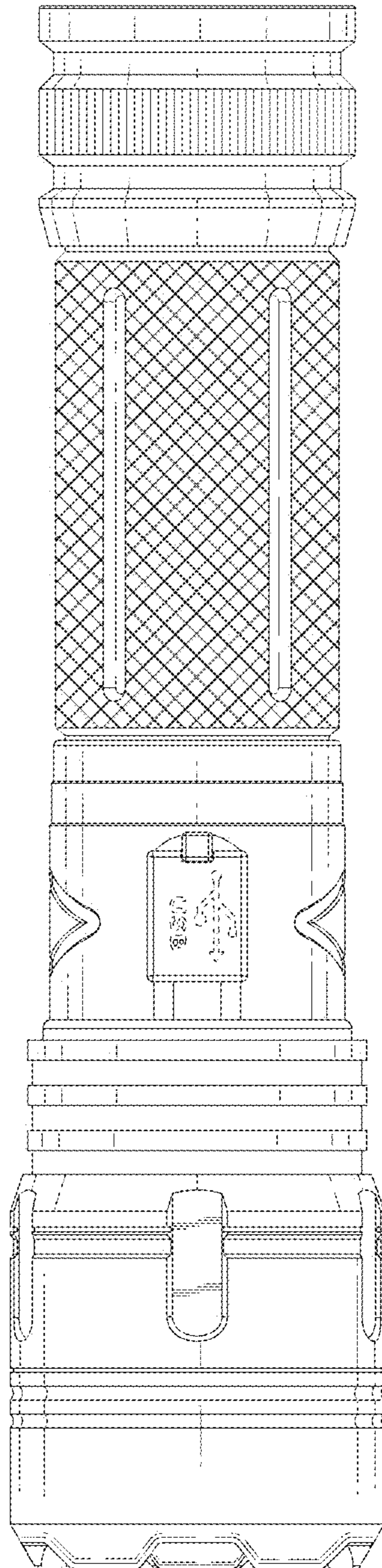


FIG.3

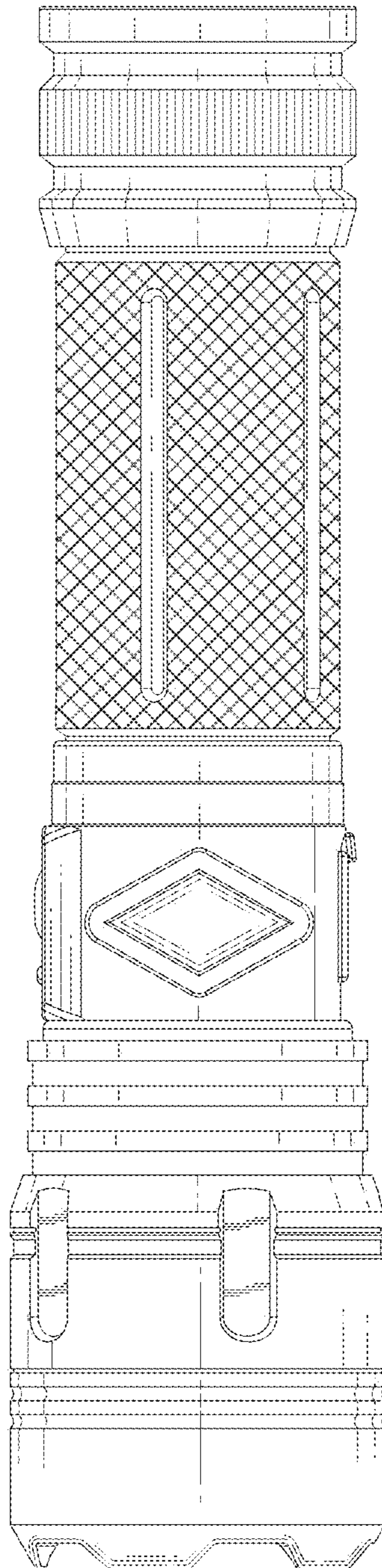


FIG.4

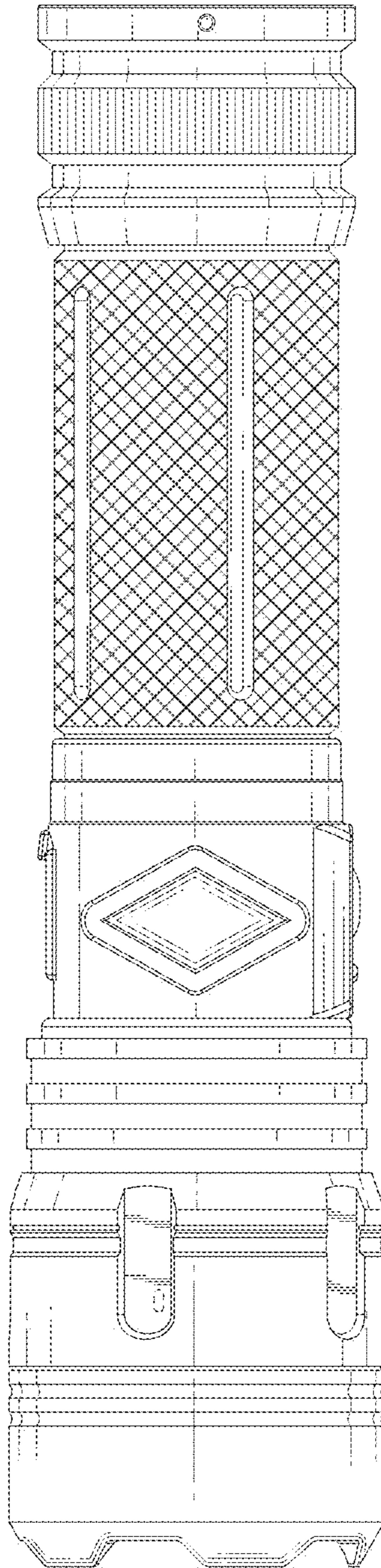
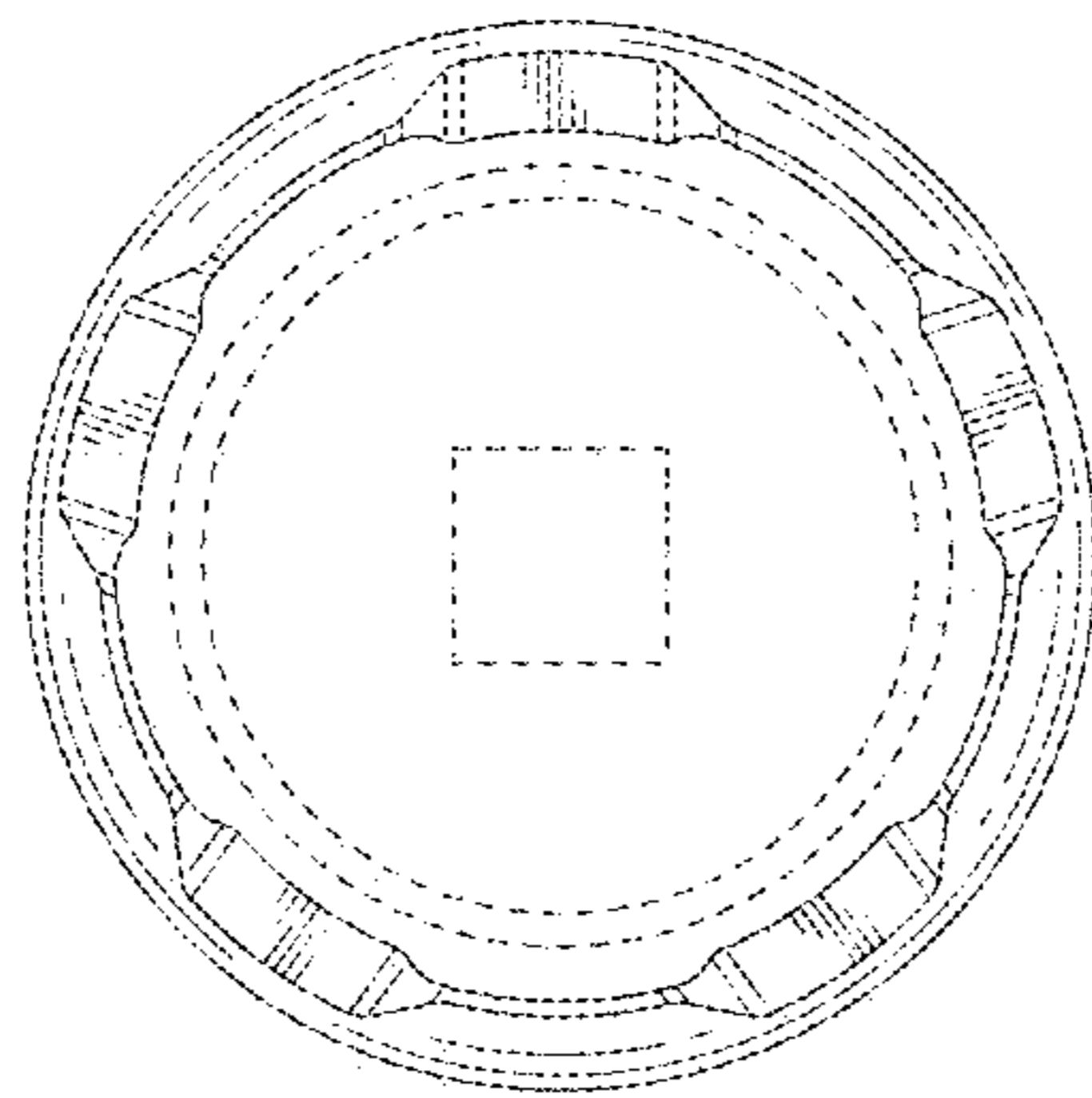
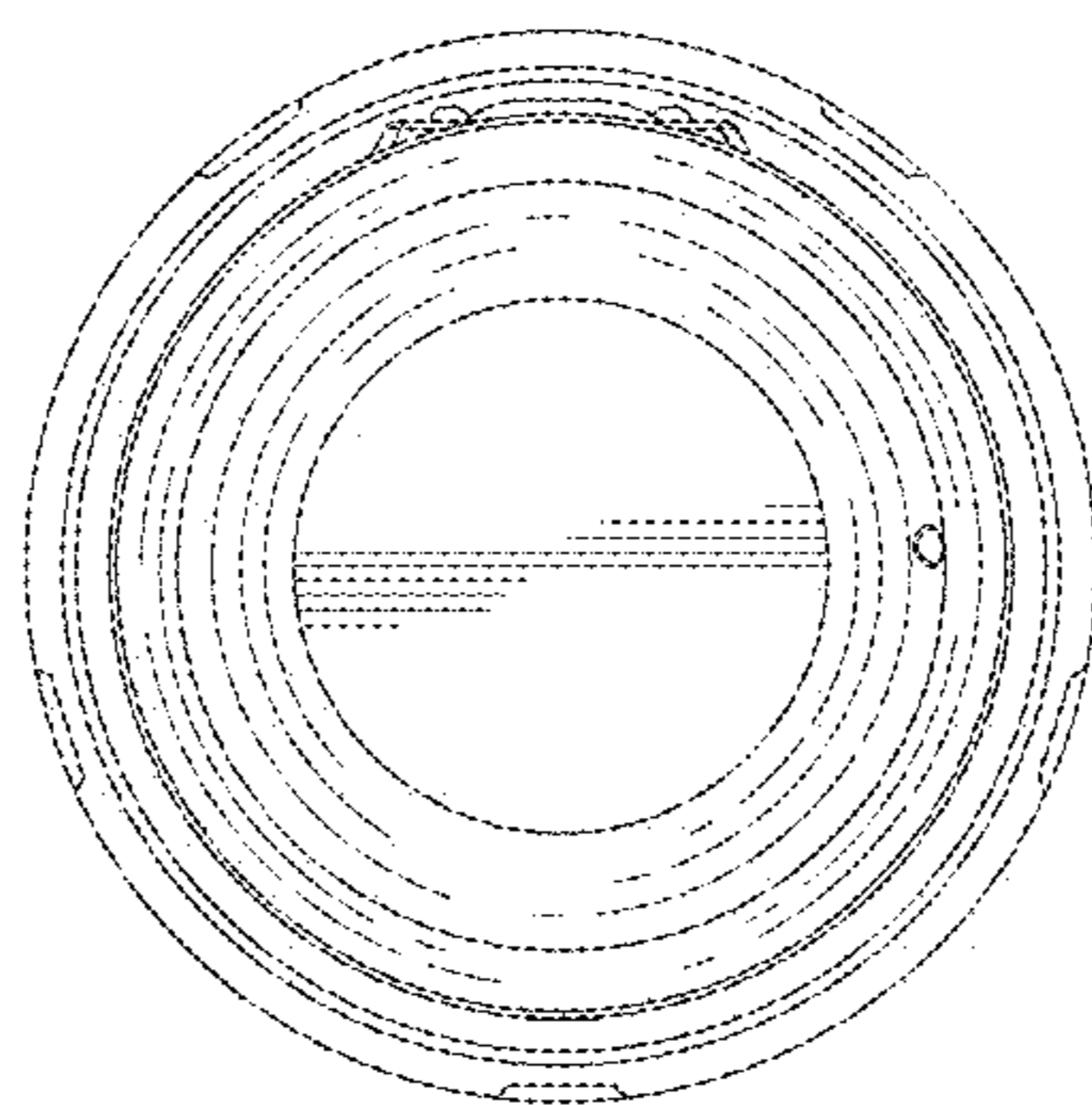


FIG.5



**FIG. 6**



**FIG. 7**