



US00D967999S

(12) **United States Design Patent** (10) **Patent No.:** **US D967,999 S**
Lu (45) **Date of Patent:** **** Oct. 25, 2022**

(54) **HEADLAMP**

(71) Applicant: **Xun Lu**, Ningbo (CN)

(72) Inventor: **Xun Lu**, Ningbo (CN)

(**) Term: **15 Years**

(21) Appl. No.: **29/768,001**

(22) Filed: **Jan. 27, 2021**

(51) **LOC (13) Cl.** **26-02**

(52) **U.S. Cl.**
USPC **D26/39**

(58) **Field of Classification Search**
USPC D26/24, 37-52, 113, 138
CPC F21Y 2115/10; F21Y 2103/10; F21Y 2105/12; F21Y 2105/10; F21Y 2113/13; F21Y 2101/00; F21V 21/084; F21V 9/30; F21V 5/04; F21V 21/30; F21V 23/0414; F21V 21/145; F21V 25/00; F21V 15/01; F21V 14/045; F21V 21/0965; F21V 7/0008; F21L 4/00; F21L 4/04; F21L 14/00; F21L 4/02; F21L 15/14
See application file for complete search history.

(56) **References Cited**

U.S. PATENT DOCUMENTS

D743,596 S *	11/2015	Ormsbee	D26/39
D762,317 S *	7/2016	Ormsbee	D26/39
D812,793 S *	3/2018	Huang	D26/39
D845,526 S *	4/2019	Windom	D26/39
D884,234 S *	5/2020	Bao	D26/39
D929,006 S *	8/2021	Yan	D26/39
2015/0192282 A1 *	7/2015	Ormsbee	F21L 4/04 315/307

OTHER PUBLICATIONS

Headlamps Rechargeable. By IKAAMA. Dated Aug. 1, 2020. Found online [May 26, 2022]. <https://www.amazon.com/Flashlight-Rechargeable-Waterproof-Headlight-Headlamps/dp/B08CZWZFVL> (Year: 2020).*
ANYHOT Headlamps. By ANYHOT. Dated Feb. 21, 2022. Found online [May 26, 2022]. <https://www.amazon.com/ANYHOT-Flashlight-Ultra-Bright-Rechargeable-Waterproof/dp/B09QFY9F5P> (Year: 2022).*

* cited by examiner

Primary Examiner — Marissa J Cash
Assistant Examiner — William B Melliar
(74) *Attorney, Agent, or Firm* — Jeenam Park

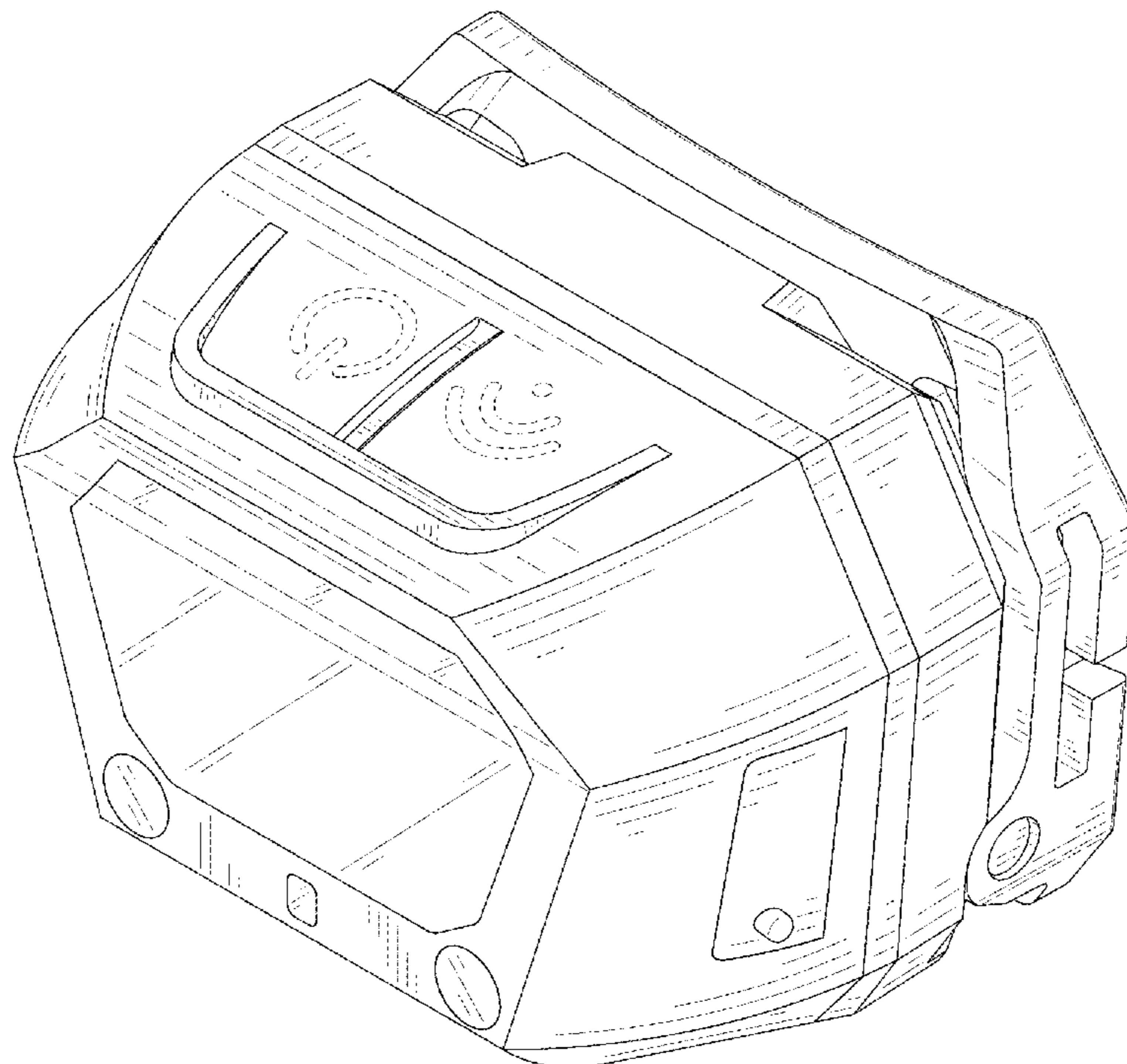
(57) **CLAIM**

The ornamental design for a headlamp, as shown and described.

DESCRIPTION

FIG. 1 is a first perspective view of a headlamp showing my new design;
FIG. 2 is a second perspective view thereof;
FIG. 3 is a front view thereof;
FIG. 4 is a back view thereof;
FIG. 5 is a left side view thereof;
FIG. 6 is a right side view thereof;
FIG. 7 is a top view thereof; and,
FIG. 8 is a bottom view thereof.
The broken lines shown in the drawings depict portions of the headlamp in which the design is embodied that form no part of the claimed design.

1 Claim, 8 Drawing Sheets



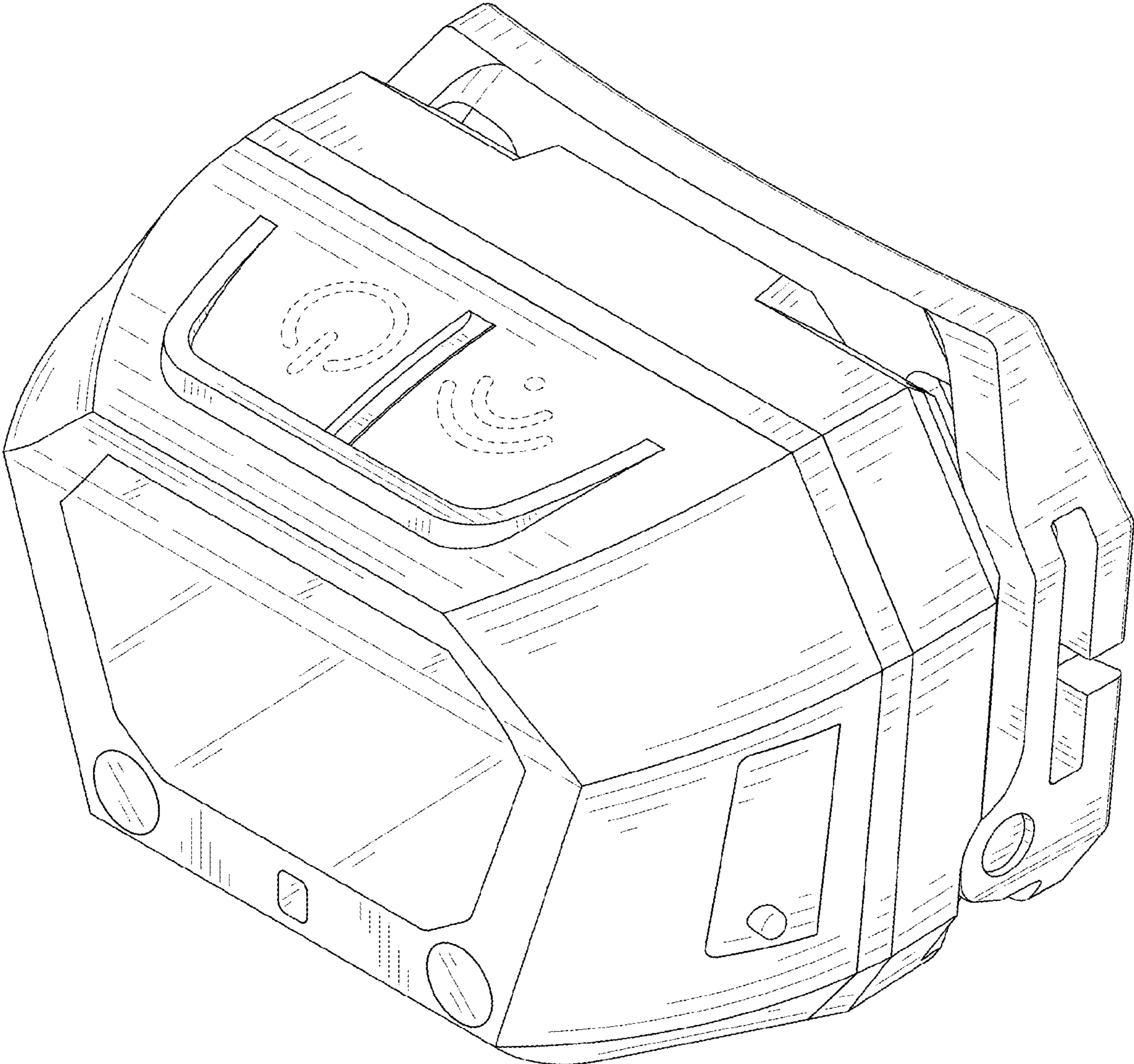


FIG. 1

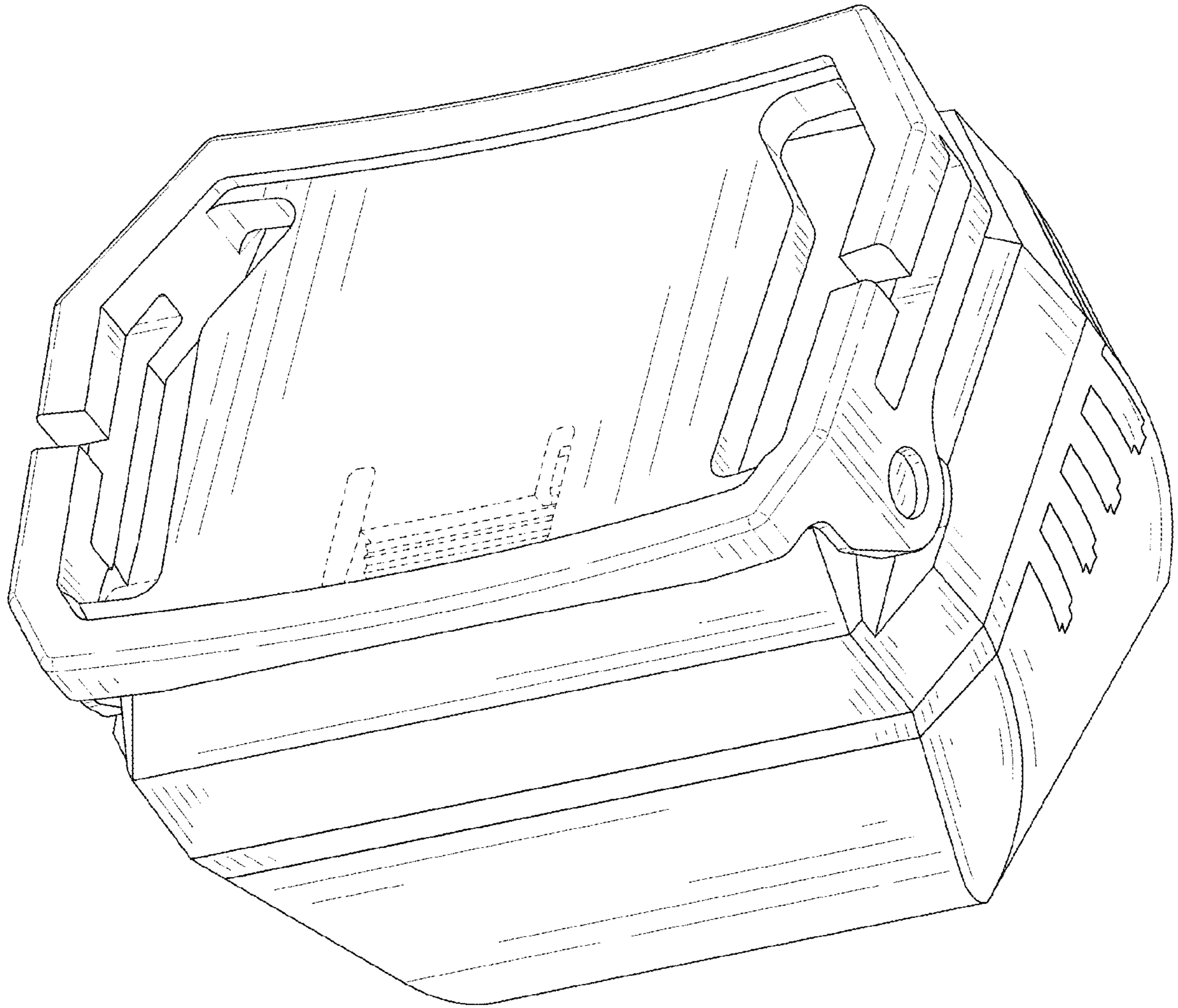


FIG. 2

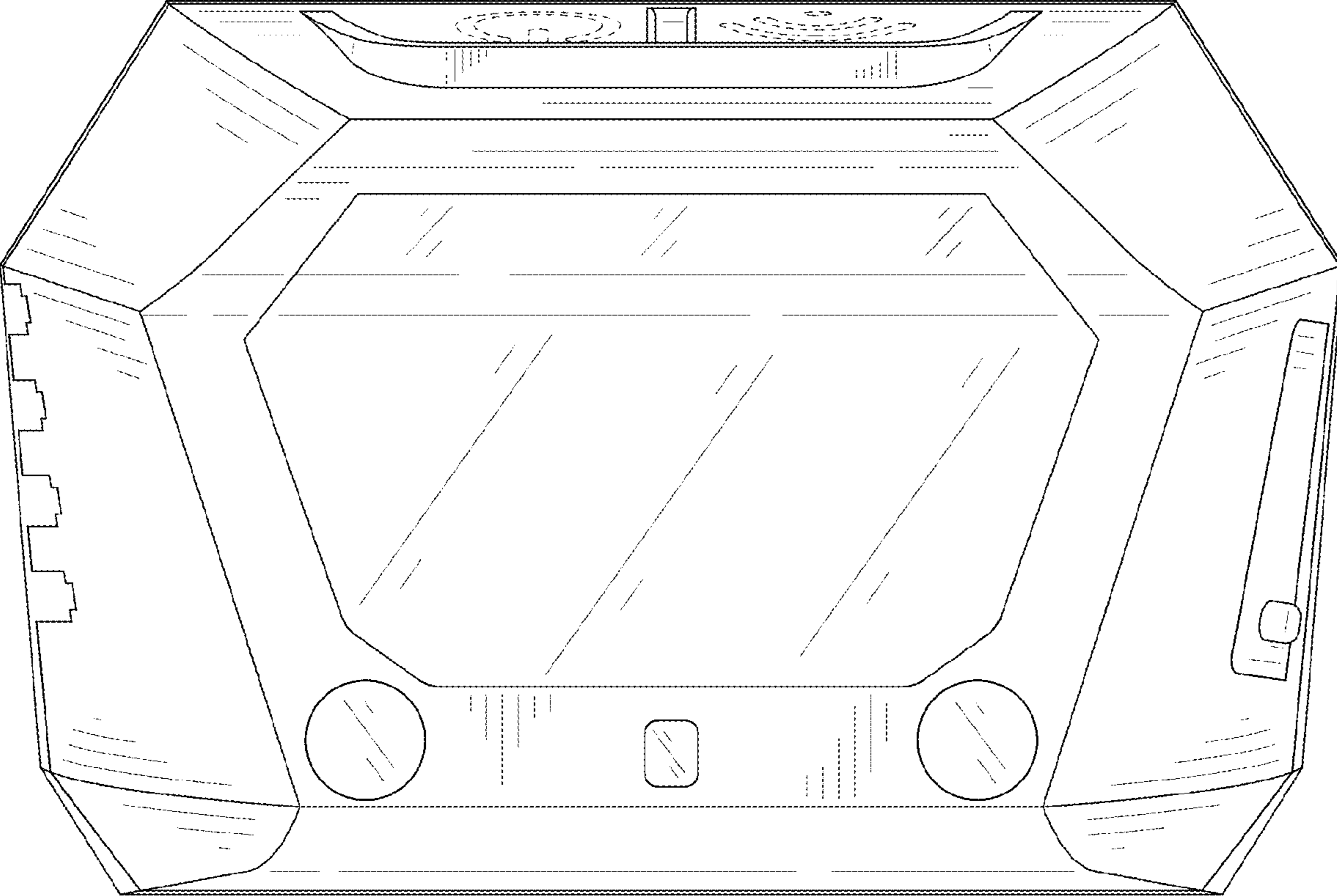


FIG. 3

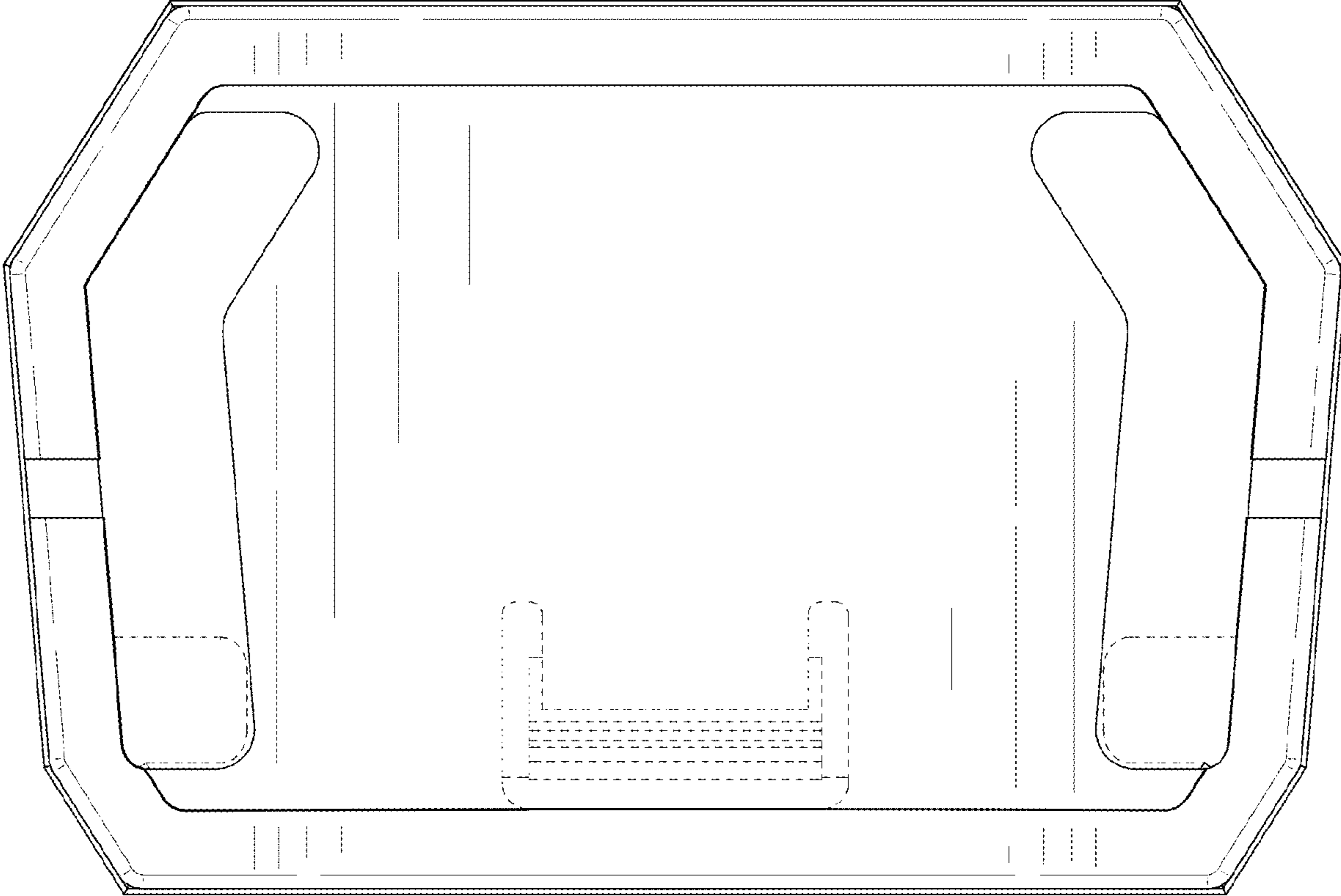


FIG. 4

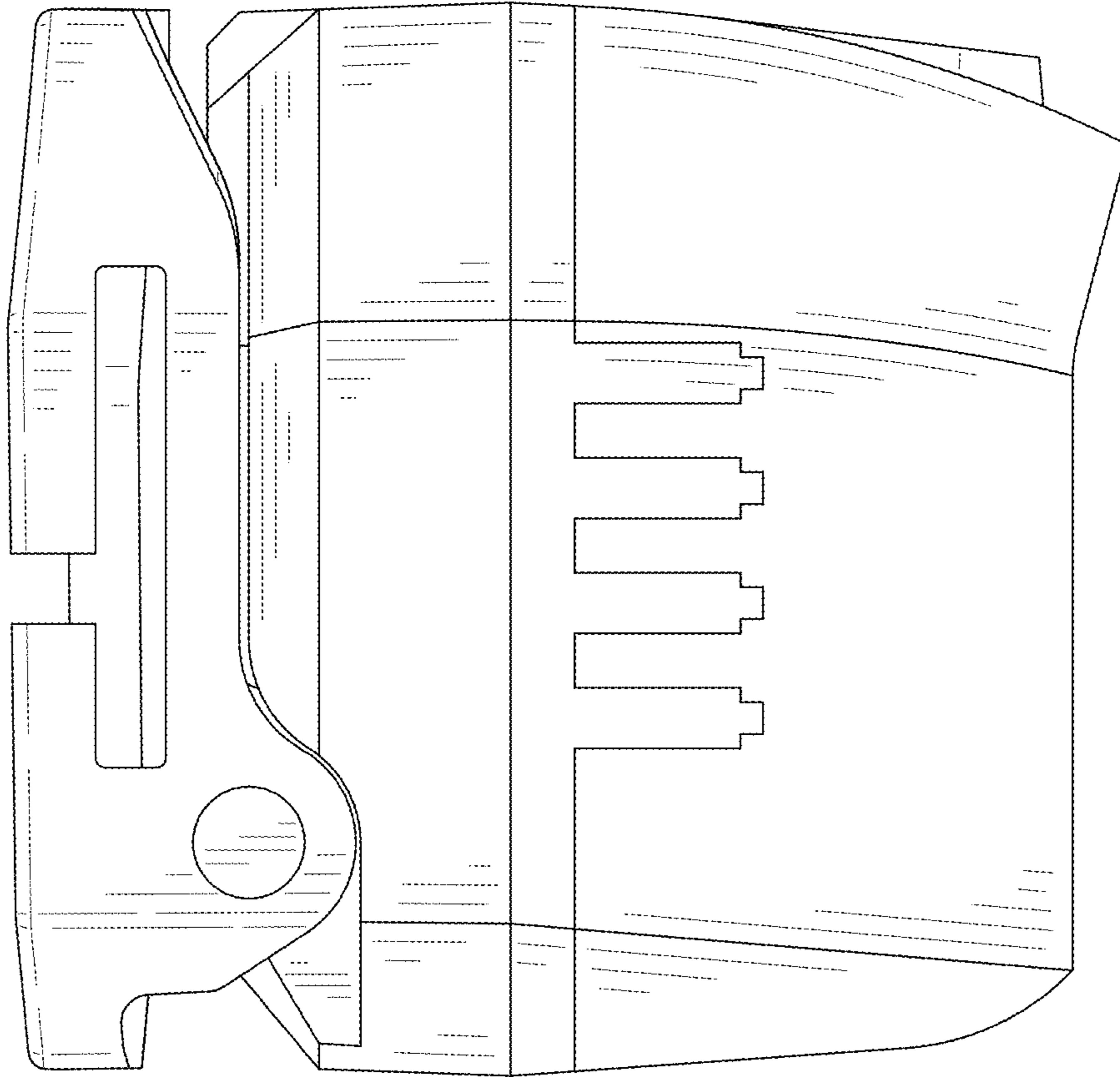


FIG. 5

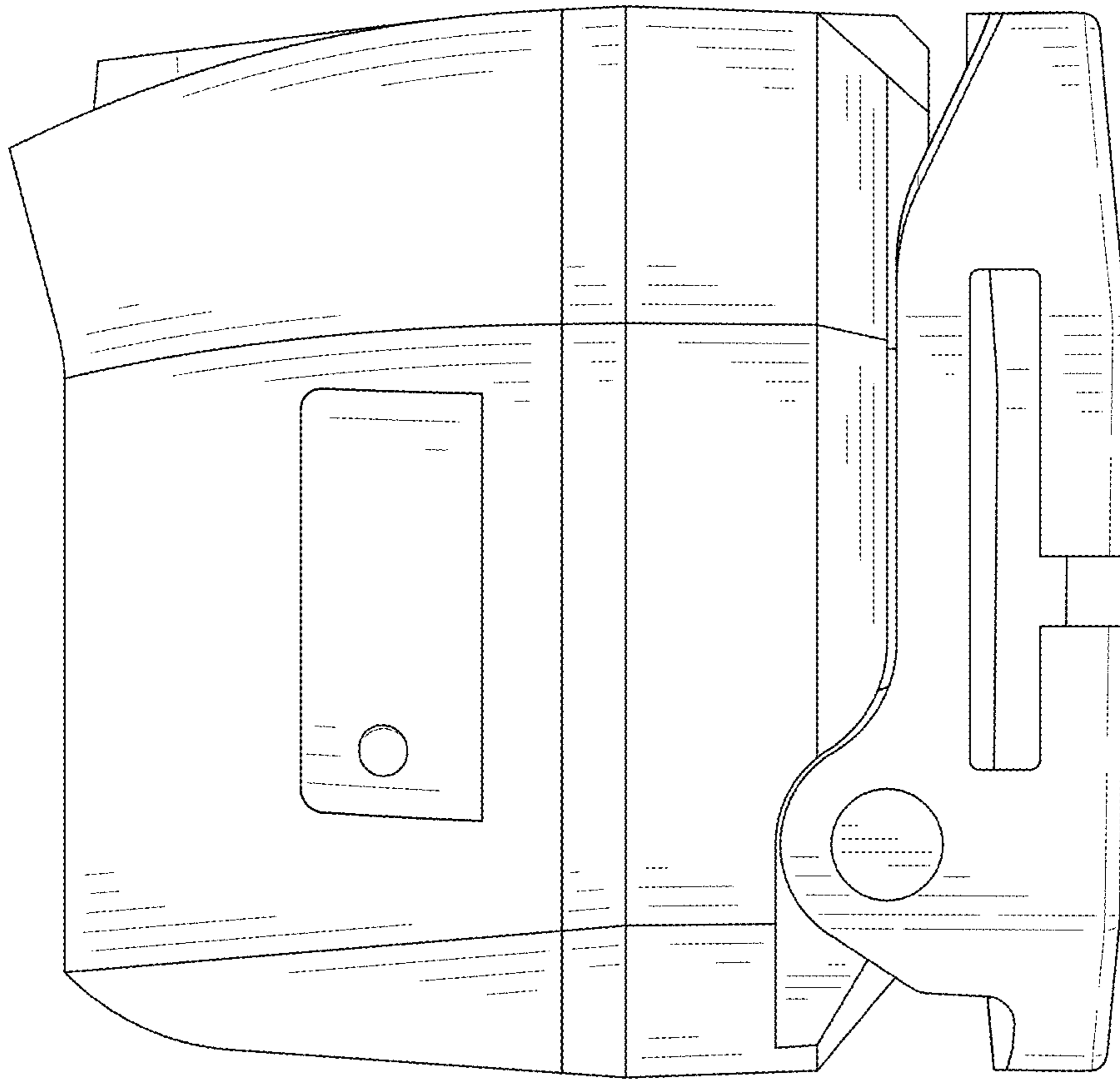


FIG. 6

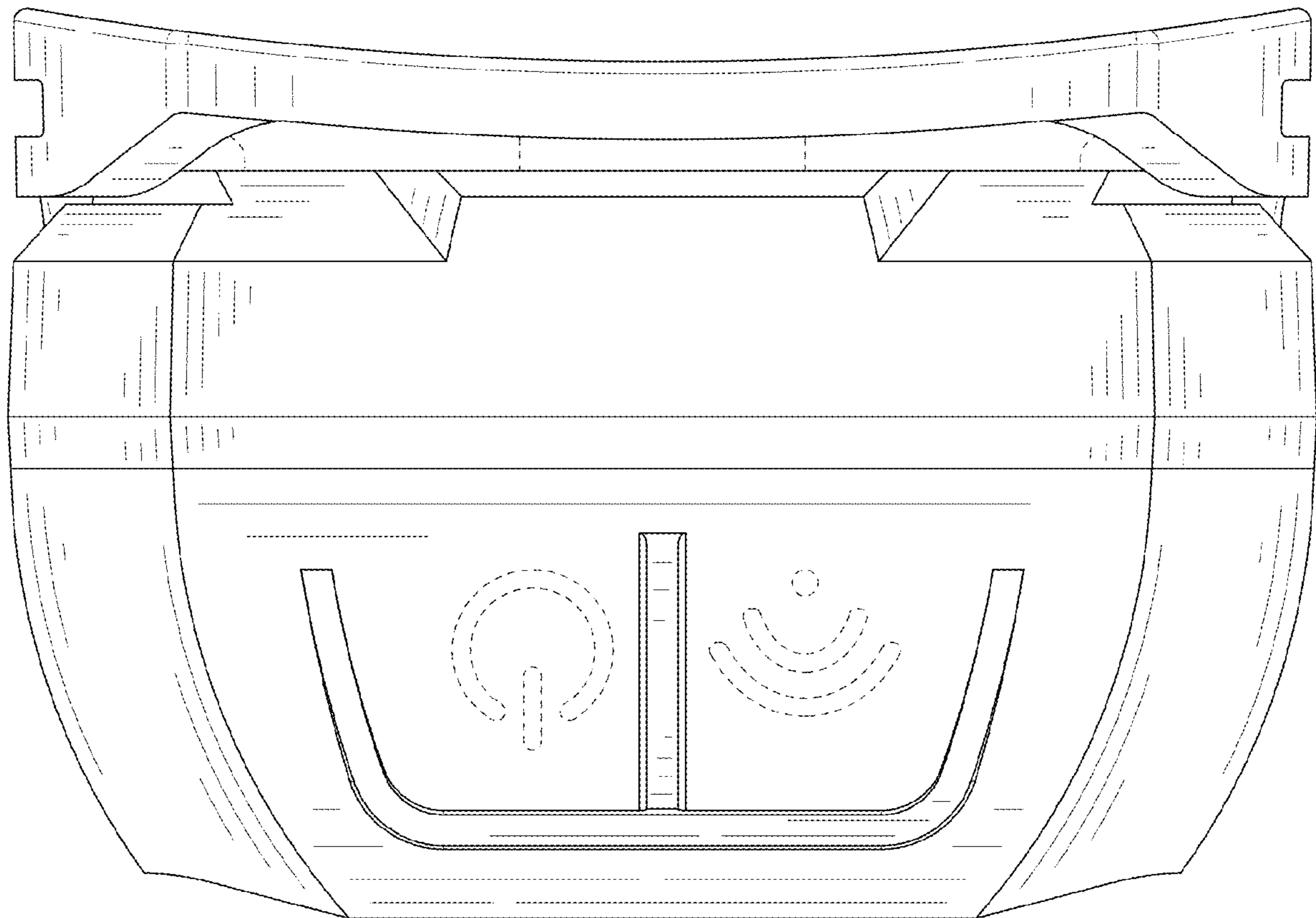


FIG. 7

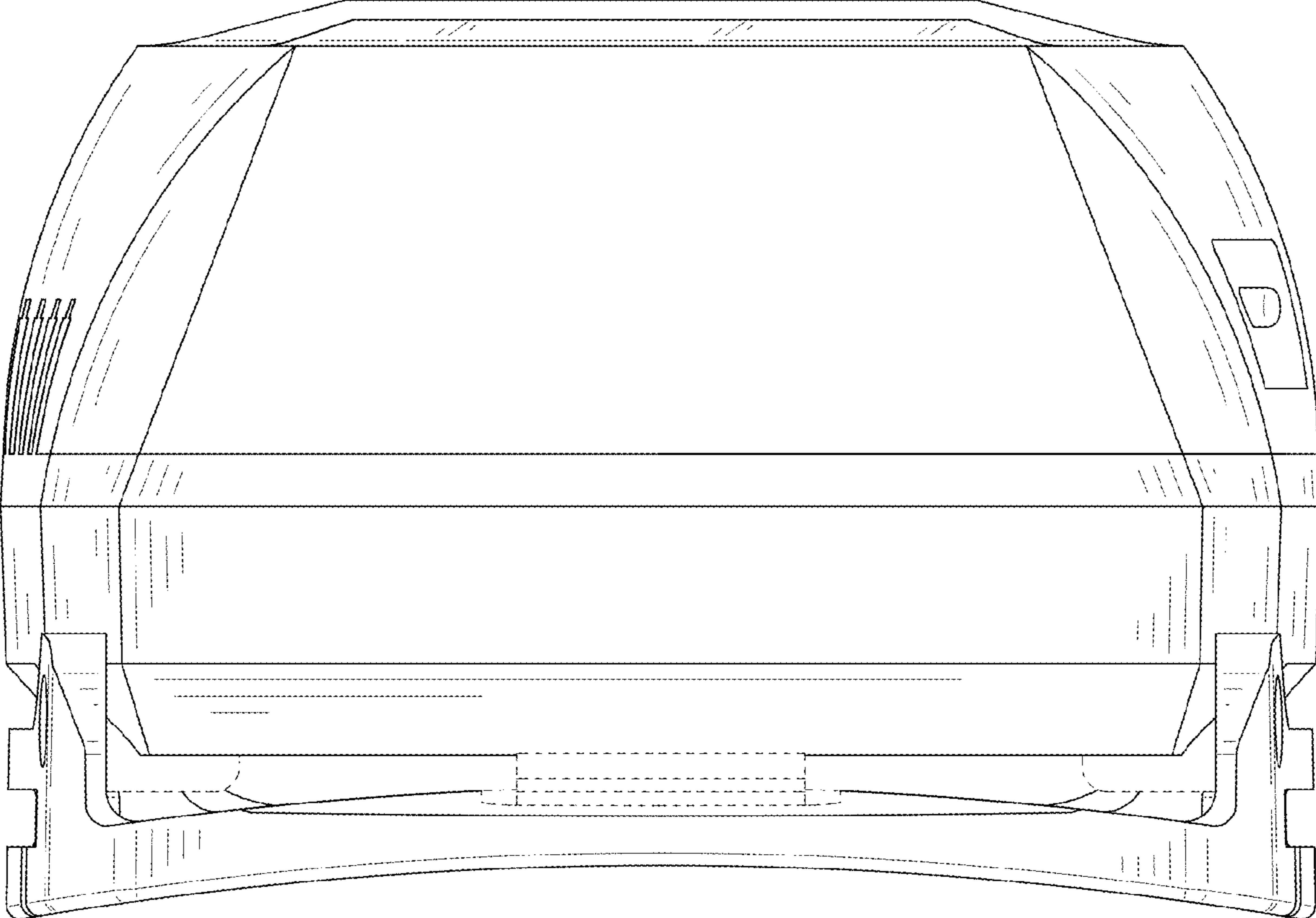


FIG. 8