

US00D967998S

(12) **United States Design Patent** (10) **Patent No.:** **US D967,998 S**
Staton (45) **Date of Patent:** **** *Oct. 25, 2022**

(54) **LIGHT WITH HOUSING**

(71) Applicant: **NEWTONOID TECHNOLOGIES, L.L.C.**, Liberty, MO (US)
(72) Inventor: **Fielding B. Staton**, Liberty, MO (US)
(73) Assignee: **Newtonoid Technologies, L.L.C.**, Liberty, MO (US)

(*) Notice: This patent is subject to a terminal disclaimer.

(**) Term: **15 Years**

(21) Appl. No.: **29/717,882**

(22) Filed: **Dec. 19, 2019**

(51) **LOC (13) Cl.** **26-02**

(52) **U.S. Cl.**
USPC **D26/37; D26/49**

(58) **Field of Classification Search**
USPC D26/9-10, 24, 37-52, 72-73, 113, D26/118-119, 123-124; D16/208, 209, D16/101, 211

CPC F21Y 2115/10; F21Y 2105/10; F21Y 2103/10; F21Y 2103/00; F21Y 2105/00; F21Y 2105/18; F21Y 2107/40; F21Y 2113/00; F21Y 2115/15; F21Y 2115/20; F21Y 2115/30; F21V 15/01; F21V 31/005; F21V 21/30; F21V 29/507; F21V 29/74; F21V 29/83; F21V 15/015; F21V 23/06; F21V 29/763; F21V 23/006; F21V 23/008; F21V 5/045; F21V 14/02; F21V 15/012; F21V 23/007; F21V 23/04; F21V 29/70; F21V 29/76; F21V 17/002; F21V 17/12; F21V 17/16; F21V 21/088; F21V 23/0471; F21V 25/12; F21V 29/67; F21V 29/77; F21V 29/89; F21V 3/062; F21V 5/04; F21V 11/14; F21V 13/02; F21V 14/065; F21V 17/164; F21V 21/02; F21V 21/025; F21V 21/04; F21V 21/0885; F21V 21/112; F21V 23/001; F21V 23/002; F21V 23/009; F21V 23/0414; F21V 23/0442; F21V 23/0464; F21V 29/60; F21V 29/773; F21V 29/87;

(Continued)

(56) **References Cited**

U.S. PATENT DOCUMENTS

D29,301 S * 9/1898 Fleming D26/24
D392,407 S * 3/1998 Johnson D26/104

(Continued)

FOREIGN PATENT DOCUMENTS

CN 202030502560.3 * 1/2021
JP D2016-7808 * 7/2017

Primary Examiner — Marissa J Cash

Assistant Examiner — William B Melliar

(74) *Attorney, Agent, or Firm* — Avek IP, LLC

(57) **CLAIM**

The ornamental design for a light with housing, as shown and described.

DESCRIPTION

FIG. 1 is a perspective view of a light with housing showing the new design.

FIG. 2 is a side view of the light with housing of FIG. 1, with all other sides being identical.

FIG. 3 is a top view of the light with housing of FIG. 1.

FIG. 4 is a bottom view of the light with housing of FIG. 1.

FIG. 5 is a perspective view of the light with housing of FIG. 1, shown in an alternate configuration.

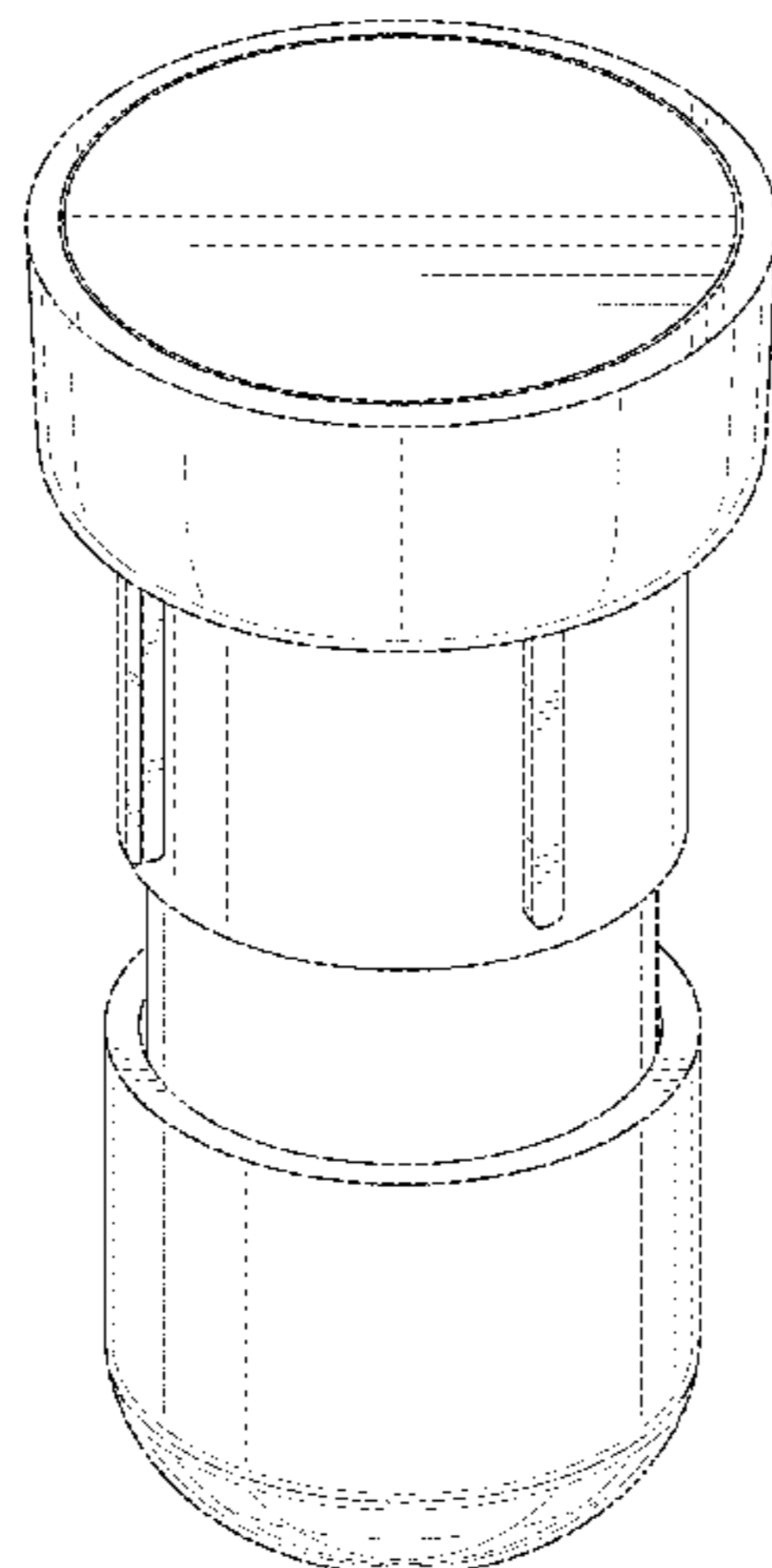
FIG. 6 is a side view of the light with housing of FIG. 1, shown in the alternate configuration, with all other sides being identical.

FIG. 7 is a top view of the light with housing of FIG. 1, shown in the alternate configuration; and,

FIG. 8 is a bottom view of the light with housing of FIG. 1, shown in the alternate configuration.

The dotted lines in the drawings depict portions of the light with housing that forms no part of the claimed design.

1 Claim, 8 Drawing Sheets



(58) **Field of Classification Search**

CPC F21V 31/00; F21V 33/006; F21V 3/00;
F21V 11/02; F21V 11/06; F21V 11/183;
F21V 14/003; F21V 14/025; F21V 14/04;
F21V 14/045; F21V 14/06; F21V 15/013;
F21V 17/00; F21V 17/02; F21V 17/107;
F21V 17/166; F21V 19/0015; F21V
19/003; F21V 19/04; F21V 21/00; F21V
21/046; F21V 21/047; F21V 21/084;
F21V 21/116; F21V 21/14; F21V 21/15;
F21V 21/32; F21V 21/40; F21V 23/003;
F21V 23/005; F21V 23/023; F21V
23/0428; F21V 23/0435; F21V 29/505;
F21V 29/56; F21V 29/58; F21V 29/59;
F21V 29/677; F21V 29/86; F21V
33/0004; F21V 33/0052; F21V 33/0084;
F21V 3/02; F21V 3/04; F21V 3/049;
F21V 5/006; F21V 5/007; F21V 5/048;
F21V 7/00; F21V 7/0016; F21V 7/0091;
F21V 7/04; F21V 7/26; F21V 7/28

See application file for complete search history.

(56)

References Cited

U.S. PATENT DOCUMENTS

D443,941	S *	6/2001	Boeckley	D26/67
D467,363	S *	12/2002	West	D19/2
D468,471	S *	1/2003	Chen	D26/67
D560,006	S *	1/2008	Garner	D26/37
D599,045	S *	8/2009	Castellucci	D26/37
D616,777	S *	6/2010	Jackson	D10/114.8
D655,841	S *	3/2012	Coleman, Jr.	D26/63
D791,852	S *	7/2017	Harding	D16/208
D874,044	S *	1/2020	Peng	D26/41
D903,182	S *	11/2020	Eads	D26/88
D903,183	S *	11/2020	Eads	D26/89
D918,433	S *	5/2021	Koptis	D26/9
D935,079	S *	11/2021	Staton	F21L 4/00 D26/49
D951,509	S *	5/2022	Staton	D26/49
2017/0130914	A1 *	5/2017	Gassauer	F21V 23/023

* cited by examiner

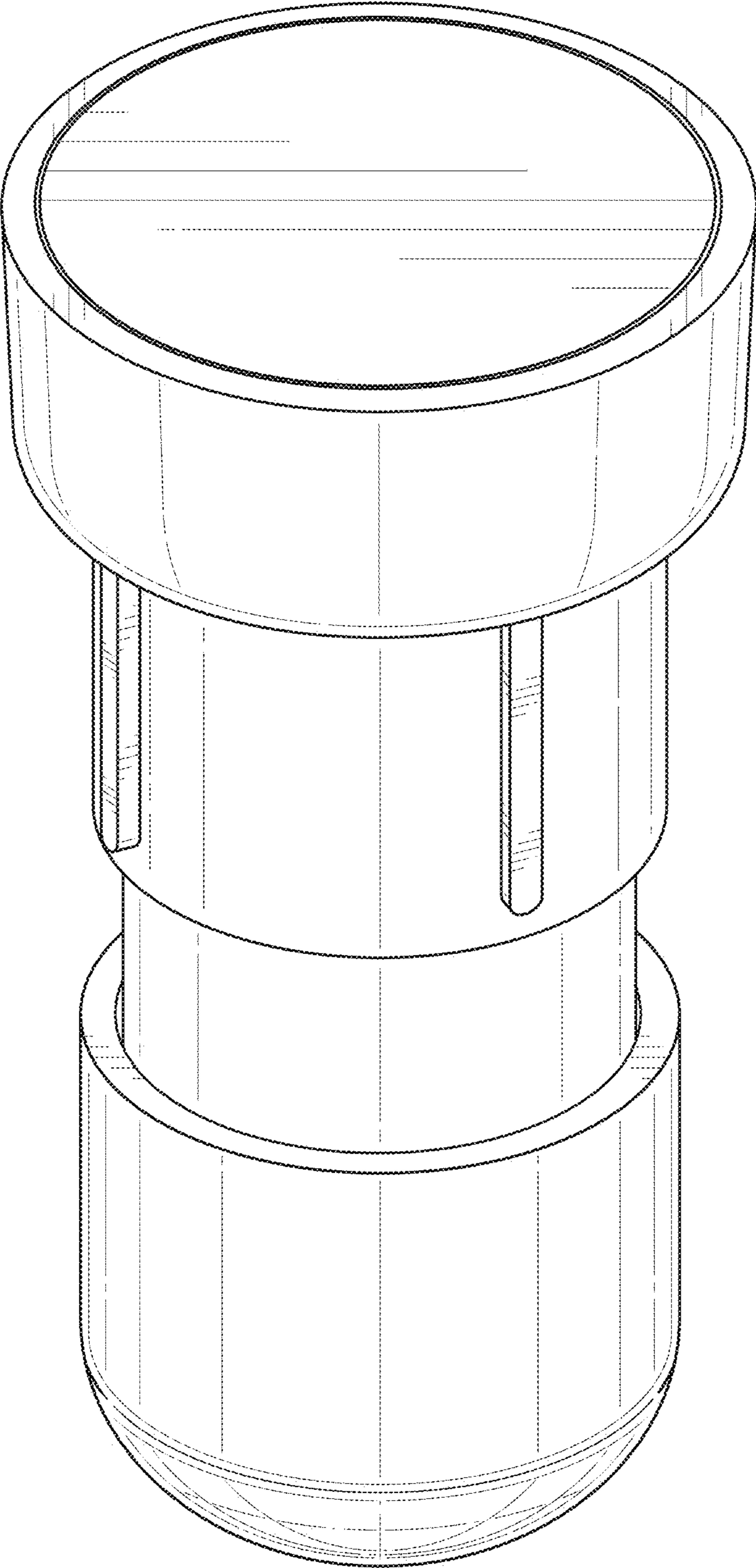


FIG. 1

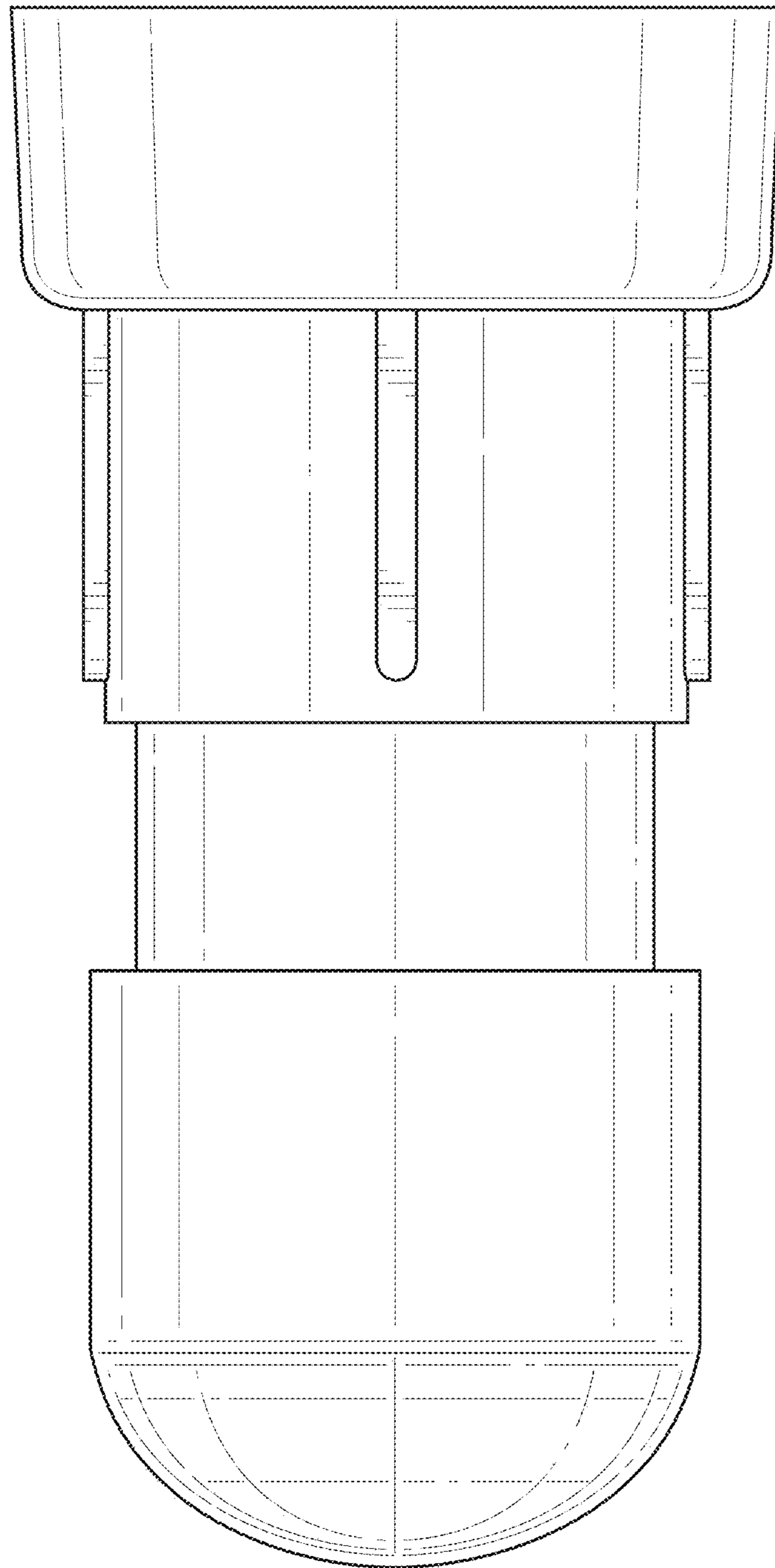


FIG. 2

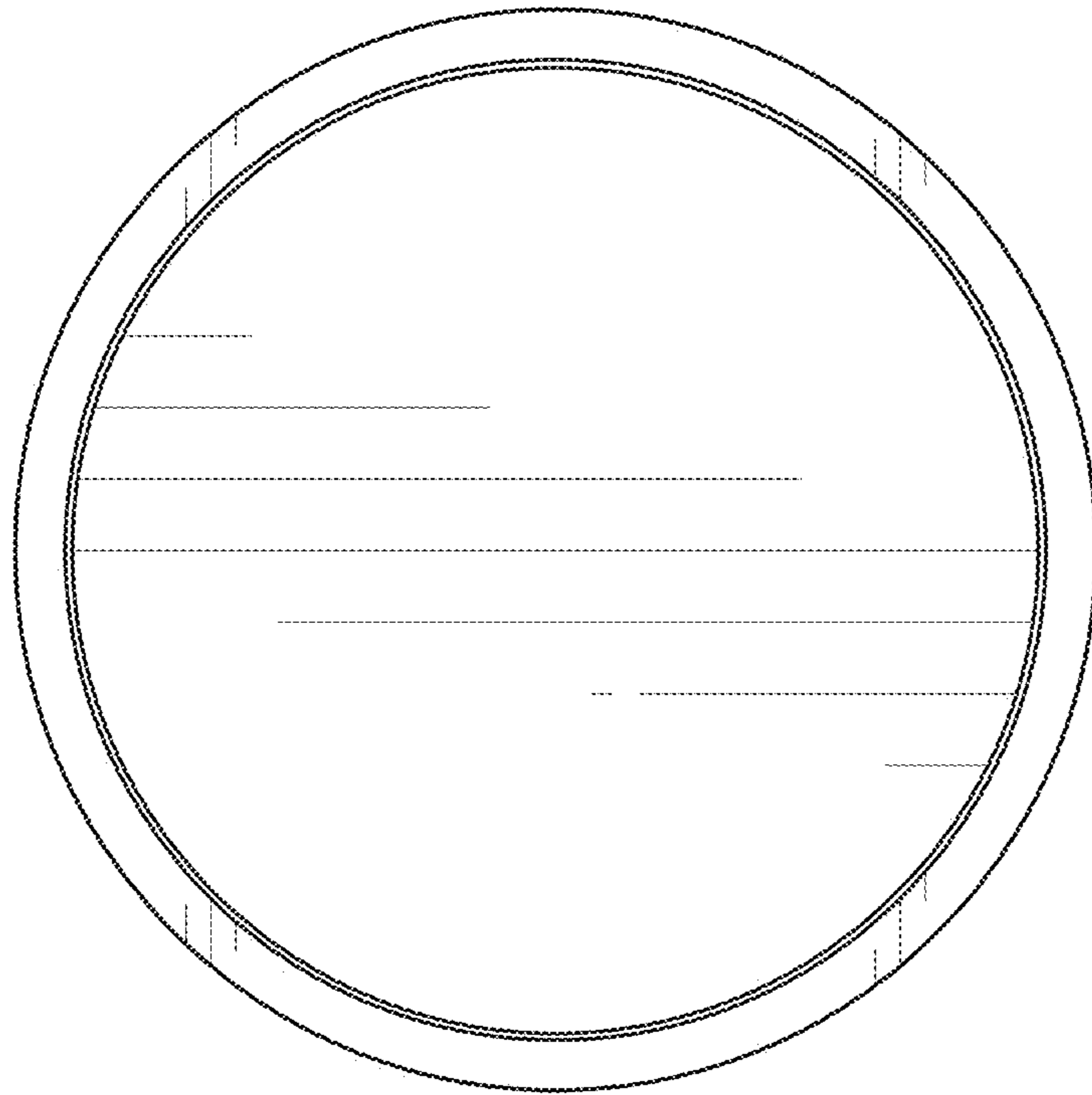


FIG. 3

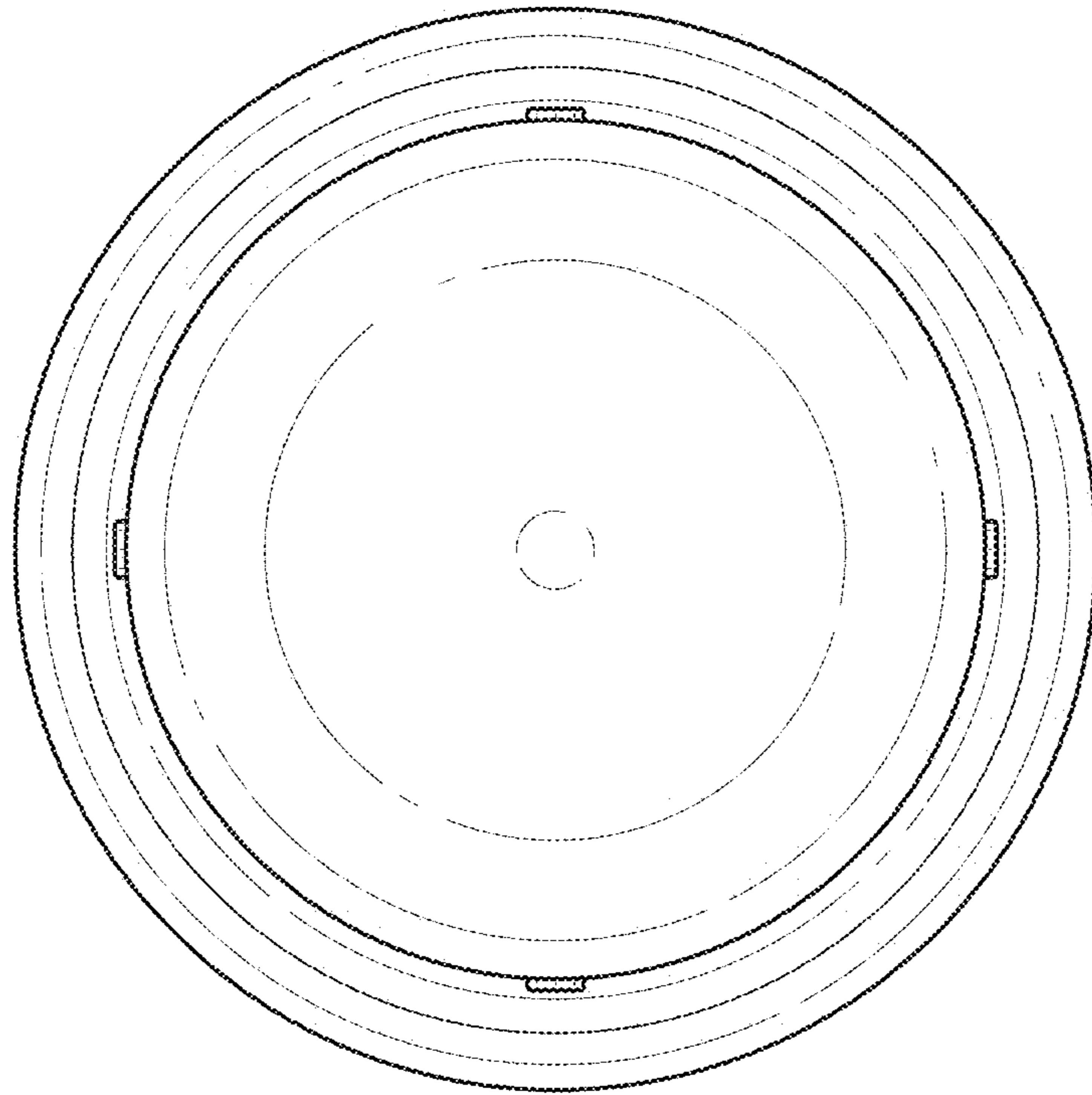


FIG. 4

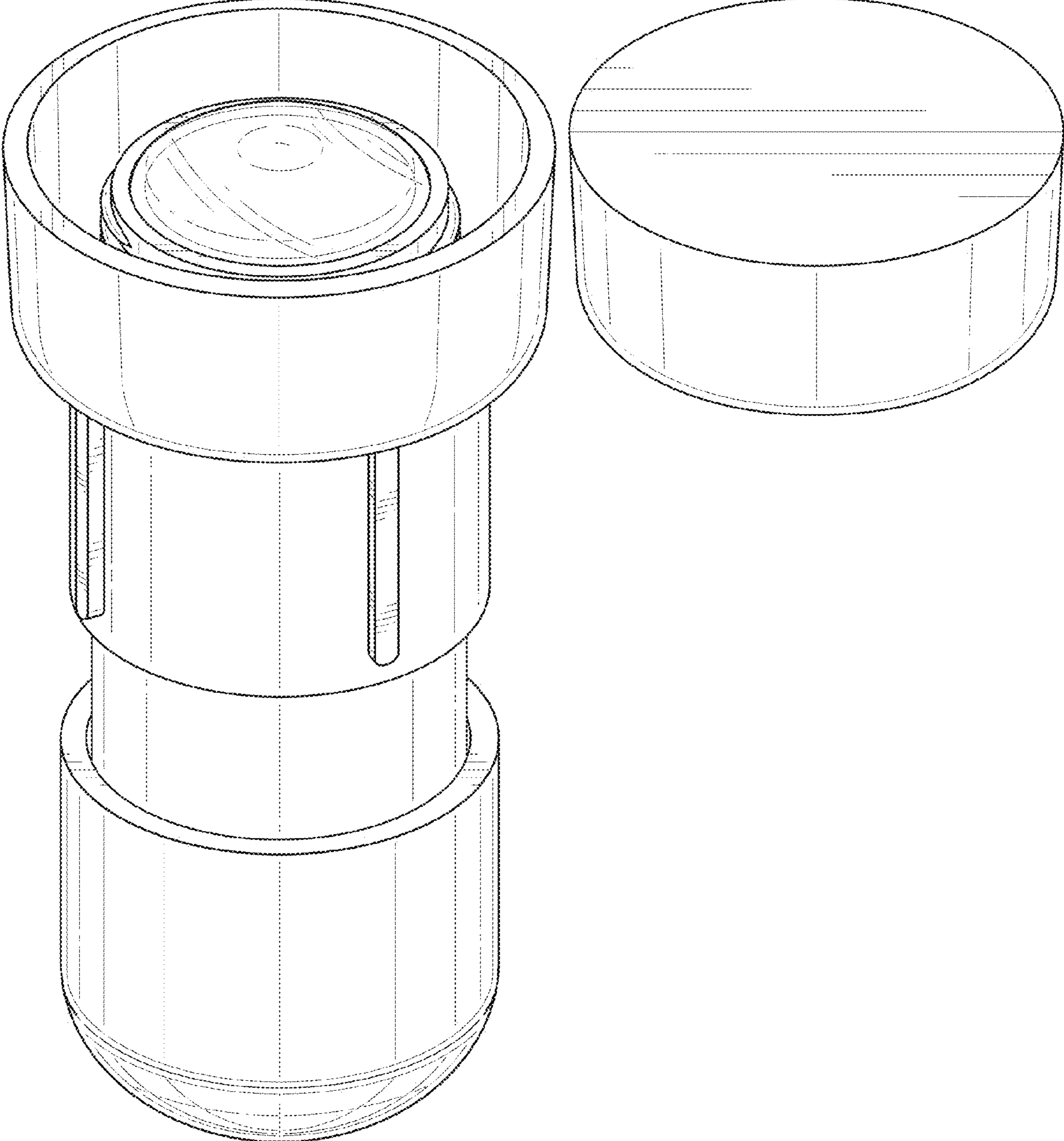


FIG. 5

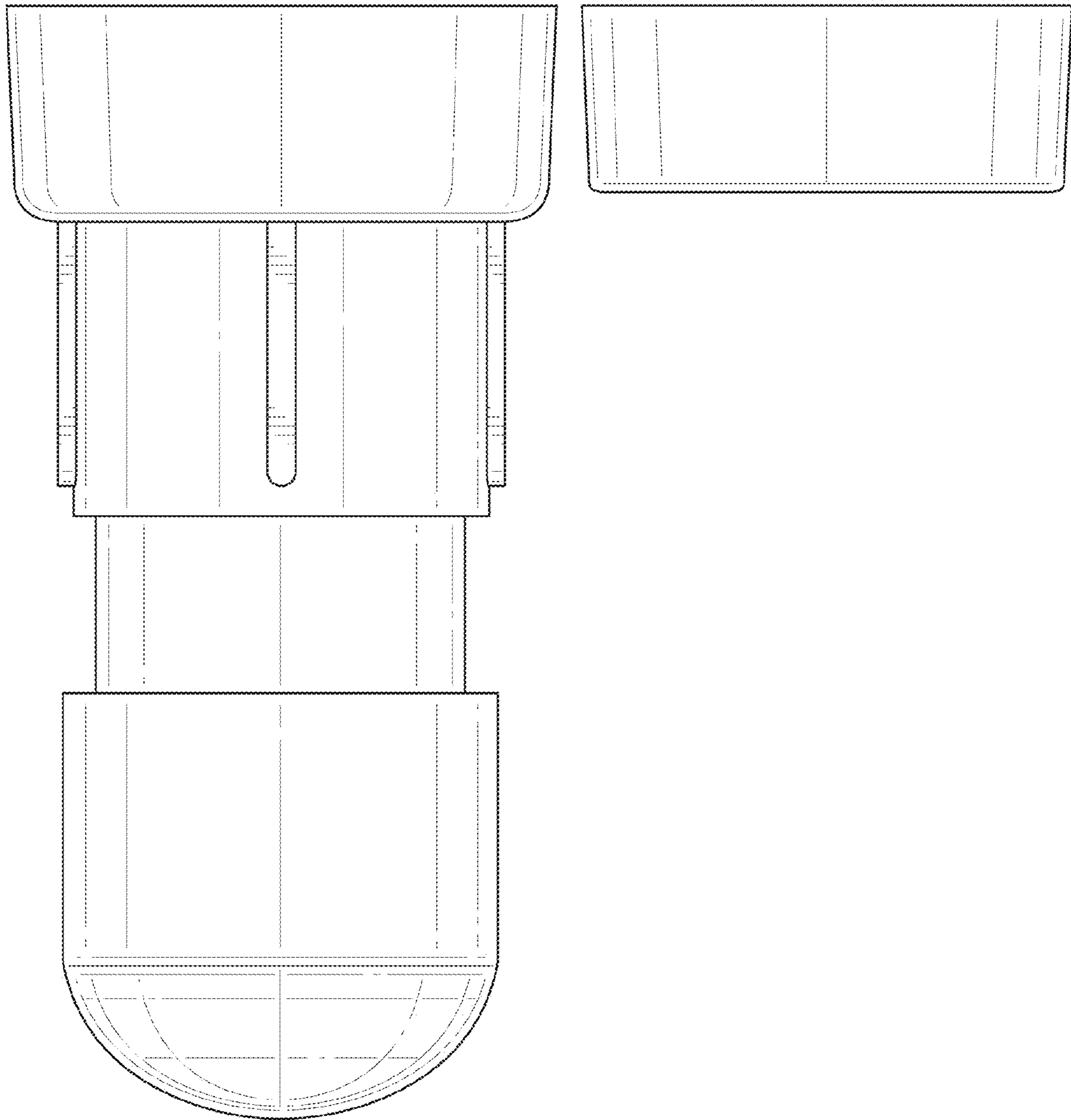


FIG. 6

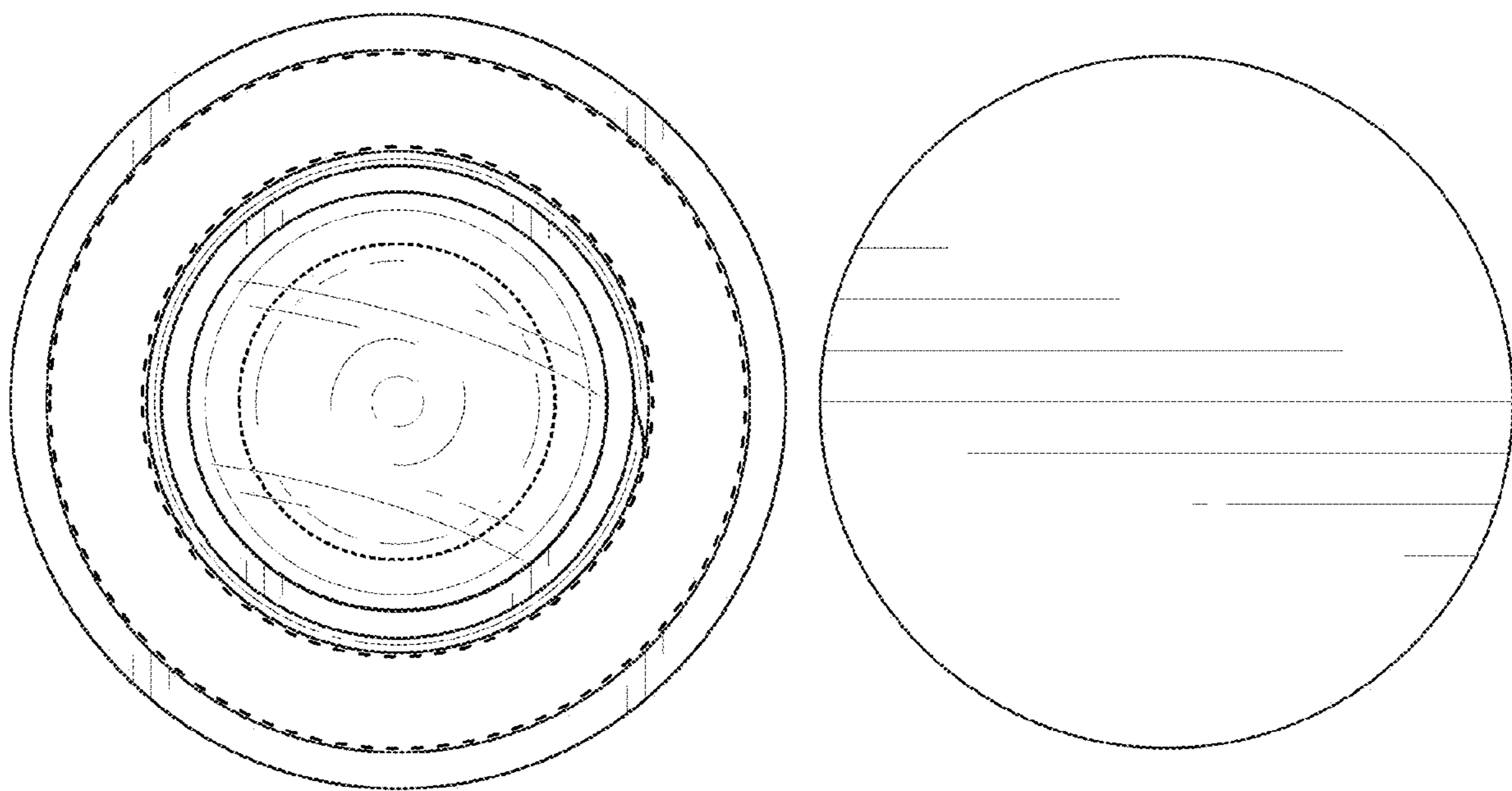


FIG. 7

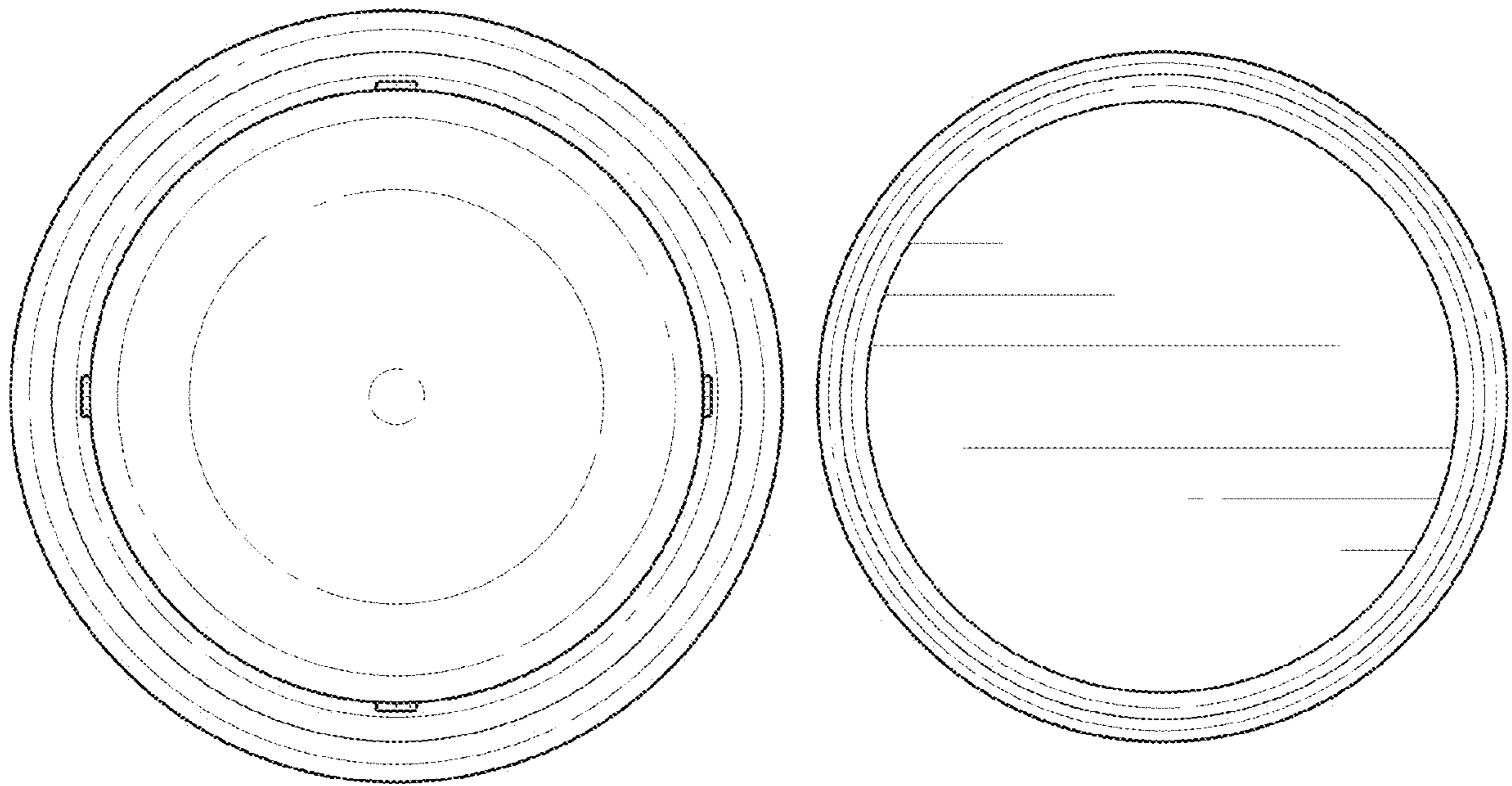


FIG. 8