



US00D967997S

(12) **United States Design Patent** (10) **Patent No.:** **US D967,997 S**
Staton (45) **Date of Patent:** **** *Oct. 25, 2022**

(54) **LIGHT WITH HOUSING**

23/002; F21V 23/009; F21V 23/0414;
F21V 23/0442; F21V 23/0464;

(71) Applicant: **NEWTONOID TECHNOLOGIES, L.L.C.**, Liberty, MO (US)

(Continued)

(72) Inventor: **Fielding B. Staton**, Liberty, MO (US)

(56) **References Cited**

(73) Assignee: **Newtonoid Technologies, L.L.C.**, Liberty, MO (US)

U.S. PATENT DOCUMENTS

(*) Notice: This patent is subject to a terminal disclaimer.

D29,301 S * 9/1898 Fleming D26/24
D392,407 S * 3/1998 Johnson D26/104

(Continued)

(**) Term: **15 Years**

FOREIGN PATENT DOCUMENTS

(21) Appl. No.: **29/717,880**

CN 202030502560.3 * 1/2021
JP D2016-7808 * 7/2017

(22) Filed: **Dec. 19, 2019**

Primary Examiner — Marissa J Cash

(51) **LOC (13) Cl.** **26-02**

Assistant Examiner — William B Melliar

(52) **U.S. Cl.**

(74) *Attorney, Agent, or Firm* — Avek IP, LLC

USPC **D26/37**; D26/49

(57) **CLAIM**

(58) **Field of Classification Search**

The ornamental design for a light with housing, as shown and described.

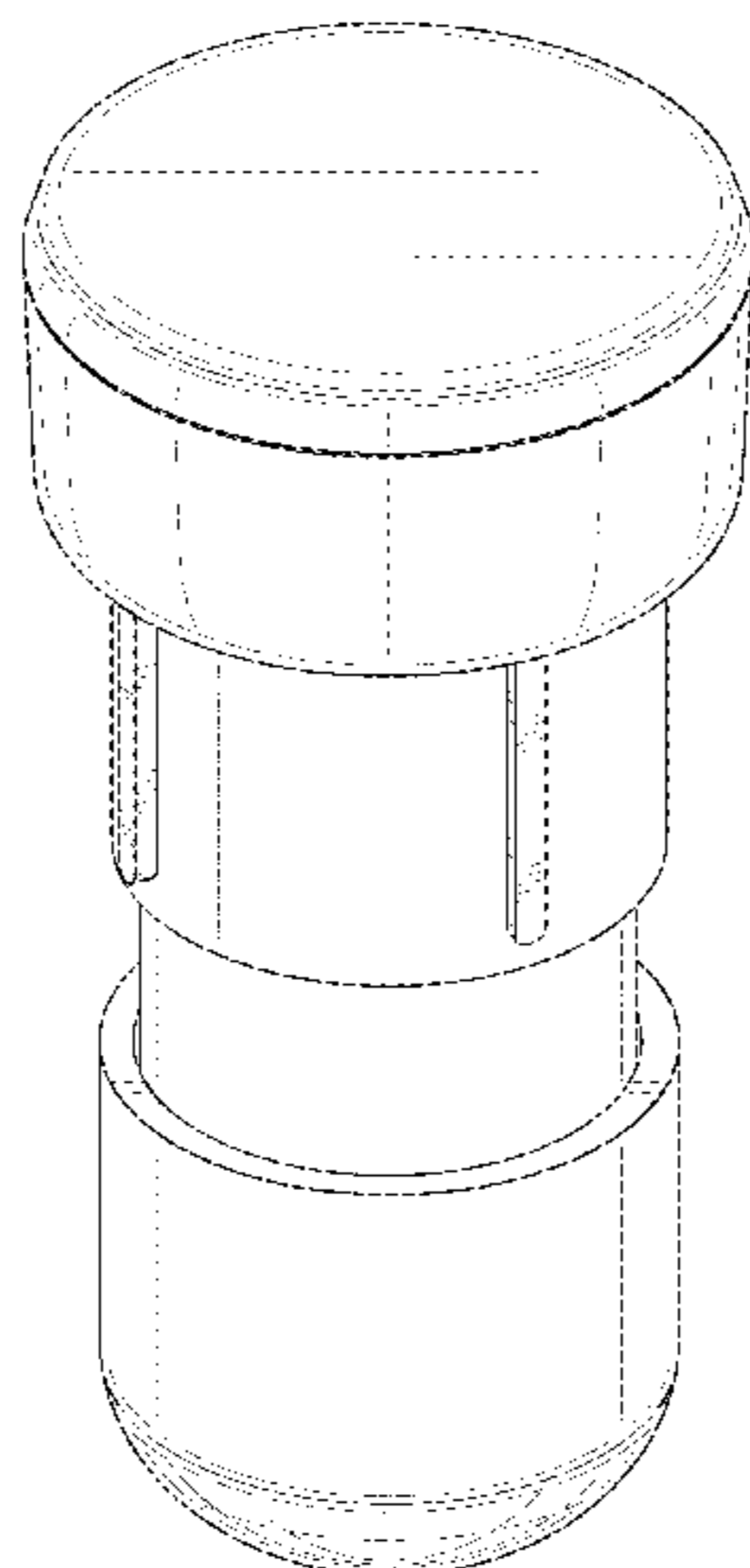
USPC D26/9–10, 24, 37–52, 72–73, 113,
D26/118–119, 123–124; D16/208, 209,
D16/101, 211

DESCRIPTION

CPC F21Y 2115/10; F21Y 2105/10; F21Y 2103/10; F21Y 2103/00; F21Y 2105/00; F21Y 2105/18; F21Y 2107/40; F21Y 2113/00; F21Y 2115/15; F21Y 2115/20; F21Y 2115/30; F21V 15/01; F21V 31/005; F21V 21/30; F21V 29/507; F21V 29/74; F21V 29/83; F21V 15/015; F21V 23/06; F21V 29/763; F21V 23/006; F21V 23/008; F21V 5/045; F21V 14/02; F21V 15/012; F21V 23/007; F21V 23/04; F21V 29/70; F21V 29/76; F21V 17/002; F21V 17/12; F21V 17/16; F21V 21/088; F21V 23/0471; F21V 25/12; F21V 29/67; F21V 29/77; F21V 29/89; F21V 3/062; F21V 5/04; F21V 11/14; F21V 13/02; F21V 14/065; F21V 17/164; F21V 21/02; F21V 21/025; F21V 21/04; F21V 21/0885; F21V 21/112; F21V 23/001; F21V

FIG. 1 is a perspective view of a light with housing showing the new design.
FIG. 2 is a side view of the light with housing of FIG. 1, with all other sides being identical.
FIG. 3 is a top view of the light with housing of FIG. 1.
FIG. 4 is a bottom view of the light with housing of FIG. 1.
FIG. 5 is a perspective view of the light with housing of FIG. 1, shown in an alternate configuration.
FIG. 6 is a side view of the light with housing of FIG. 1, shown in the alternate configuration, with all other sides being identical.
FIG. 7 is a top view of the light with housing of FIG. 1, shown in the alternate configuration; and,
FIG. 8 is a bottom view of the light with housing of FIG. 1, shown in the alternate configuration.

(Continued)



The dotted lines in the drawings depict portions of the light with housing that forms no part of the claimed design

1 Claim, 8 Drawing Sheets

(58) Field of Classification Search

CPC F21V 29/60; F21V 29/773; F21V 29/87;
F21V 31/00; F21V 33/006; F21V 3/00;
F21V 11/02; F21V 11/06; F21V 11/183;
F21V 14/003; F21V 14/025; F21V 14/04;
F21V 14/045; F21V 14/06; F21V 15/013;
F21V 17/00; F21V 17/02; F21V 17/107;
F21V 17/166; F21V 19/0015; F21V
19/003; F21V 19/04; F21V 21/00; F21V
21/046; F21V 21/047; F21V 21/084;
F21V 21/116; F21V 21/14; F21V 21/15;
F21V 21/32; F21V 21/40; F21V 23/003;
F21V 23/005; F21V 23/023; F21V
23/0428; F21V 23/0435; F21V 29/505;
F21V 29/56; F21V 29/58; F21V 29/59;
F21V 29/677; F21V 29/86; F21V
33/0004; F21V 33/0052; F21V 33/0084;
F21V 3/02; F21V 3/04; F21V 3/049;

(56)

F21V 5/006; F21V 5/007; F21V 5/048;
F21V 7/00; F21V 7/0016; F21V 7/0091;
F21V 7/04; F21V 7/26; F21V 7/28

See application file for complete search history.

References Cited

U.S. PATENT DOCUMENTS

D443,941 S * 6/2001 Boeckley D26/67
D467,363 S * 12/2002 West D19/2
D468,471 S * 1/2003 Chen D26/67
D560,006 S * 1/2008 Garner D26/37
D599,045 S * 8/2009 Castellucci D26/37
D616,777 S * 6/2010 Jackson D10/114.8
D655,841 S * 3/2012 Coleman, Jr. D26/63
D791,852 S * 7/2017 Harding D16/208
D874,044 S * 1/2020 Peng D26/41
D903,182 S * 11/2020 Eads D26/88
D903,183 S * 11/2020 Eads D26/89
D918,433 S * 5/2021 Koptis D26/9
D935,079 S * 11/2021 Staton F21L 4/00
D26/49
D951,509 S * 5/2022 Staton D26/49
2017/0130914 A1 * 5/2017 Gassauer F21V 23/023

* cited by examiner

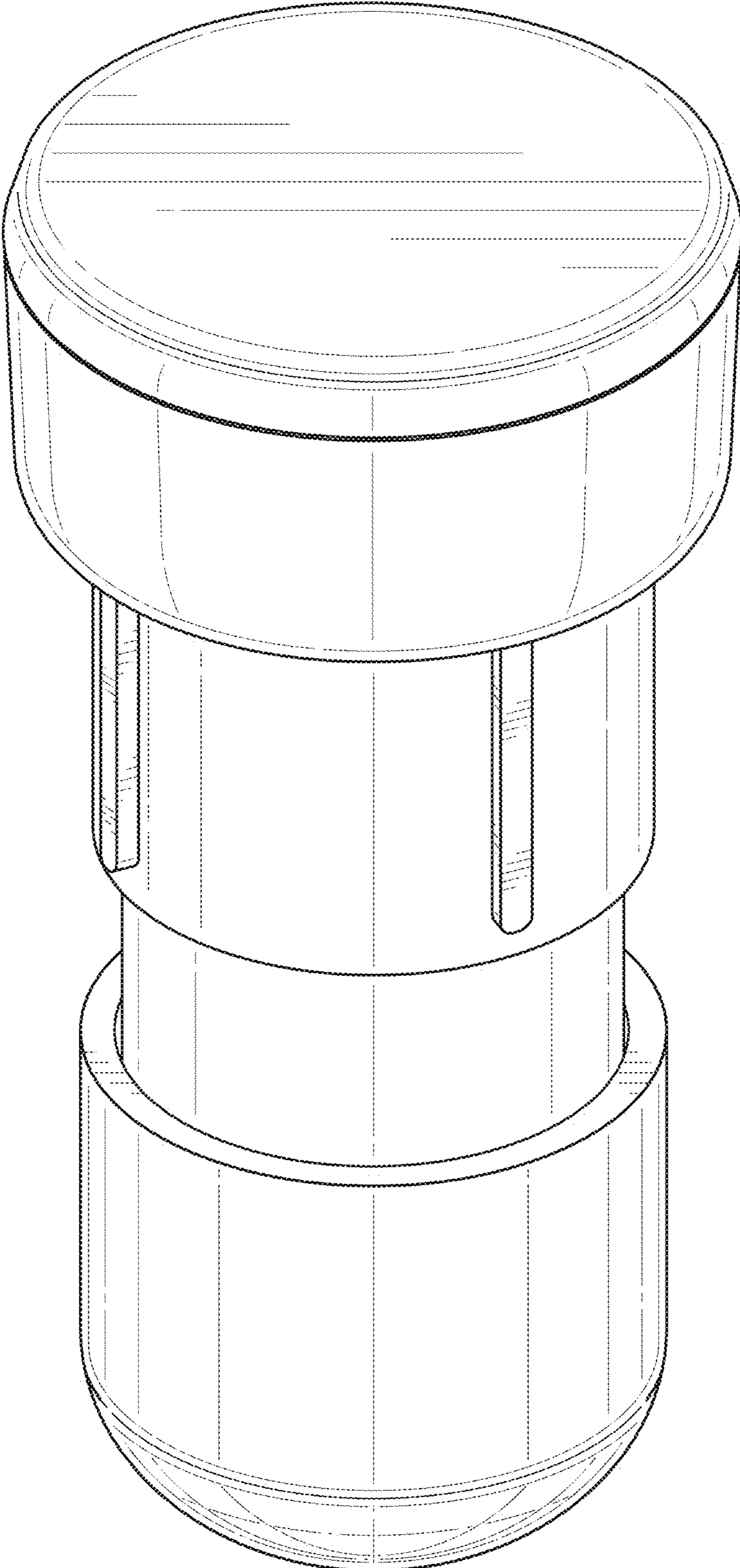


FIG. 1

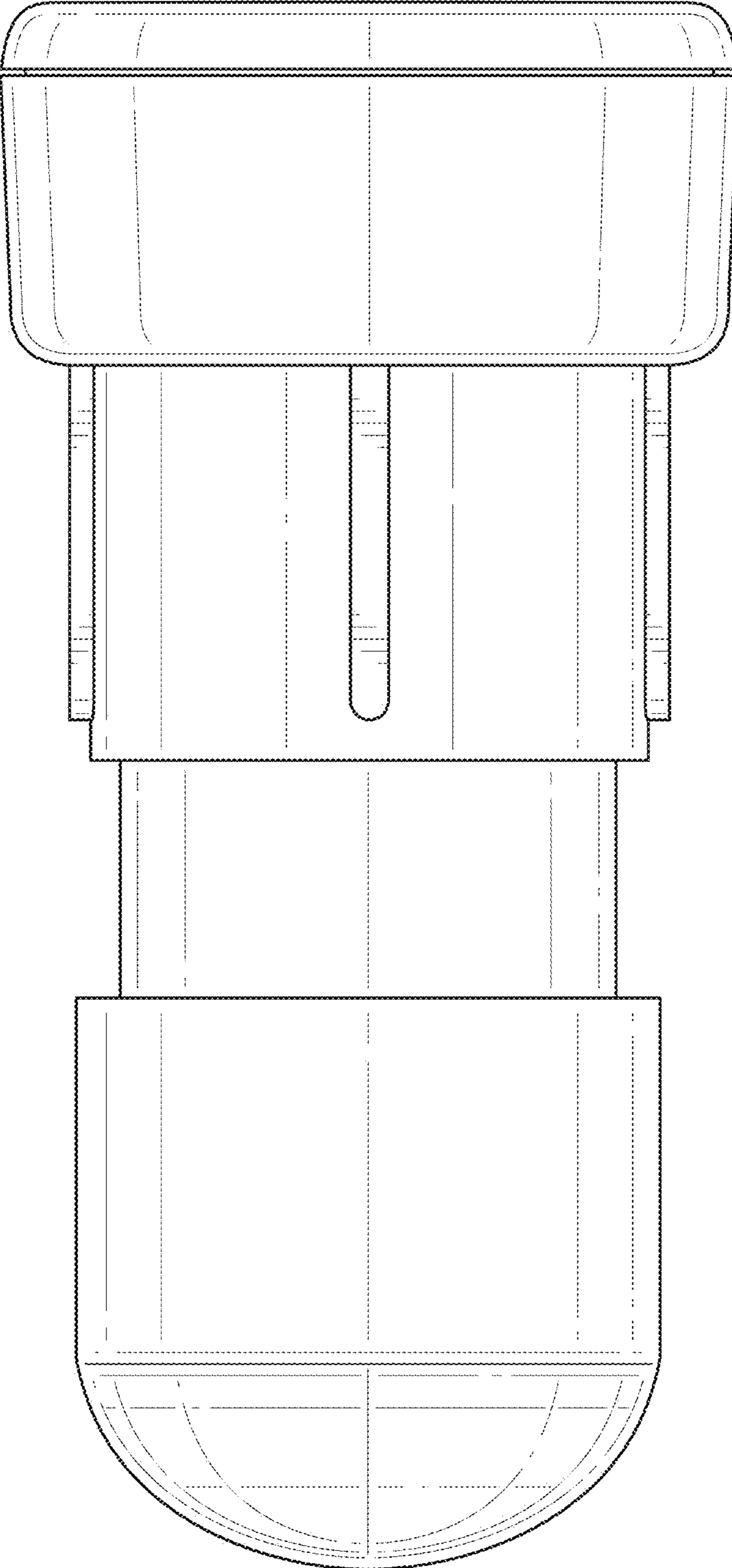


FIG. 2

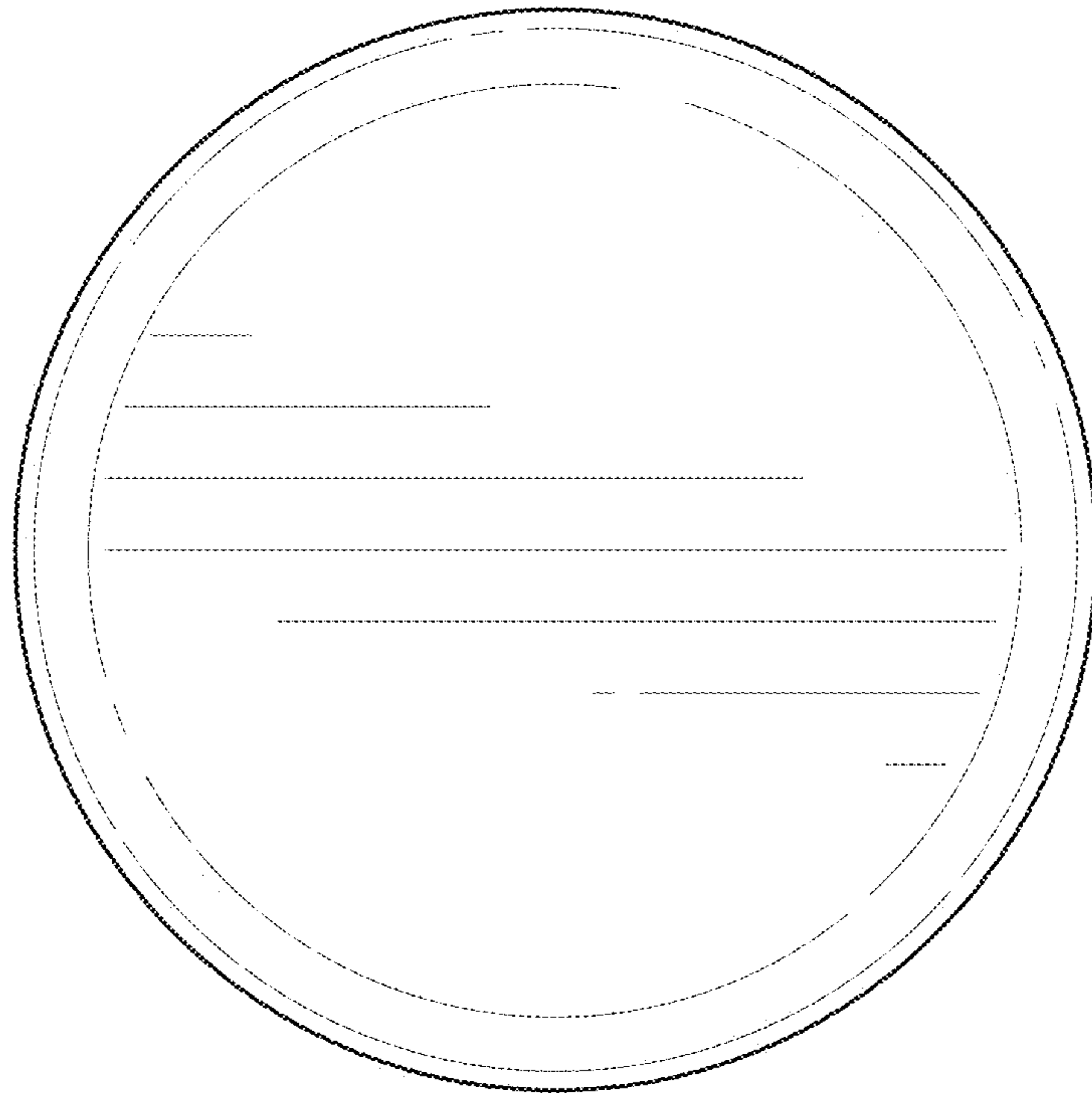


FIG. 3

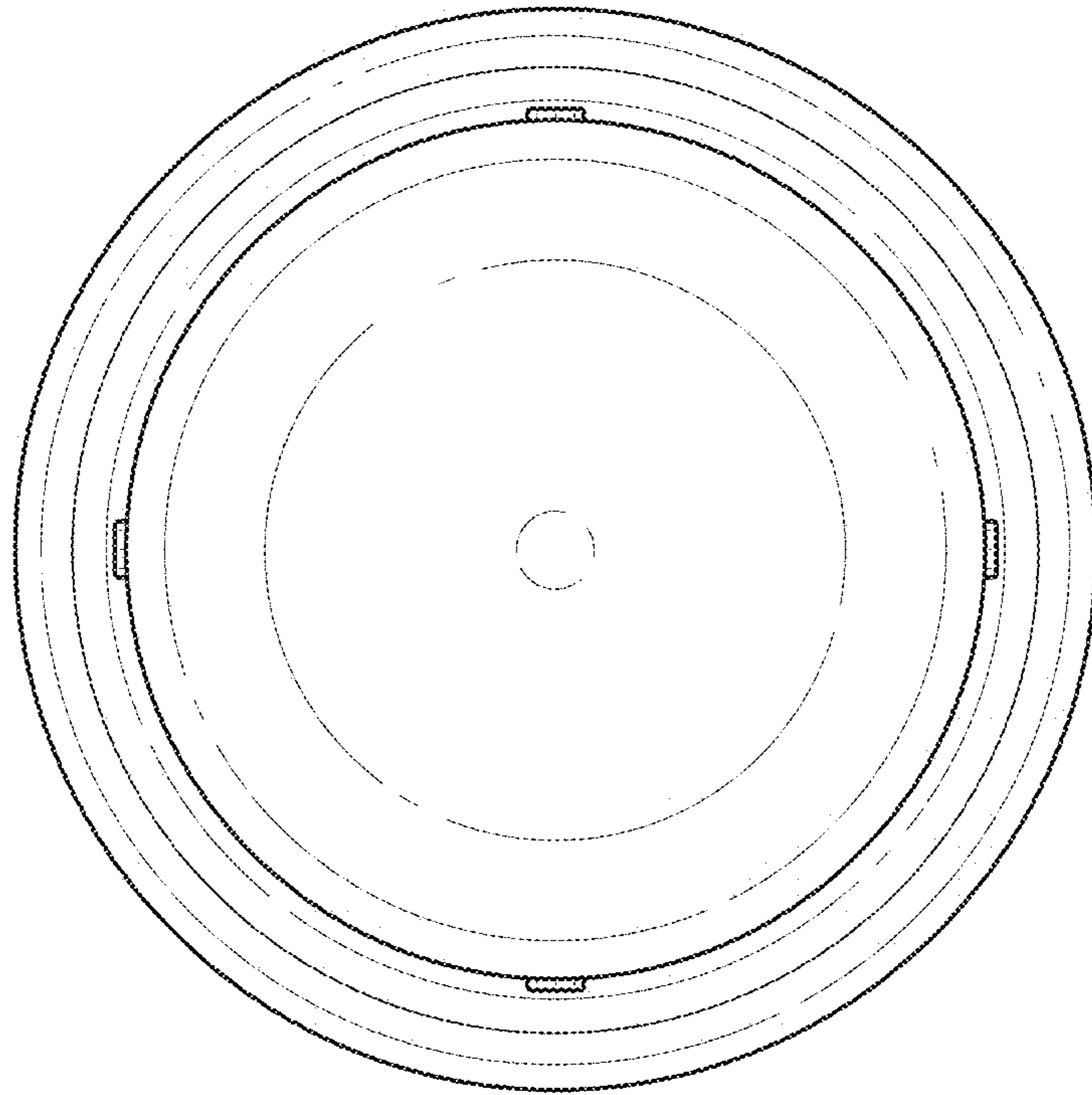


FIG. 4

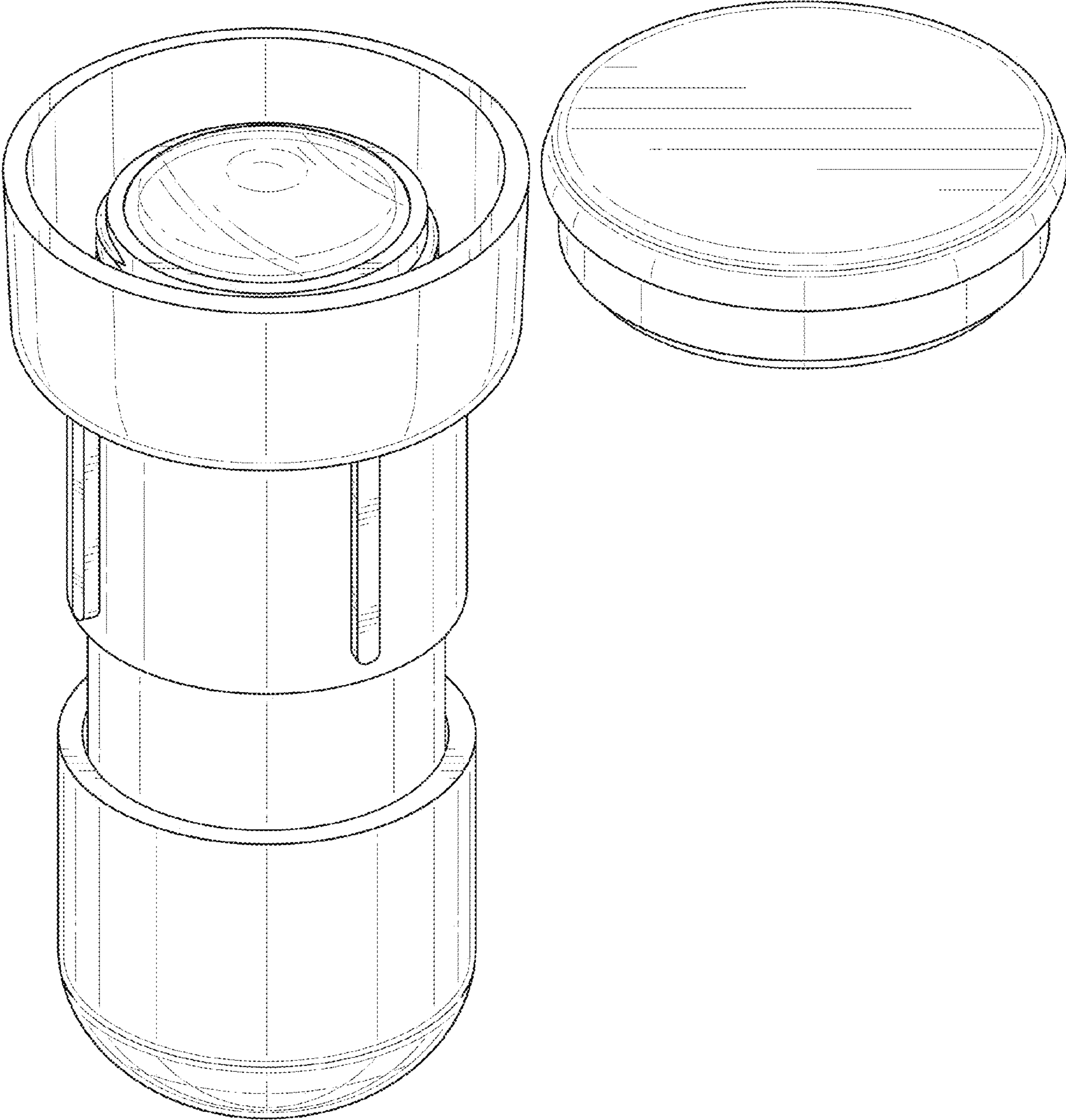


FIG. 5

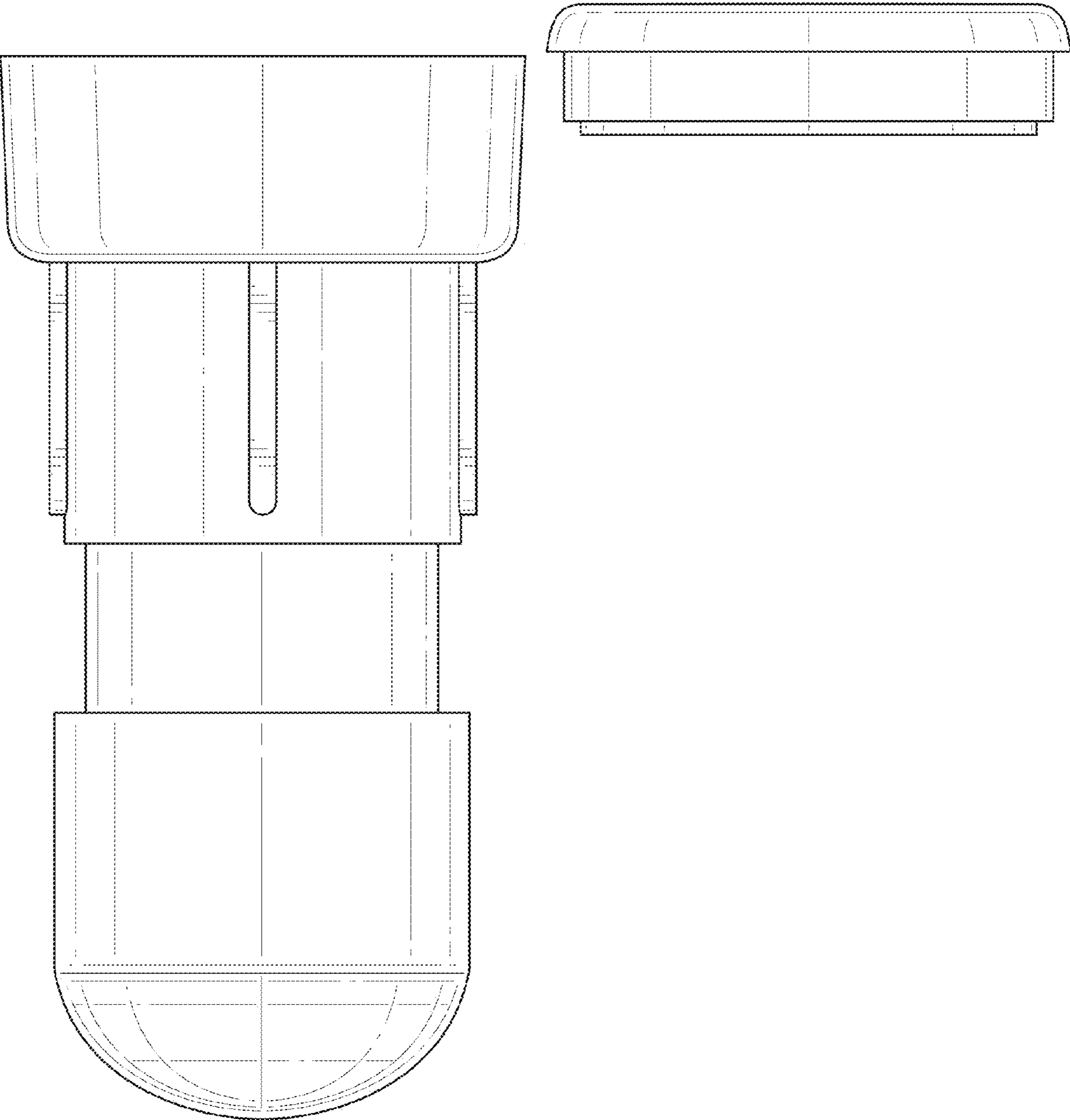


FIG. 6

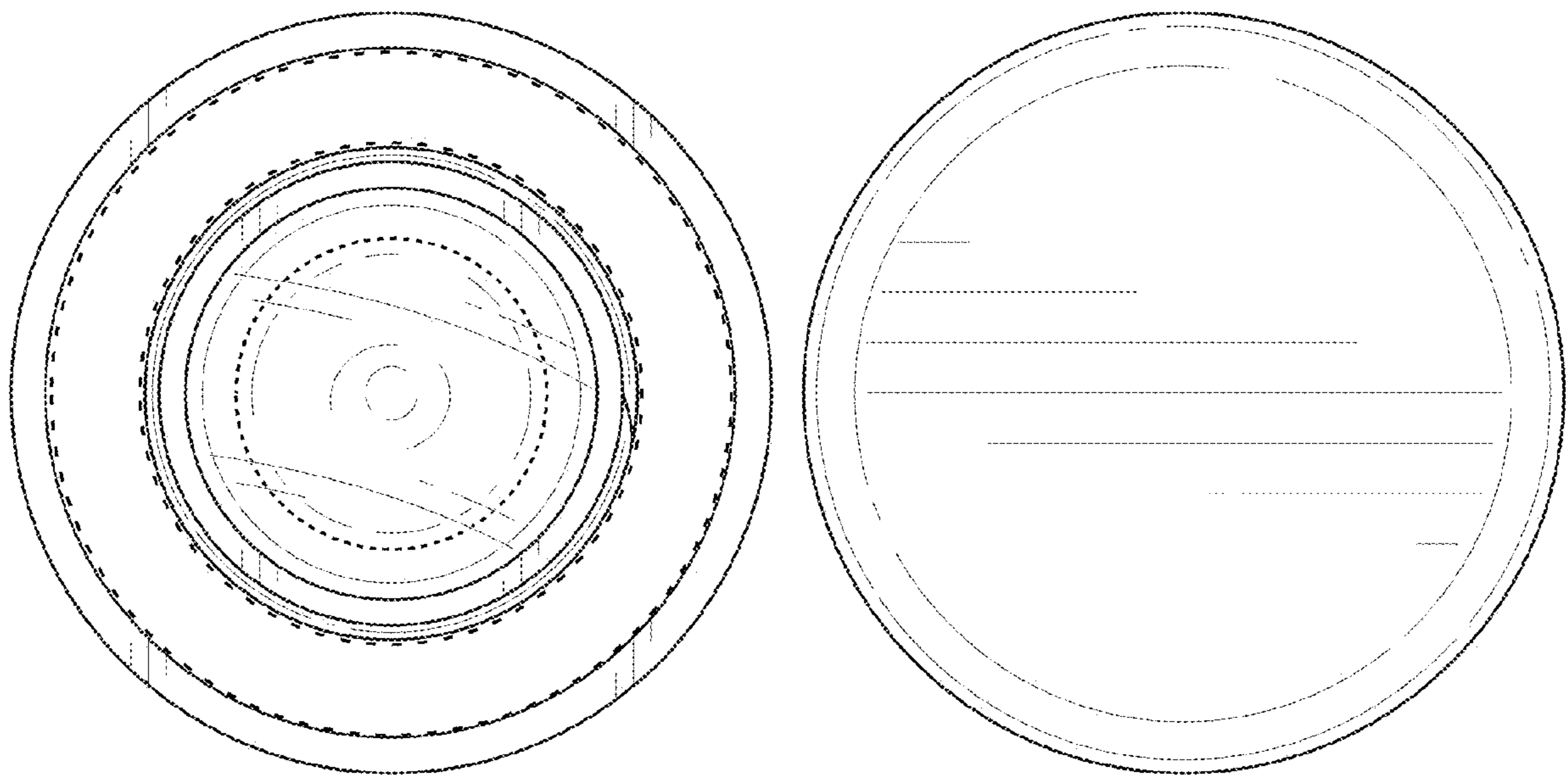


FIG. 7

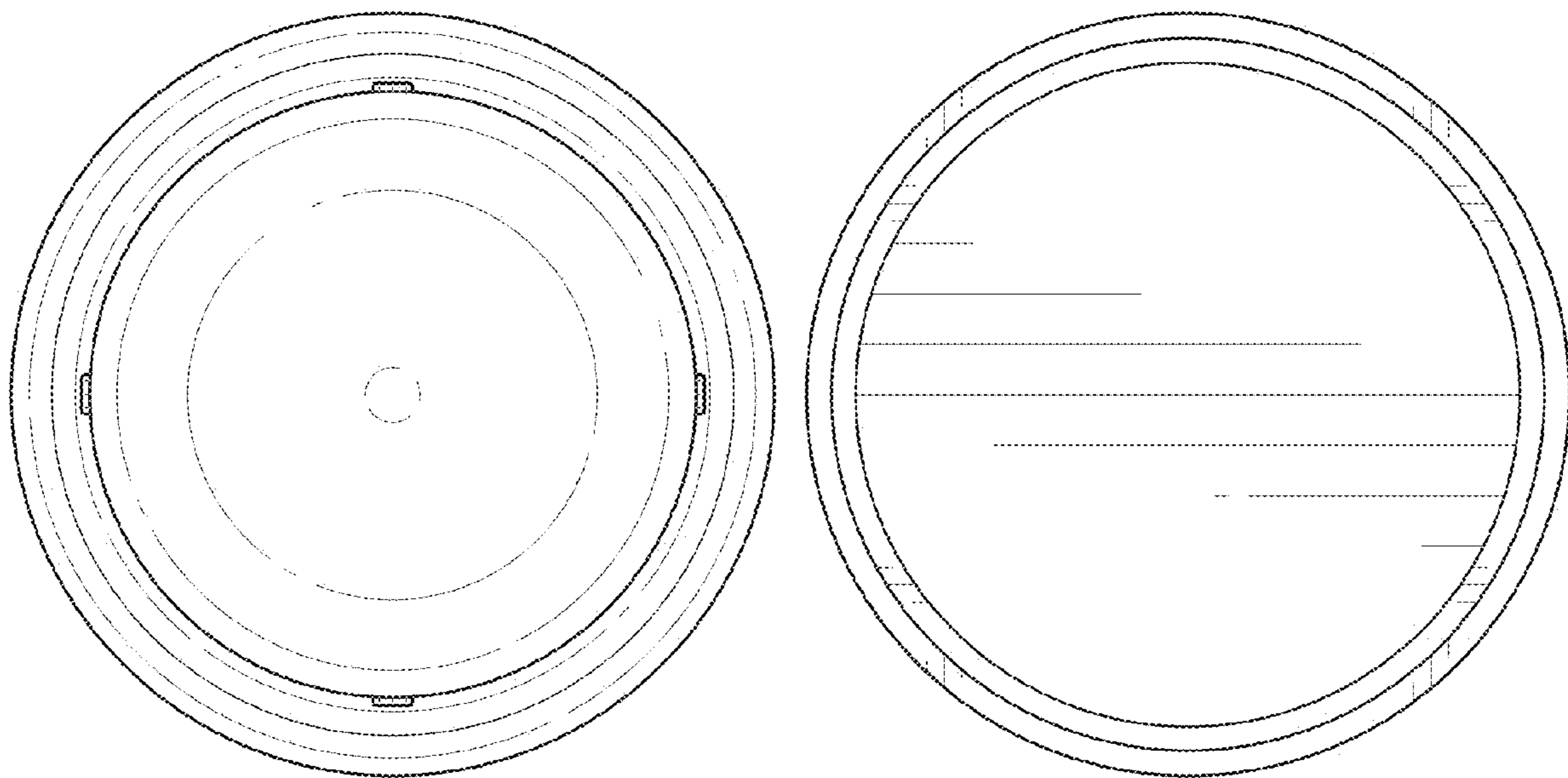


FIG. 8