

US00D967995S

(12) **United States Design Patent** (10) **Patent No.:** **US D967,995 S**
Patel (45) **Date of Patent:** **** Oct. 25, 2022**

(54) **VEHICLE FRONT HEADLAMP**
(71) Applicant: **JAGUAR LAND ROVER LIMITED**,
Coventry (GB)
(72) Inventor: **Paven Patel**, Coventry (GB)
(73) Assignee: **JAGUAR LAND ROVER LIMITED**,
Coventry (GB)
(**) Term: **15 Years**
(21) Appl. No.: **29/762,807**
(22) Filed: **Dec. 18, 2020**
(30) **Foreign Application Priority Data**

Jun. 29, 2020 (EM) 008026389-0001
(51) **LOC (13) Cl.** **26-06**
(52) **U.S. Cl.**
USPC **D26/28**
(58) **Field of Classification Search**
CPC F21S 48/00; F21S 48/10; F21S 48/115;
F21S 48/225; F21S 48/1233; F21S
48/1266; F21S 48/1388; F21S 48/2268;
F21V 5/00; F21V 21/04; F21V 29/004;
B60Q 9/13; B60Q 9/135; B60Q 9/1375;
F21W 2102/17; F21W 2103/35; F21W
2103/55; F21W 2103/00; F21W 2107/13;
F21W 2107/17

See application file for complete search history.

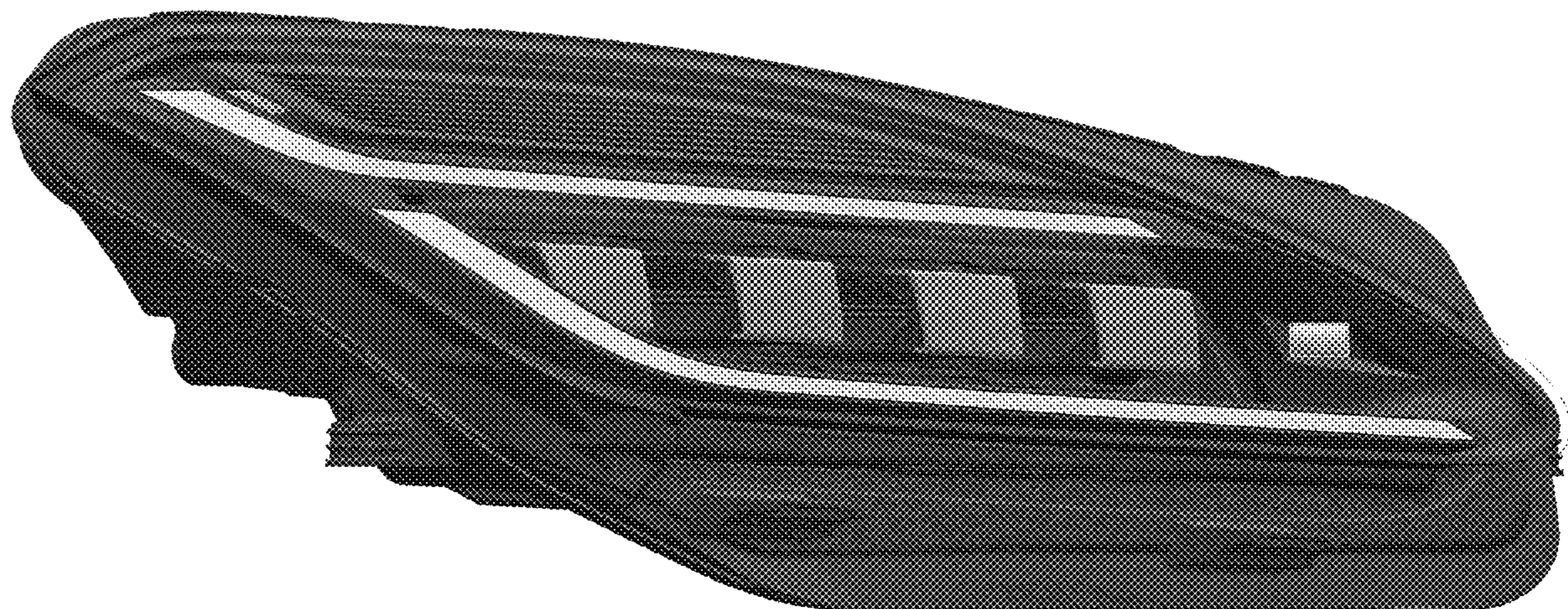
(56) **References Cited**
U.S. PATENT DOCUMENTS
D785,829 S * 5/2017 Park D26/28
D797,965 S * 9/2017 Matsumoto D26/28
D819,851 S * 6/2018 Munakata D26/28
D833,658 S * 11/2018 Lee D26/28

* cited by examiner
Primary Examiner — Marcus A Jackson
(74) *Attorney, Agent, or Firm* — Reising Ethington P.C.

(57) **CLAIM**
The ornamental design for a vehicle front headlamp, as shown and described.

DESCRIPTION
FIG. 1 is a frontside perspective view of the vehicle front headlamp residing on a passenger-side of a vehicle (the driver-side vehicle front headlamp being a mirror image of this passenger-side vehicle front headlamp);
FIG. 2 is a front view thereof;
FIG. 3 is a right side view thereof;
FIG. 4 is a left side view thereof;
FIG. 5 is a top view thereof;
FIG. 6 is a bottom view thereof;
FIG. 7 is a rearside perspective view thereof; and,
FIG. 8 is a rear view thereof.

1 Claim, 8 Drawing Sheets



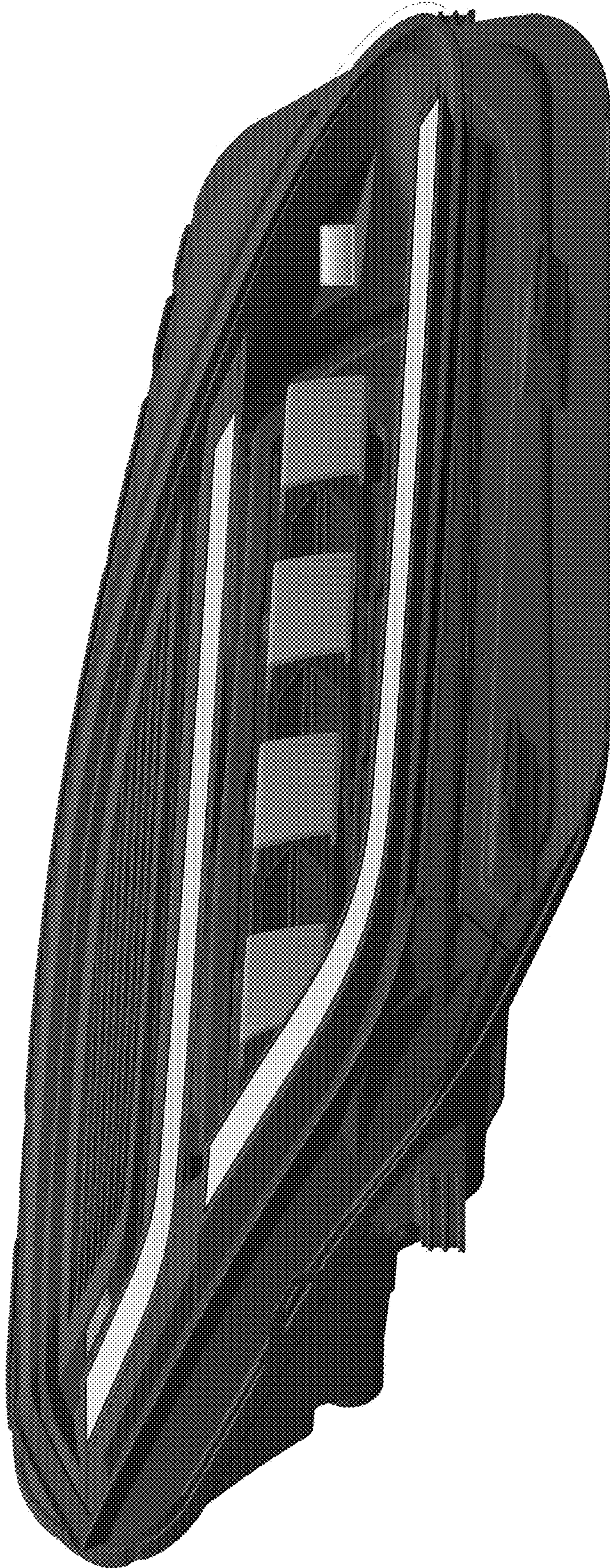


FIG. 1



FIG. 2



FIG. 3

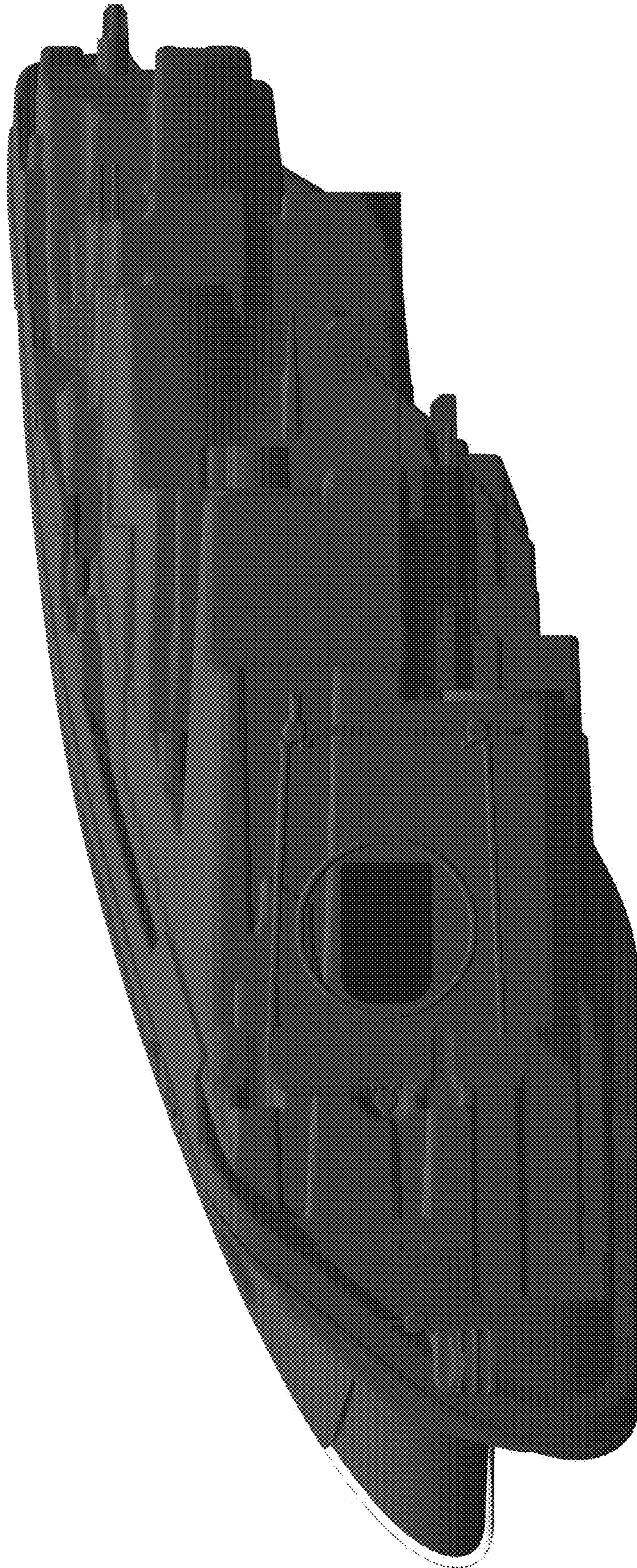


FIG. 4

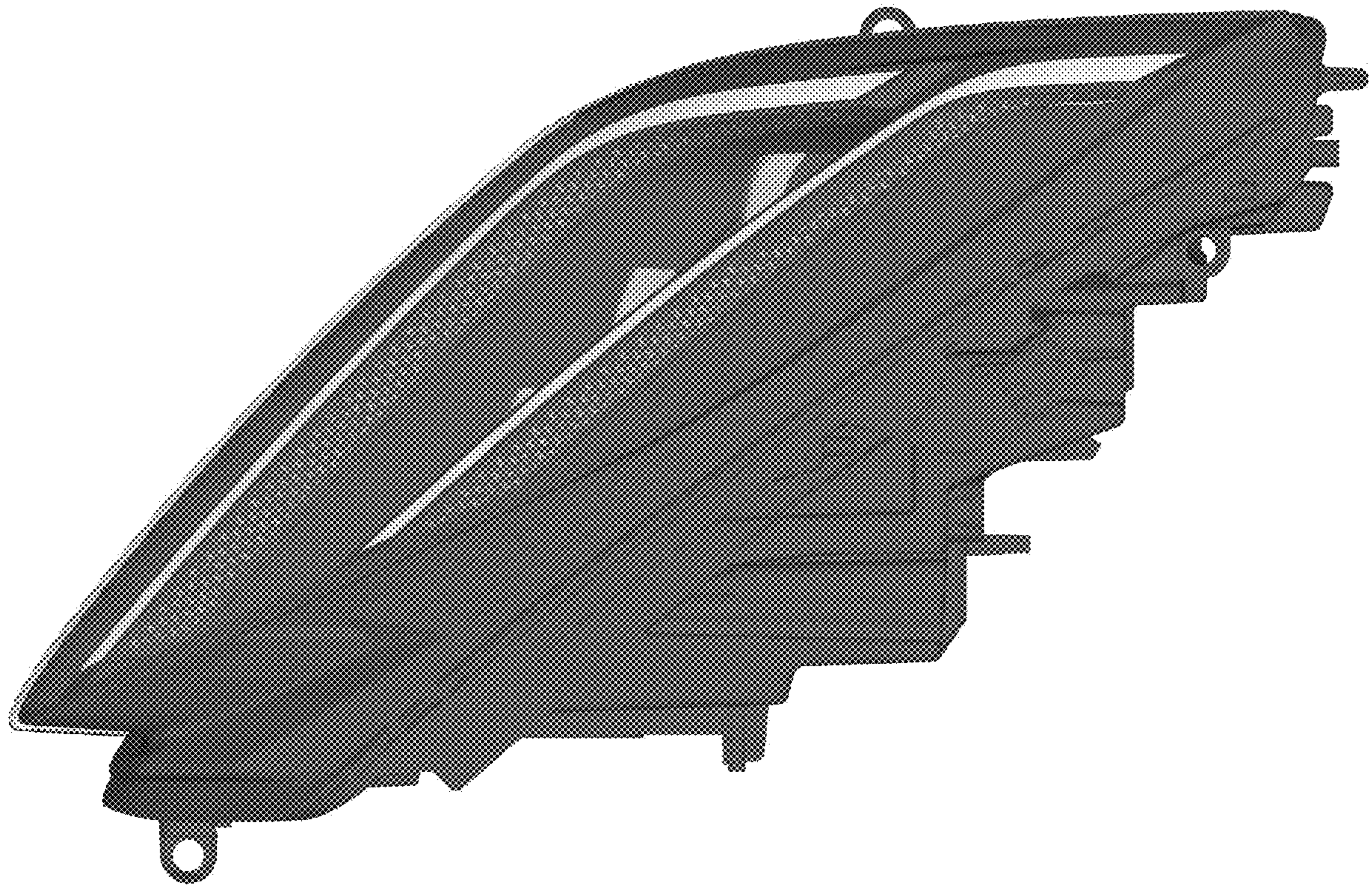


FIG. 5

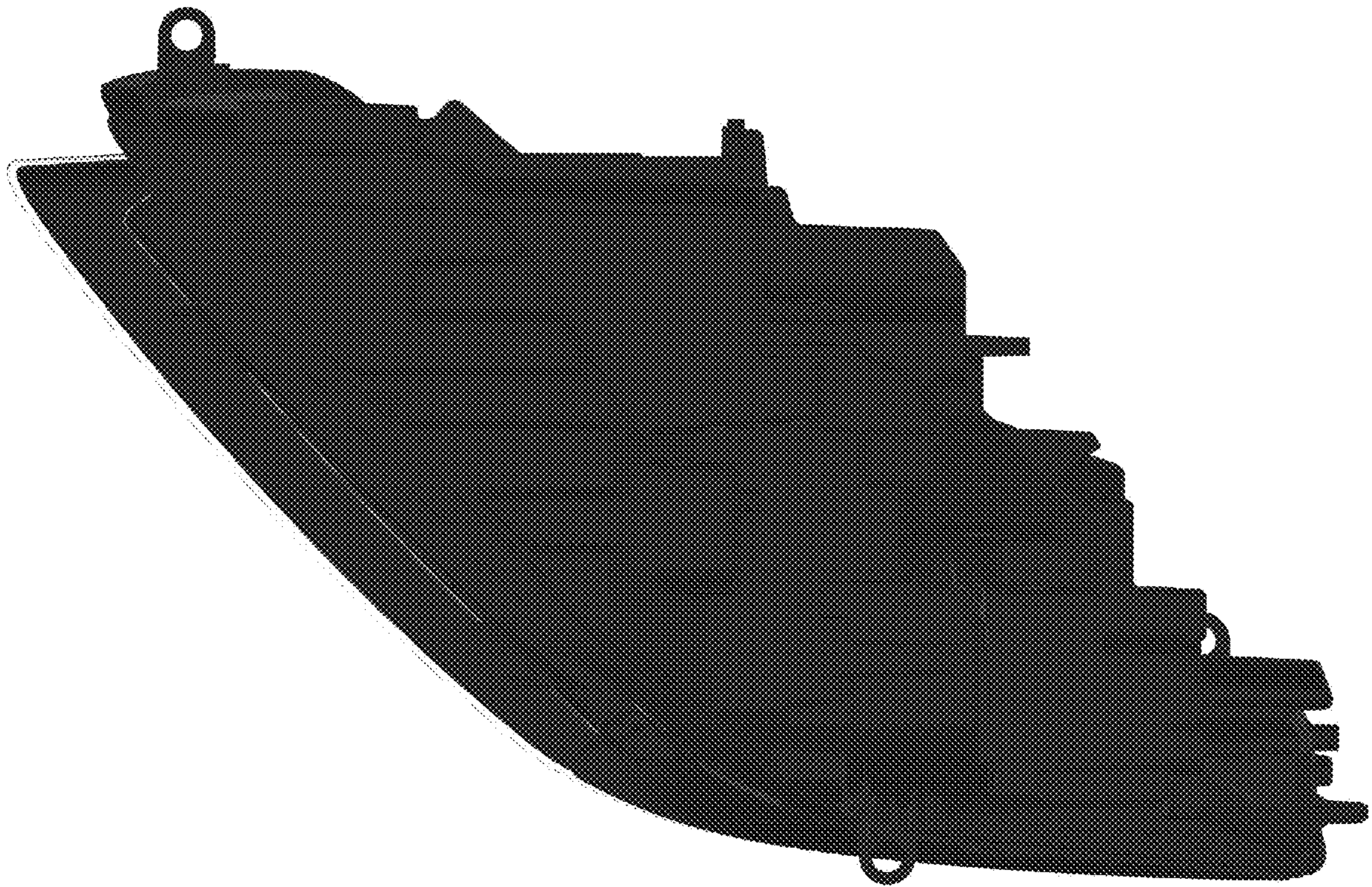


FIG. 6

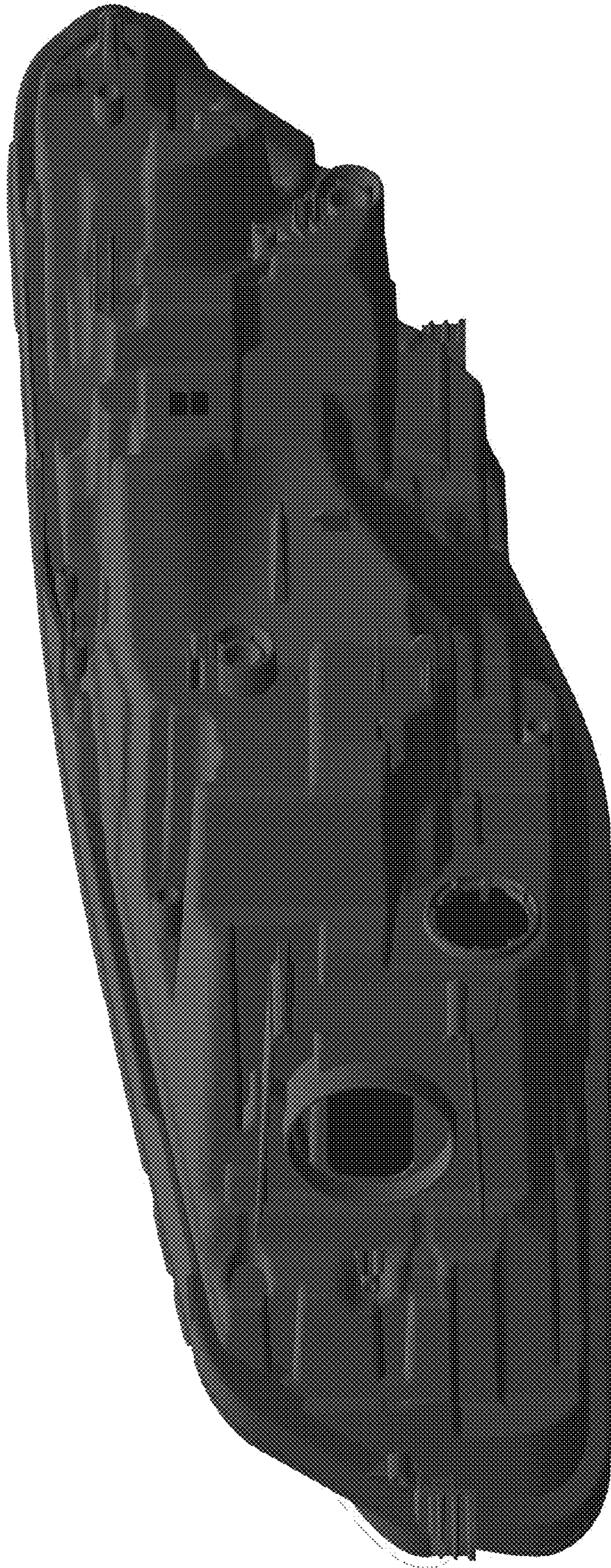


FIG. 7

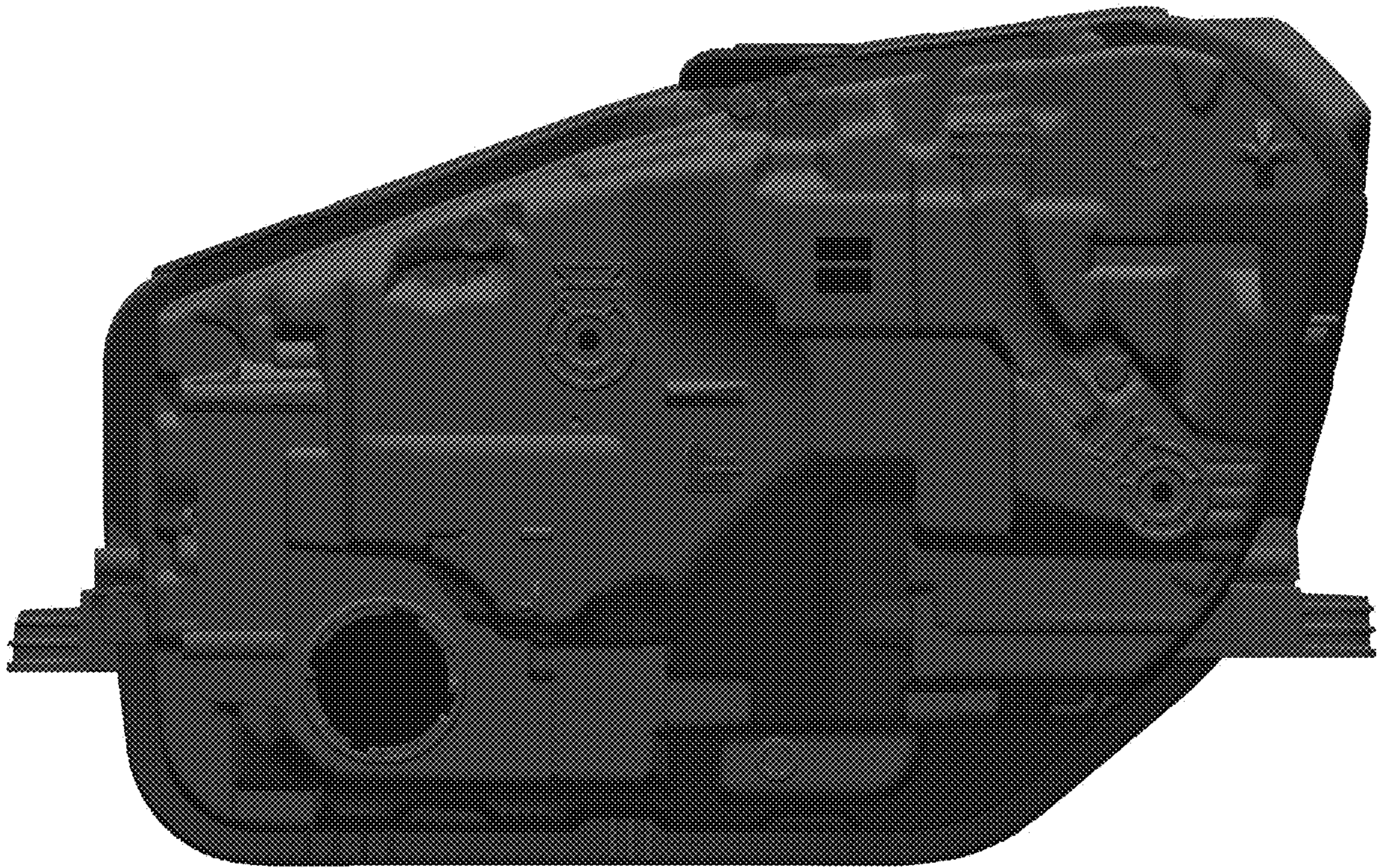


FIG. 8