



US00D967994S

(12) **United States Design Patent**  
**Hirai**

(10) **Patent No.:** **US D967,994 S**

(45) **Date of Patent:** **\*\* Oct. 25, 2022**

(54) **REAR COMBINATION LAMP FOR AN  
AUTOMOBILE**

(71) Applicant: **TOYOTA JIDOSHA KABUSHIKI  
KAISHA**, Toyota (JP)

(72) Inventor: **Tokiko Hirai**, Nagakute (JP)

(73) Assignee: **TOYOTA JIDOSHA KABUSHIKI  
KAISHA**, Toyota (JP)

(\*\*) Term: **15 Years**

(21) Appl. No.: **29/749,963**

(22) Filed: **Sep. 10, 2020**

(30) **Foreign Application Priority Data**

Mar. 12, 2020 (JP) ..... 2020-004947 D

(51) **LOC (13) Cl.** ..... **26-06**

(52) **U.S. Cl.**  
USPC ..... **D26/28**

(58) **Field of Classification Search**  
USPC ..... D26/28, 29, 30, 31, 32, 33, 34, 35, 36,  
D26/139  
CPC ..... F21W 2103/35; F21W 2103/40; F21W  
2102/17; F21W 2102/30; F21W 2103/00;  
F21W 2103/55; F21W 2104/00; F21W  
2107/17; F21W 2107/13; F21S 41/00;  
F21S 41/141; F21S 41/162; F21S 41/18;  
F21S 41/20; F21S 41/33; F21S 41/36;  
F21S 41/60; F21S 43/00; F21S 43/15;  
F21S 43/50; F21V 21/04  
See application file for complete search history.

(56) **References Cited**

**U.S. PATENT DOCUMENTS**

D602,616 S \* 10/2009 Okamura ..... D26/28  
D736,441 S \* 8/2015 Sperling ..... D26/28  
D764,691 S \* 8/2016 Luk ..... D26/28

D801,560 S \* 10/2017 Kinoshita ..... D26/28  
D806,919 S \* 1/2018 Hatton ..... D26/28  
D812,271 S \* 3/2018 Katagiri ..... D26/28  
D823,499 S \* 7/2018 Peat ..... D26/28  
D846,163 S \* 4/2019 Thomas ..... D26/28  
D848,040 S \* 5/2019 Binder ..... D26/28  
D880,025 S \* 3/2020 Chan ..... D26/28  
D885,620 S \* 5/2020 Furuta ..... D26/28  
D897,011 S \* 9/2020 Momokawa ..... D26/28  
D913,546 S \* 3/2021 Patel ..... D26/28  
D920,552 S \* 5/2021 Runde ..... D26/28  
D924,451 S \* 7/2021 Nagasaka ..... D26/28  
D939,740 S \* 12/2021 Jobling ..... D26/28

**OTHER PUBLICATIONS**

netcarshow.com, Toyota RAV4 (2019), <<https://www.netcarshow.com/toyota/2019-rav4/>>, available as early as Dec. 31, 2018.  
netcarshow.com, Volkswagen Touareg (2019), <<https://www.netcarshow.com/volkswagen/2019-touareg/>>, available as early as Dec. 31, 2018.

\* cited by examiner

*Primary Examiner* — Angela J Lee  
(74) *Attorney, Agent, or Firm* — Saidman DesignLaw Group, LLC

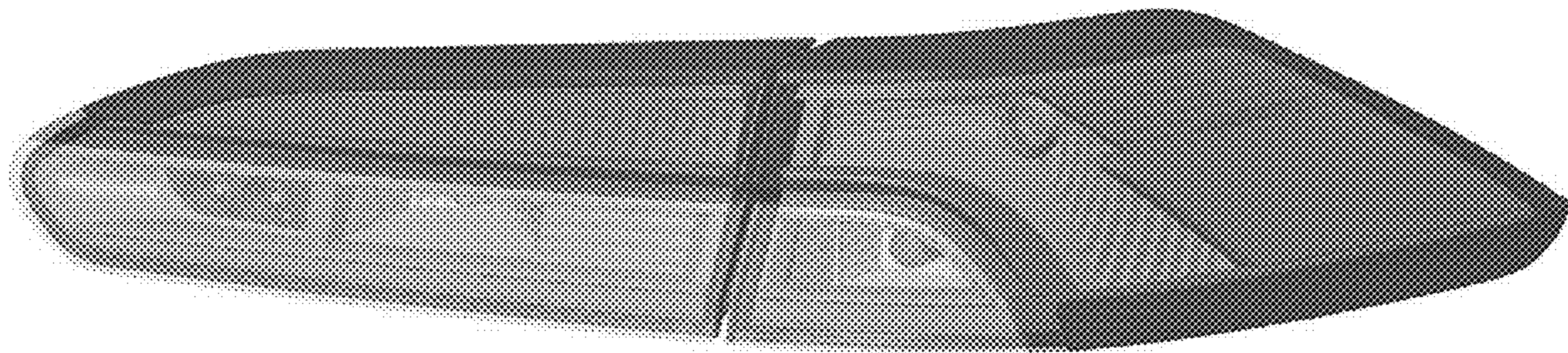
(57) **CLAIM**

The ornamental design for a rear combination lamp for an automobile, as shown and described.

**DESCRIPTION**

FIG. 1 is a perspective view of a rear combination lamp for an automobile showing my new design;  
FIG. 2 is a front view thereof;  
FIG. 3 is a rear view thereof;  
FIG. 4 is a right side view thereof;  
FIG. 5 is a left side view thereof;  
FIG. 6 is a top view thereof; and,  
FIG. 7 is a bottom view thereof.

**1 Claim, 7 Drawing Sheets**



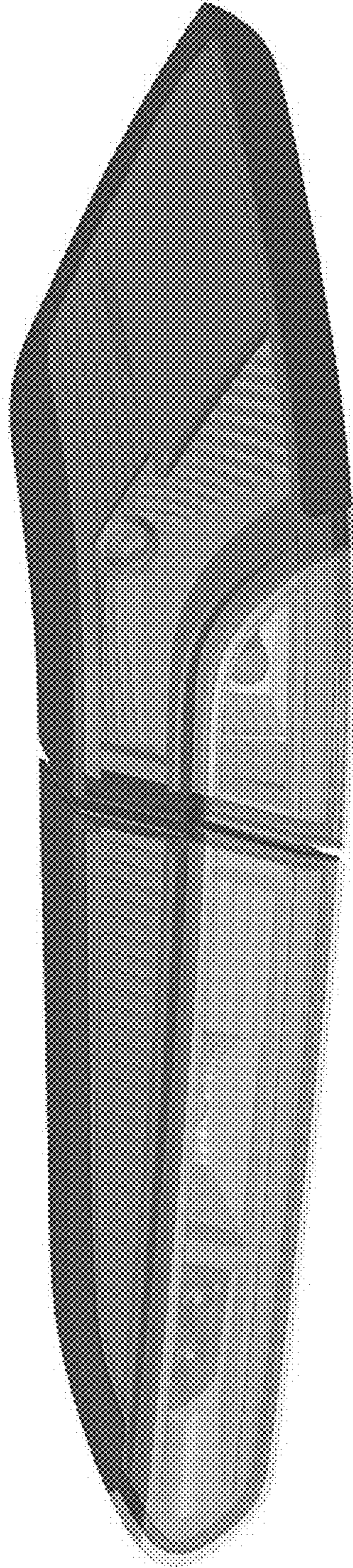


FIG. 1

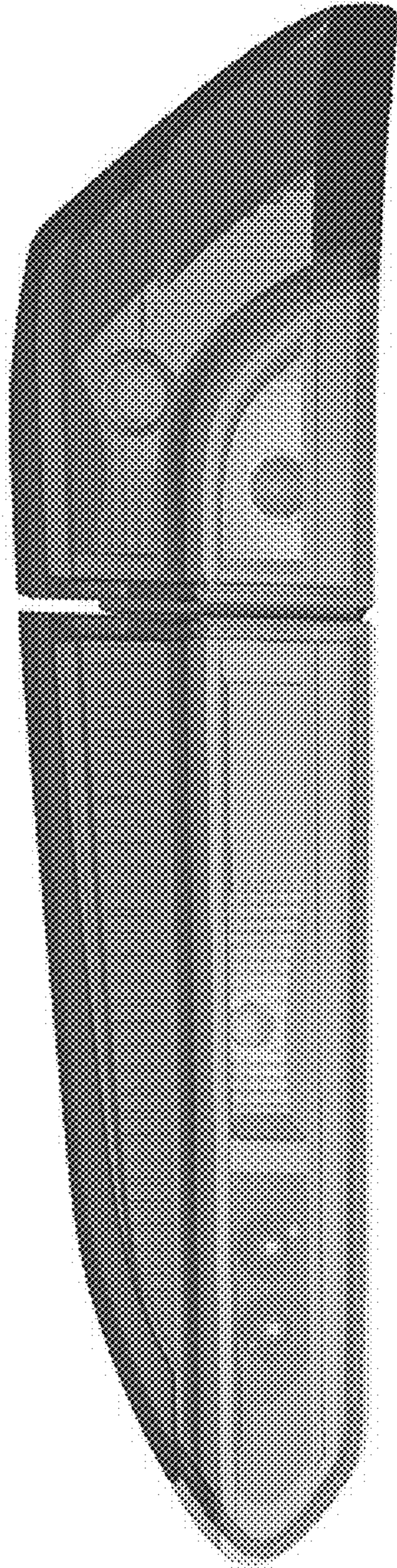


FIG. 2

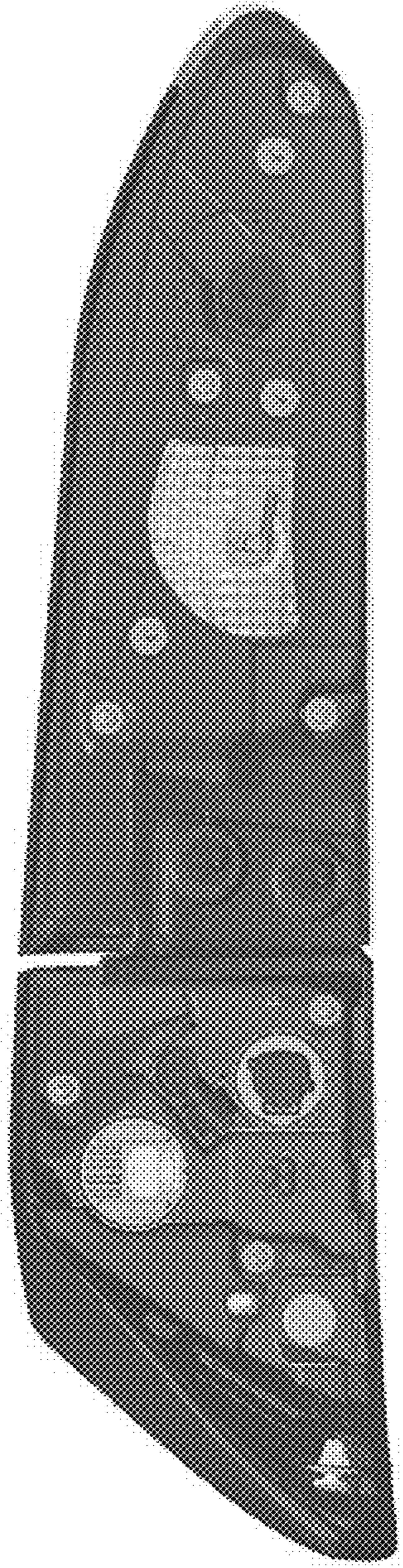


FIG. 3

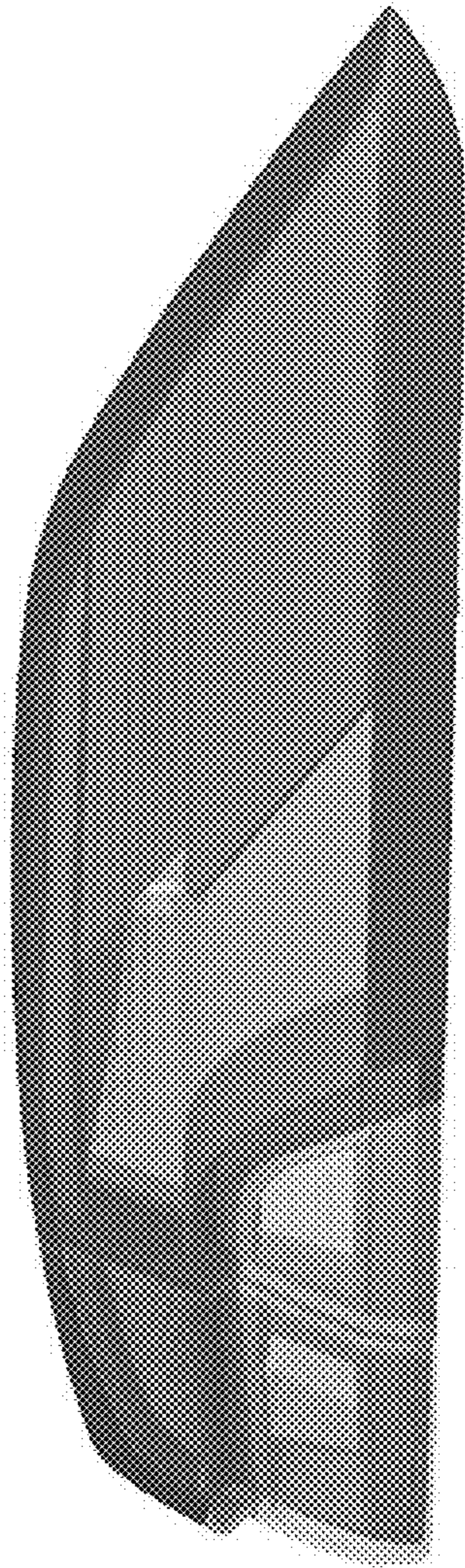


FIG. 4

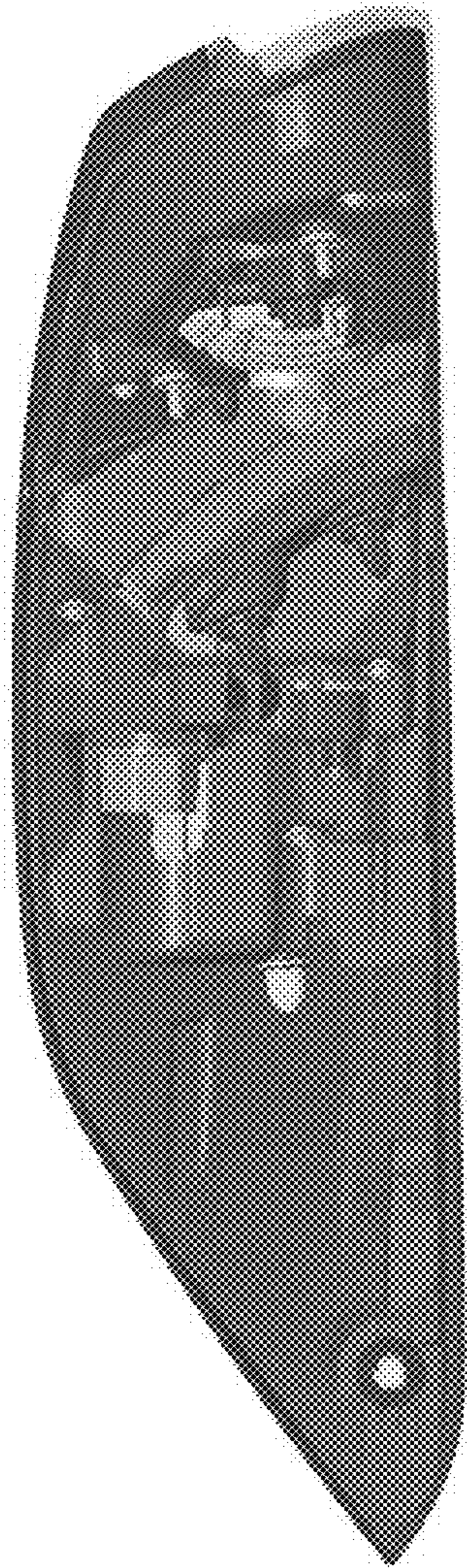


FIG. 5



FIG. 6

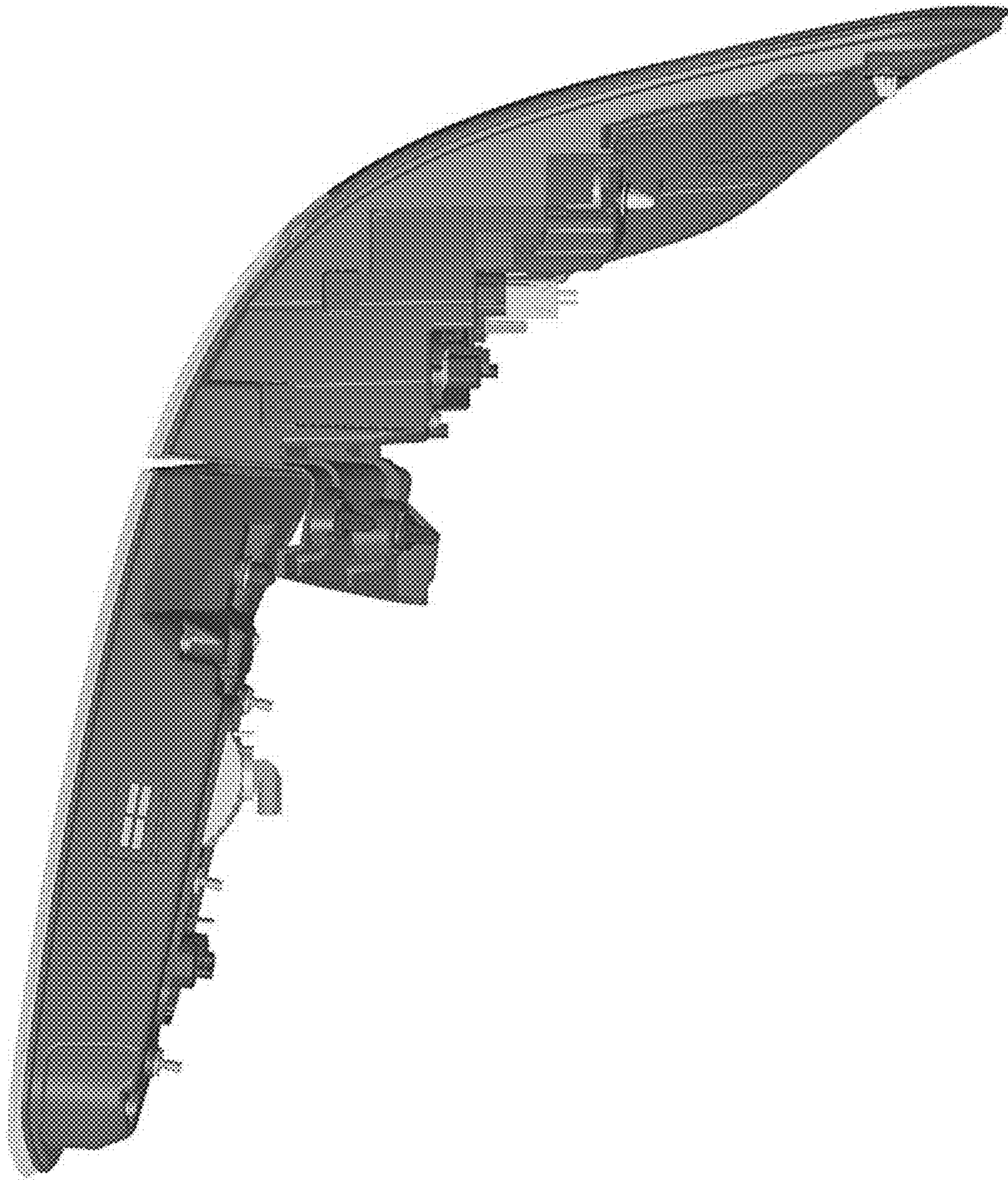


FIG. 7