



US00D967992S

(12) **United States Design Patent**  
**Ke et al.**

(10) **Patent No.:** **US D967,992 S**  
(45) **Date of Patent:** **\*\* Oct. 25, 2022**

- (54) **BICYCLE TAIL LIGHT**
- (71) Applicants: **Yugang Ke**, Guangzhou (CN); **Xijian Li**, Yueyang (CN)
- (72) Inventors: **Yugang Ke**, Guangzhou (CN); **Xijian Li**, Yueyang (CN)
- (\*\*) Term: **15 Years**
- (21) Appl. No.: **29/731,689**
- (22) Filed: **Apr. 17, 2020**
- (51) **LOC (13) Cl.** ..... **26-06**
- (52) **U.S. Cl.**  
USPC ..... **D26/28**
- (58) **Field of Classification Search**  
USPC ..... D26/28-36, 139  
CPC ..... F21S 48/00; F21S 48/10; F21S 48/115;  
F21S 48/225; F21S 48/1233; F21S  
48/1266; F21S 48/1388; F21S 48/2268;  
F21V 5/00; F21V 21/04; F21V 29/004;  
B60Q 9/13; B60Q 9/135; B60Q 9/1375  
See application file for complete search history.

- D678,562 S \* 3/2013 Chan ..... D26/60
- D679,038 S \* 3/2013 Hamasaki ..... D26/28
- D881,424 S \* 4/2020 Gu ..... D26/28
- D891,665 S \* 7/2020 Nagano ..... D26/60

\* cited by examiner

*Primary Examiner* — Marcus A Jackson

(56) **References Cited**

**U.S. PATENT DOCUMENTS**

- D498,550 S \* 11/2004 Chen ..... D26/28
- D535,766 S \* 1/2007 Lee ..... D26/28

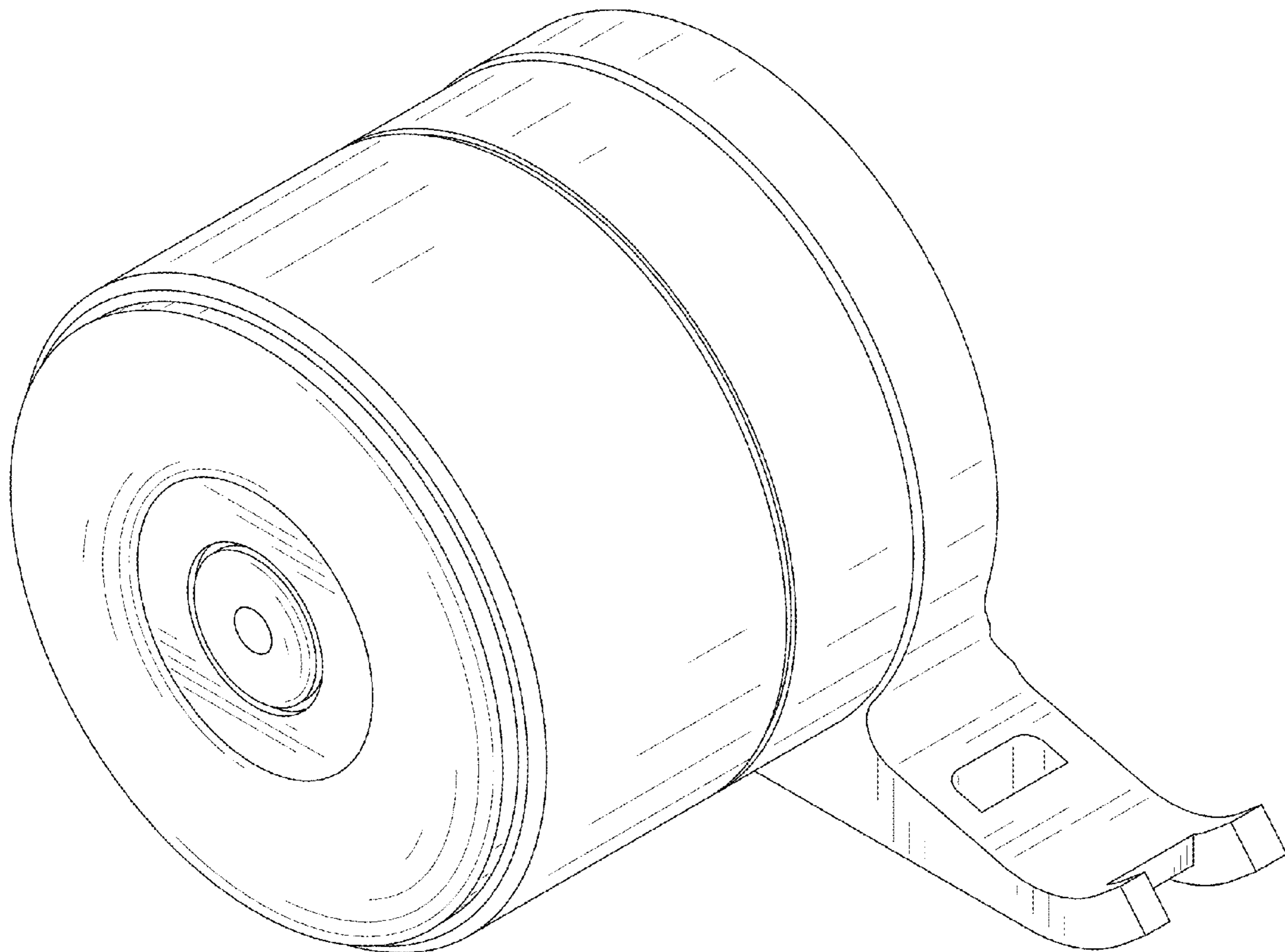
(57) **CLAIM**

The ornamental design for a bicycle tail light, as shown and described.

**DESCRIPTION**

FIG. 1 is a perspective view of a bicycle tail light showing my new design;  
 FIG. 2 is another perspective view thereof;  
 FIG. 3 is a front elevational view thereof;  
 FIG. 4 is a rear elevational view thereof;  
 FIG. 5 is a left side elevational view thereof;  
 FIG. 6 is a right side elevational view thereof;  
 FIG. 7 is a top plan view thereof; and,  
 FIG. 8 is a bottom plan view thereof.  
 The broken lines in the drawings depict portions of the bicycle tail light that form no part of the claimed design.

**1 Claim, 8 Drawing Sheets**



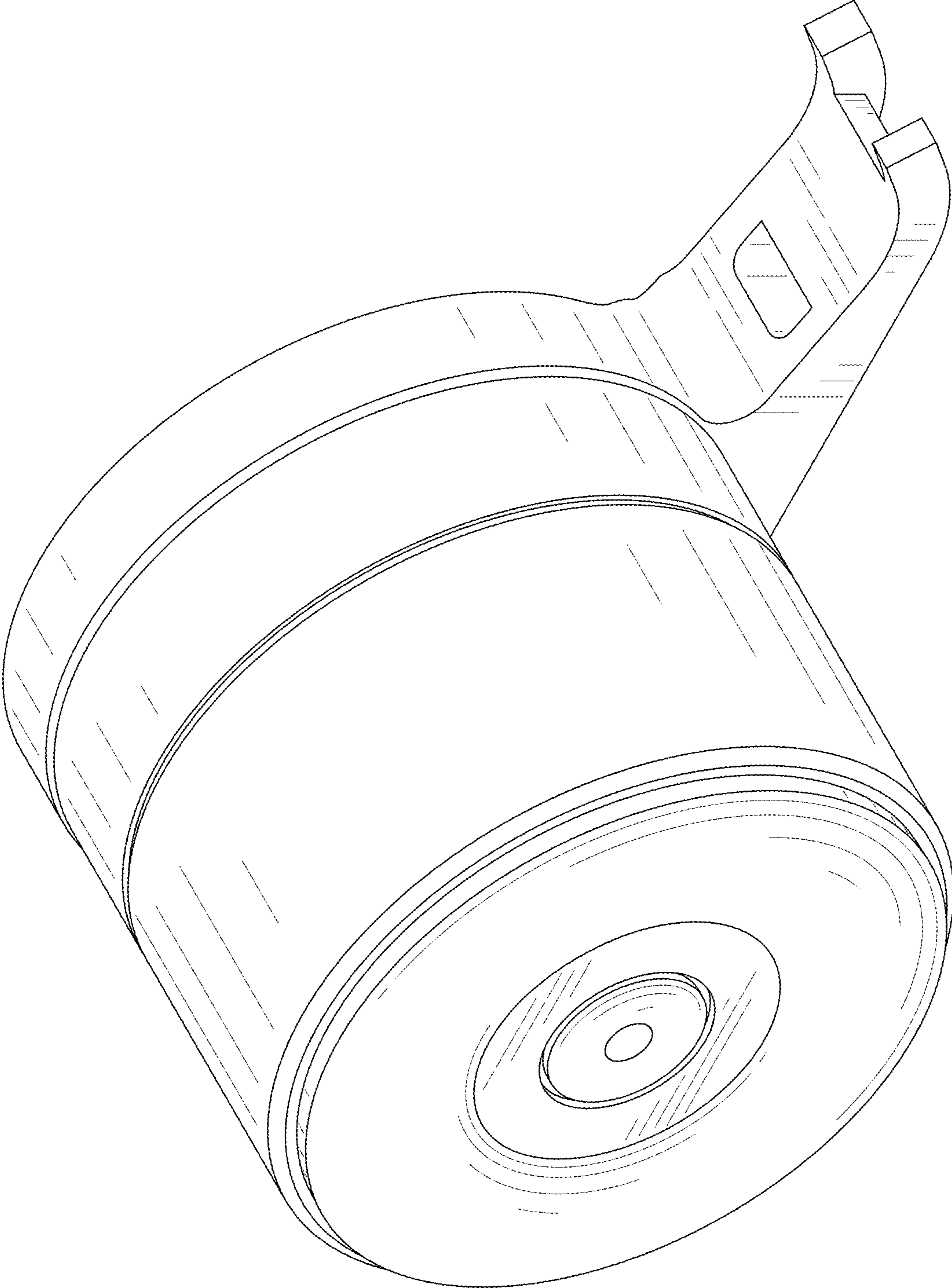


FIG. 1

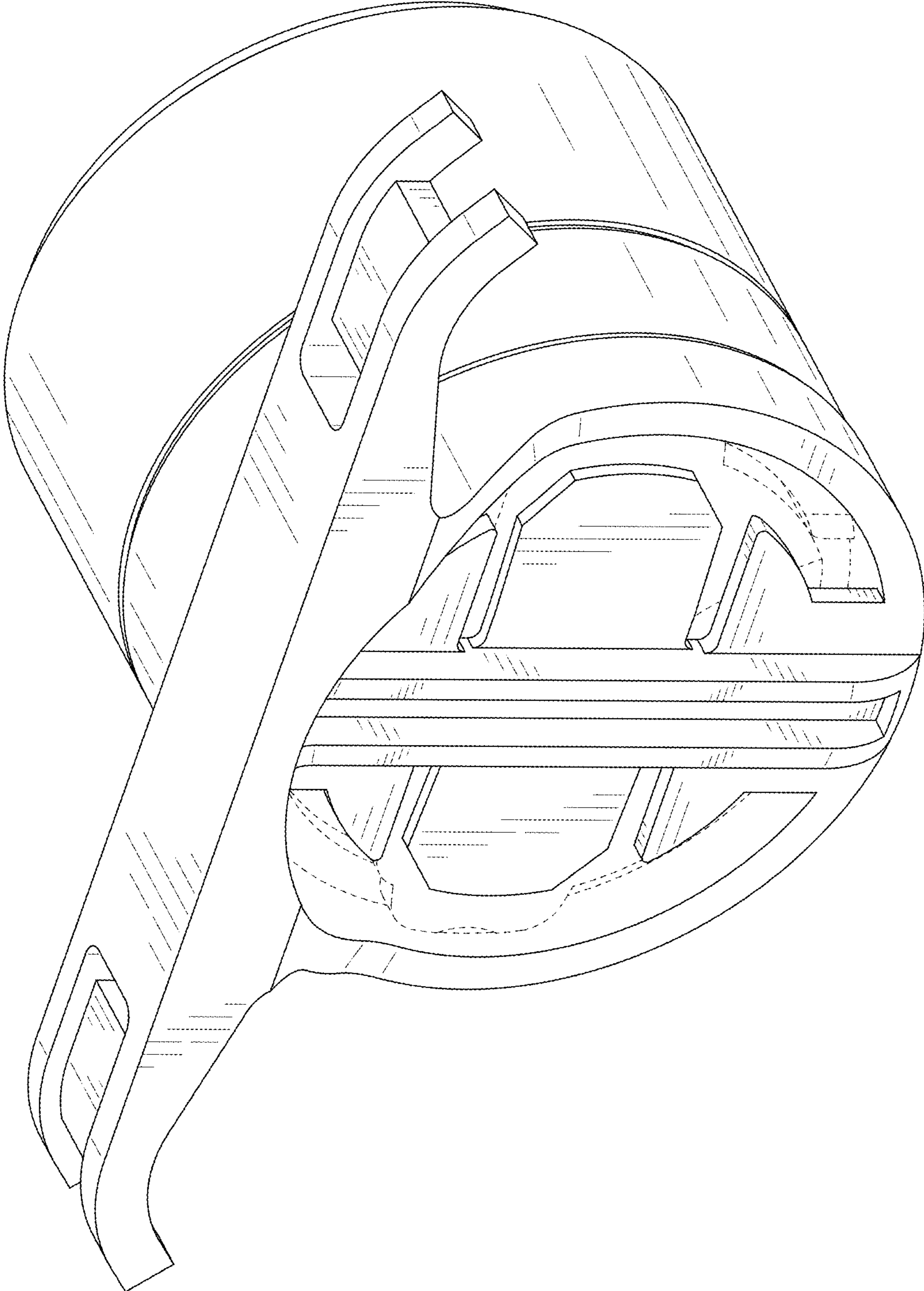


FIG. 2

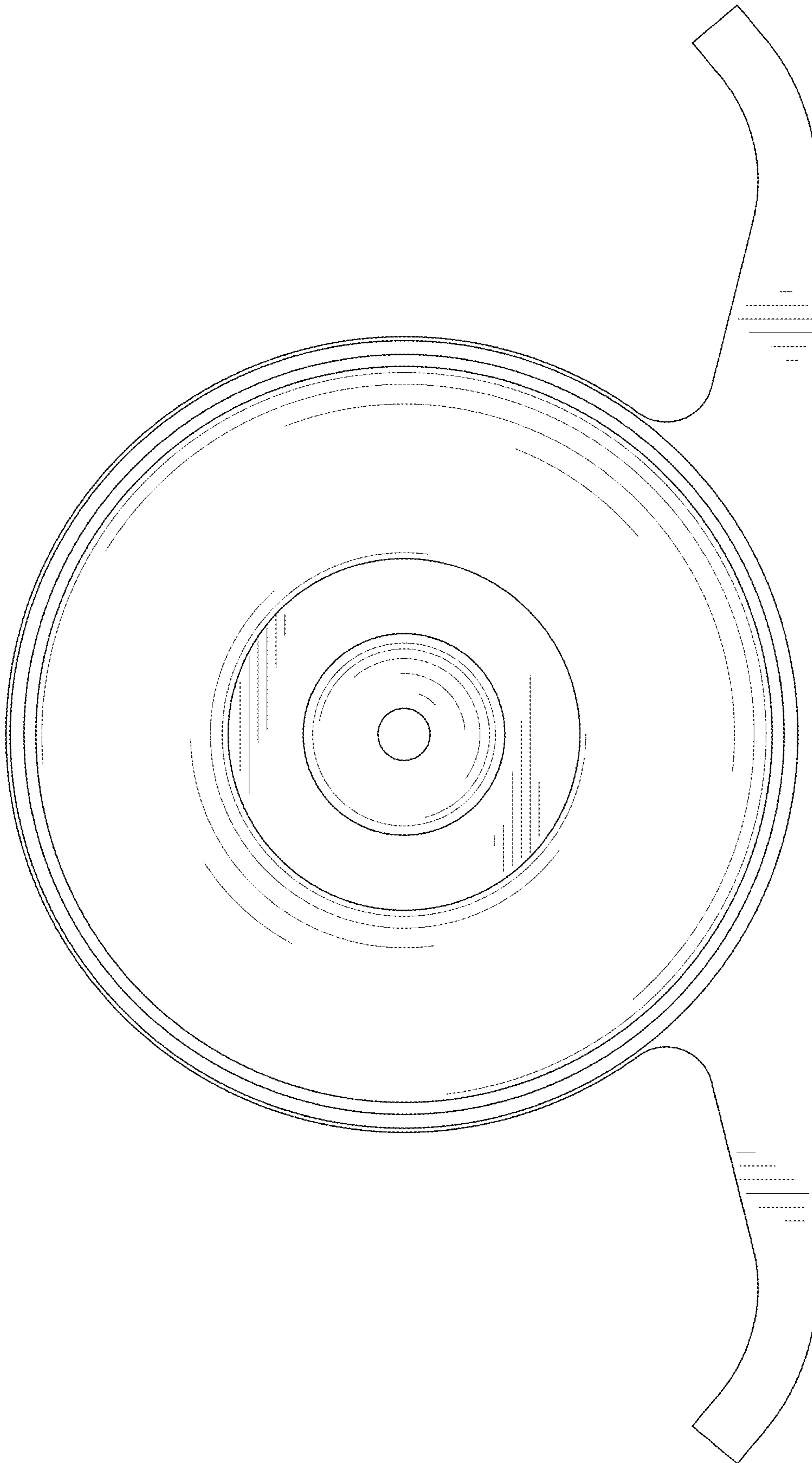


FIG. 3

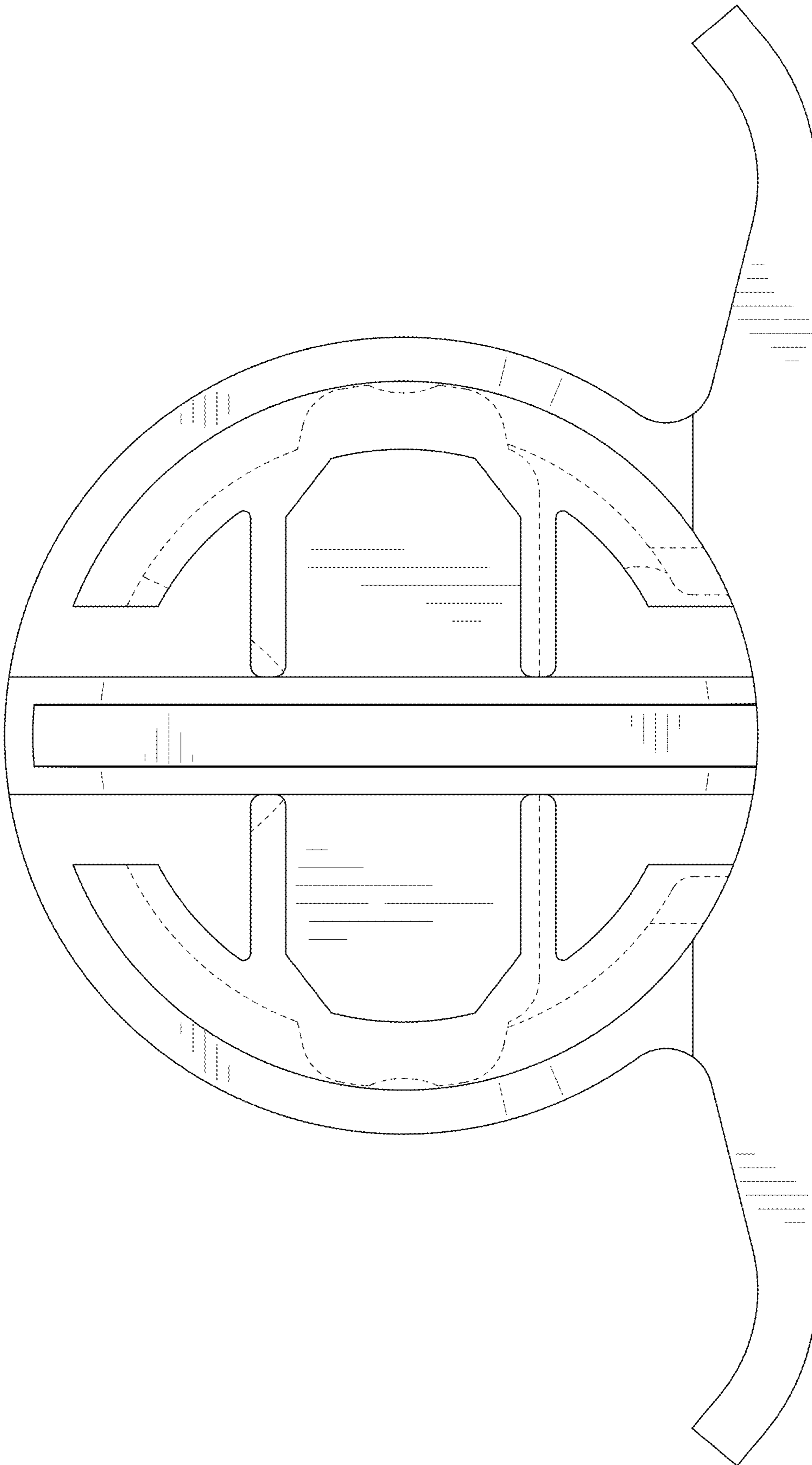


FIG. 4

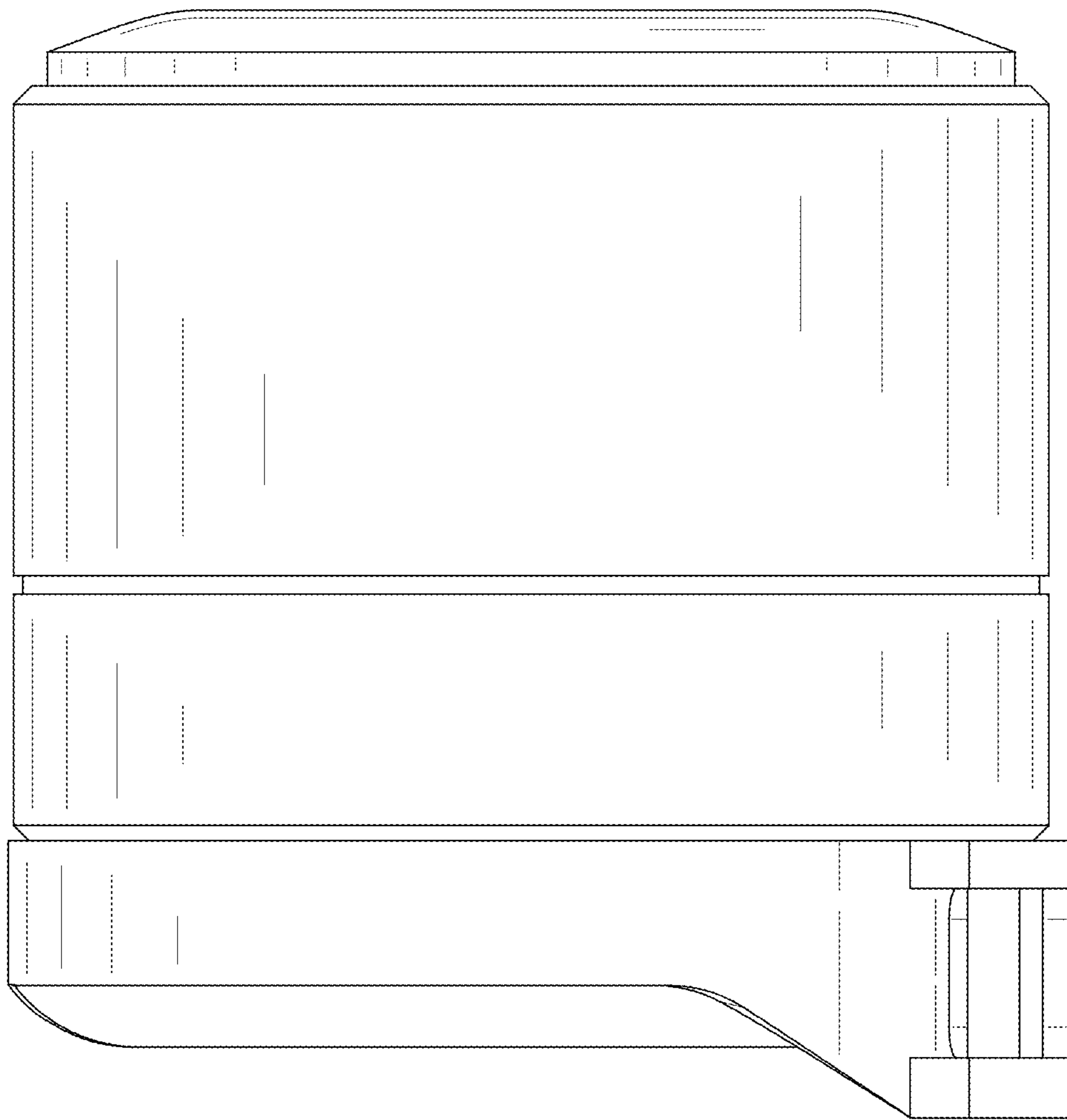


FIG. 5

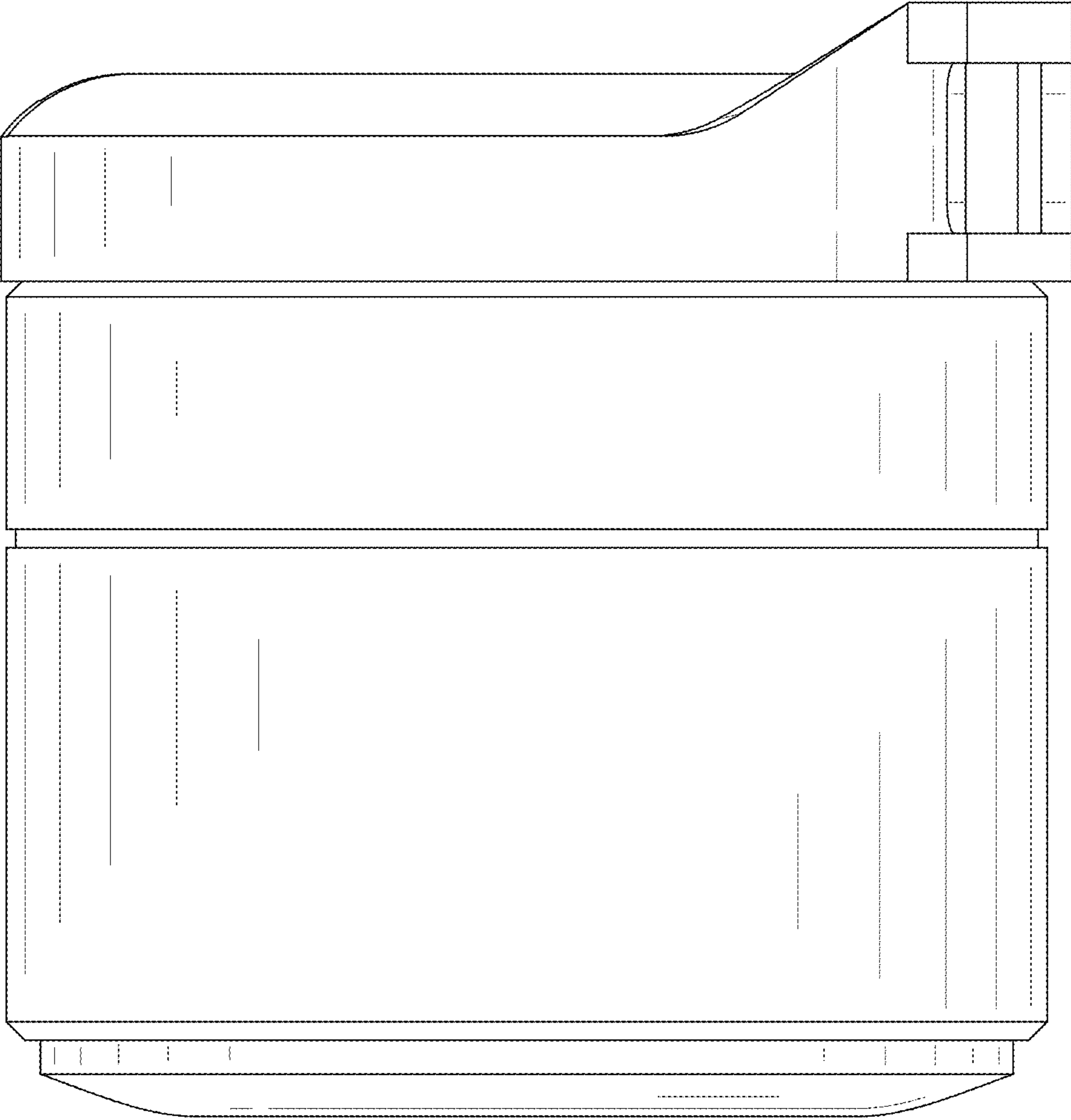


FIG. 6

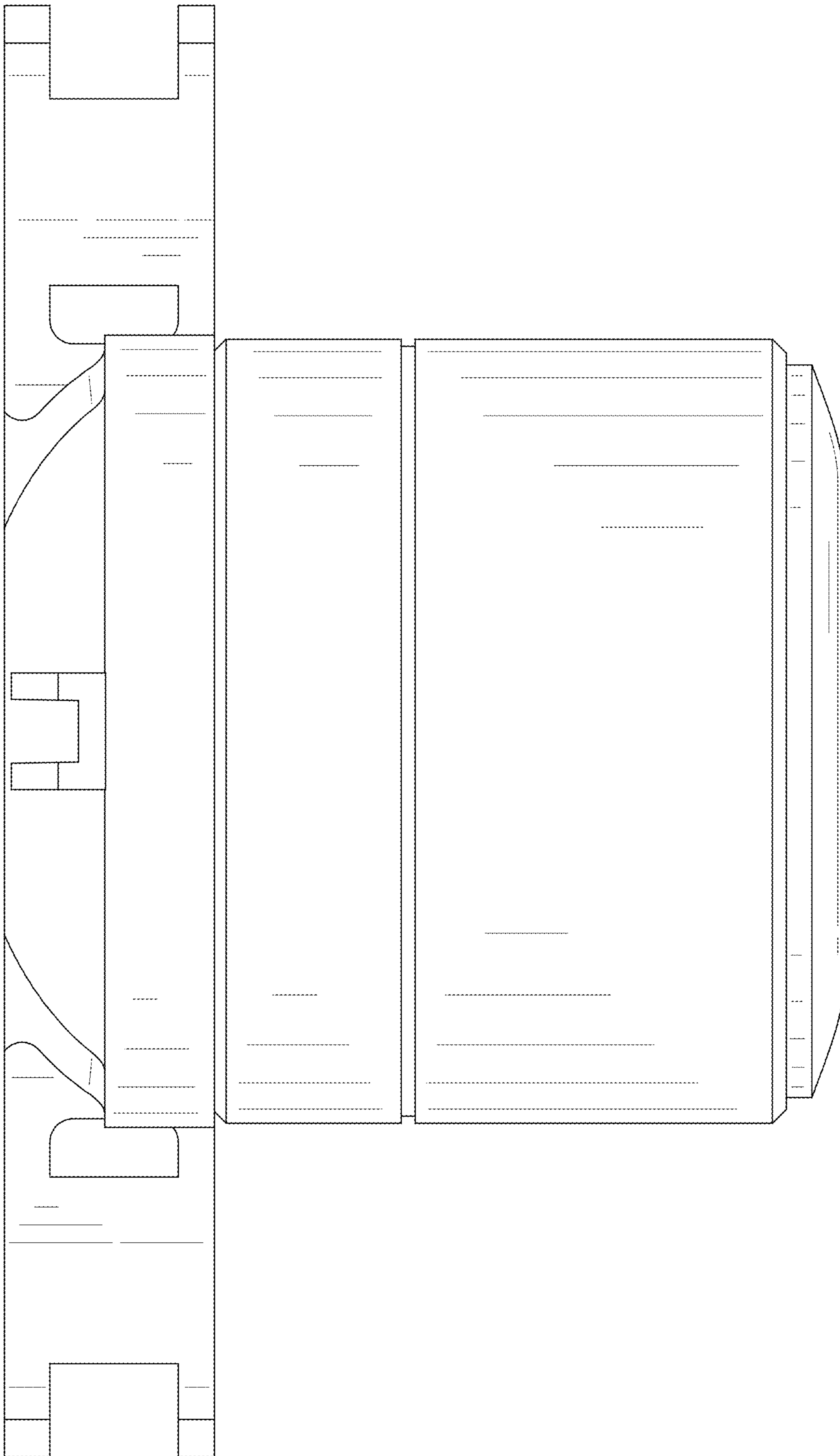


FIG. 7



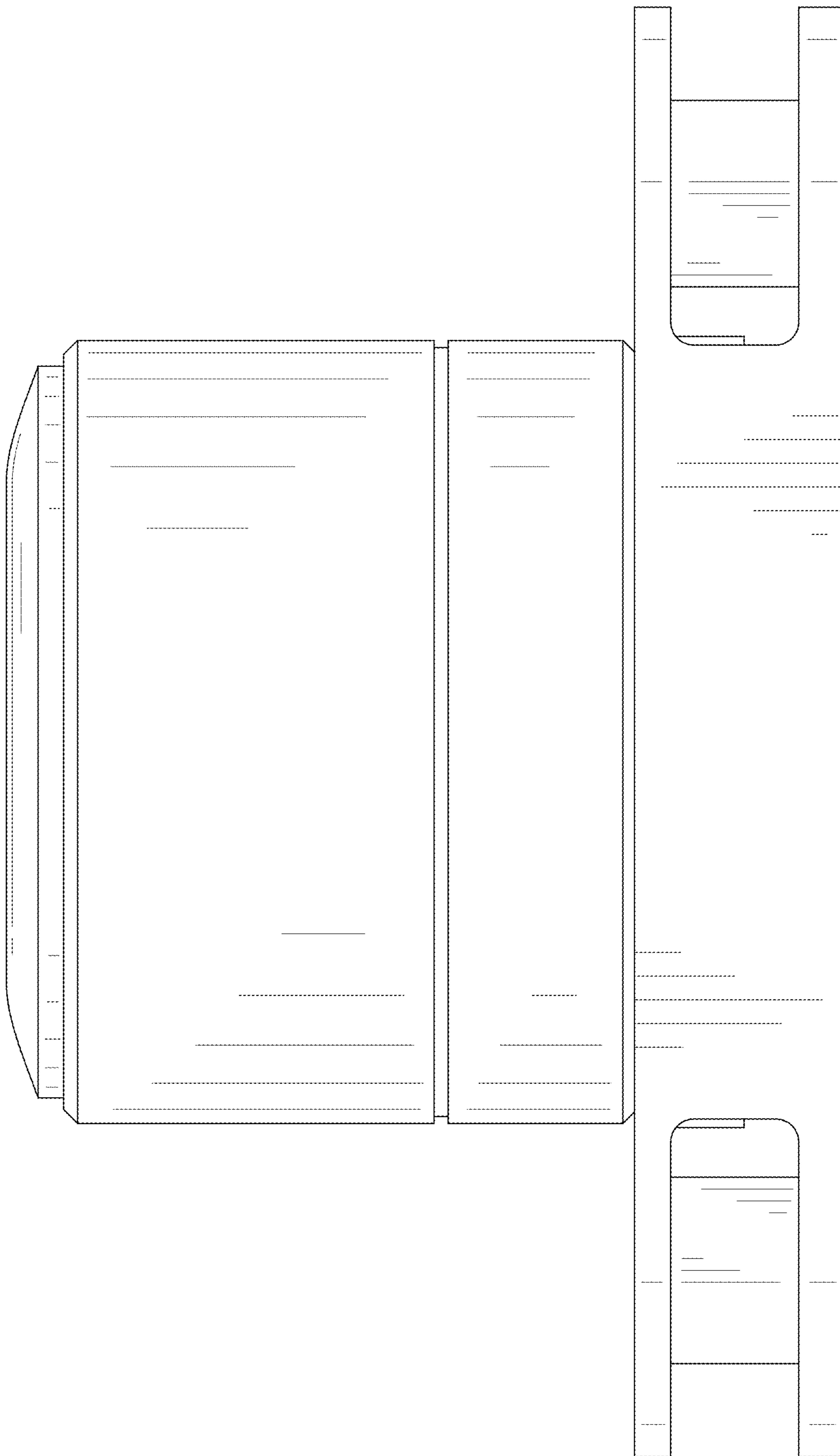


FIG. 8