

US00D967989S

(12) **United States Design Patent**
Hsieh

(10) **Patent No.:** **US D967,989 S**
(45) **Date of Patent:** **** Oct. 25, 2022**

(54) **LIGHT PIPE MODULE**

(71) Applicant: **Delta Electronics, Inc.**, Taoyuan (TW)

(72) Inventor: **Shih-Chi Hsieh**, Taoyuan (TW)

(73) Assignee: **DELTA ELECTRONICS, INC.**,
Taoyuan (TW)

(**) Term: **15 Years**

(21) Appl. No.: **29/721,429**

(22) Filed: **Jan. 21, 2020**

(51) **LOC (13) Cl.** **26-03**

(52) **U.S. Cl.**
USPC **D26/24; D26/80**

(58) **Field of Classification Search**
USPC D26/24, 71, 72, 78, 80, 82, 85, 87, 92,
D26/113, 118, 120, 138, 145, 155
CPC .. F21S 8/033; F21S 8/036; F21S 8/085; F21S
8/086; F21W 2131/103; F21W 2131/105;
F21W 2131/107; G02B 6/24; G02B
6/0001

See application file for complete search history.

(56) **References Cited**

U.S. PATENT DOCUMENTS

4,937,487	A *	6/1990	Blaisdell	H01J 61/325 315/56
5,233,679	A *	8/1993	Oyama	G02B 5/0215 362/558
5,938,324	A *	8/1999	Salmon	G09F 9/305 362/555
D446,320	S *	8/2001	Choi	D26/3
D582,595	S *	12/2008	Vakil	D26/3
7,621,773	B2 *	11/2009	Bright	G02B 6/0008 439/490
D703,371	S	4/2014	Yu		
D718,487	S	11/2014	Hulse		
D742,054	S *	10/2015	Fisher	D26/85
D764,696	S *	8/2016	Compton	D26/85
10,120,121	B2 *	11/2018	Huang	G02B 6/0008

(Continued)

FOREIGN PATENT DOCUMENTS

CN RGN_306141024. * 10/2020
TW D153790 S 7/2013

(Continued)

OTHER PUBLICATIONS

Light pipe (available online) Retrived from the internet Apr. 4, 2022 from URL: https://www.newark.com/mentor/1296-1004/light-guide-quadruple/dp/19J2970?gclid=CjwKCAjwrqqSBhBbEiwAIQeqGsS_-CIRxHKaXXWQah3dzhTU3TRpiilC5QcYtkJNas3oSRAPyBMfKRoCj6QQAvD_BwE&mckv=_dc|pcrid|576446441173|plid|kword||match|slid|product|19J2970|pgrid|133098642912|ptaidd|pla-9040629495651&CMP=KNC-GUSA-GEN-Shopping-Smart.*

Primary Examiner — Richard Kearney

(74) *Attorney, Agent, or Firm* — Kirton McConkie; Evan R. Witt

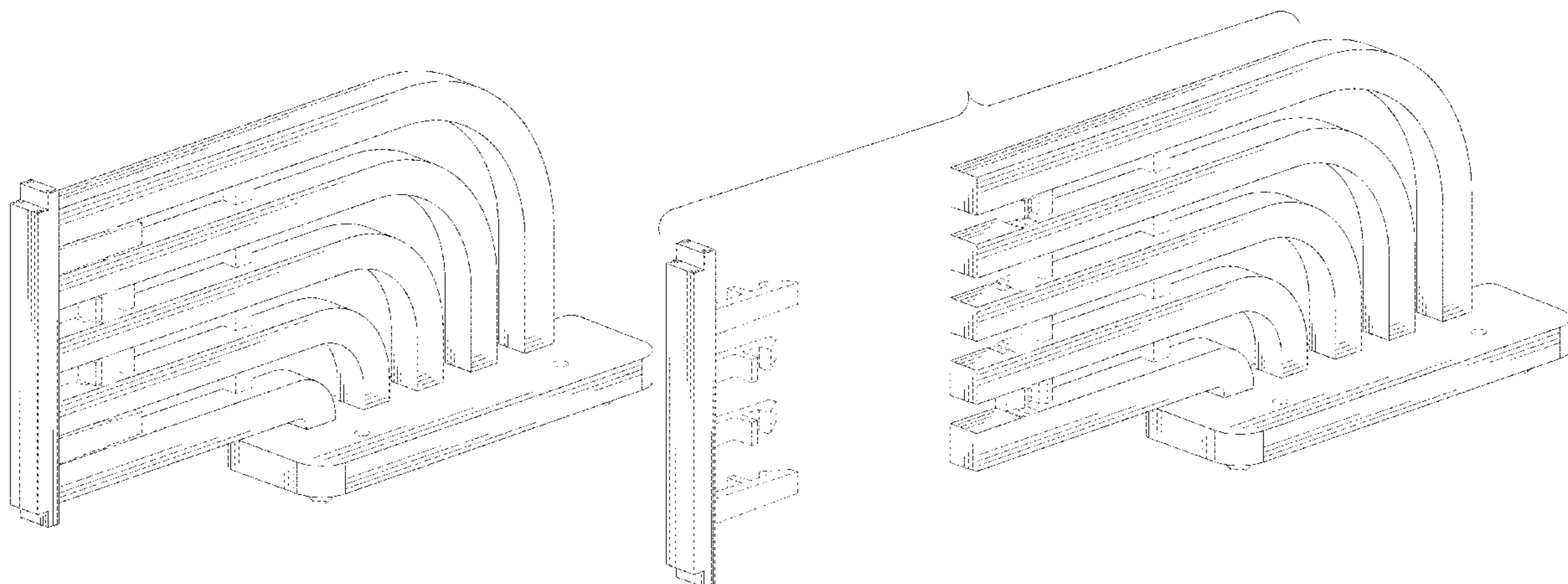
(57) **CLAIM**

The ornamental design for a light pipe module, as shown and described.

DESCRIPTION

FIG. 1 is a front, top and left side perspective view of a light pipe module showing my new design;
FIG. 2 is a rear, bottom and right side perspective view thereof;
FIG. 3 is an exploded top perspective view of FIG. 1;
FIG. 4 is an exploded front elevational view of FIG. 1;
FIG. 5 is an exploded rear elevational view of FIG. 1;
FIG. 6 is an exploded left side elevational view of FIG. 1;
FIG. 7 is an exploded right side elevational view of FIG. 1;
FIG. 8 is an exploded top plan view of FIG. 1; and,
FIG. 9 is an exploded bottom plan view of FIG. 1.
The dot-dash broken lines define the boundary of the claim. The dash-dash broken lines illustrate environmental subject matter; all broken lines form no part of the claimed design.

1 Claim, 9 Drawing Sheets



(56)

References Cited

U.S. PATENT DOCUMENTS

10,890,715 B1 * 1/2021 Hsieh G02B 6/0001
2005/0255726 A1 * 11/2005 Long H01R 13/518
439/80
2019/0296493 A1 * 9/2019 Liu G02B 6/0001
2021/0333460 A1 * 10/2021 Liang G02B 6/06

FOREIGN PATENT DOCUMENTS

TW D162409 S 8/2014
TW D163586 S 10/2014
TW D187250 S 12/2017

* cited by examiner

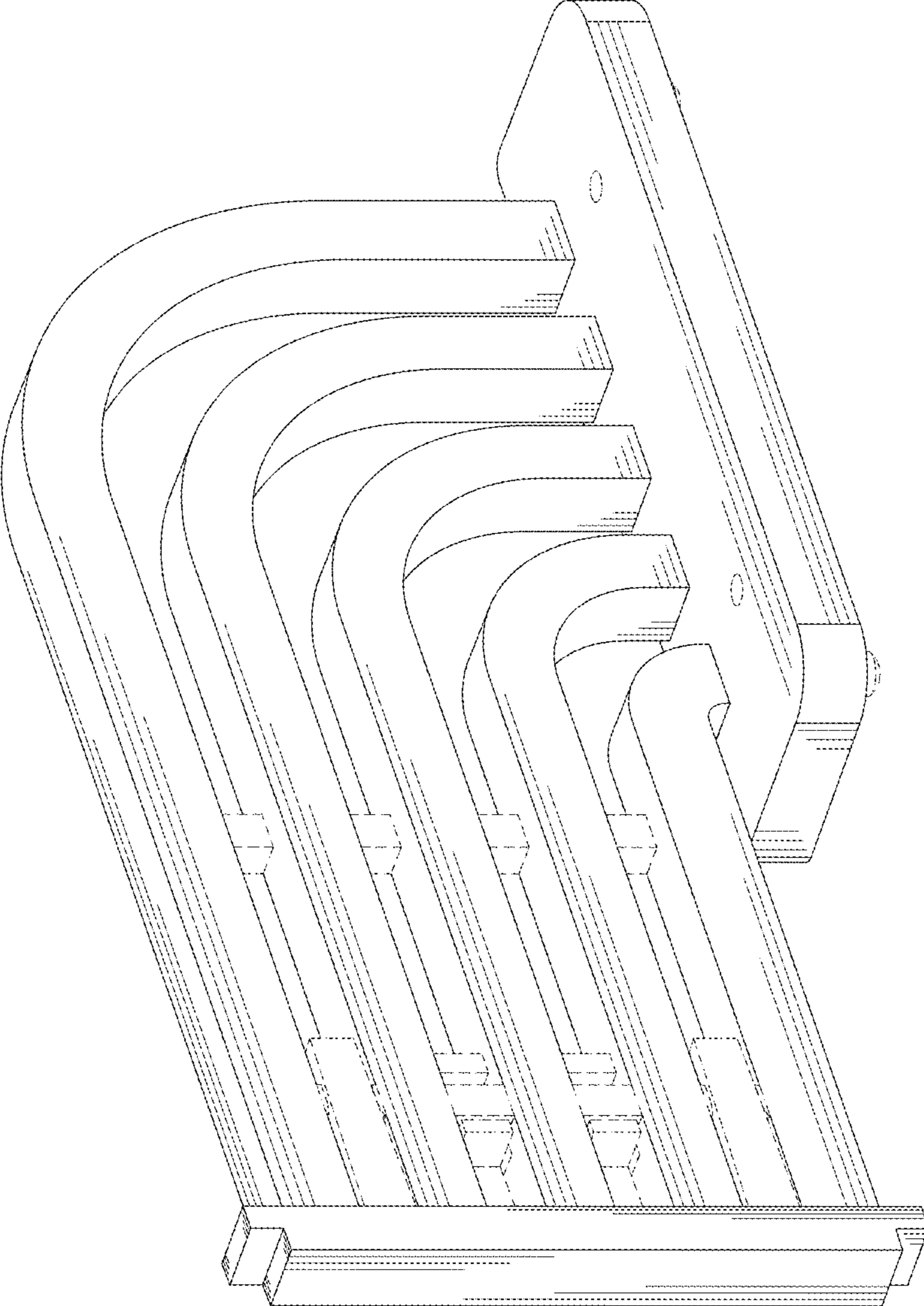


FIG. 1

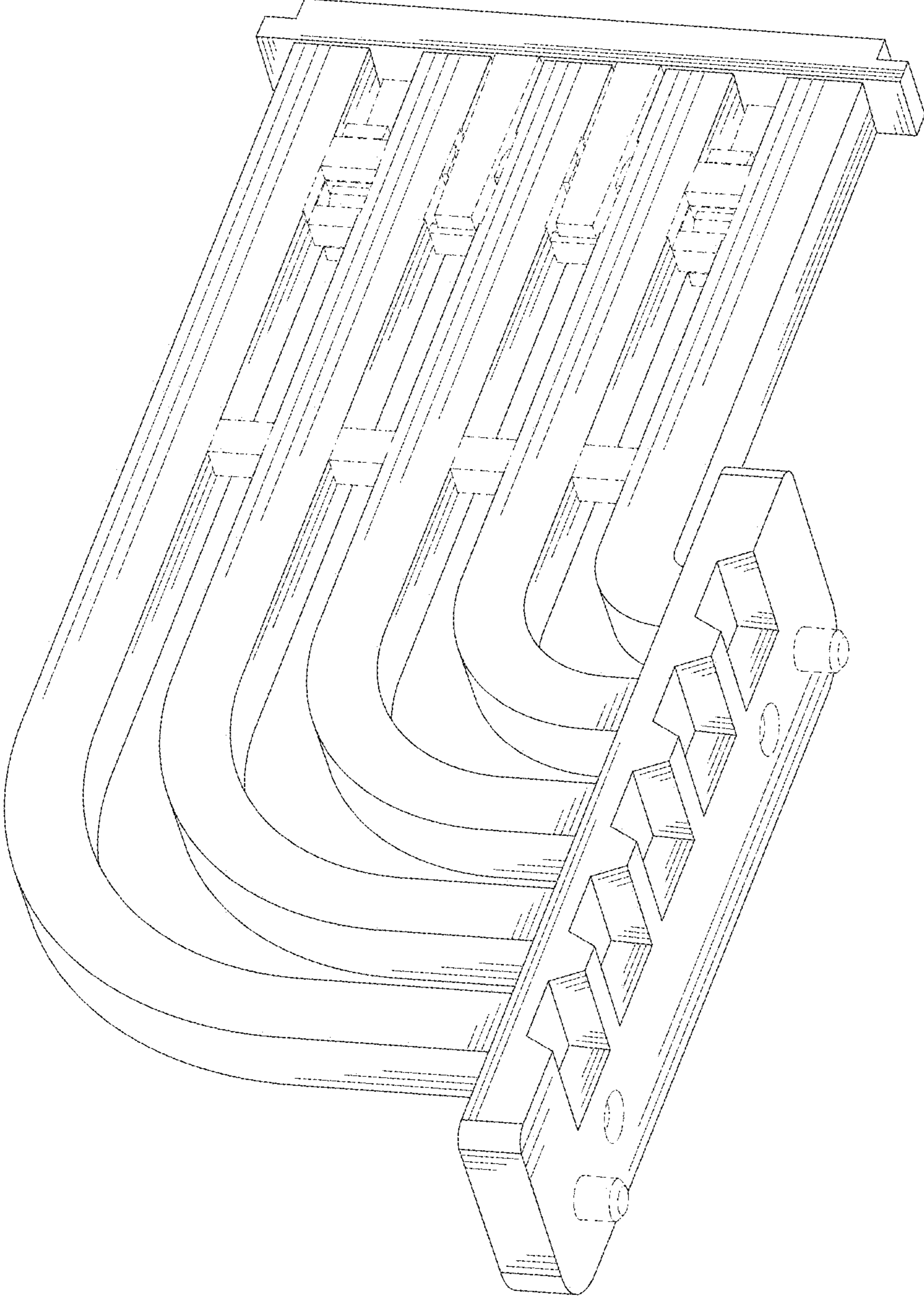


FIG. 2

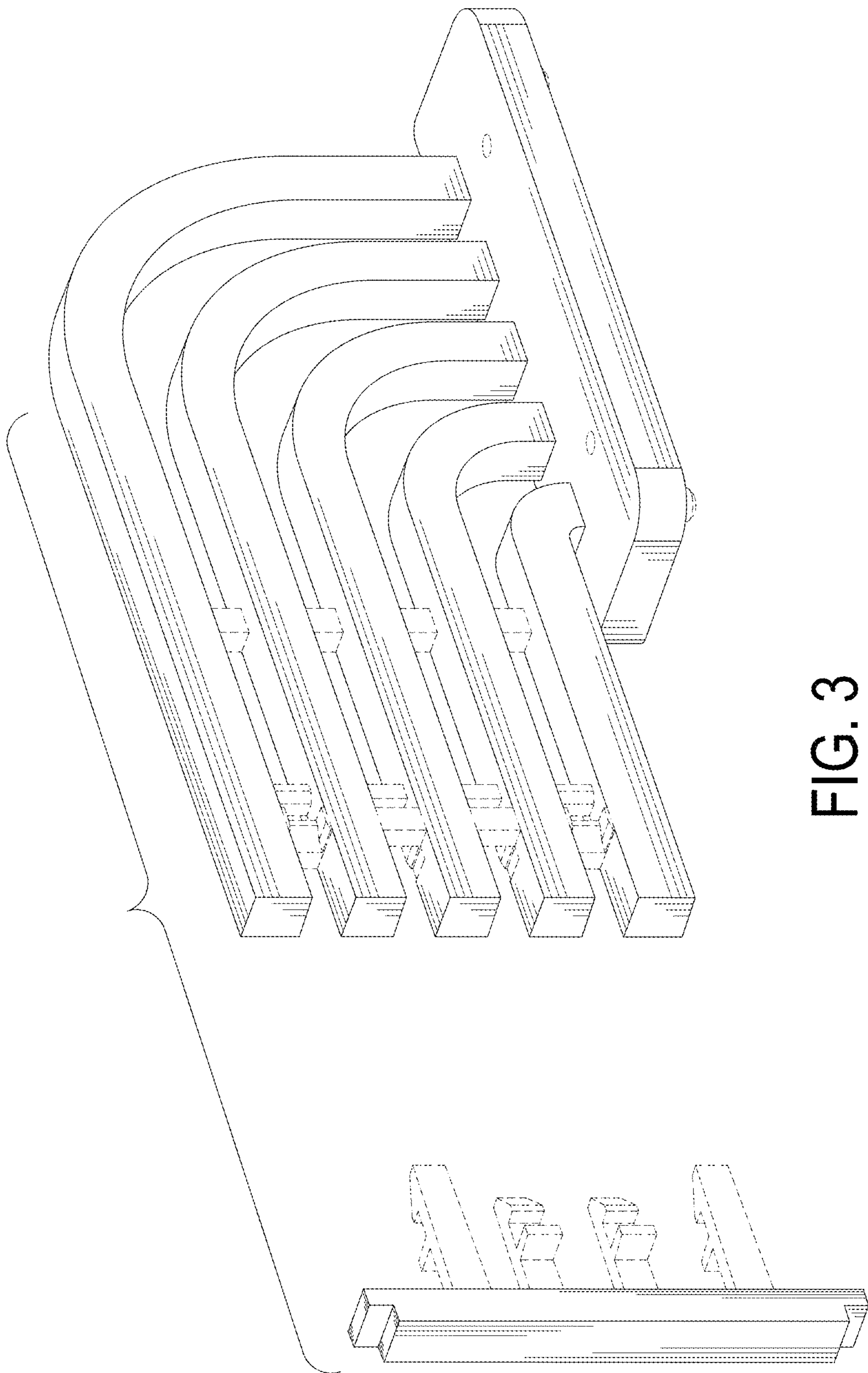


FIG. 3

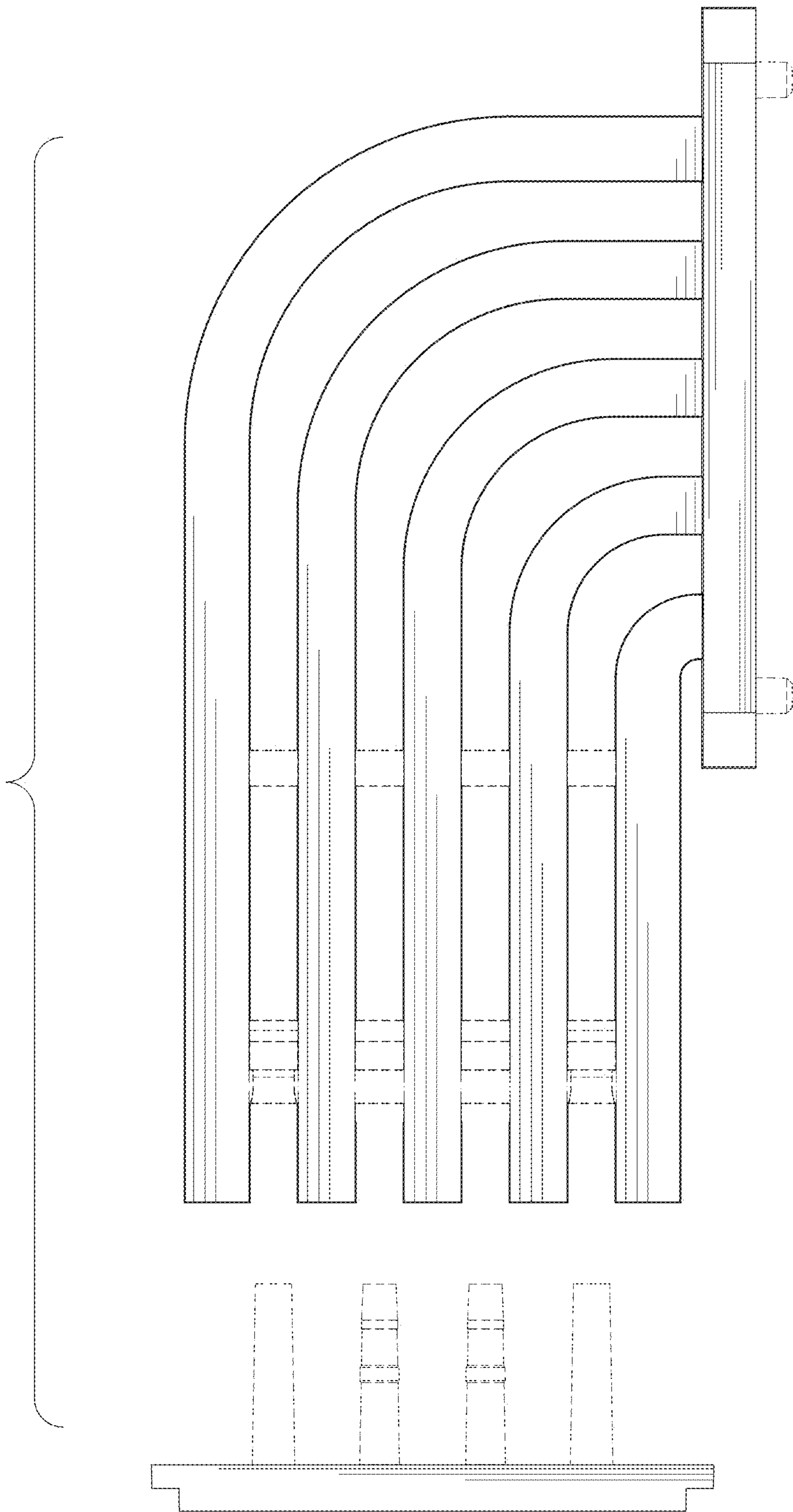


FIG. 4

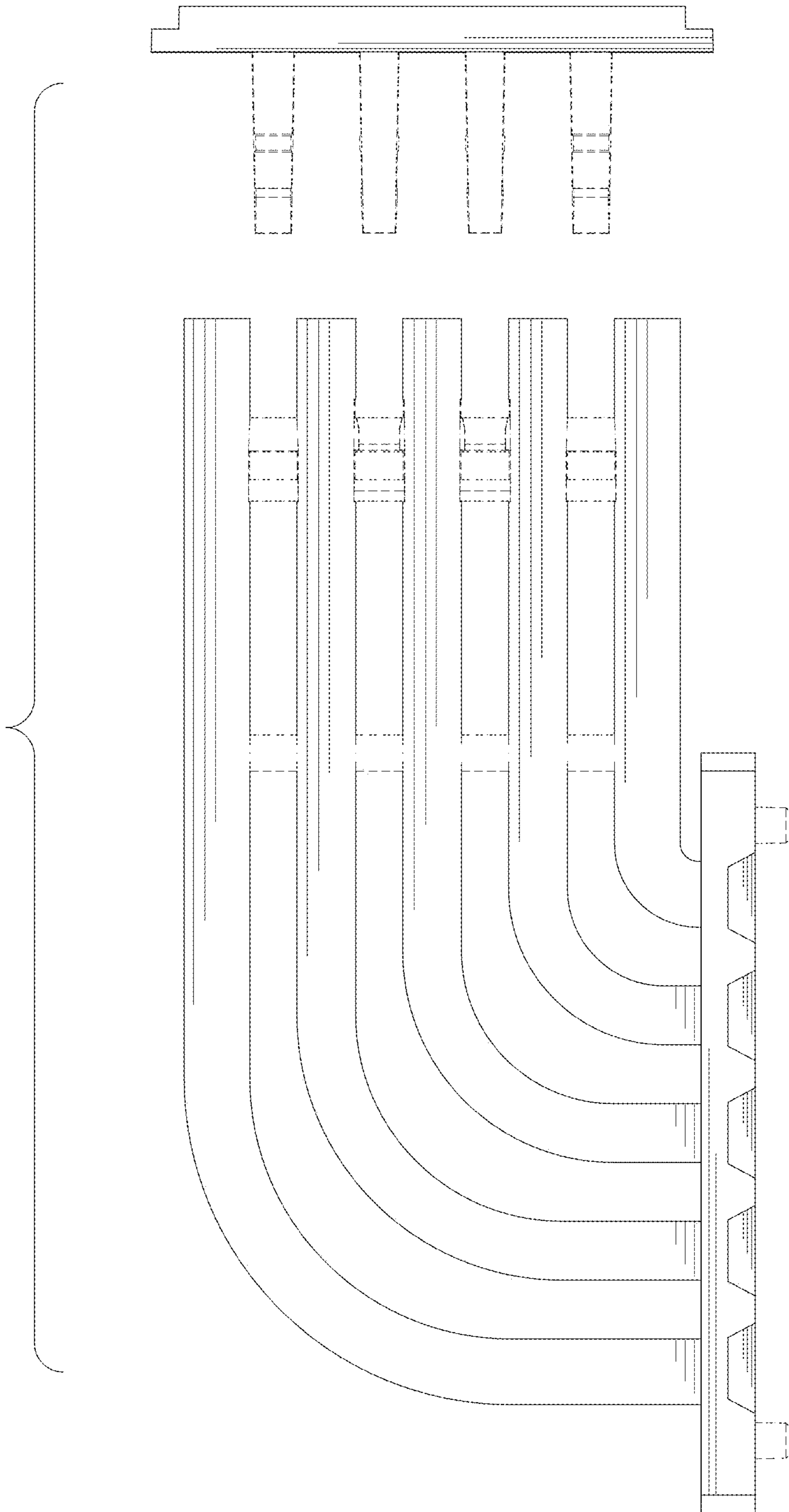


FIG. 5

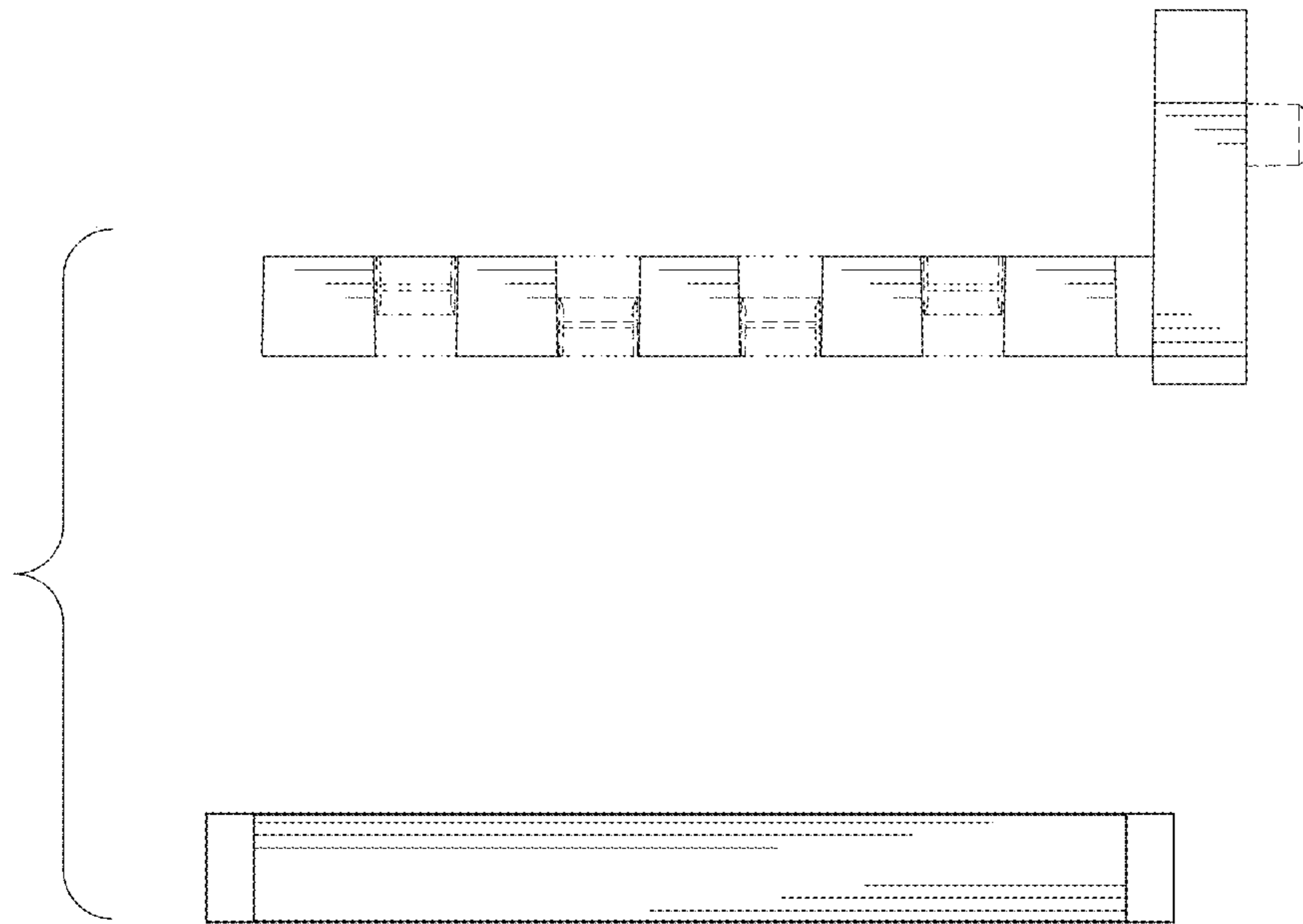


FIG. 6

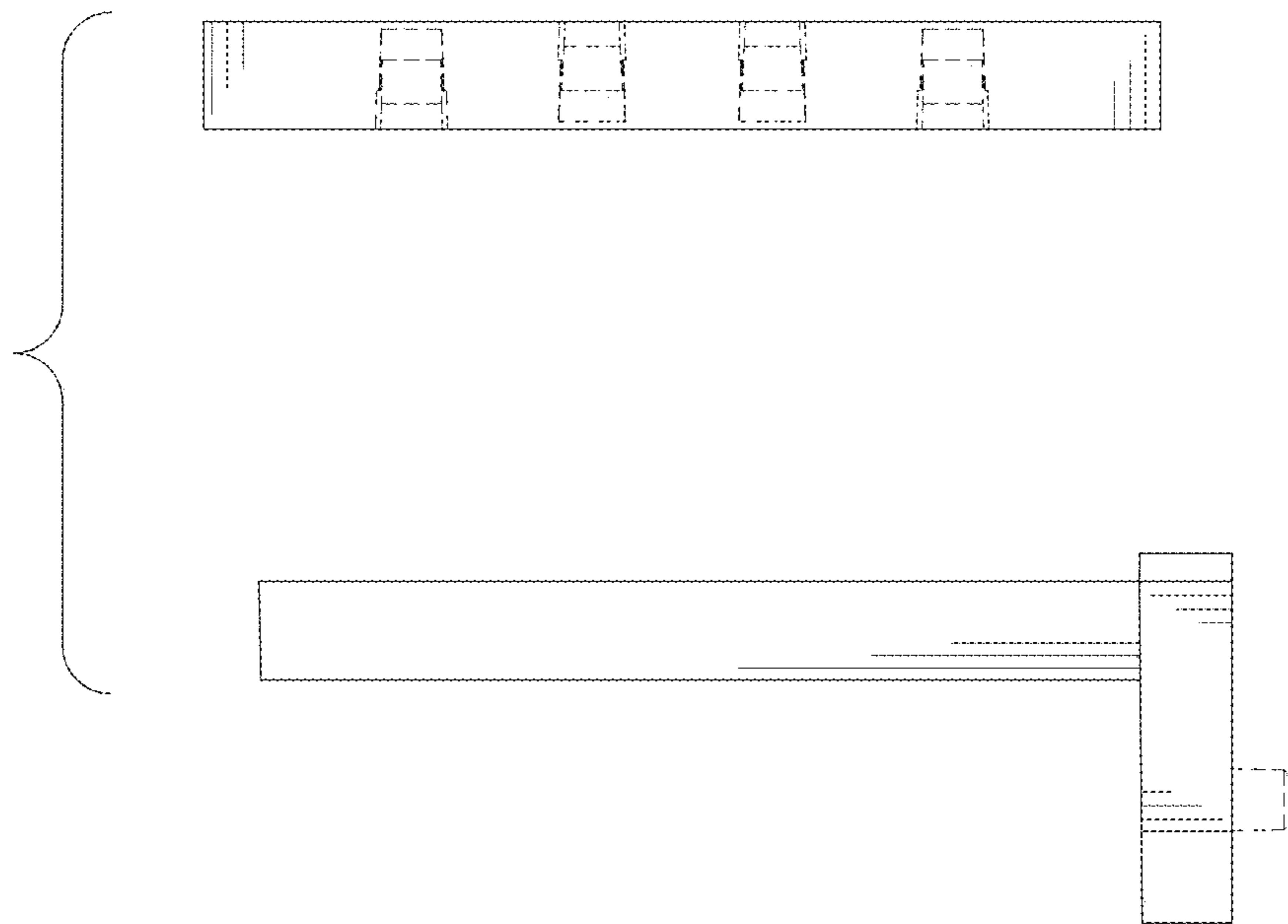


FIG. 7

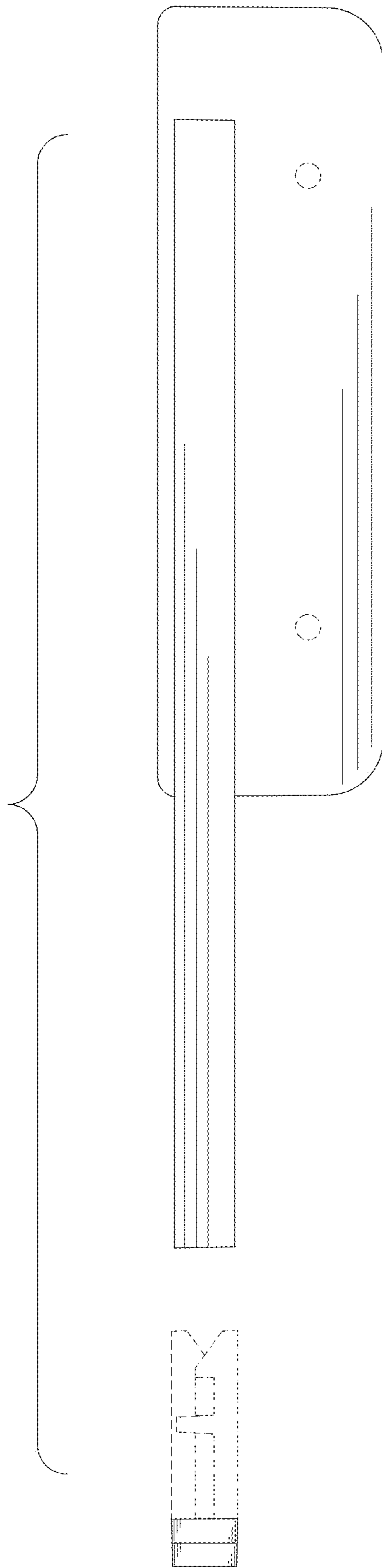


FIG. 8

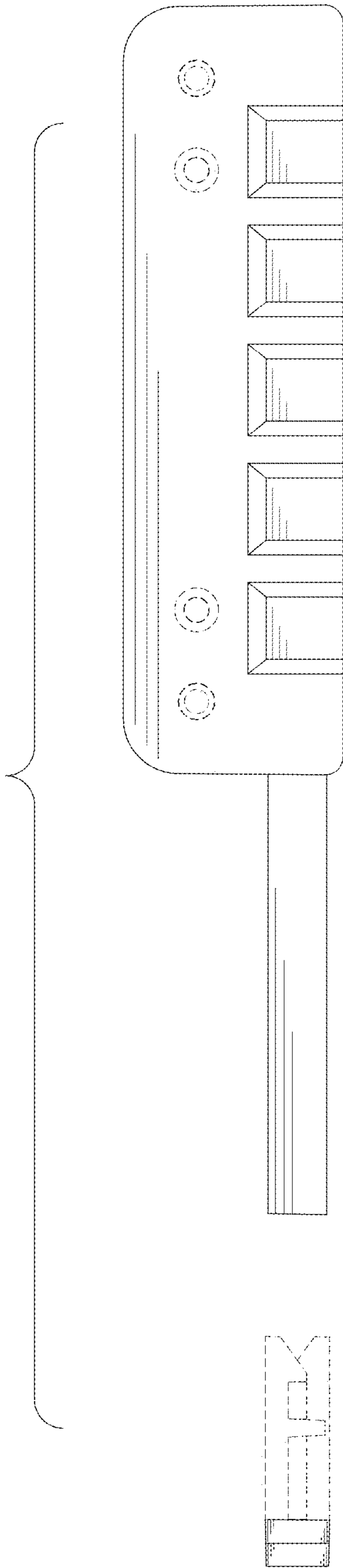


FIG. 9