

US00D967987S

(12) **United States Design Patent** (10) **Patent No.:** **US D967,987 S**  
**Koman** (45) **Date of Patent:** **\*\* Oct. 25, 2022**

(54) **FRICITION PILE**

D572,986 S ‡ 7/2008 Zhu ..... D8/1  
7,472,874 B2\* 1/2009 Gross ..... E04H 12/2215

(71) Applicant: **Allentown Infrastructure Group, LLC**, Macungie, PA (US)

D674,256 S ‡ 1/2013 Charette ..... D8/1  
(Continued)

(72) Inventor: **Tiffany L. Koman**, Finleyville, PA (US)

**FOREIGN PATENT DOCUMENTS**

(73) Assignee: **Allentown Infrastructure Group, LLC**, Macungie, PA (US)

WO 2016187615 A1 11/2016

(\*\*) Term: **15 Years**

**OTHER PUBLICATIONS**

(21) Appl. No.: **29/686,149**

HC Lighting Solutions—Replacement for Kitchler 8-Inch In-Ground Stake, May 1, 2018, amazon.com, Oct. 13, 2021.URL: <https://www.amazon.com/dp/B07535QZSY> (Year: 2018).\*

(22) Filed: **Apr. 2, 2019**

(Continued)

**Related U.S. Application Data**

*Primary Examiner* — Keith J Wilson

(63) Continuation of application No. 29/600,987, filed on Apr. 18, 2017, now abandoned.

(74) *Attorney, Agent, or Firm* — Design IP

(51) **LOC (13) Cl.** ..... **25-01**

(57) **CLAIM**

(52) **U.S. Cl.**

The ornamental design for a friction pile, as shown and described.

USPC ..... **D25/126**

**DESCRIPTION**

(58) **Field of Classification Search**

USPC ..... D21/840; D26/138, 140; D25/77, 78; D8/1

CPC ..... E02D 5/223; E02D 5/285; E02D 7/06; E02D 2300/0032; E02D 2200/1642

See application file for complete search history.

FIG. 1 is a front view of a friction pile showing my new design.

FIG. 2 is a rear view thereof.

FIG. 3 is a right side view thereof.

FIG. 4 is a left side view thereof.

FIG. 5 is a top view thereof.

FIG. 6 is a bottom view thereof.

FIG. 7 is an enlarged partial top perspective view of area 7-7 of FIG. 1; and,

FIG. 8 is an enlarged partial bottom perspective view of area 8-8 of FIG. 1.

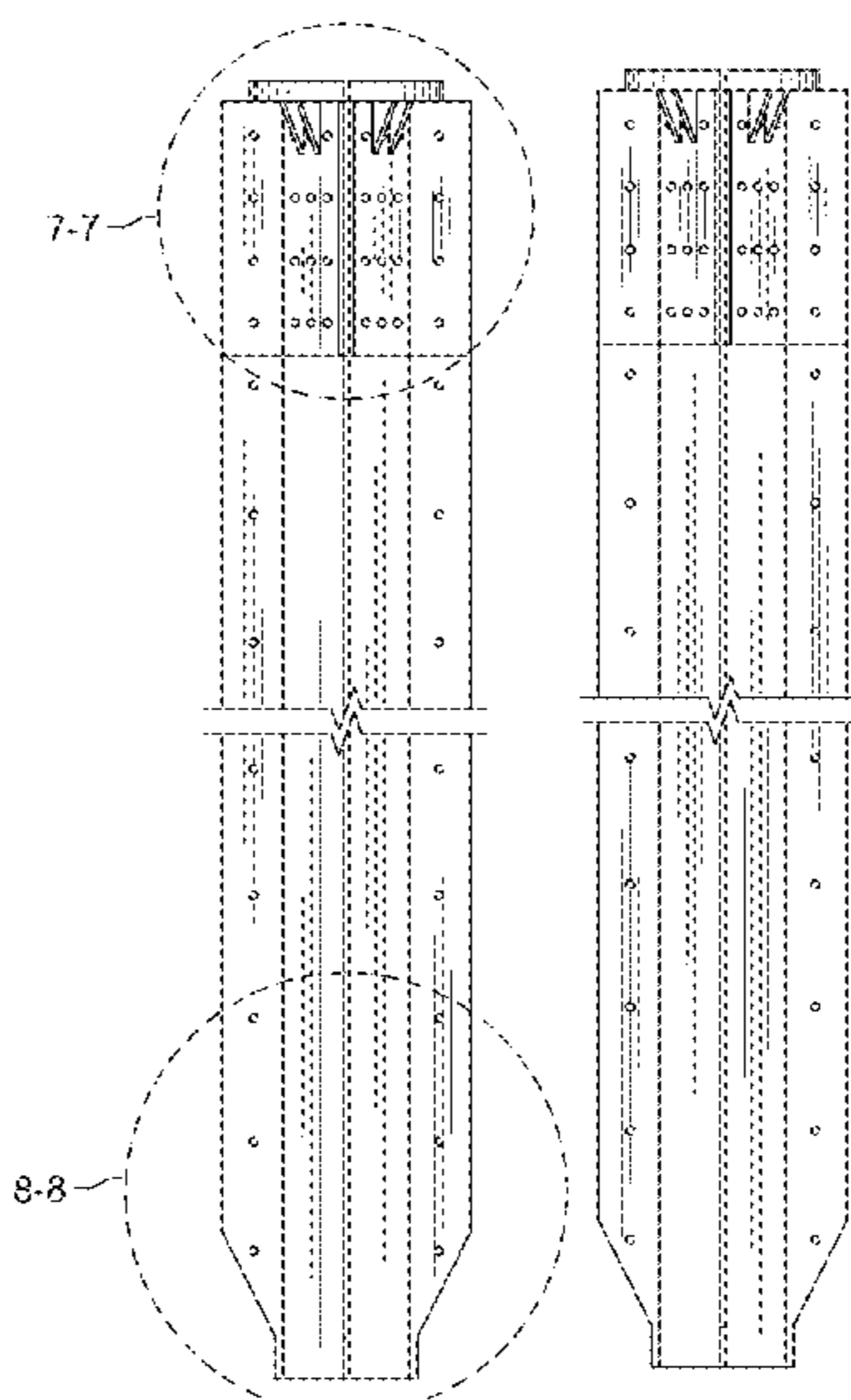
The friction pile is shown in FIGS. 1-4 with a break line to indicate non-specified length. The appearance of any portion of the article between the break lines forms no part of the claimed design.

(56) **References Cited**

**U.S. PATENT DOCUMENTS**

D282,104 S *	1/1986	Taylor	.....	D25/131
D287,041 S ‡	12/1986	Gitchel	.....	D21/837
D349,434 S ‡	8/1994	Archambeau	.....	D8/1
D380,569 S *	7/1997	Garber	.....	D21/840
D415,018 S *	10/1999	Uhler	.....	D21/840
6,039,298 A ‡	3/2000	Stier	.....	E04H 12/2215
				248/156
D492,976 S ‡	7/2004	Hsu	.....	D21/840
D493,205 S *	7/2004	Combes	.....	D21/840

**1 Claim, 4 Drawing Sheets**



(56)

References Cited

U.S. PATENT DOCUMENTS

D682,054 S ‡ 5/2013 Gary ..... D8/1  
 8,523,134 B2 ‡ 9/2013 Walker ..... E04H 12/2215  
 248/156  
 D702,515 S \* 4/2014 Garber ..... D8/1  
 D710,661 S \* 8/2014 Lu ..... D8/1  
 D725,296 S \* 3/2015 Taylor ..... D25/126  
 D725,297 S \* 3/2015 Taylor ..... D25/126  
 D731,867 S \* 6/2015 Paternostro ..... D8/1  
 9,057,169 B1 \* 6/2015 Perko ..... E02D 5/56  
 D769,468 S 10/2016 Pope  
 D769,469 S 10/2016 Pope  
 D772,436 S 11/2016 Pope  
 D798,678 S \* 10/2017 Walsh ..... D8/1  
 D803,017 S ‡ 11/2017 Lais ..... D8/1  
 D815,560 S \* 4/2018 Lo ..... D11/143  
 D815,929 S \* 4/2018 Sigston ..... D8/1  
 D842,056 S \* 3/2019 Golledge ..... D8/1  
 D874,890 S \* 2/2020 Lazarov ..... D8/1  
 D891,204 S \* 7/2020 McGrade ..... D8/1  
 D932,057 S \* 9/2021 Golledge ..... D25/126  
 D950,776 S \* 5/2022 Shaffer ..... D25/126  
 D951,530 S \* 5/2022 Klus ..... D26/138  
 D953,581 S \* 5/2022 Palazzo ..... D25/126  
 11,319,752 B2 \* 5/2022 McMillan ..... E21B 4/10  
 11,332,906 B2 \* 5/2022 Collins ..... E02D 13/00  
 D954,300 S \* 6/2022 Palazzo ..... D25/126  
 2012/0087740 A1 \* 4/2012 Stroyer ..... E02D 5/56  
 405/241  
 2016/0168816 A1 \* 6/2016 Pope ..... E02D 5/223  
 52/292  
 2016/0186403 A1 \* 6/2016 Tomchesson ..... E02D 5/526  
 405/244

2017/0301265 A1 \* 10/2017 Kyle ..... G09F 7/18  
 2018/0148901 A1 \* 5/2018 Kemp ..... E02D 5/223  
 2018/0347136 A1 \* 12/2018 Koman ..... E02D 5/285  
 2019/0338485 A1 \* 11/2019 Arena ..... E02D 5/223  
 2020/0308794 A1 \* 10/2020 Genest ..... E02D 27/42  
 2022/0145565 A1 \* 5/2022 Kelleher ..... H02S 20/32  
 2022/0170224 A1 \* 6/2022 Trebil ..... E02D 27/32  
 2022/0170225 A1 \* 6/2022 Yang ..... E02D 5/223

OTHER PUBLICATIONS

KINGLAKE 30 Pcs 6 Inches Plastic Tarp Stakes Anchors , Apr. 23, 2018, amazon.com, Oct. 13, 2021, URL: <https://www.amazon.com/KINGLAKE-Plastic-Anchors-Keeping-Landscape/product-reviews/B01IP0AIXK> (Year: 2018).\*

Hikemax 10/30 Pack Plastic Tent Stakes—9 Inch Heavy Duty Beach Tent, Aug. 21, 2019, amazon.com, Oct. 13, 2021, URL: <https://www.amazon.com/Hikemax-Pack-Plastic-Tent-Stakes/dp/B07W65LVZL> (Year: 2019).\*

Skin friction resistance of expansion steel pipe piles in sandy soils, Nov. 21, 2018, onlinelibrary.wiley.com, Jun. 7, 2022, URL: <https://onlinelibrary.wiley.com/doi/full/10.1002/2475-8876.12071> (Year: 2018).\*

Browning Enterprise, Inc., Aug. 24, 2017, youtube.com, Jun. 7, 2022, URL: <https://www.youtube.com/watch?v=UPIq9RQWiSI> (Year: 2017).\*

Azarxis Aluminum Tent Stakes, May 29, 2018, amazon.ca, Jun. 7, 2018, URL: <https://www.amazon.ca/Azarxis-Aluminum-Stakes-Lightweight-Camping/dp/B07D9BBS1W/> (Year: 2018).\*

\* cited by examiner

‡ imported from a related application

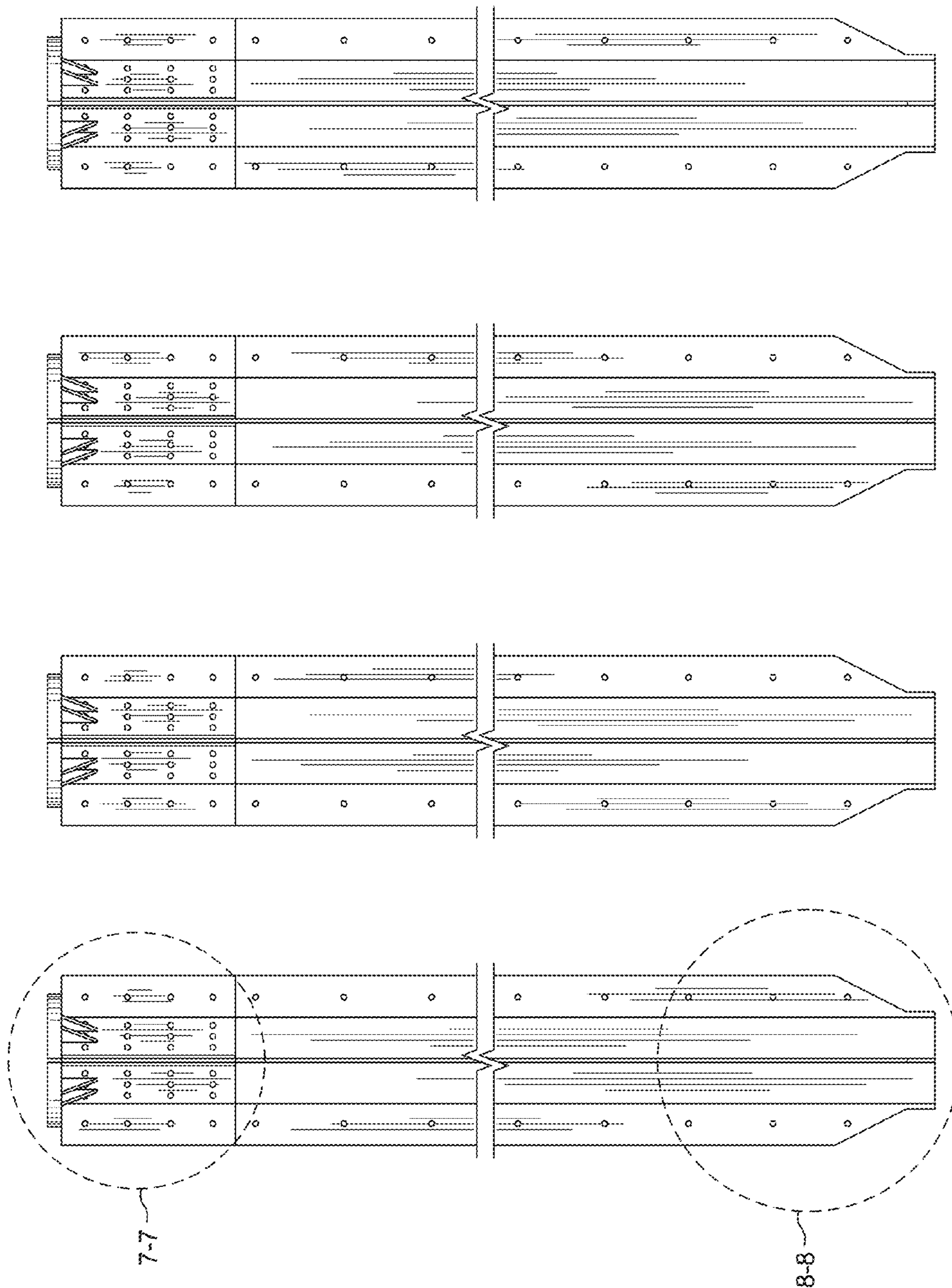


FIG. 4

FIG. 3

FIG. 2

FIG. 1



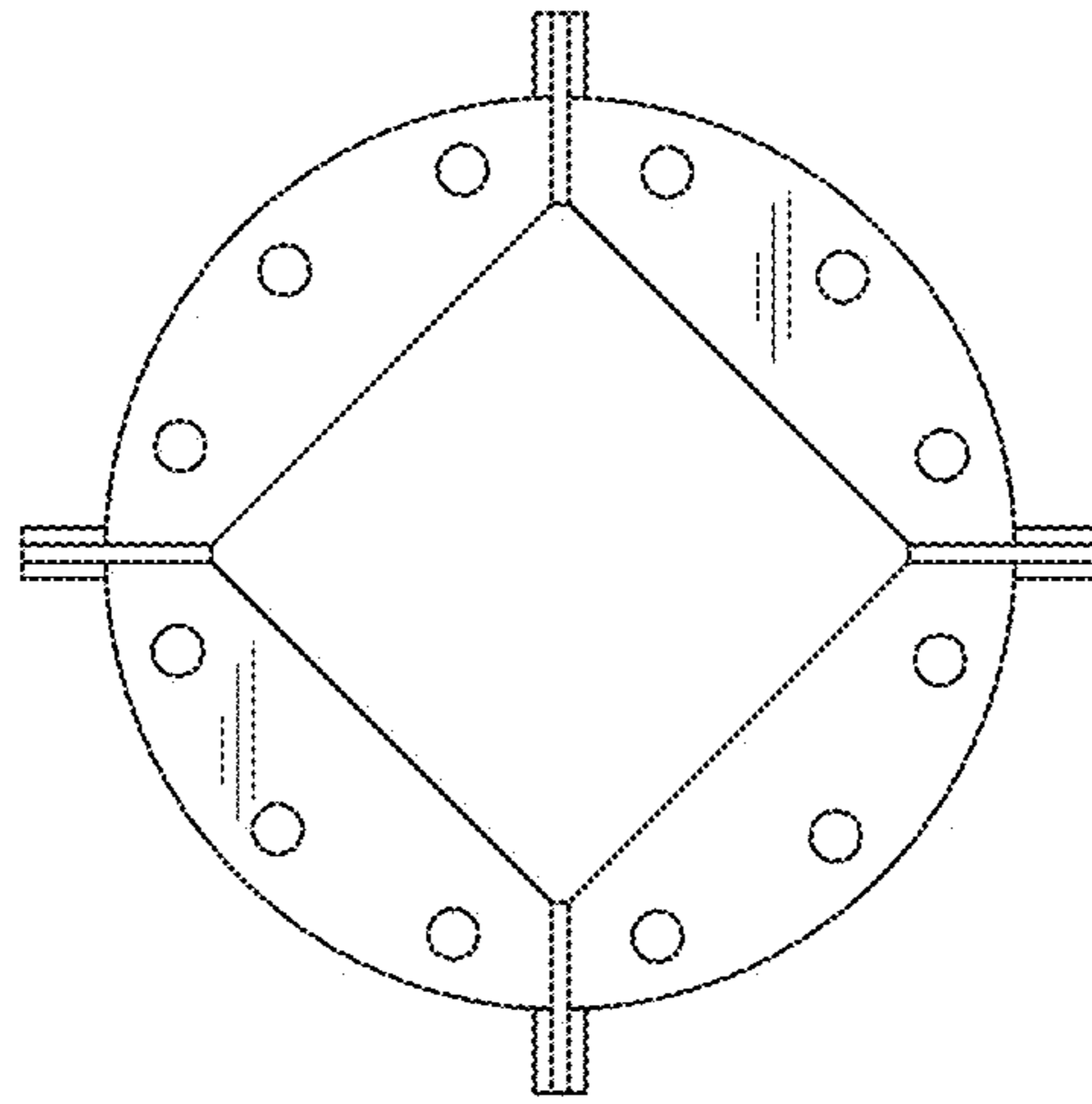


FIG. 5

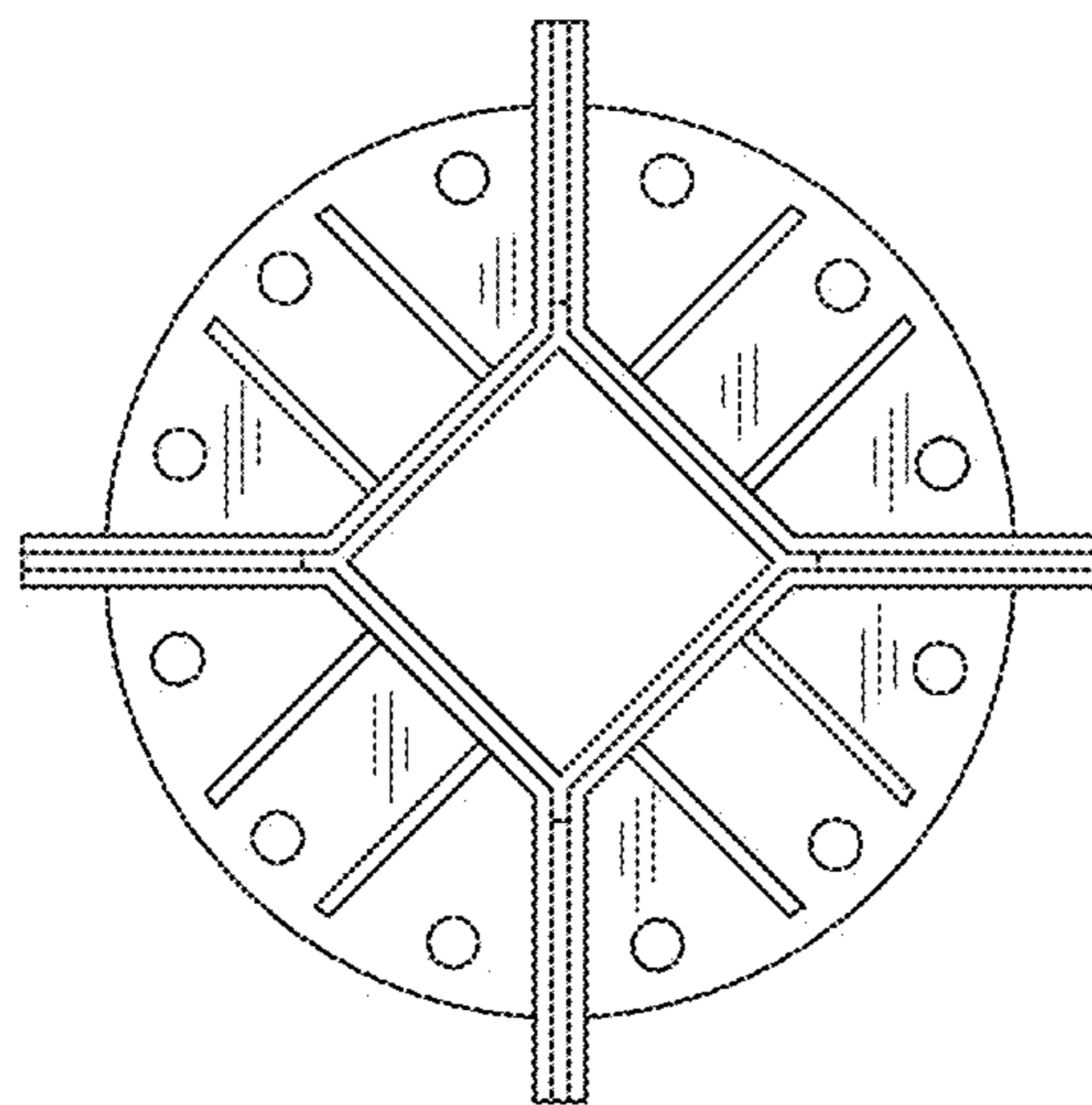


FIG. 6

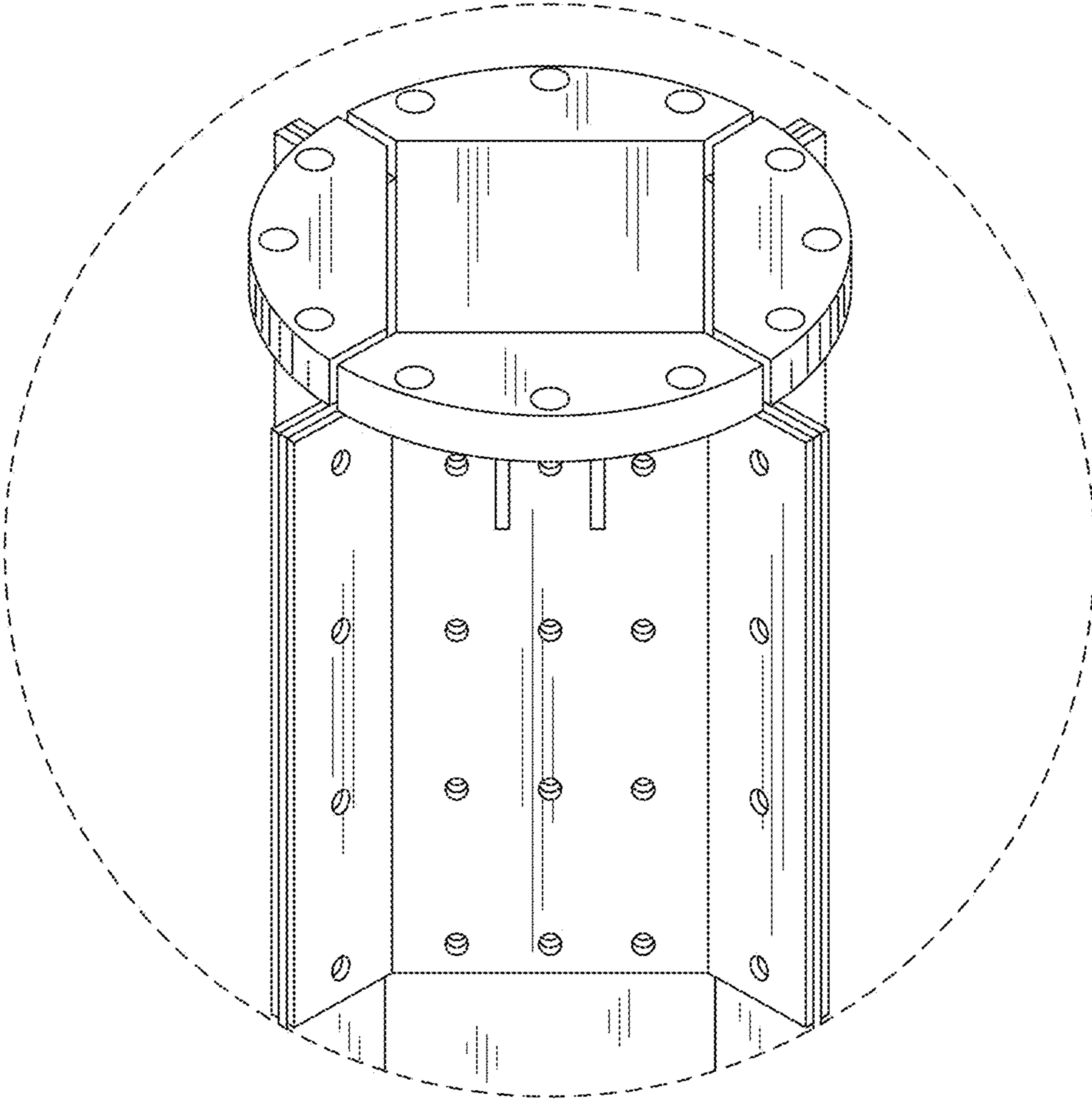


FIG. 7

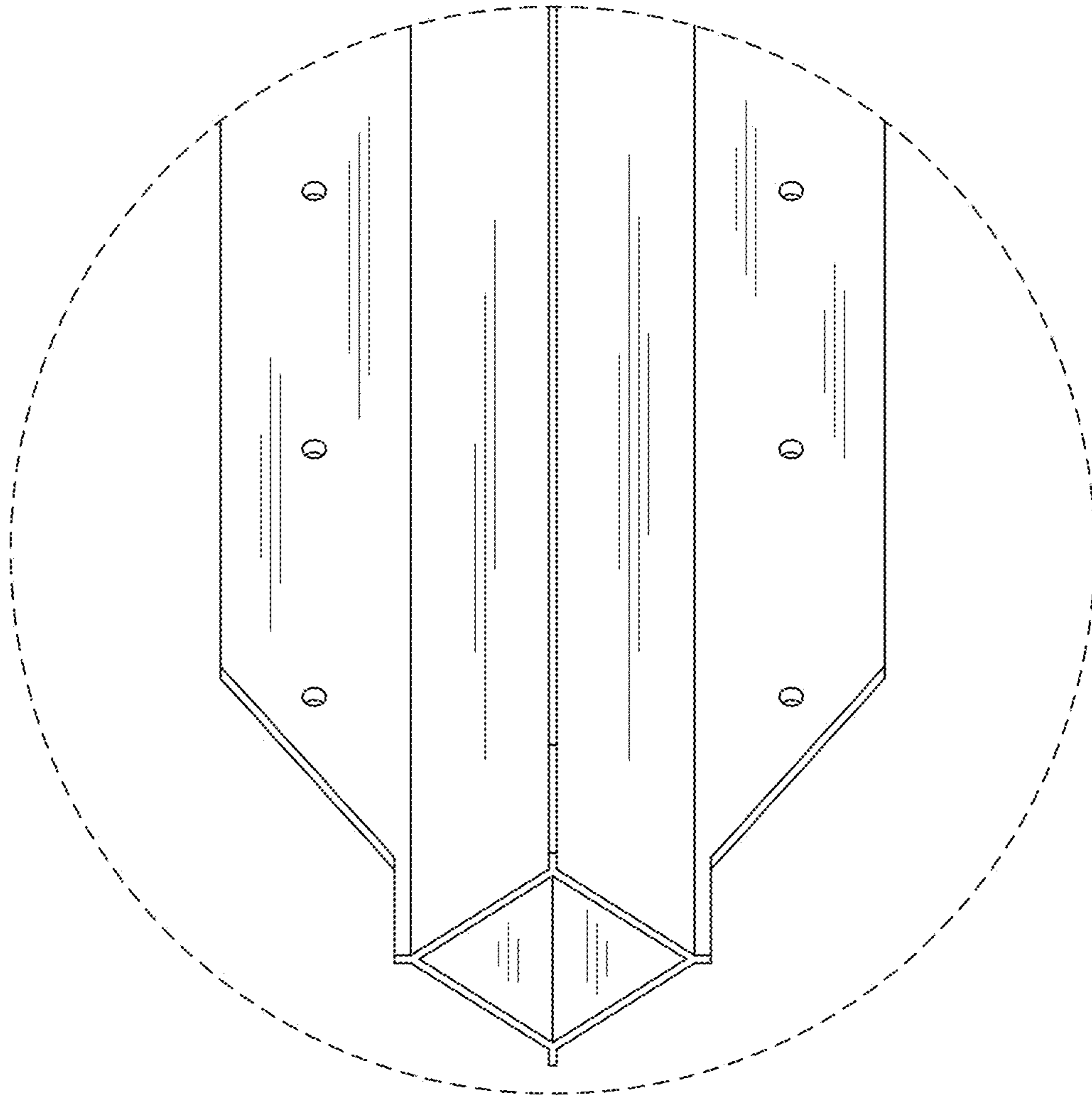


FIG. 8