



US00D967985S

(12) **United States Design Patent**
Suga

(10) **Patent No.:** **US D967,985 S**
(45) **Date of Patent:** **** Oct. 25, 2022**

- (54) **CONCRETE BUILDING BLOCK**
- (71) Applicant: **ASURO Co., LTD.**, Shiraoka (JP)
- (72) Inventor: **Masaaki Suga**, Shiraoka (JP)
- (73) Assignee: **ASURO Co., LTD.**, Shiraoka (JP)
- (**) Term: **15 Years**
- (21) Appl. No.: **29/819,524**
- (22) Filed: **Dec. 15, 2021**

| | | | |
|--------------|---------|------------------|---------|
| D225,846 S | 1/1973 | Cruzen, Jr. | |
| 3,855,752 A | 12/1974 | Aylon | |
| D245,999 S | 10/1977 | Strigle, Jr. | |
| 4,094,380 A | 6/1978 | Kobayashi et al. | |
| 4,473,985 A | 10/1984 | Hunt | |
| 5,048,250 A | 9/1991 | Elias | |
| 5,729,943 A | 3/1998 | Cambiuzzi | |
| D409,313 S | 5/1999 | Behunin | |
| D542,405 S | 5/2007 | Esjunin | |
| D633,630 S | 3/2011 | Jacot et al. | |
| D655,021 S | 2/2012 | Oetlinger | |
| D893,053 S | 8/2020 | Bott | |
| D902,444 S | 11/2020 | Suga | |
| D915,627 S | 4/2021 | Phan et al. | |
| D945,643 S * | 3/2022 | Suga | D25/115 |
| D953,580 S * | 5/2022 | Suga | D25/115 |

(Continued)

Related U.S. Application Data

- (62) Division of application No. 35/510,618, filed on Apr. 23, 2020 (U.S. filing date under 35 U.S.C. 384), and having an international filing date of Apr. 23, 2020, now Pat. No. Des. 953,580.

Foreign Application Priority Data

- Dec. 6, 2019 (JP) 2019-027112 D
- (51) **LOC (13) Cl.** **25-01**
- (52) **U.S. Cl.**
USPC **D25/115**
- (58) **Field of Classification Search**
USPC D8/373; D10/113.3; D21/484, 485, 486,
D21/489, 491, 494, 499; D25/38.1, 48.2,
D25/48.4, 60, 112-116, 118, 119, 136,
D25/138, 140, 141, 134, 156, 163, 199
CPC E04B 2/18; E04B 2/46; E04B 2/54; E04B
2002/0208; E04C 1/41
See application file for complete search history.

References Cited

U.S. PATENT DOCUMENTS

| | | |
|-------------|---------|----------|
| 308,577 A | 11/1884 | Richards |
| D138,256 S | 7/1944 | McCammon |
| 2,498,276 A | 2/1950 | Kany |

FOREIGN PATENT DOCUMENTS

GB RGN 30613840 8/2020

Primary Examiner — Richard Kearney

(74) *Attorney, Agent, or Firm* — Saidman DesignLaw Group, LLC

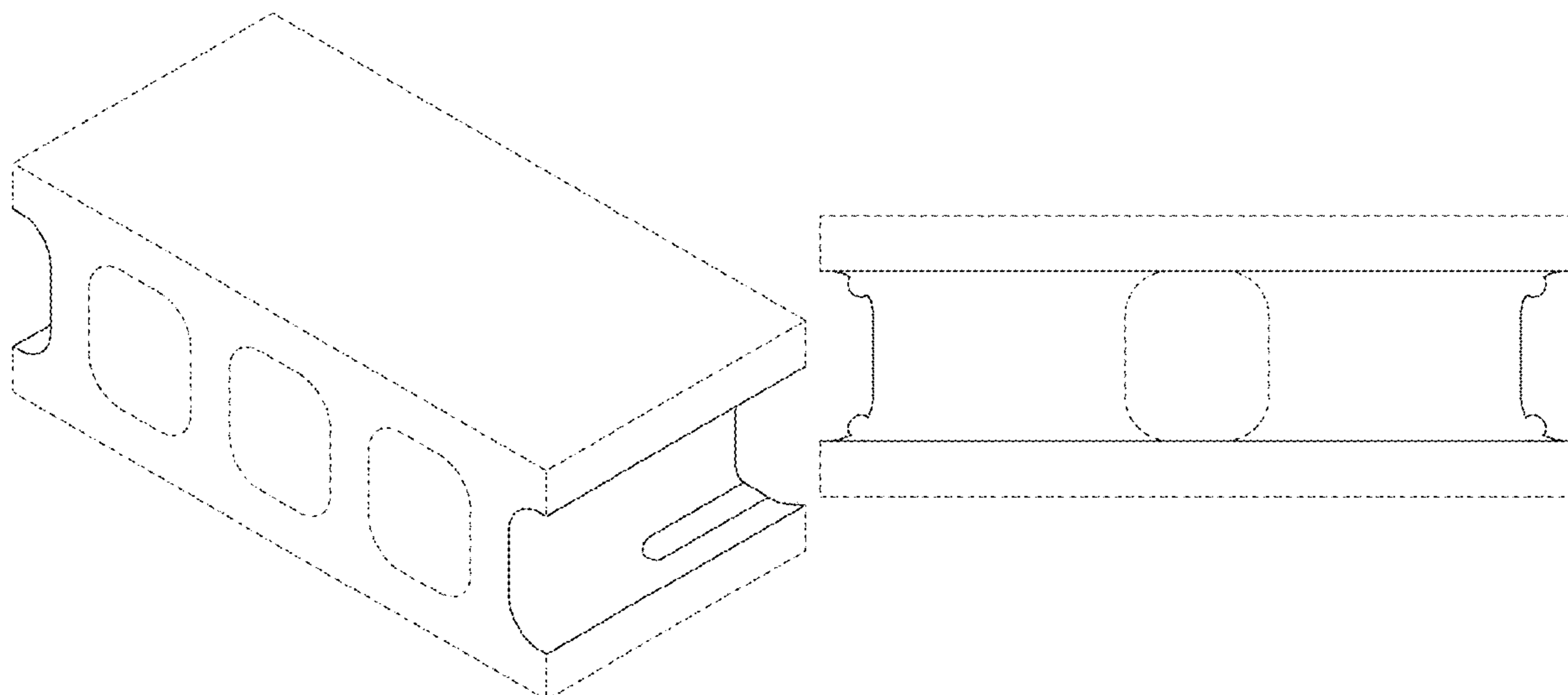
(57) **CLAIM**

The ornamental design for a concrete building block, as shown and described.

DESCRIPTION

FIG. 1 is a perspective view of a concrete building block showing my new design;
 FIG. 2 is a front view thereof;
 FIG. 3 is a rear view thereof;
 FIG. 4 is a top view thereof;
 FIG. 5 is a bottom view thereof;
 FIG. 6 is a left side view thereof;
 FIG. 7 is a right side view thereof; and,
 FIG. 8 is a cross-sectional view of FIG. 2 thereof.
 The broken lines depict portions of the concrete building block which form no part of the claimed design.

1 Claim, 8 Drawing Sheets



(56)

References Cited

U.S. PATENT DOCUMENTS

2015/0218805 A1 8/2015 Jensen
2020/0032513 A1 1/2020 Devito

* cited by examiner

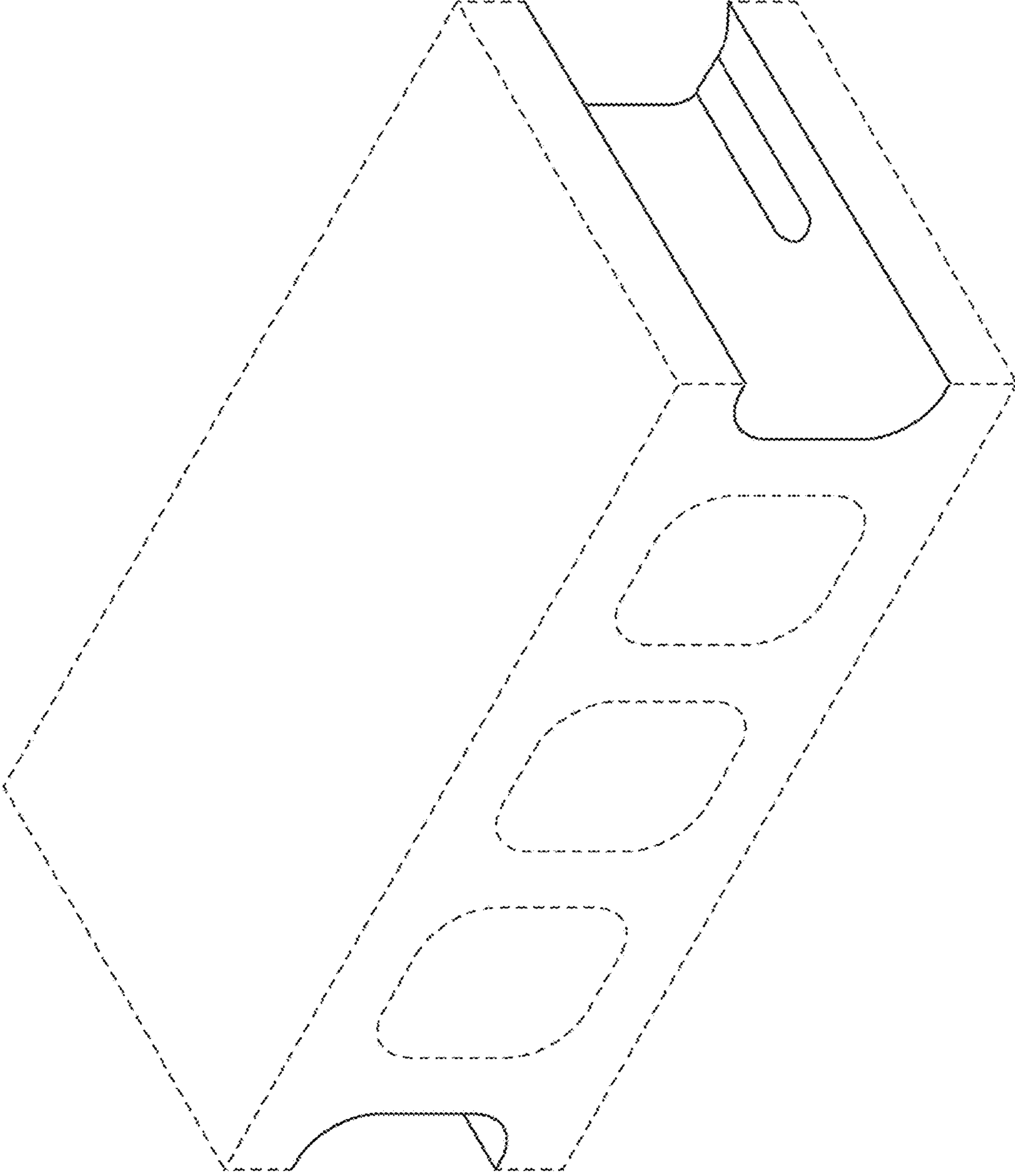


FIG. 1

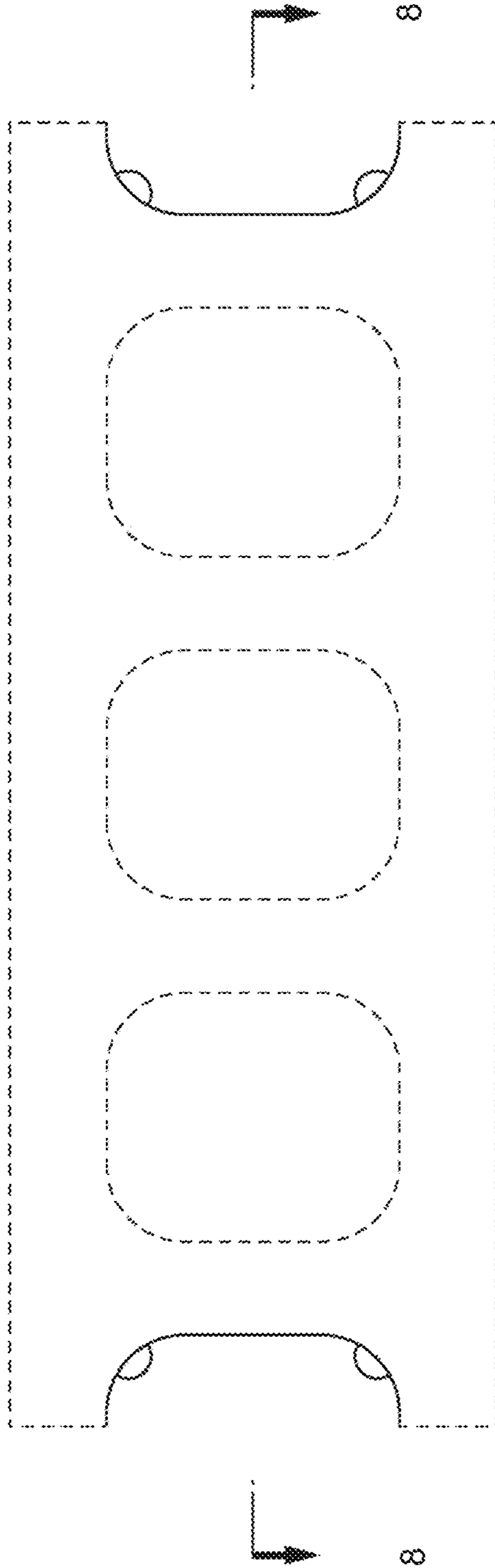


FIG. 2

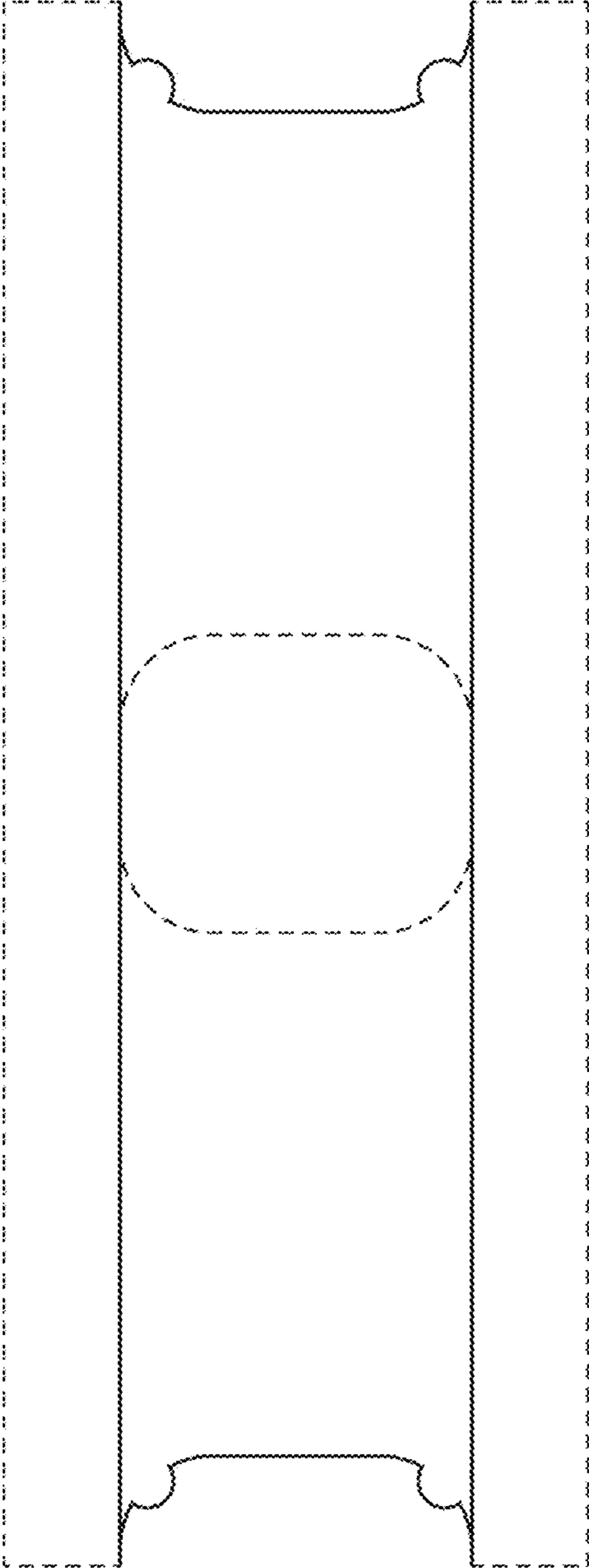


FIG. 3

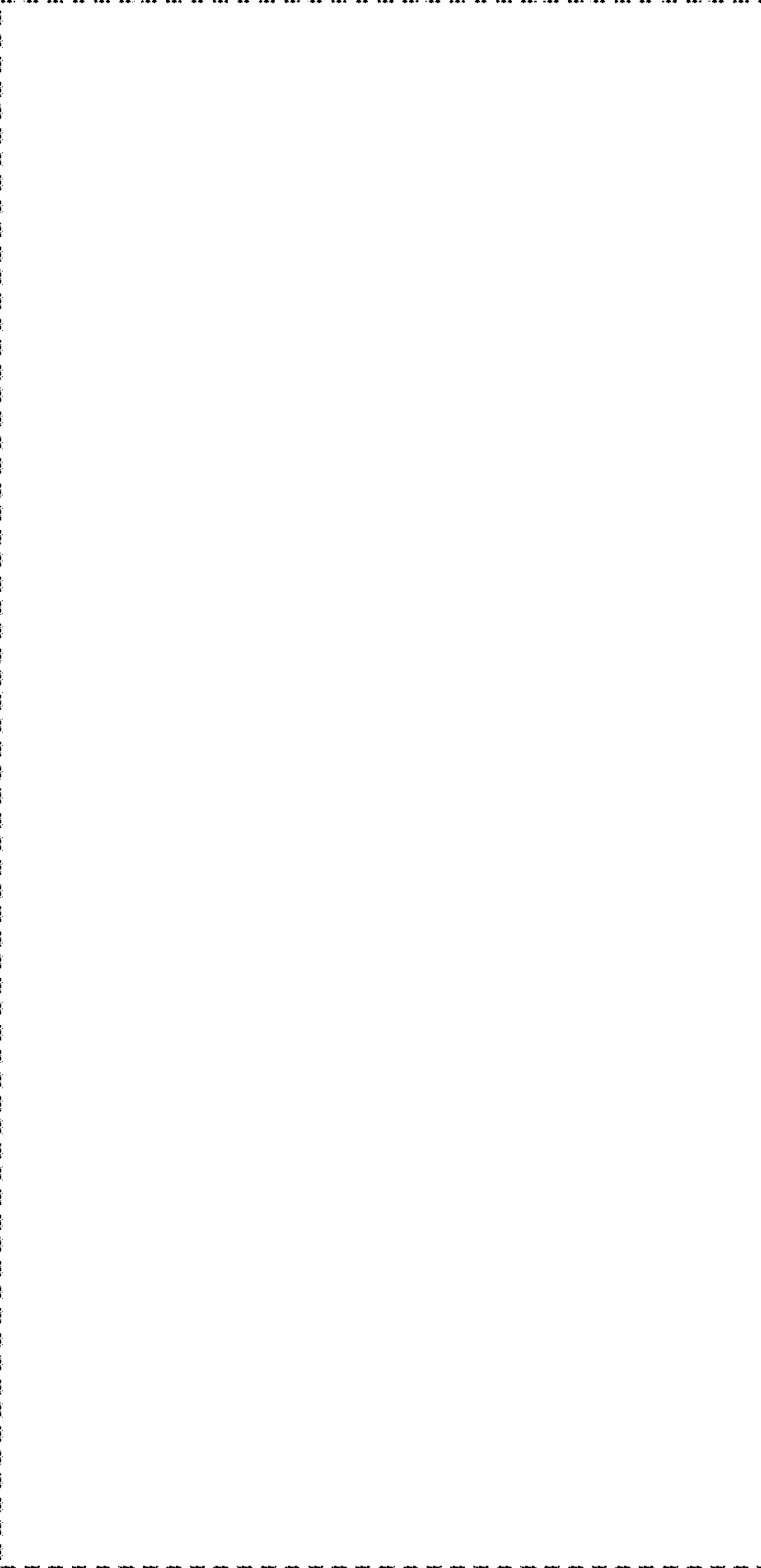


FIG. 4

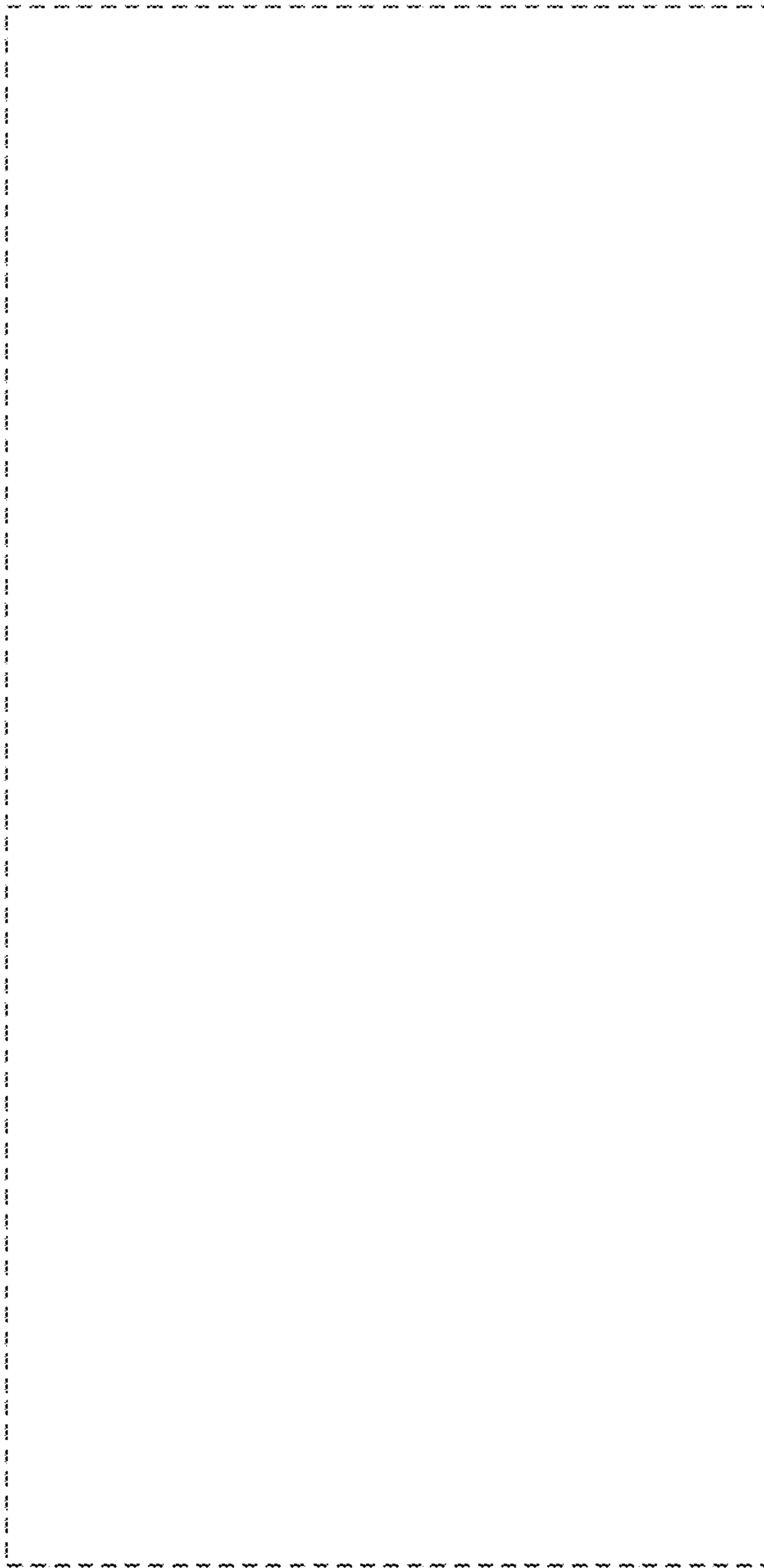


FIG. 5

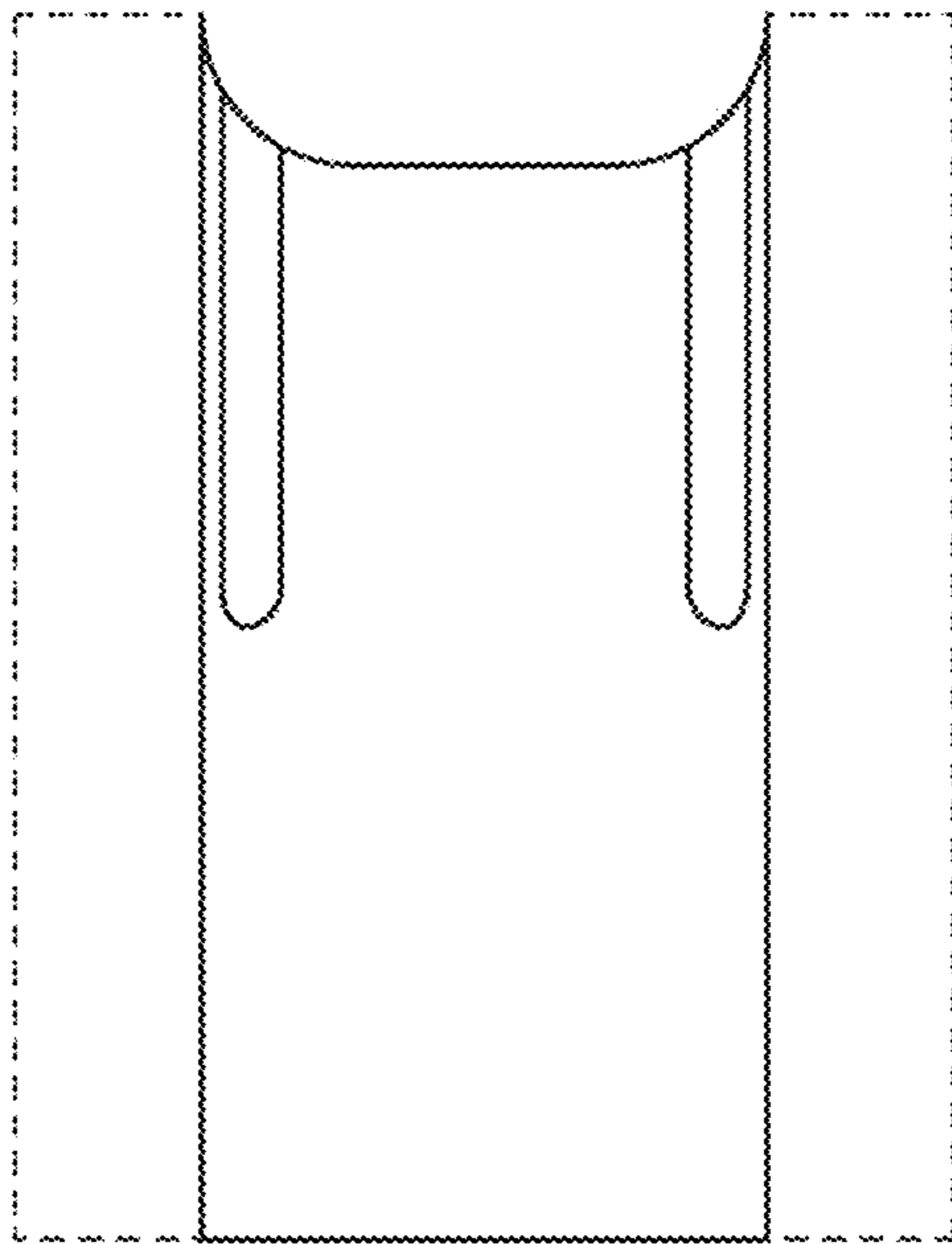


FIG. 6

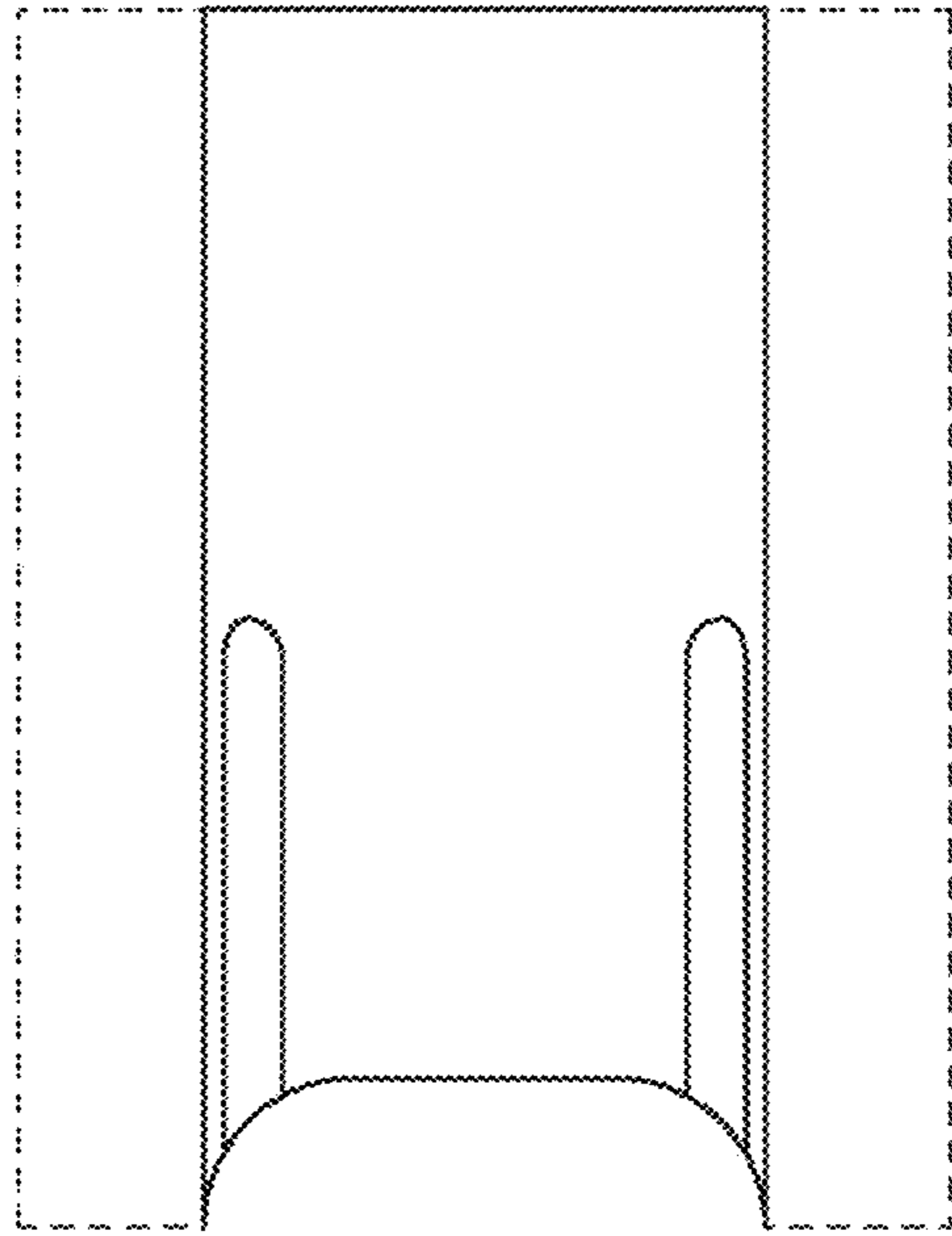


FIG. 7

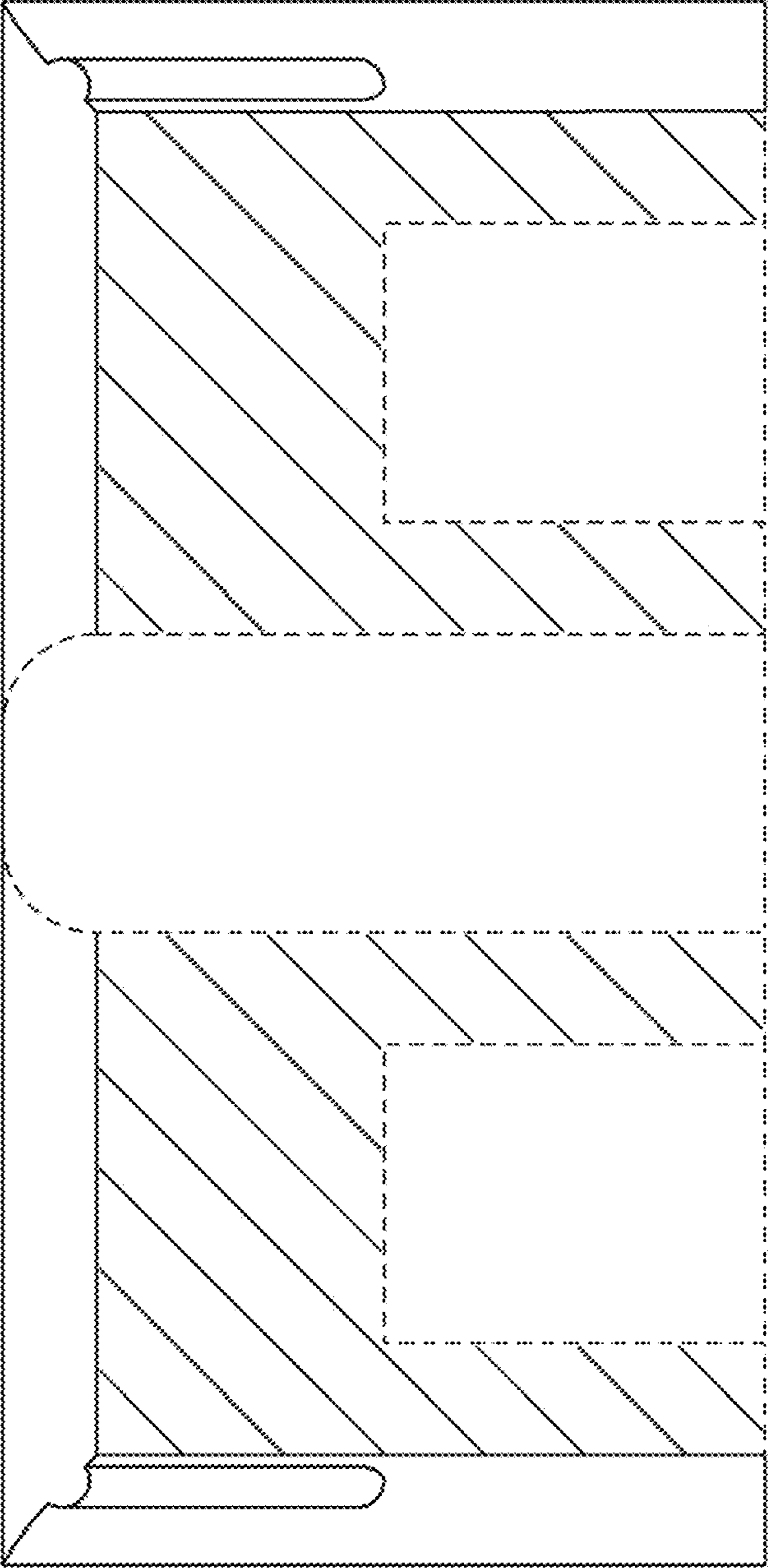


FIG. 8