

US00D967982S

(12) **United States Design Patent** (10) **Patent No.:** **US D967,982 S**
Dancy et al. (45) **Date of Patent:** **** Oct. 25, 2022**

- (54) **ANTI-LIGATURE DOOR FRAME COVER**
- (71) Applicant: **NATIONAL GUARD PRODUCTS, INC.**, Memphis, TN (US)
- (72) Inventors: **Derald Gene Dancy**, Collierville, TN (US); **Theophil Durwin Goossens**, Southaven, MS (US)
- (73) Assignee: **NATIONAL GUARD PRODUCTS, INC.**, Memphis, TN (US)
- (**) Term: **15 Years**
- (21) Appl. No.: **29/723,138**
- (22) Filed: **Feb. 4, 2020**
- (51) **LOC (13) Cl.** **25-02**
- (52) **U.S. Cl.**
USPC **D25/60; D25/55**
- (58) **Field of Classification Search**
USPC D25/35, 48.3, 55, 60, 61, 119, 121; D8/400
CPC . E06B 1/52; E06B 3/7001; E06B 1/34; E06B 2001/622; E06B 3/88; E06B 7/36; E06B 3/4636; E06B 3/302
See application file for complete search history.

2,837,183	A *	6/1958	Heiman	E06B 3/723
					D25/48.3
D271,812	S *	12/1983	Markus	D25/48.3
D427,512	S *	7/2000	Bensen	D8/400
D454,646	S *	3/2002	Bushnell	D25/55
D467,669	S *	12/2002	Givens	D25/38.1
D486,248	S *	2/2004	Sudano	D25/55
D606,209	S *	12/2009	Kelley	D25/55
D672,475	S *	12/2012	Phillips	D25/60
D891,914	S *	8/2020	Shilling	D8/400
2016/0097233	A1 *	4/2016	Esler	E06B 1/30
					52/204.1
2018/0274282	A1 *	9/2018	Nelson	F24C 15/08
2019/0162002	A1 *	5/2019	Colligan	E06B 3/4636
2020/0284086	A1 *	9/2020	Volpe	E06B 1/34
2021/0246710	A1 *	8/2021	Ko	E06B 1/52

* cited by examiner

Primary Examiner — Lauren R Calve

(74) *Attorney, Agent, or Firm* — Bass, Berry & Sims, PLC; Shu Chen

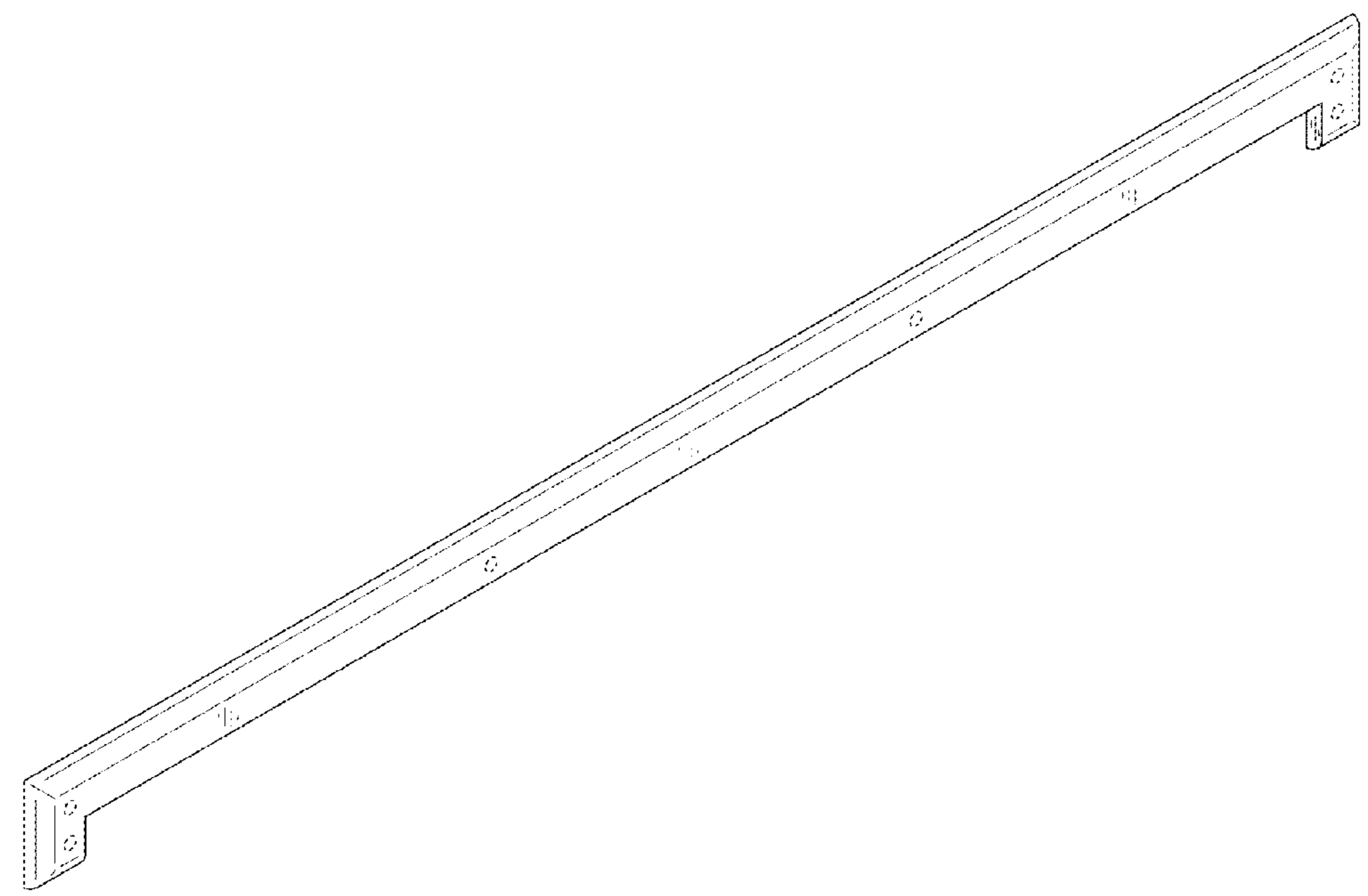
(57) **CLAIM**

The ornamental design for an anti-ligature door frame cover, as shown and described.

DESCRIPTION

FIG. 1 is a perspective view of an anti-ligature door frame cover showing our new design; FIG. 2 is a front side view thereof; FIG. 3 is a back side view thereof; FIG. 4 is a top plan view thereof; FIG. 5 is a bottom plan view thereof; FIG. 6 is a left side view thereof; and, FIG. 7 is a right side view thereof. The broken lines are included for the purpose of illustrating portions of the anti-ligature door frame cover that form no part of the claimed design.

1 Claim, 7 Drawing Sheets



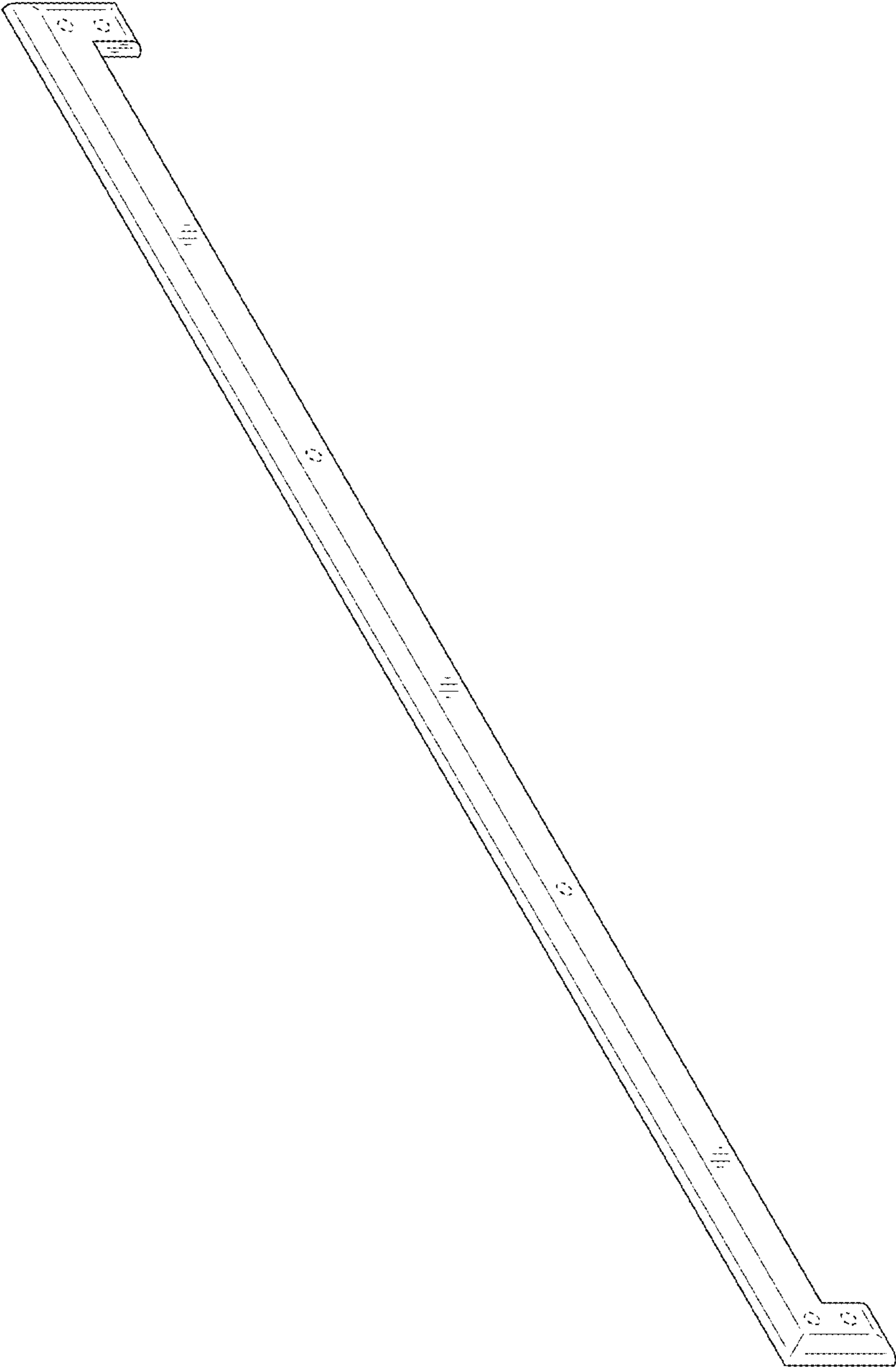


FIG. 1

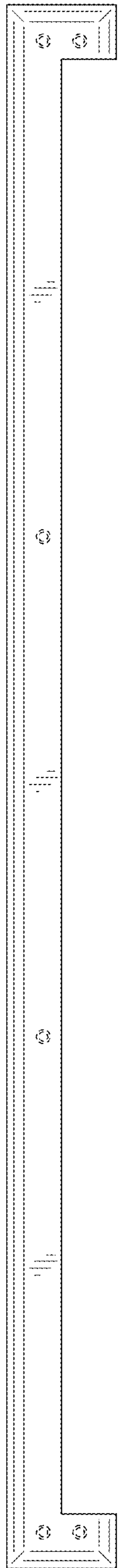


FIG. 2

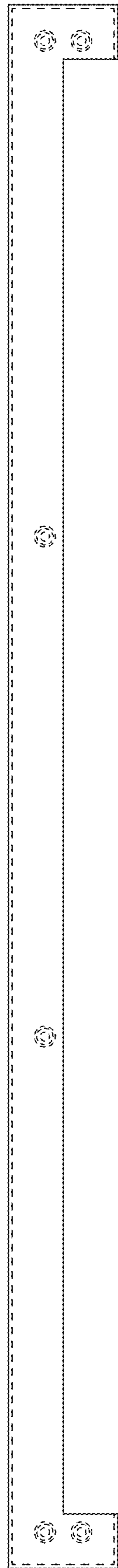


FIG. 3

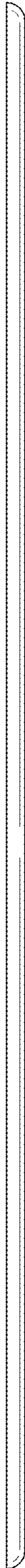


FIG. 4

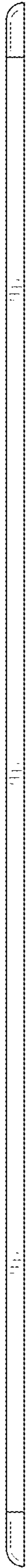


FIG. 5

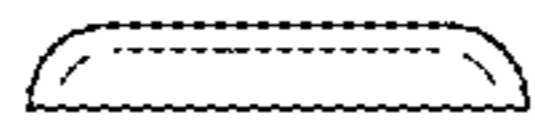


FIG. 6

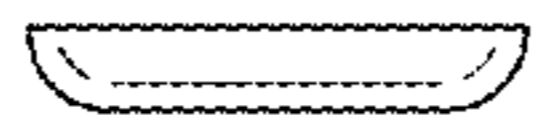


FIG. 7