



US00D967979S

(12) **United States Design Patent** (10) **Patent No.:** **US D967,979 S**
Wersland et al. (45) **Date of Patent:** **** Oct. 25, 2022**

(54) **MESSAGE DEVICE**

D953,557 S * 5/2022 Wu D24/215
D956,249 S * 6/2022 Ying D24/215
2021/0022955 A1* 1/2021 Wersland A61B 5/4806

(71) Applicant: **Therabody, Inc.**, Los Angeles, CA (US)

FOREIGN PATENT DOCUMENTS

(72) Inventors: **Jason Wersland**, Los Angeles, CA (US); **Jaime Sanchez Solana**, Los Angeles, CA (US); **Eduardo Merino**, Los Angeles, CA (US); **Benjamin Nazarian**, Beverly Hills, CA (US); **William Webb**, San Francisco, CA (US); **Alex Zhu**, Xiamen (CN); **Richard Tang**, Shenzhen (CN)

CN	305547006	1/2020
CN	306061097	9/2020
CN	306426899	3/2021
EM	006092011-0001	2/2019
EM	006692133-0001	8/2019
EM	007957535-0001	6/2020
EM	008323554-0001	12/2020
EM	008892954-0002	3/2022
JP	D1682488	4/2021
WO	WO D210410-003	10/2020

(73) Assignee: **Therabody, Inc.**, Los Angeles, CA (US)

* cited by examiner

(**) Term: **15 Years**

Primary Examiner — Michael A Maharajh

(21) Appl. No.: **29/834,284**

(74) *Attorney, Agent, or Firm* — Sterne, Kessler, Goldstein & Fox P.L.L.C.

(22) Filed: **Apr. 11, 2022**

(51) **LOC (13) Cl.** **28-03**

(52) **U.S. Cl.**
USPC **D24/215**

(58) **Field of Classification Search**
USPC D24/200, 211, 212, 213, 214, 215;
D8/14.1; D28/13
CPC . A61H 2201/1635; A61H 23/006; A61H 1/00
See application file for complete search history.

(57) **CLAIM**

The ornamental design for a massage device, as shown and described.

(56) **References Cited**

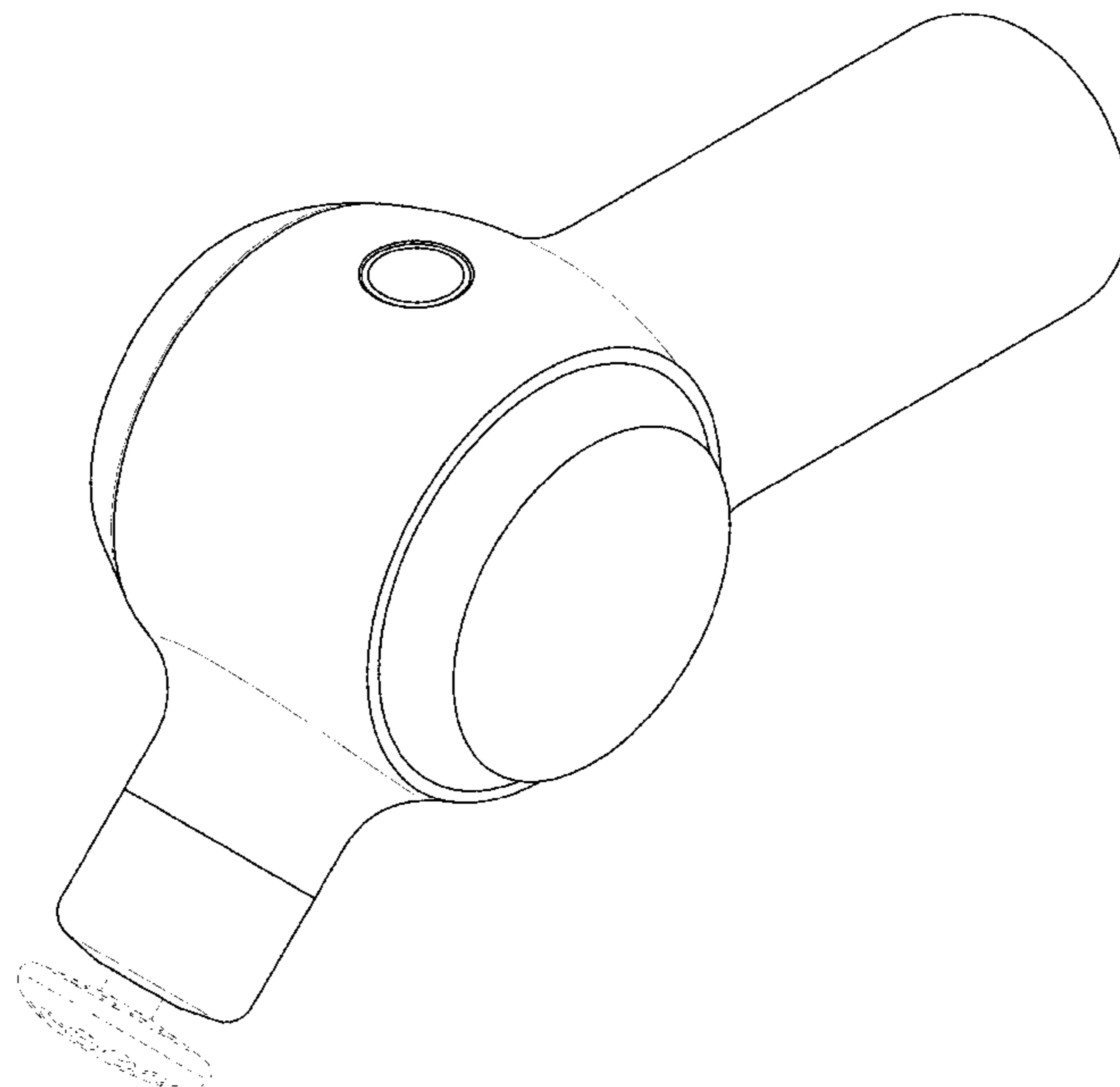
U.S. PATENT DOCUMENTS

D847,364 S	*	4/2019	Lee	D24/215
D866,790 S	*	11/2019	Lee	D24/215
D898,933 S		10/2020	Xu		
D916,307 S		4/2021	Xiong		
D925,758 S	*	7/2021	Xu	D24/215

DESCRIPTION

FIG. 1 is a top front perspective view of a massage device showing the claimed design;
FIG. 2 is a bottom rear perspective view thereof;
FIG. 3 is a front elevation view thereof;
FIG. 4 is a rear elevation view thereof;
FIG. 5 is a right side elevation view thereof;
FIG. 6 is a left side elevation view thereof;
FIG. 7 is a top plan view thereof; and,
FIG. 8 is a bottom plan view thereof.
The broken lines in the figures show portions of the massage device that form no part of the claimed design.

1 Claim, 8 Drawing Sheets



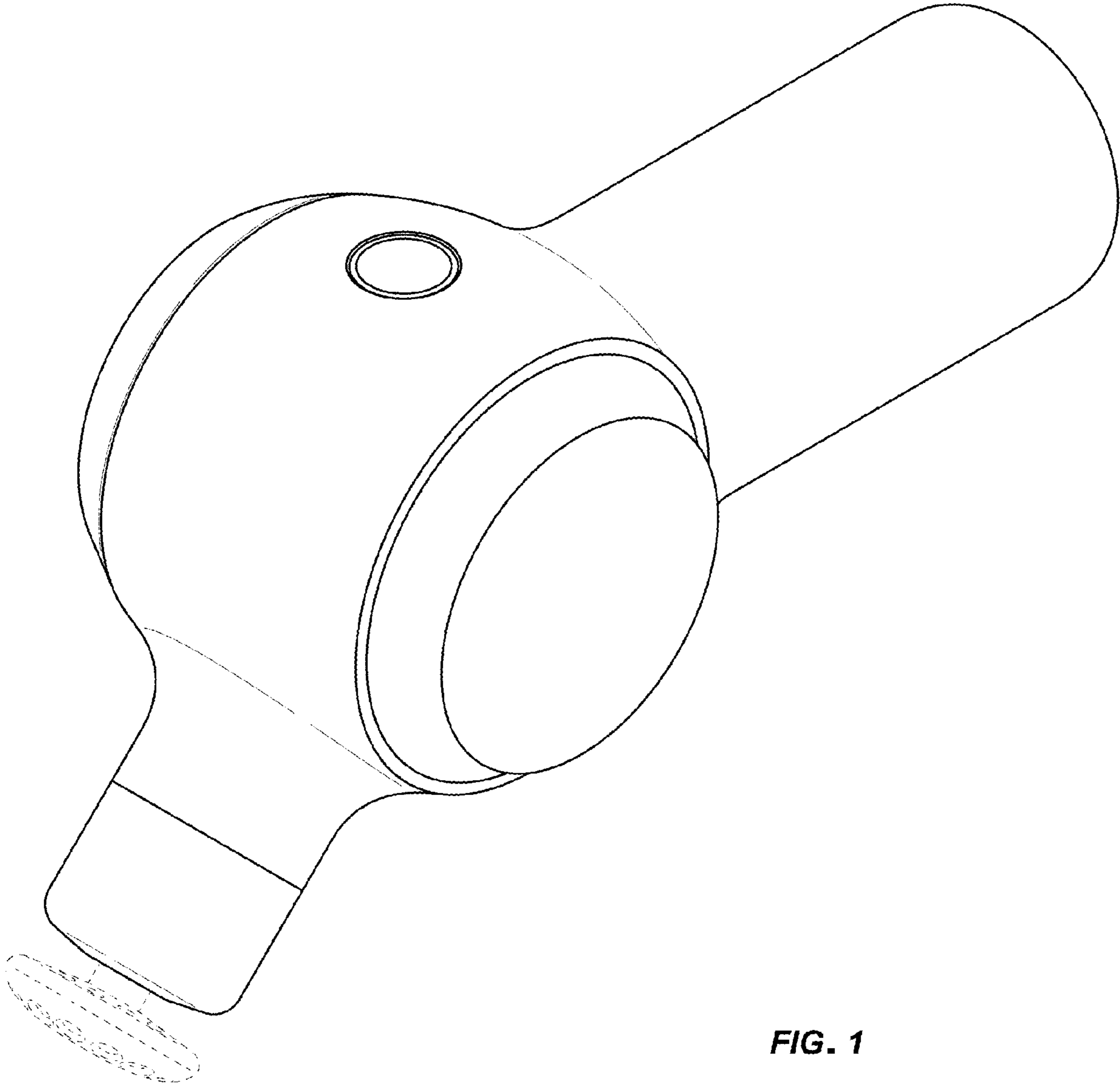


FIG. 1

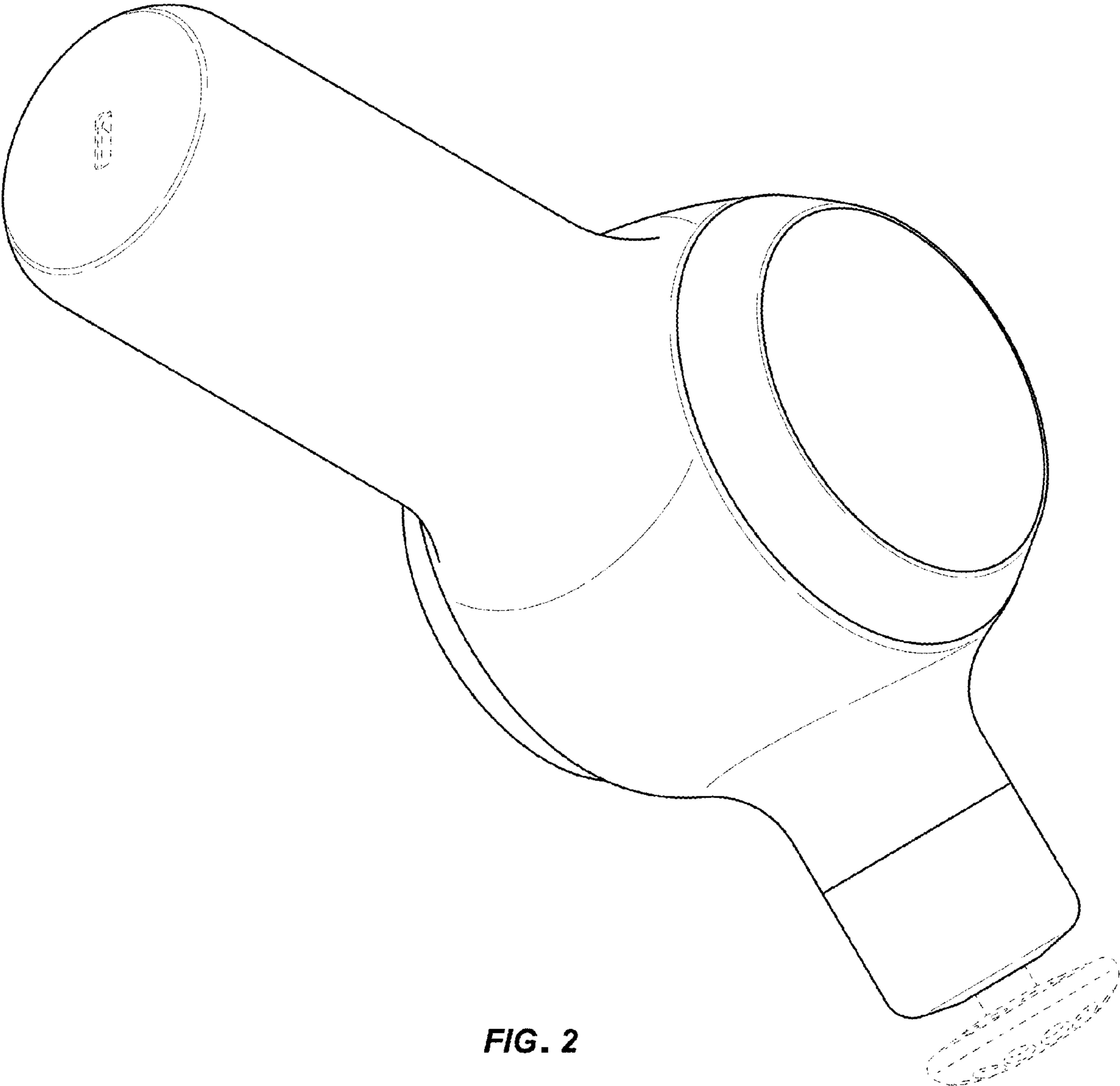


FIG. 2

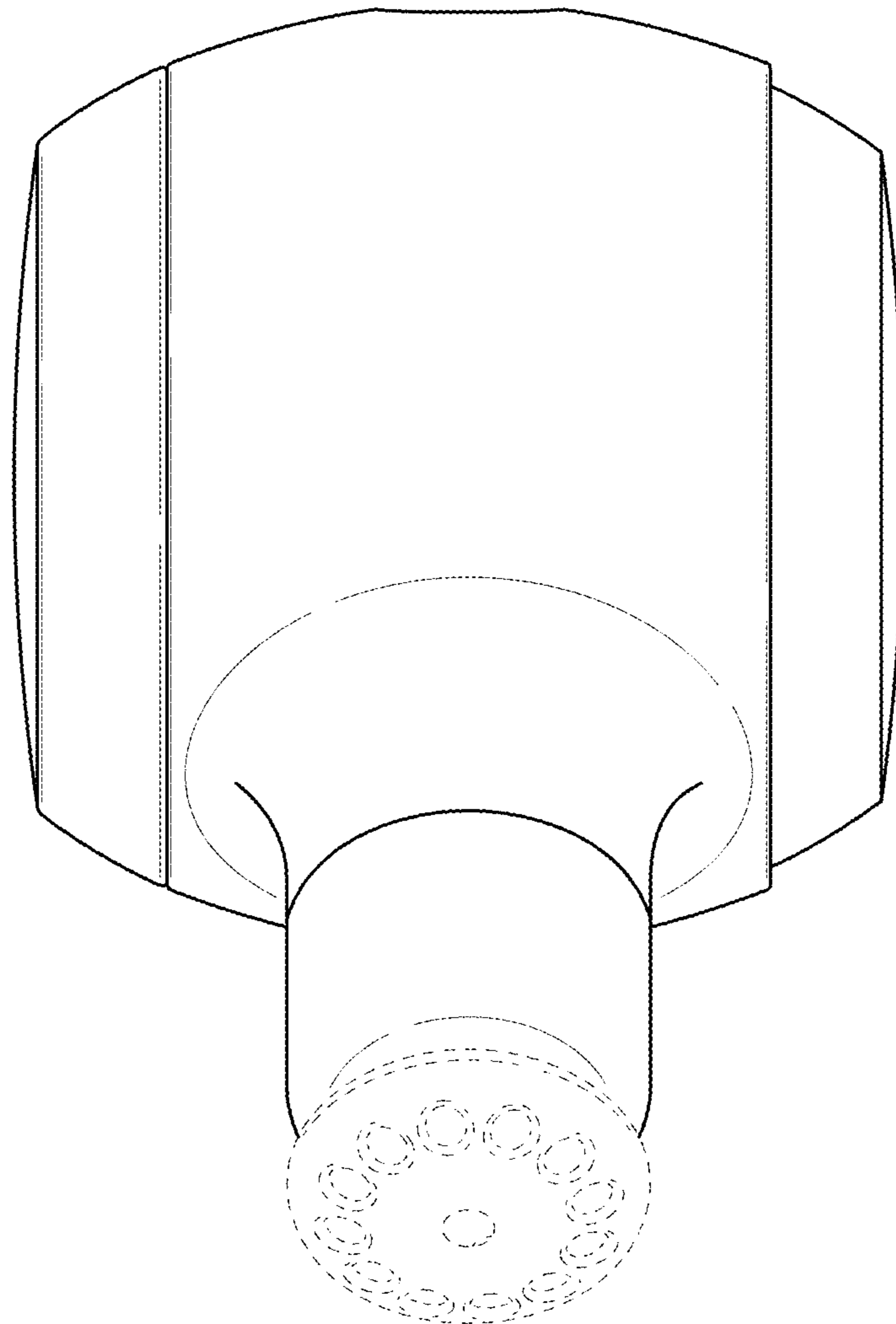


FIG. 3

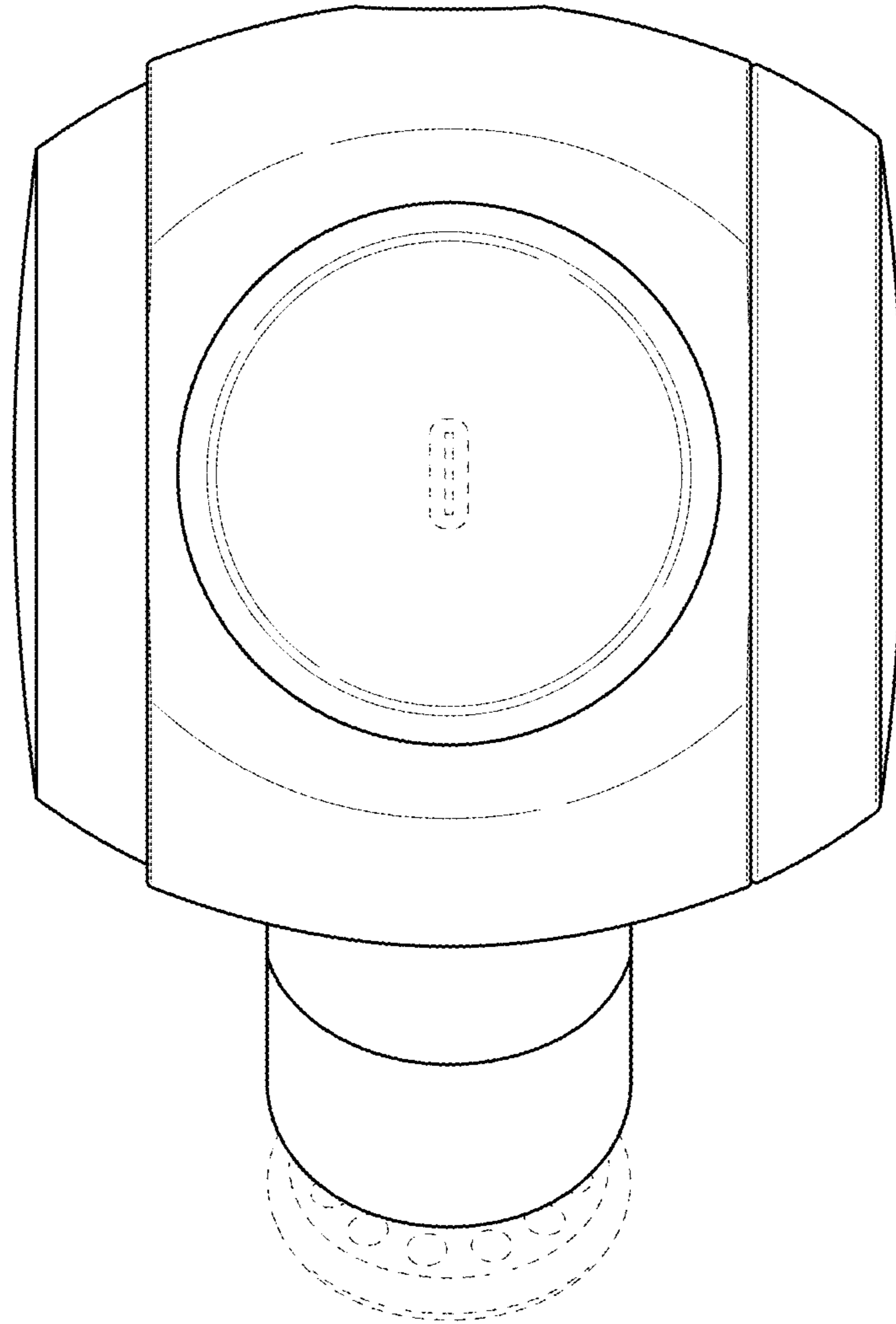


FIG. 4

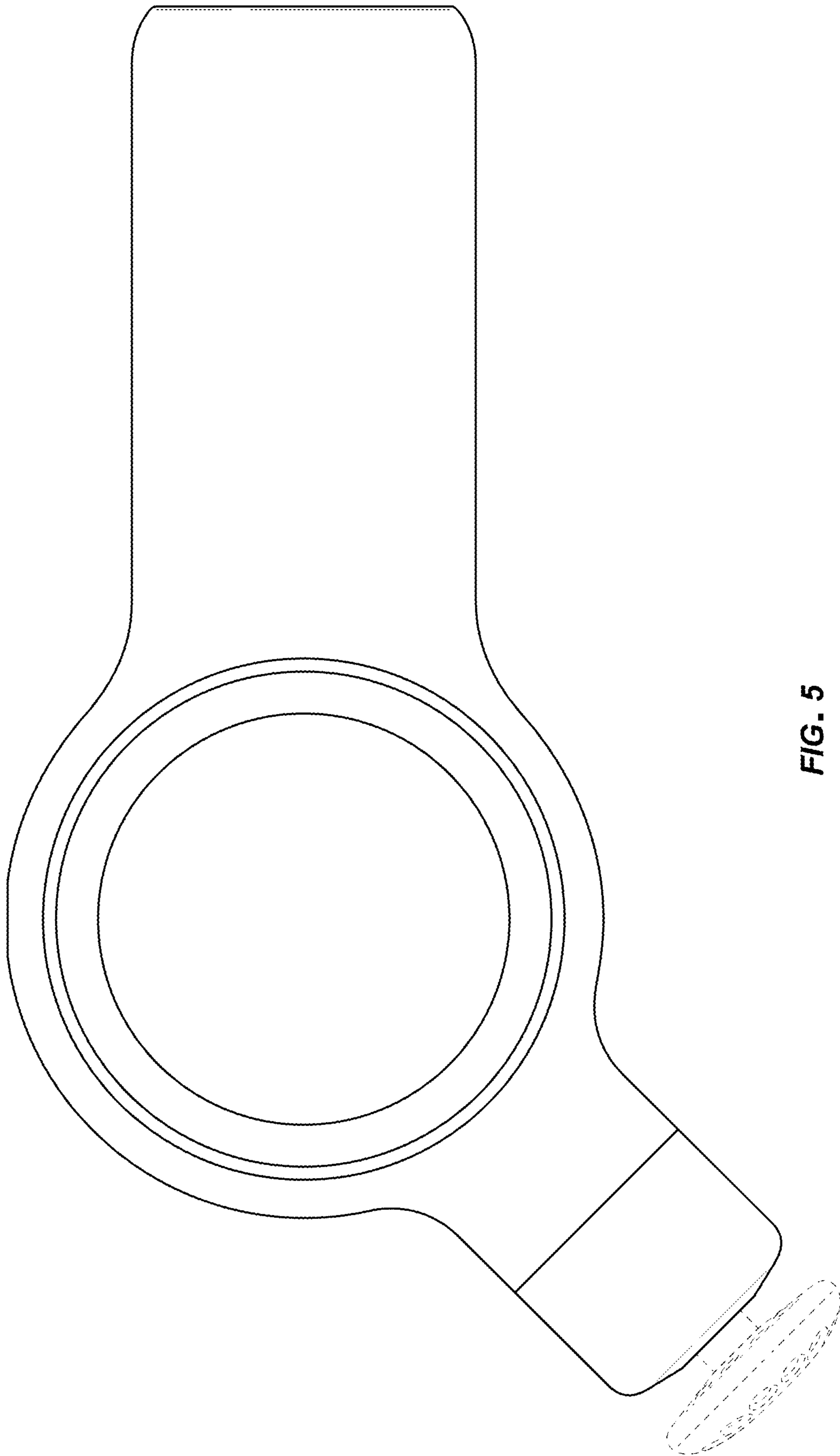


FIG. 5

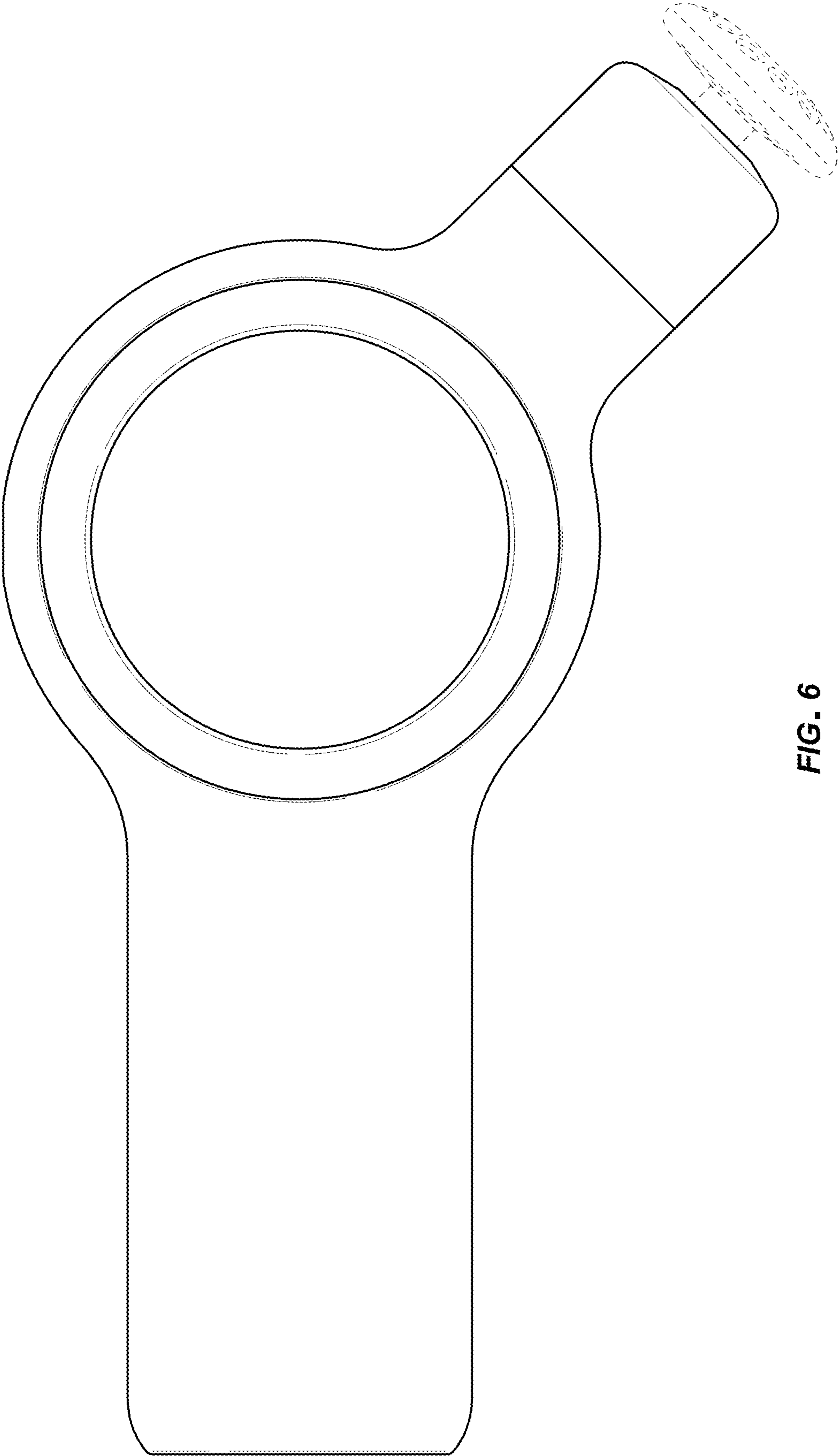


FIG. 6

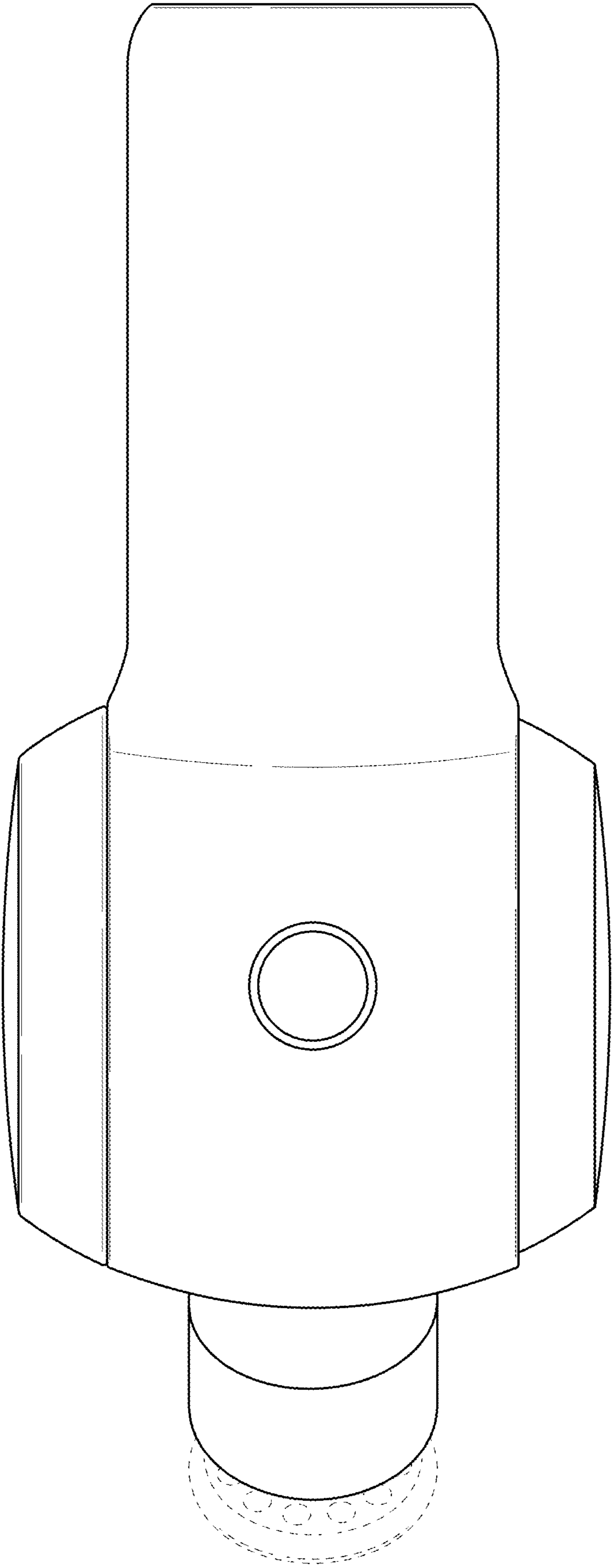


FIG. 7

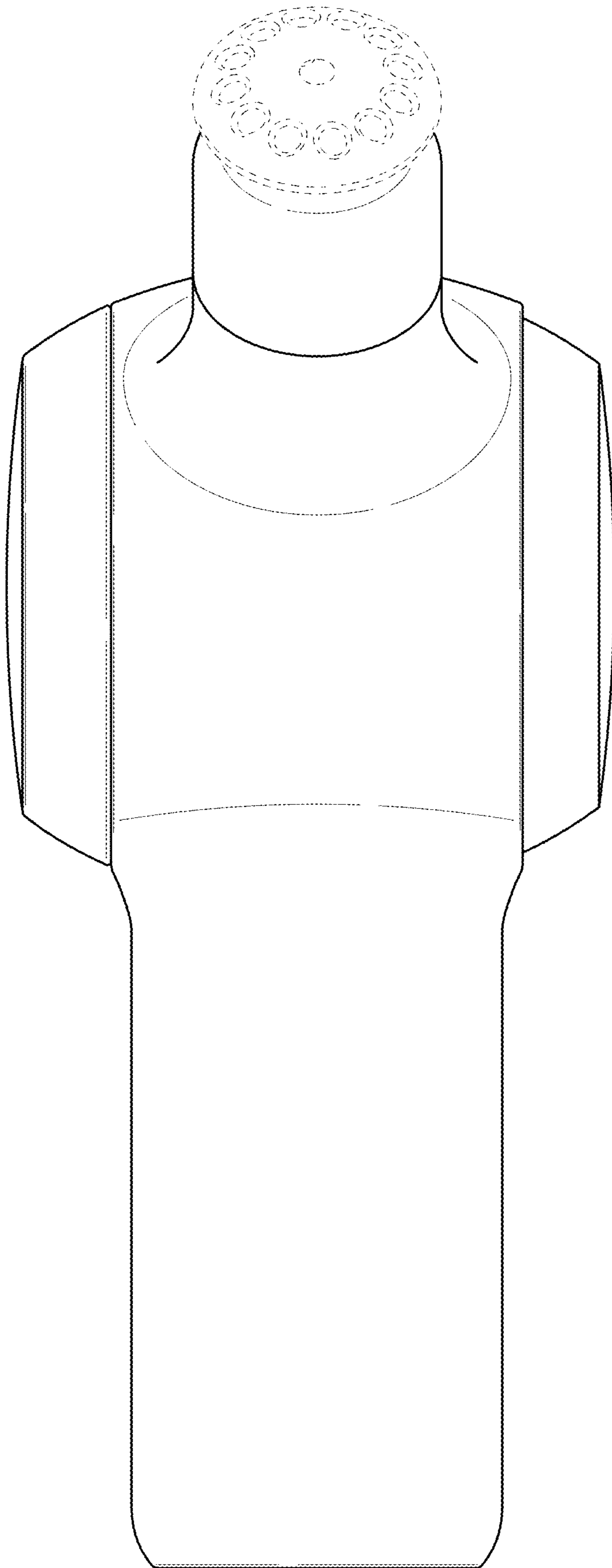


FIG. 8