

US00D967977S

(12) **United States Design Patent**
Wersland et al.

(10) **Patent No.:** **US D967,977 S**
(45) **Date of Patent:** **** Oct. 25, 2022**

(54) **MASSAGE DEVICE**

(71) Applicant: **Therabody, Inc.**, Los Angeles, CA (US)

(72) Inventors: **Jason Wersland**, Los Angeles, CA (US); **Jaime Sanchez Solana**, Los Angeles, CA (US); **Eduardo Merino**, Los Angeles, CA (US); **Benjamin Nazarian**, Beverly Hills, CA (US); **William Webb**, San Francisco, CA (US); **Alex Zhu**, Xiamen (CN); **Richard Tang**, Shenzhen (CN)

(73) Assignee: **Therabody, Inc.**, Los Angeles, CA (US)

(**) Term: **15 Years**

(21) Appl. No.: **29/792,621**

(22) Filed: **Apr. 11, 2022**

(51) **LOC (13) Cl.** **28-03**

(52) **U.S. Cl.**
USPC **D24/215**

(58) **Field of Classification Search**
USPC D24/200, 211, 212, 213, 214, 215;
D8/14.1; D28/13
CPC . A61H 2201/1635; A61H 23/006; A61H 1/00
See application file for complete search history.

EM	008667570-0007	9/2021
EM	008667570-0008	9/2021
GB	6158189	9/2021
GB	6158190	9/2021
JP	D1696615	10/2021
JP	D1696616	10/2021

OTHER PUBLICATIONS

Therabody, "TheraFace PRO", Earliest Review Date May 3, 2022. <https://www.therabody.com/us/en-us/theraface-pro-facial-care-device-white.html?cgid=therabody-recovery-devices#prefn1=product-TypeMasterPLP&prefv1=theraface&start=1>. Shown on p. 1. (Year: 2022).*

Amazon, "TheraFace PRO_Therapy Massage", Apr. 13, 2022. https://www.amazon.com/TheraFace-Facial-Percussive-Therapy-Massage/dp/B09TZ3SL9H/ref=cm_cr_arp_d_product_top?ie=UTF8. Shown on p. 1. (Year: 2022).*

* cited by examiner

Primary Examiner — Michael A Maharajh
(74) *Attorney, Agent, or Firm* — Sterne, Kessler, Goldstein & Fox P.L.L.C.

(57) **CLAIM**

The ornamental design for a massage device, as shown and described.

DESCRIPTION

FIG. 1 is a top front perspective view of a massage device showing the claimed design;
FIG. 2 is a bottom rear perspective view thereof;
FIG. 3 is a front elevation view thereof;
FIG. 4 is a rear elevation view thereof;
FIG. 5 is a right side elevation view thereof;
FIG. 6 is a left side elevation view thereof;
FIG. 7 is a top plan view thereof; and,
FIG. 8 is a bottom plan view thereof.
The broken lines in the figures show portions of the massage device that form no part of the claimed design.

(56) **References Cited**

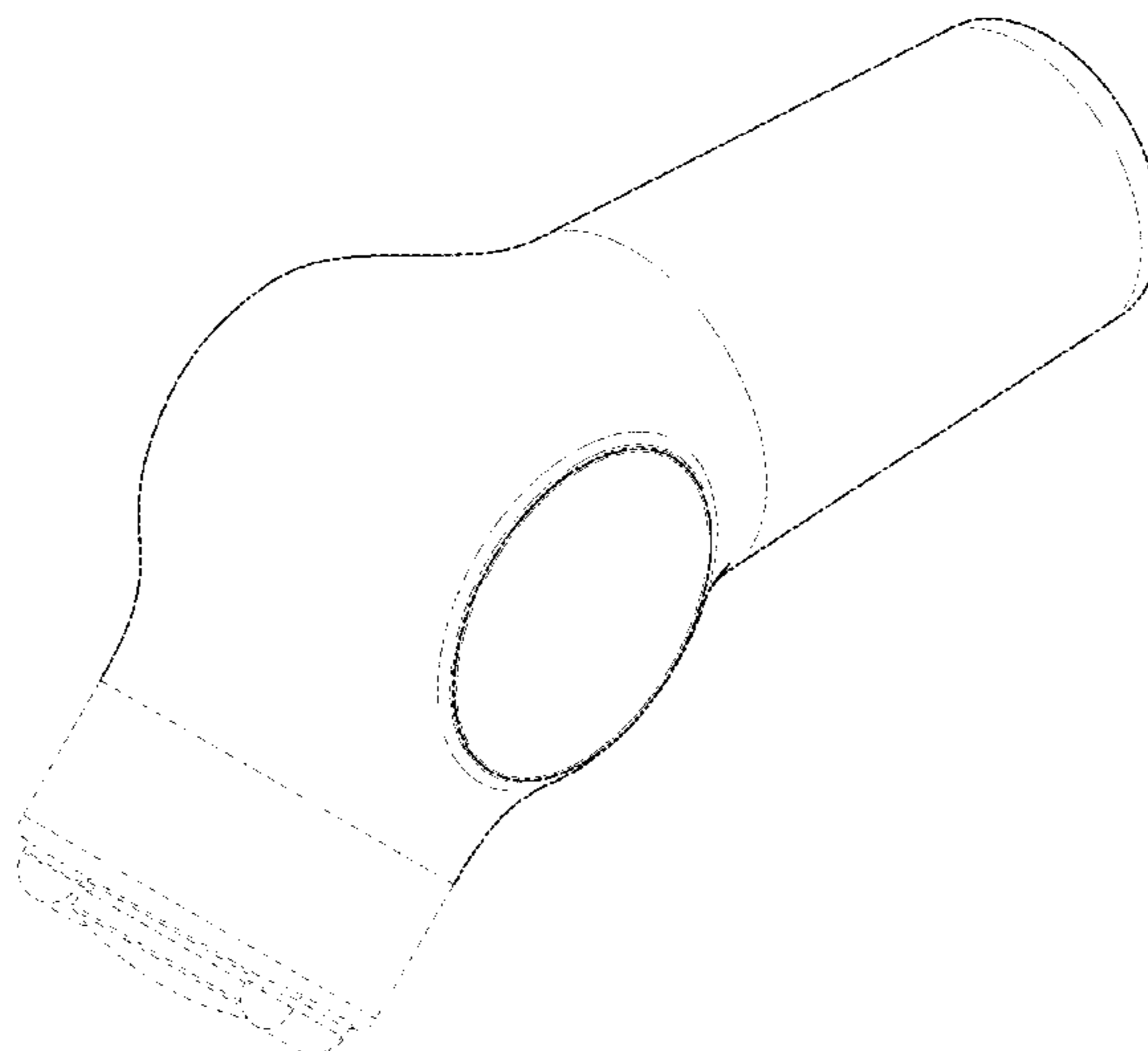
U.S. PATENT DOCUMENTS

D847,364 S *	4/2019	Lee	D24/215
D866,790 S *	11/2019	Lee	D24/215
D925,758 S *	7/2021	Xu	D24/215
D953,557 S *	5/2022	Wu	D24/215
D956,249 S *	6/2022	Ying	D24/215
2021/0022955 A1 *	1/2021	Wersland	A61B 5/4806

FOREIGN PATENT DOCUMENTS

EM	008667570-0001	9/2021
EM	008667570-0002	9/2021

1 Claim, 8 Drawing Sheets



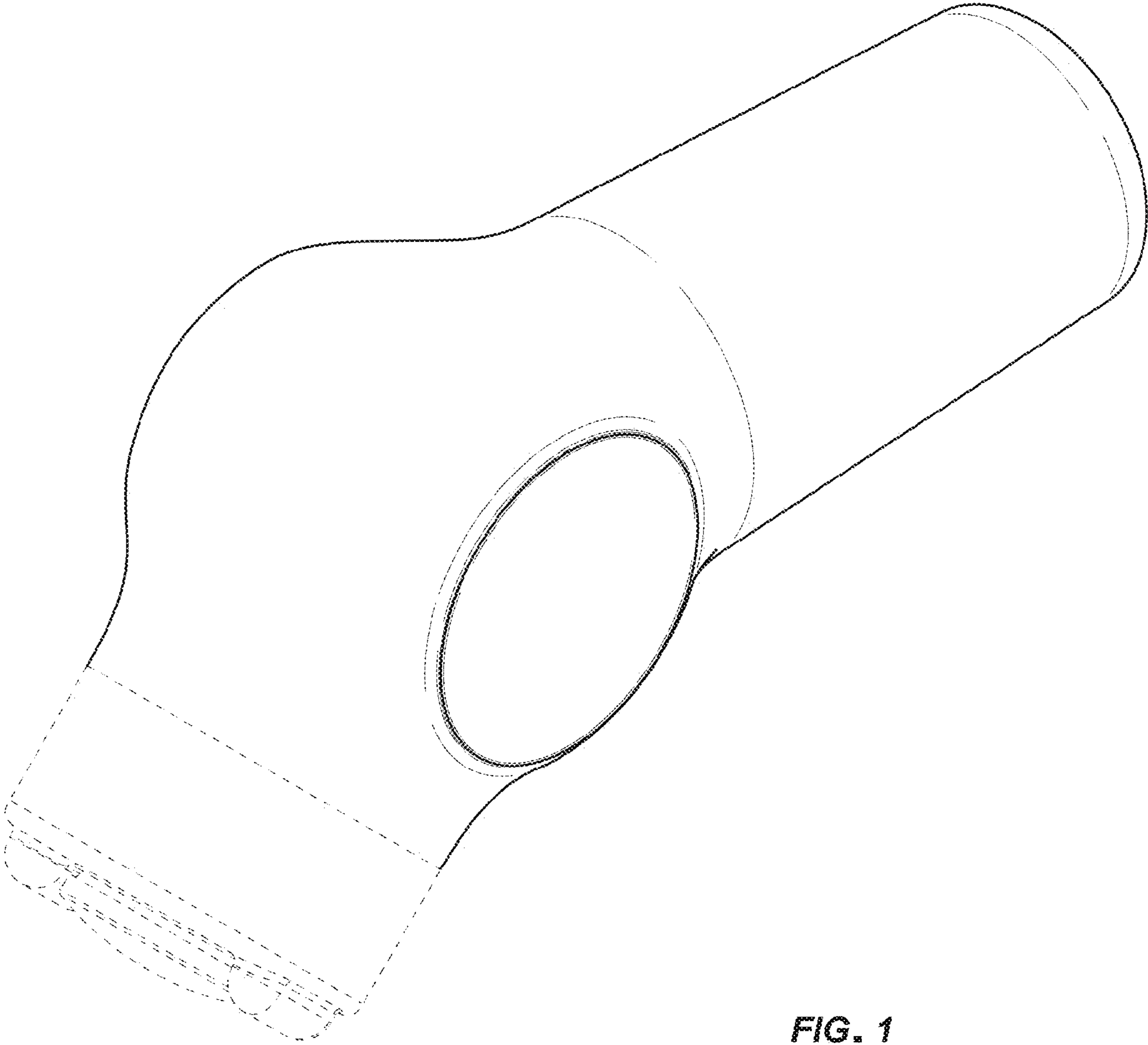


FIG. 1

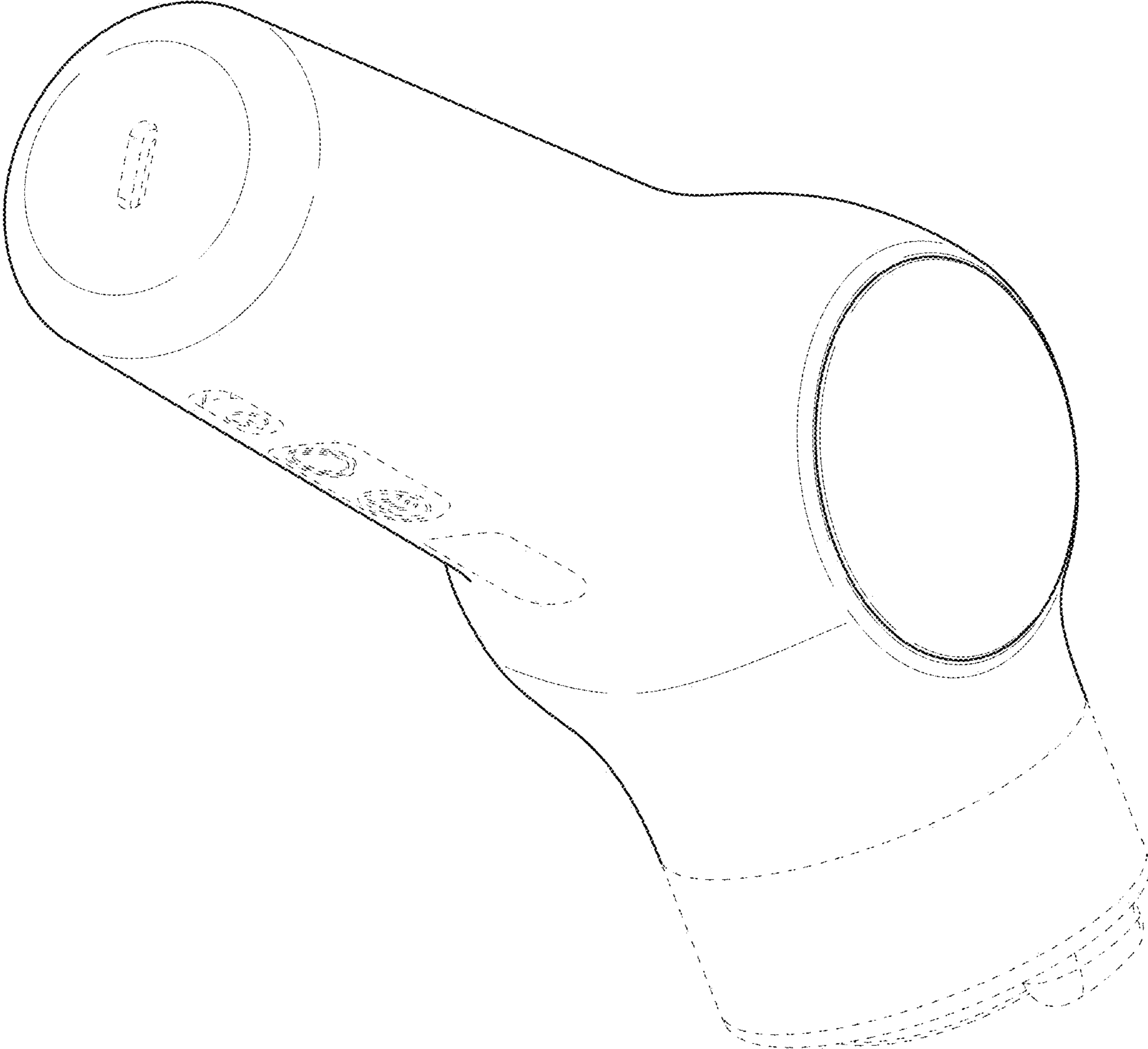


FIG. 2

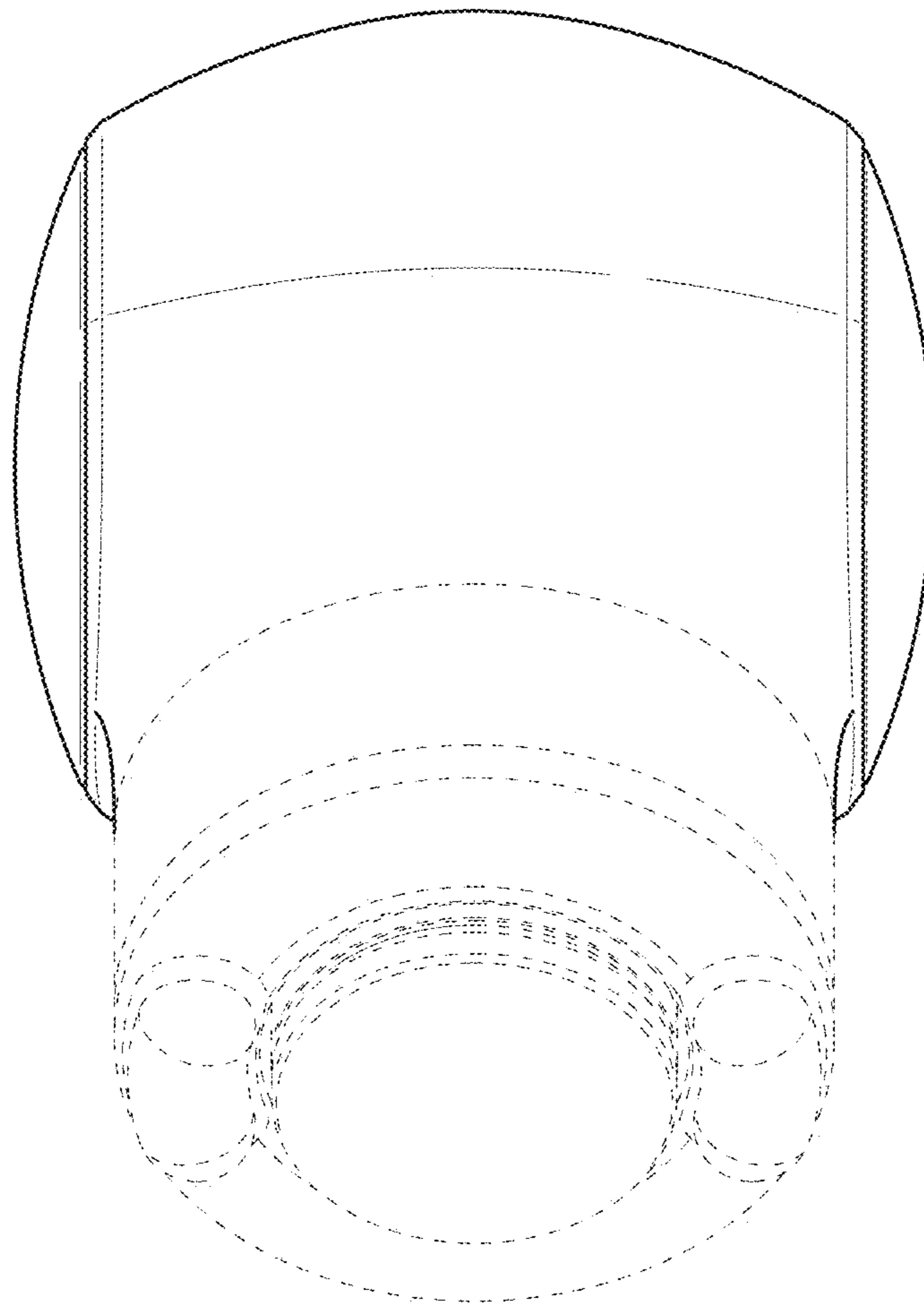


FIG. 3

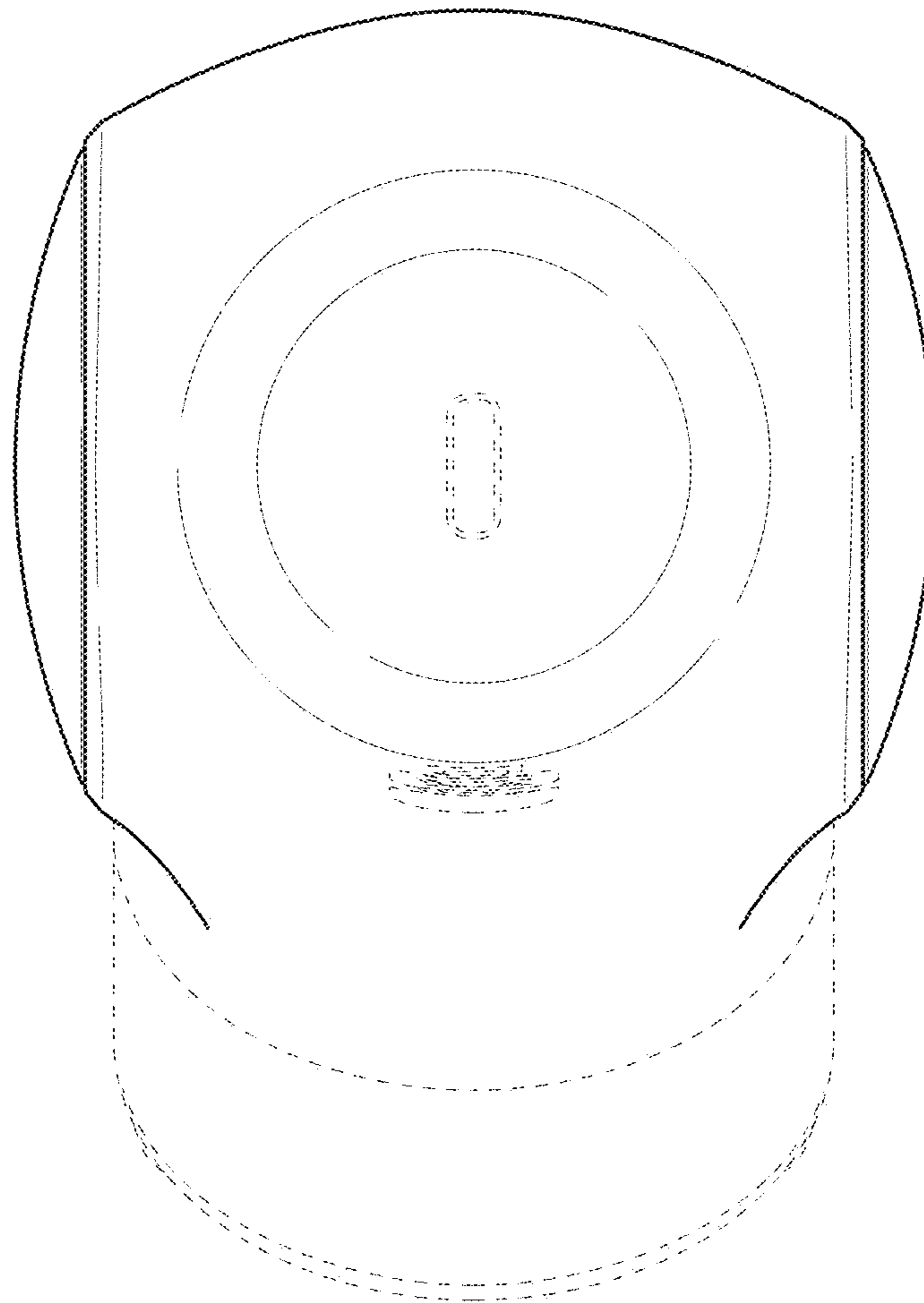


FIG. 4

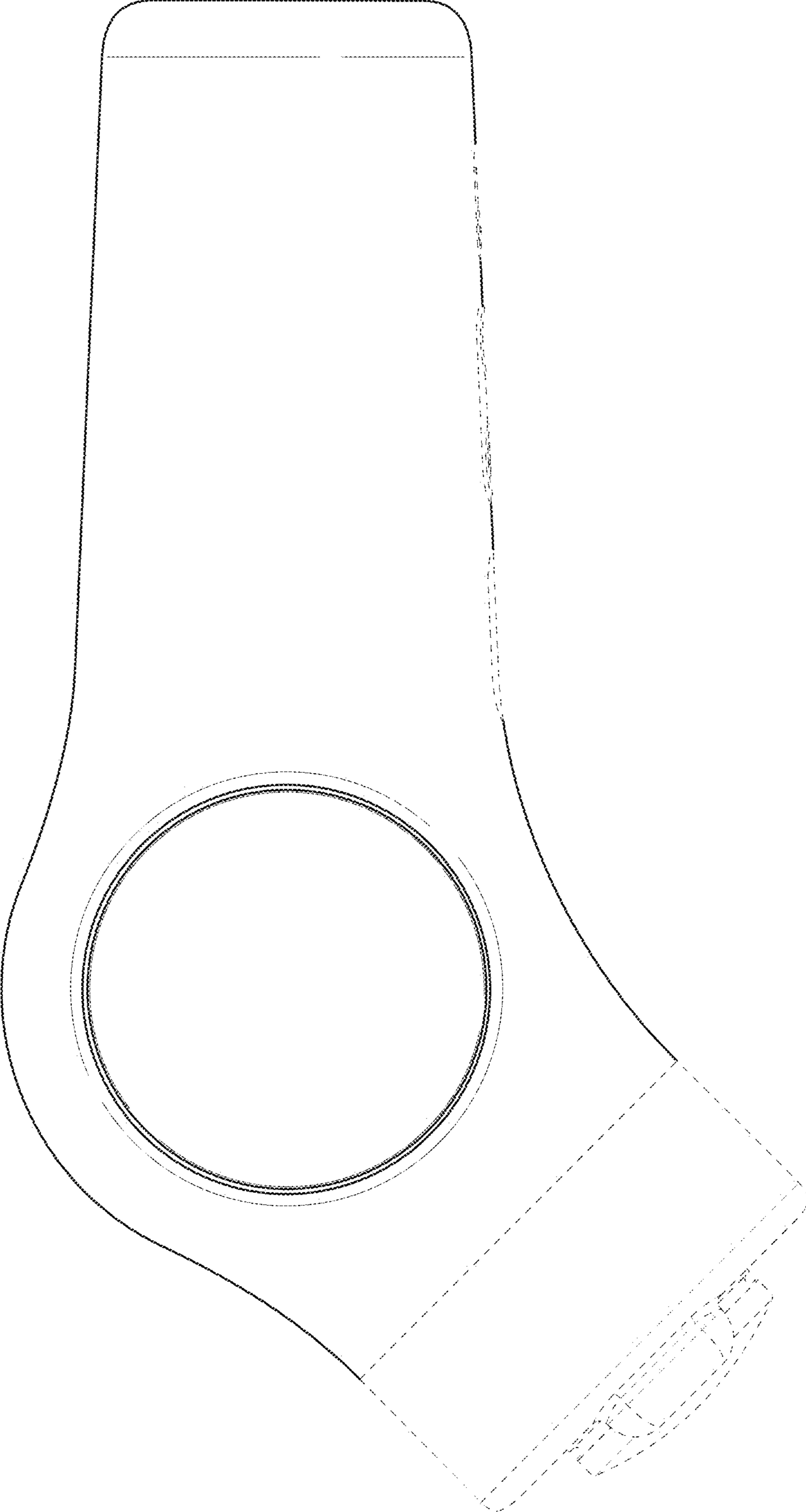


FIG. 5

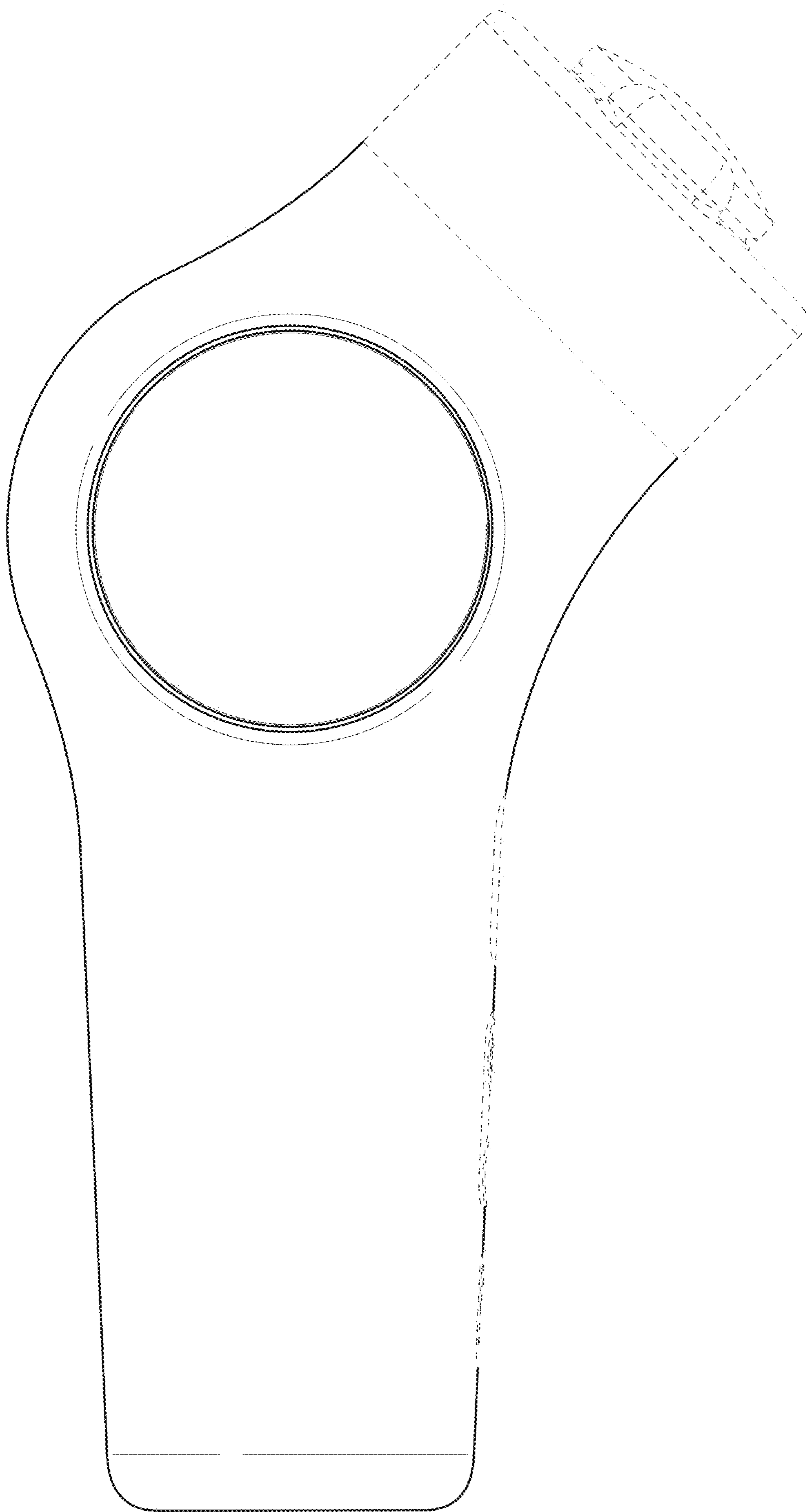


FIG. 6

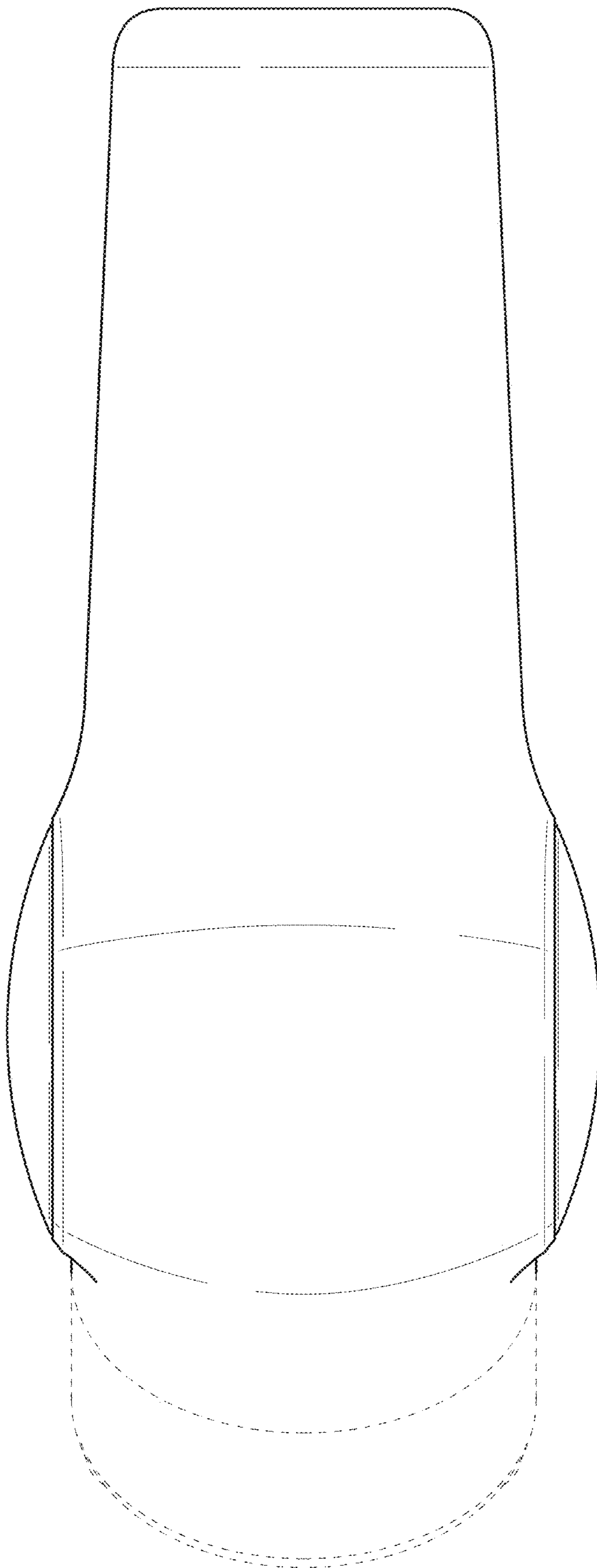


FIG. 7

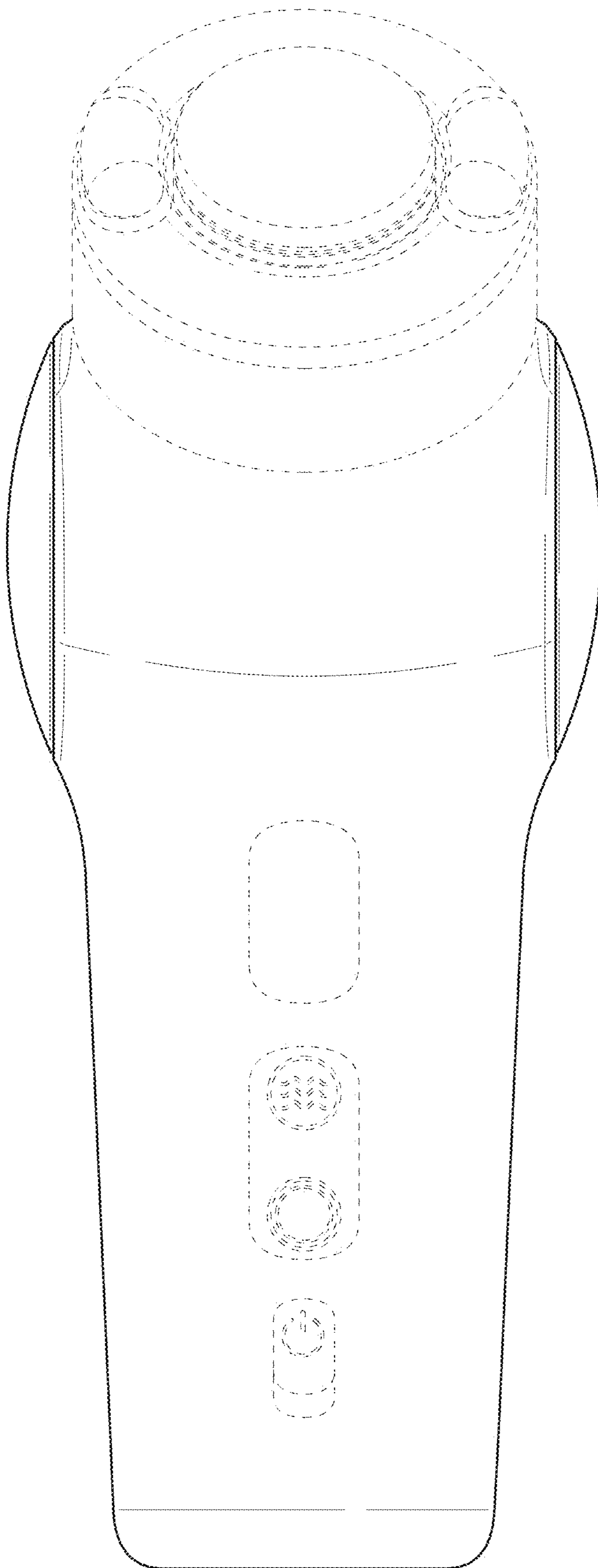


FIG. 8