

US00D967976S

(12) **United States Design Patent** (10) **Patent No.:** **US D967,976 S**
Wersland et al. (45) **Date of Patent:** **** Oct. 25, 2022**

(54) **MESSAGE DEVICE**

FOREIGN PATENT DOCUMENTS

(71) Applicant: **Therabody, Inc.**, Los Angeles, CA (US)

EM	008667570-0003	9/2021
EM	008667570-0004	9/2021
GB	6158187	9/2021
GB	6158188	9/2021

(72) Inventors: **Jason Wersland**, Los Angeles, CA (US); **Jaime Sanchez Solana**, Los Angeles, CA (US); **Eduardo Merino**, Los Angeles, CA (US); **Benjamin Nazarian**, Beverly Hills, CA (US); **William Webb**, San Francisco, CA (US); **Alex Zhu**, Xiamen (CN); **Richard Tang**, Shenzhen (CN)

OTHER PUBLICATIONS

Therabody, "TheraFace Pro", Earliest Review Date May 3, 2022. <https://www.therabody.com/US/en-us/theraface-pro-facial-care-device-white.html?cgid=therabody-recovery-devices#prefn1=productTypeMasterPLP&prefv1=theraface&start=1>. Shown on p. 1. (Year: 2022).*

(73) Assignee: **Therabody, Inc.**, Los Angeles, CA (US)

Amazon, "TheraFace Pro_Therapy Massage", Apr. 13, 2022. https://www.amazon.com/TheraFace-Facial-Percussive-Therapy-Massage/dp/B09TZ3SL9H/ref=cm_cr_arp_d_product_top?ie=UTF8. Shown on p. 1. (Year: 2022).*

(**) Term: **15 Years**

* cited by examiner

(21) Appl. No.: **29/792,620**

Primary Examiner — Michael A Maharajh

(22) Filed: **Apr. 11, 2022**

(74) *Attorney, Agent, or Firm* — Sterne, Kessler, Goldstein & Fox P.L.L.C.

(51) **LOC (13) Cl.** **28-03**

(57) **CLAIM**

(52) **U.S. Cl.**

The ornamental design for a massage device, as shown and described.

USPC **D24/215**

(58) **Field of Classification Search**

DESCRIPTION

USPC D24/200, 211, 212, 213, 214, 215; D8/14.1; D28/13

FIG. 1 is a top front perspective view of a massage device showing the claimed design;

CPC . A61H 2201/1635; A61H 23/006; A61H 1/00

FIG. 2 is a bottom rear perspective view thereof;

See application file for complete search history.

FIG. 3 is a front elevation view thereof;

(56) **References Cited**

U.S. PATENT DOCUMENTS

D847,364 S * 4/2019 Lee D24/215

D866,790 S * 11/2019 Lee D24/215

D925,758 S * 7/2021 Xu D24/215

D953,557 S * 5/2022 Wu D24/215

D956,249 S * 6/2022 Ying D24/215

2021/0022955 A1 * 1/2021 Wersland A61B 5/4806

FIG. 4 is a rear elevation view thereof;

FIG. 5 is a right side elevation view thereof;

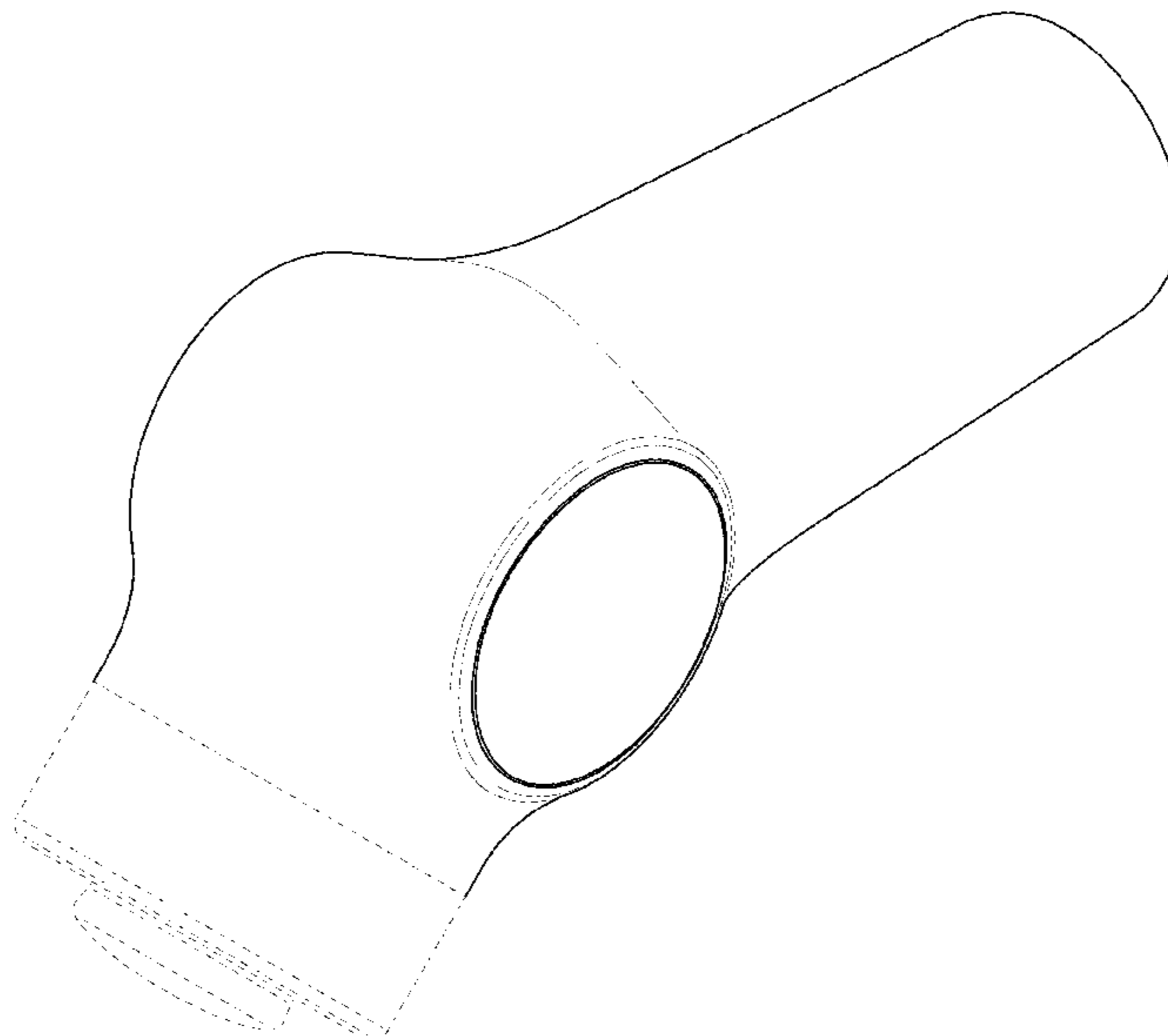
FIG. 6 is a left side elevation view thereof;

FIG. 7 is a top plan view thereof; and,

FIG. 8 is a bottom plan view thereof.

The broken lines in the figures show portions of the massage device that form no part of the claimed design.

1 Claim, 8 Drawing Sheets



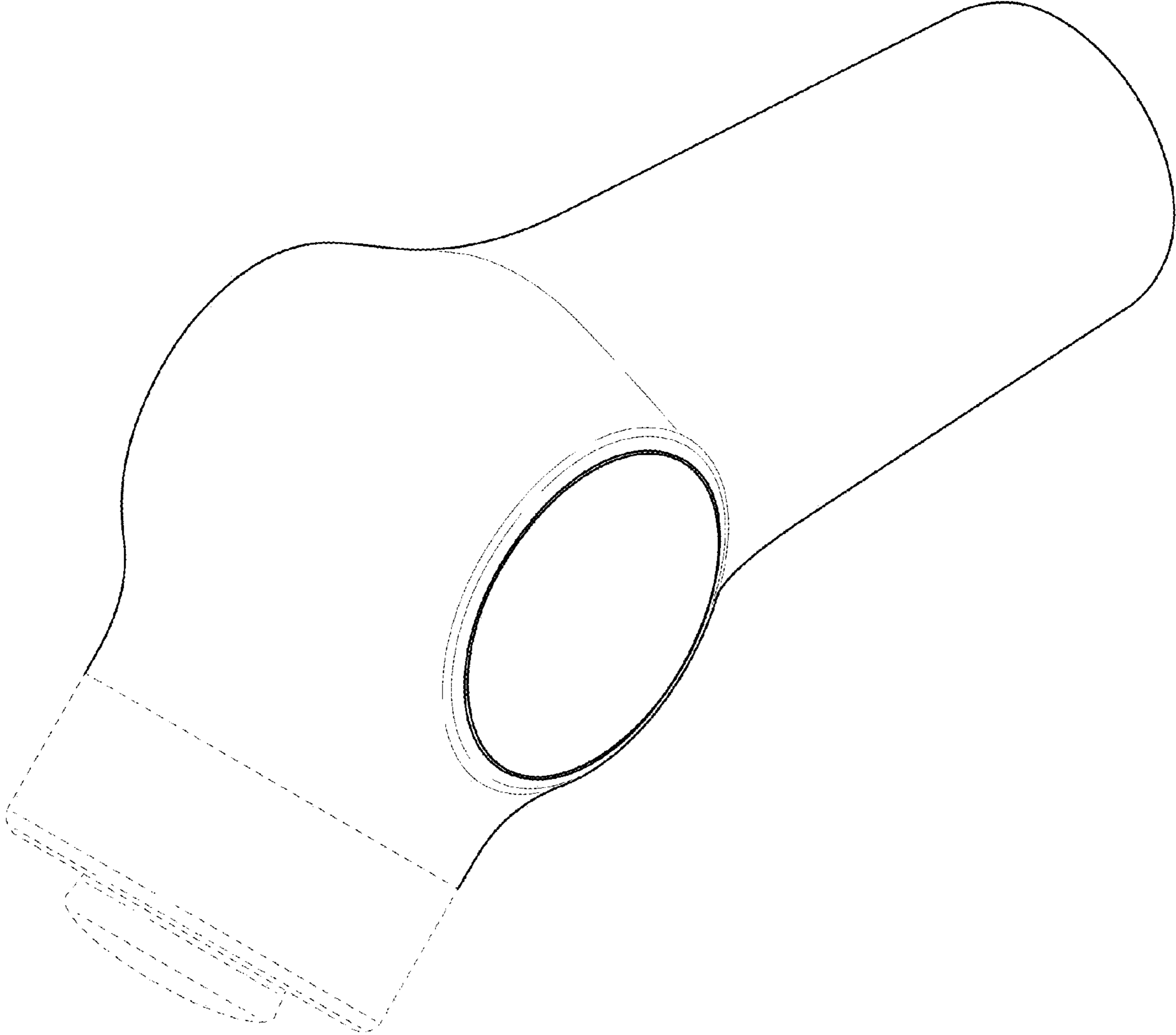


FIG. 1

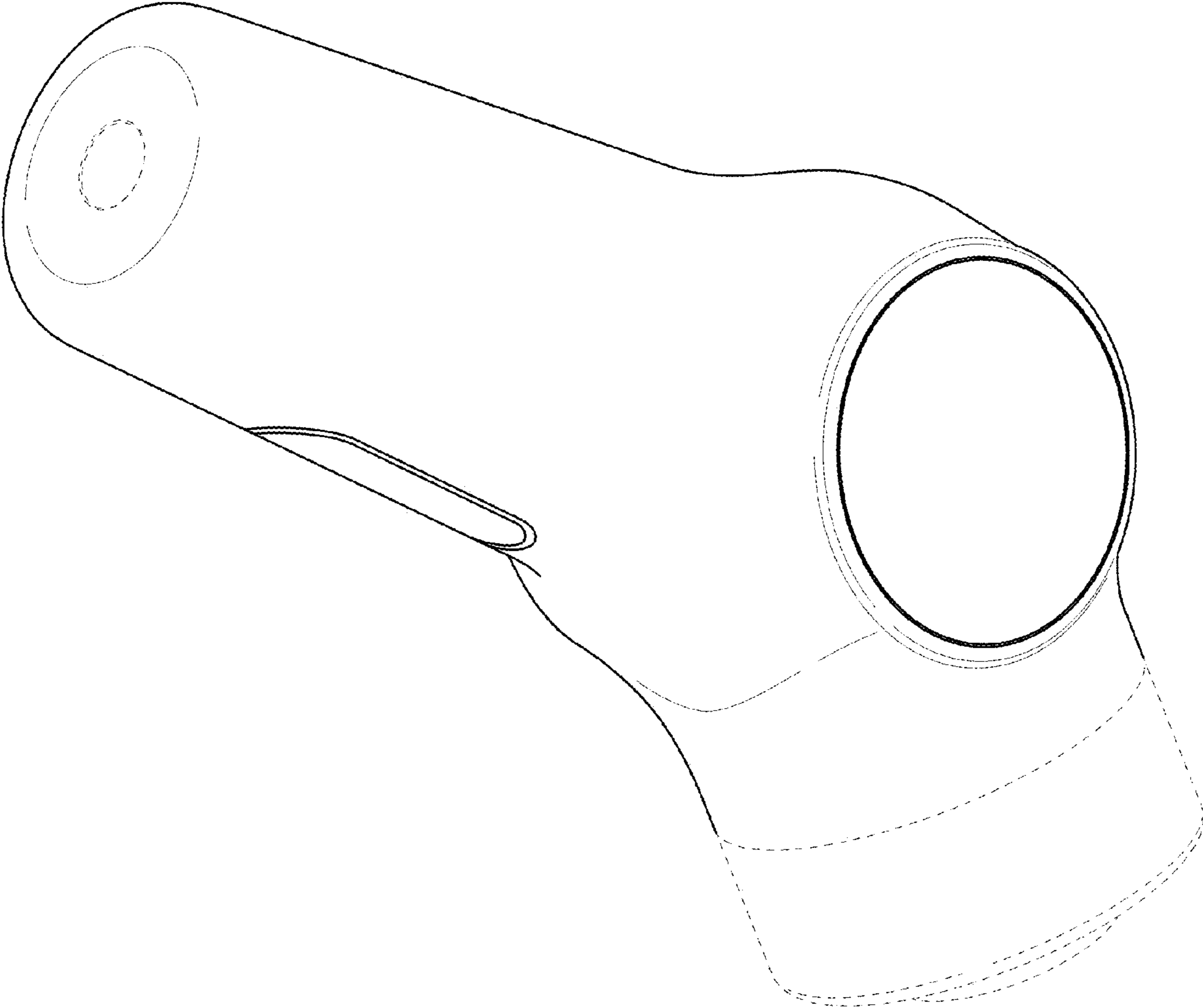


FIG. 2

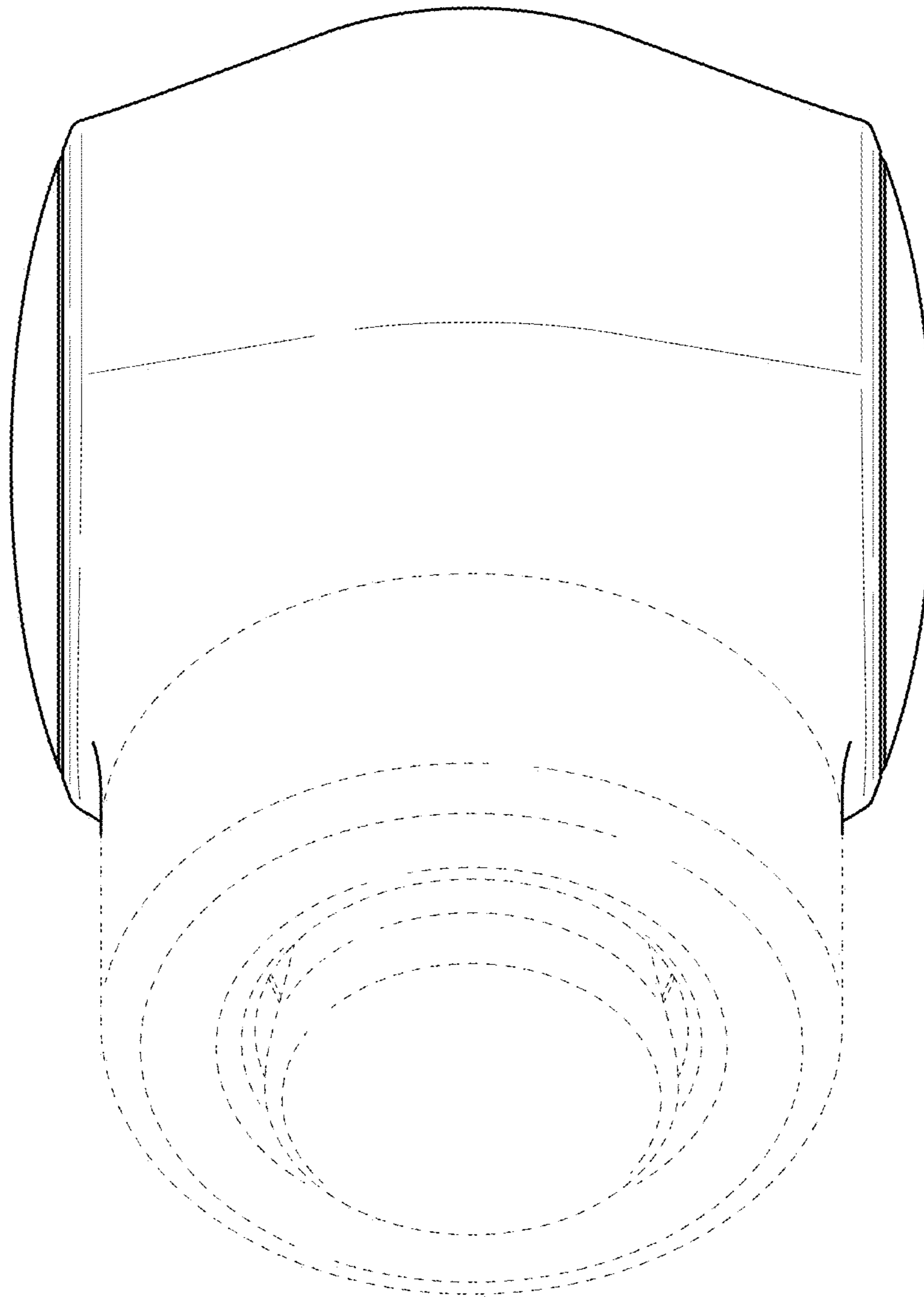


FIG. 3

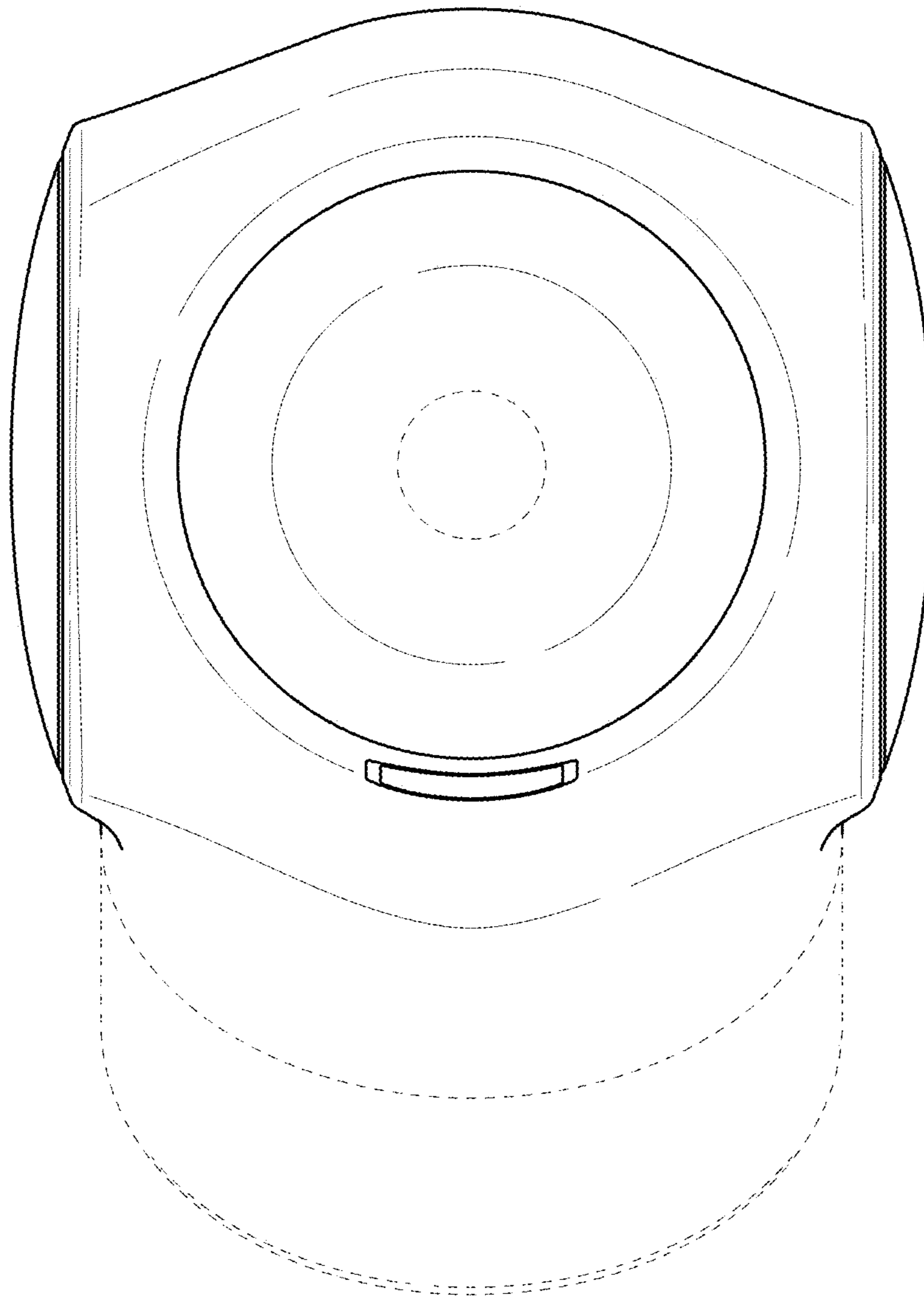


FIG. 4

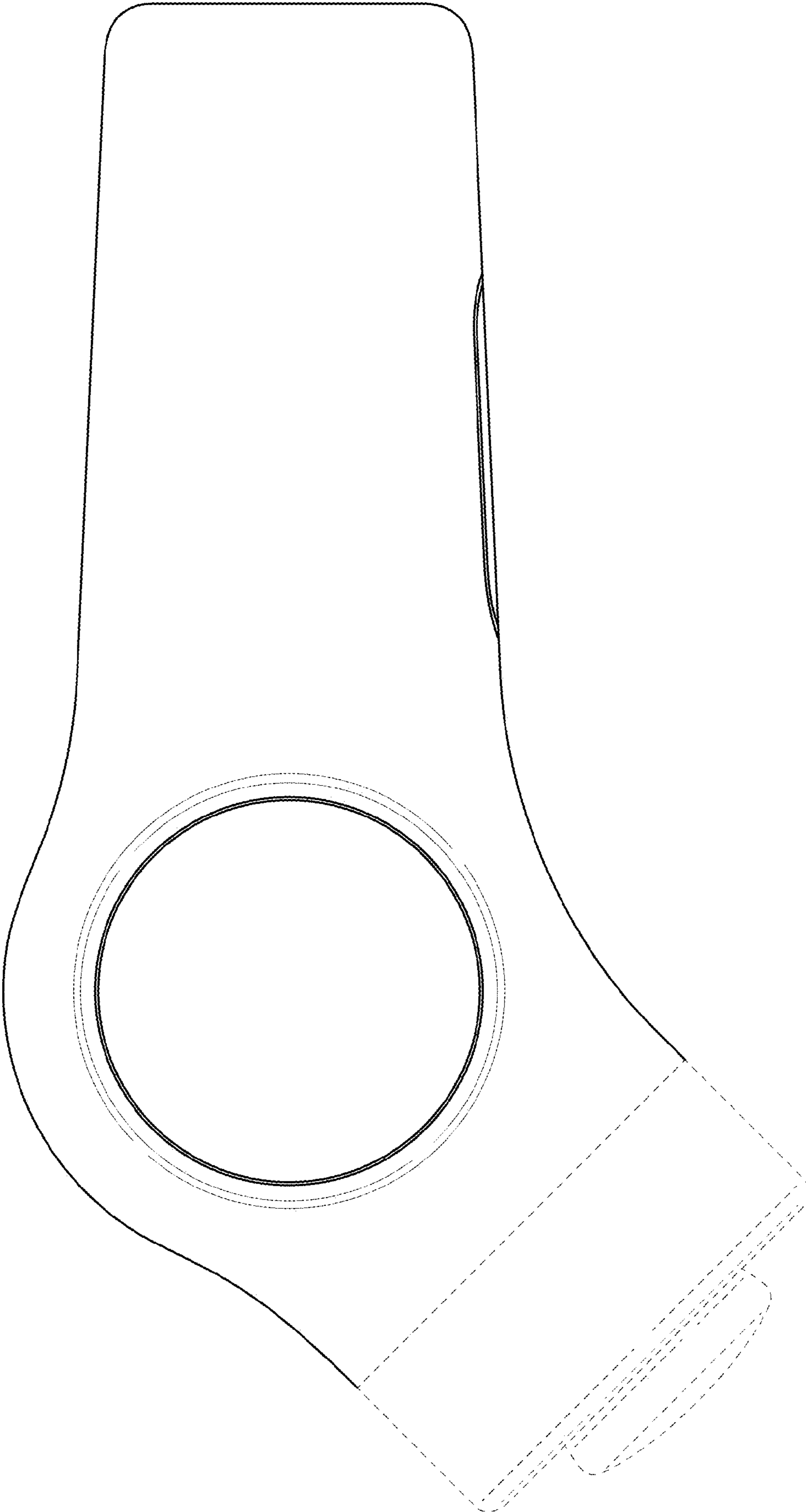


FIG. 5

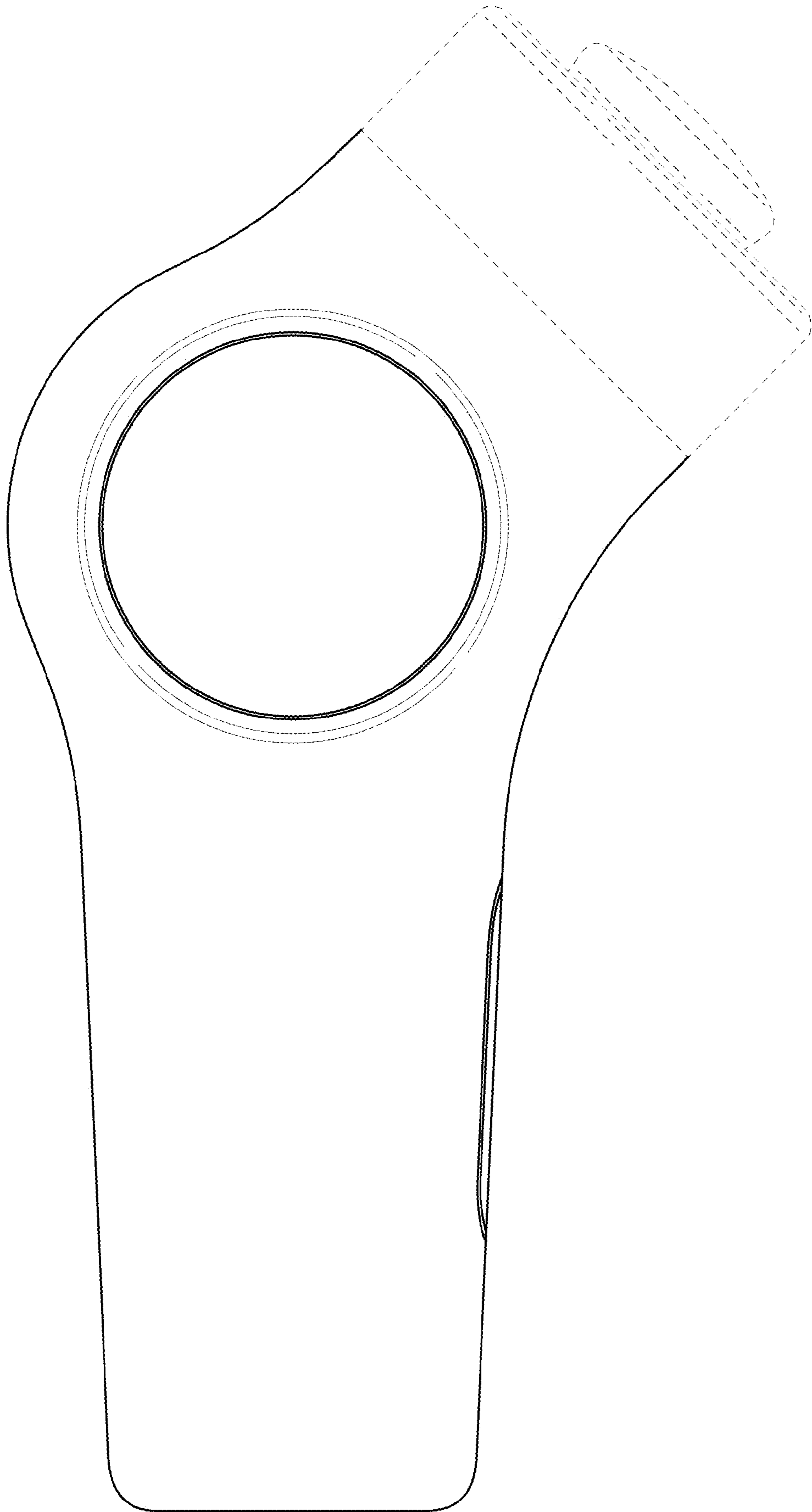


FIG. 6

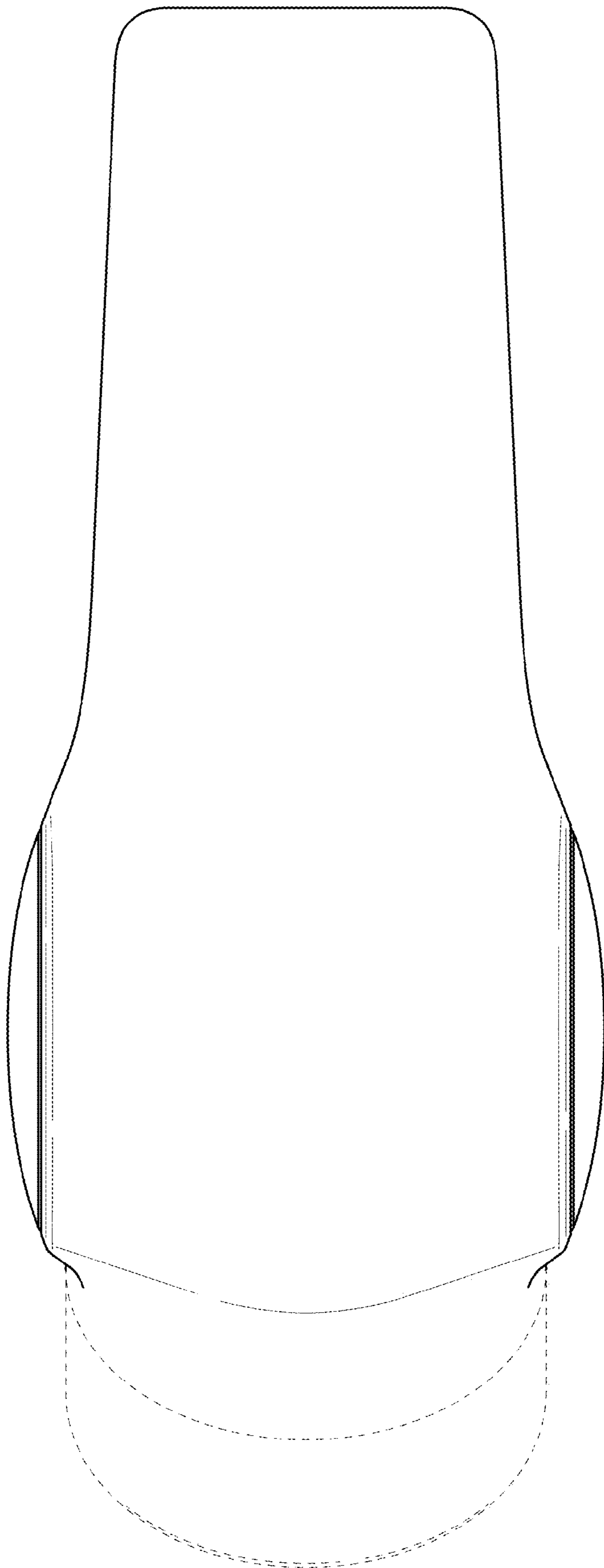


FIG. 7

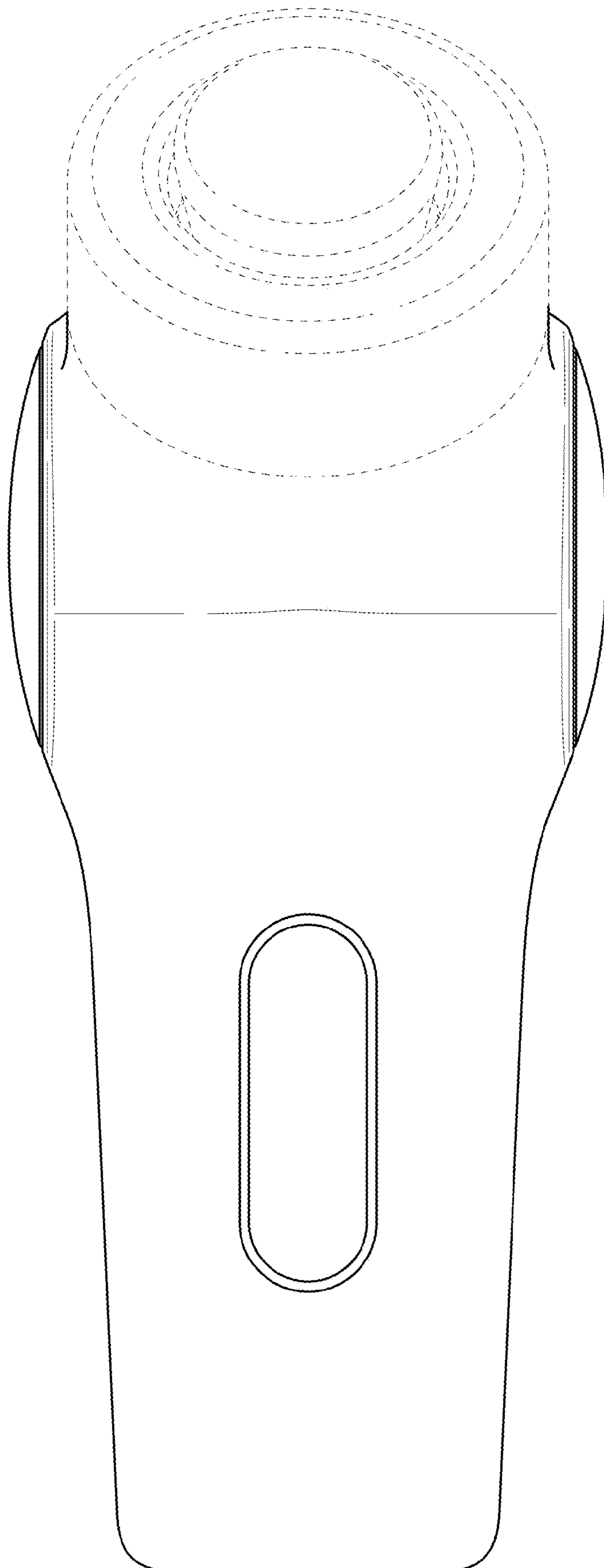


FIG. 8