



US00D967975S

(12) **United States Design Patent**  
**Wersland et al.**

(10) **Patent No.:** **US D967,975 S**  
(45) **Date of Patent:** **\*\* Oct. 25, 2022**

(54) **MESSAGE DEVICE**

(71) Applicant: **Therabody, Inc.**, Los Angeles, CA  
(US)

(72) Inventors: **Jason Wersland**, Los Angeles, CA  
(US); **Jaime Sanchez Solana**, Los Angeles, CA (US); **Eduardo Merino**, Los Angeles, CA (US); **Benjamin Nazarian**, Beverly Hills, CA (US); **William Webb**, San Francisco, CA (US); **Alex Zhu**, Xiamen (CN); **Richard Tang**, Shenzhen (CN)

(73) Assignee: **Therabody, Inc.**, Los Angeles, CA  
(US)

(\*\*) Term: **15 Years**

(21) Appl. No.: **29/792,617**

(22) Filed: **Apr. 11, 2022**

(51) **LOC (13) Cl.** ..... **28-03**

(52) **U.S. Cl.**  
USPC ..... **D24/215**

(58) **Field of Classification Search**  
USPC ..... D24/200, 211, 212, 213, 214, 215;  
D8/14.1; D28/13  
CPC . A61H 2201/1635; A61H 23/006; A61H 1/00  
See application file for complete search history.

(56) **References Cited**

**U.S. PATENT DOCUMENTS**

D478,385 S	*	8/2003	Dirks	.....	D24/215
D873,432 S		1/2020	Duan		
D893,738 S		8/2020	Zhuang		
D895,133 S		9/2020	Xu		
D895,135 S		9/2020	Xu		
D895,831 S		9/2020	Chen		
D898,209 S		10/2020	Xu		
D905,863 S		12/2020	Lin		
D906,533 S		12/2020	Xu		

D908,908 S		1/2021	Xu		
D918,408 S		5/2021	Huang		
D920,531 S	*	5/2021	Xu	.....	D24/215
D921,916 S		6/2021	Xu		
D921,917 S		6/2021	Xu		
D923,190 S		6/2021	Xu		

(Continued)

**FOREIGN PATENT DOCUMENTS**

CN	305907844	7/2020
CN	305941351	7/2020

(Continued)

**OTHER PUBLICATIONS**

Flexirrecovery, "Flexir Recovery Go Muscle Massager", Access Date Jul. 18, 2022. <https://flexirrecovery.com/products/flexir-go> (Year: 2022).\*

*Primary Examiner* — Michael A Maharajh  
(74) *Attorney, Agent, or Firm* — Sterne, Kessler, Goldstein & Fox P.L.L.C.

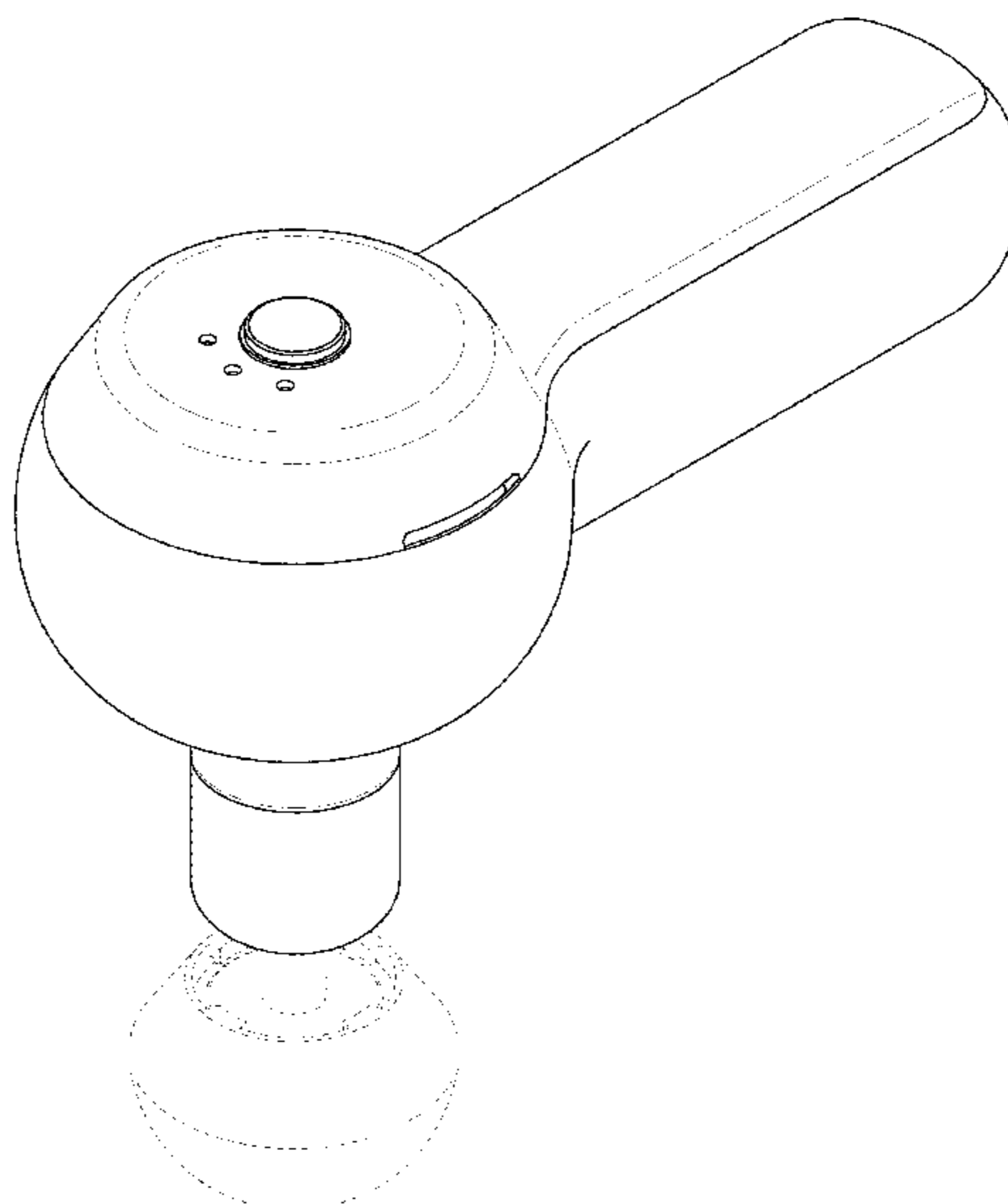
(57) **CLAIM**

The ornamental design for a massage device, as shown and described.

**DESCRIPTION**

FIG. 1 is a top front perspective view of a massage device showing the claimed design;  
FIG. 2 is a bottom rear perspective view thereof;  
FIG. 3 is a front elevation view thereof;  
FIG. 4 is a rear elevation view thereof;  
FIG. 5 is a right side elevation view thereof;  
FIG. 6 is a left side elevation view thereof;  
FIG. 7 is a top plan view thereof; and,  
FIG. 8 is a bottom plan view thereof.  
The broken lines in the figures show portions of the massage device that form no part of the claimed design.

**1 Claim, 8 Drawing Sheets**



(56)

References Cited

FOREIGN PATENT DOCUMENTS

U.S. PATENT DOCUMENTS

D924,422 S 7/2021 Huang  
 D925,758 S \* 7/2021 Xu ..... D24/215  
 D928,339 S \* 8/2021 Yang ..... D24/215  
 D929,601 S 8/2021 Lin  
 D932,038 S \* 9/2021 Park ..... D24/209  
 D932,045 S \* 9/2021 Shen ..... D24/215  
 D938,056 S 12/2021 Wu  
 D939,725 S 12/2021 Tong  
 D949,400 S \* 4/2022 Wersland ..... D24/215  
 D949,419 S \* 4/2022 Lin ..... D24/215  
 D949,421 S \* 4/2022 Luo ..... D24/215  
 D950,753 S \* 5/2022 Zhang ..... D24/215  
 D952,885 S \* 5/2022 Zou ..... D24/215  
 D953,556 S \* 5/2022 Marton ..... D24/215  
 D953,559 S \* 5/2022 He ..... D24/215  
 2020/0085675 A1 \* 3/2020 Lee ..... A61H 23/006  
 2021/0022955 A1 \* 1/2021 Wersland ..... A61B 5/4806

CN 306354994 2/2021  
 CN 306435174 4/2021  
 EM 008472500-0001 3/2021  
 EM 008559843-0001 6/2021  
 EM 008605000-0001 7/2021  
 GB 9007753124-0001 3/2020  
 GB 9008168678-0001 9/2020  
 GB 6140129 5/2021  
 GB 6140570 6/2021  
 GB 6144484 6/2021  
 GB 6196038 3/2022  
 JP D1682487 4/2021  
 KR 301076890.0000 9/2020  
 KR 301099196.0000 3/2021  
 KR 301116994.0000 7/2021  
 KR 301141355.0000 12/2021  
 WO D210410-002 10/2020  
 WO D216585-006 10/2021

\* cited by examiner

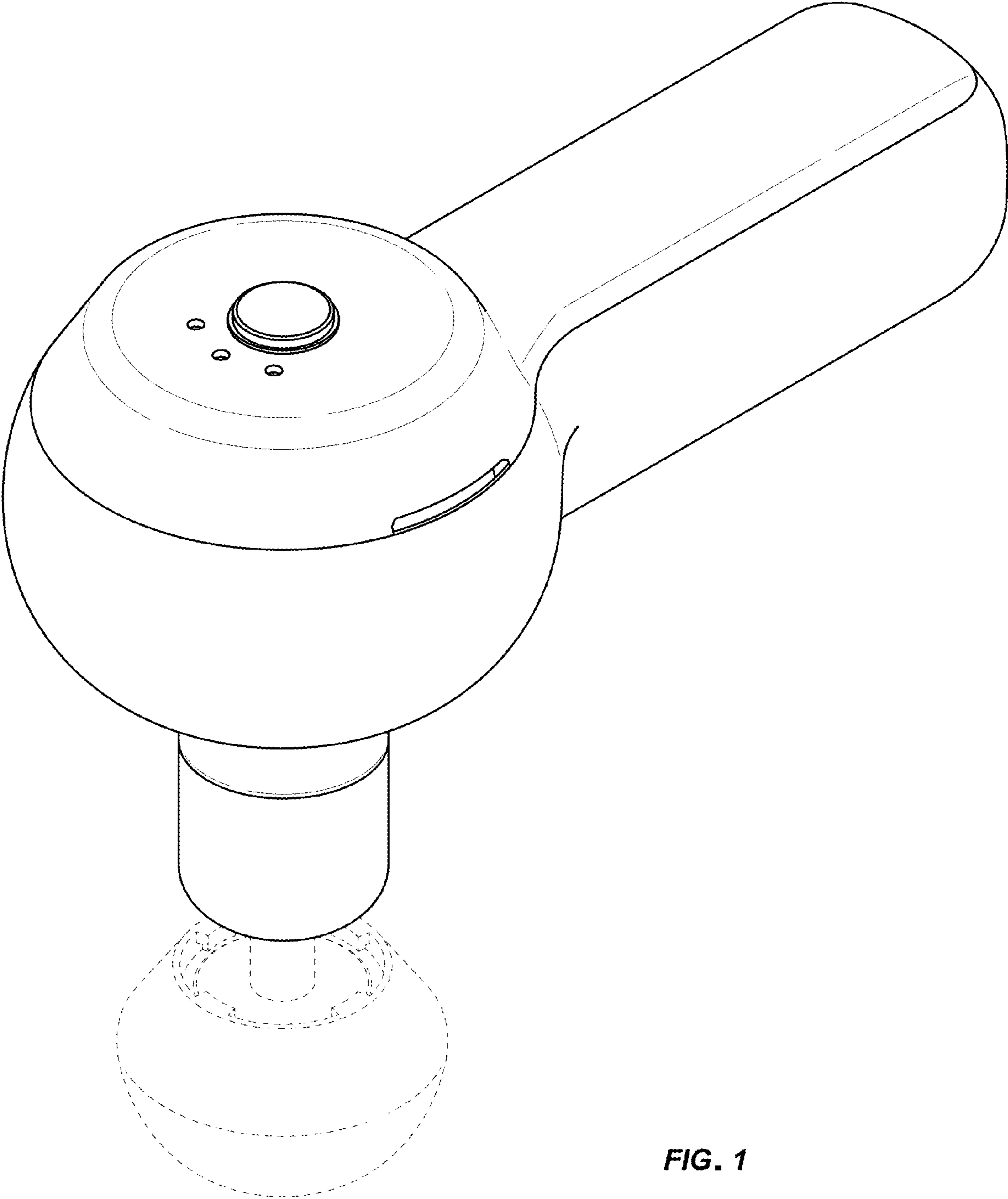
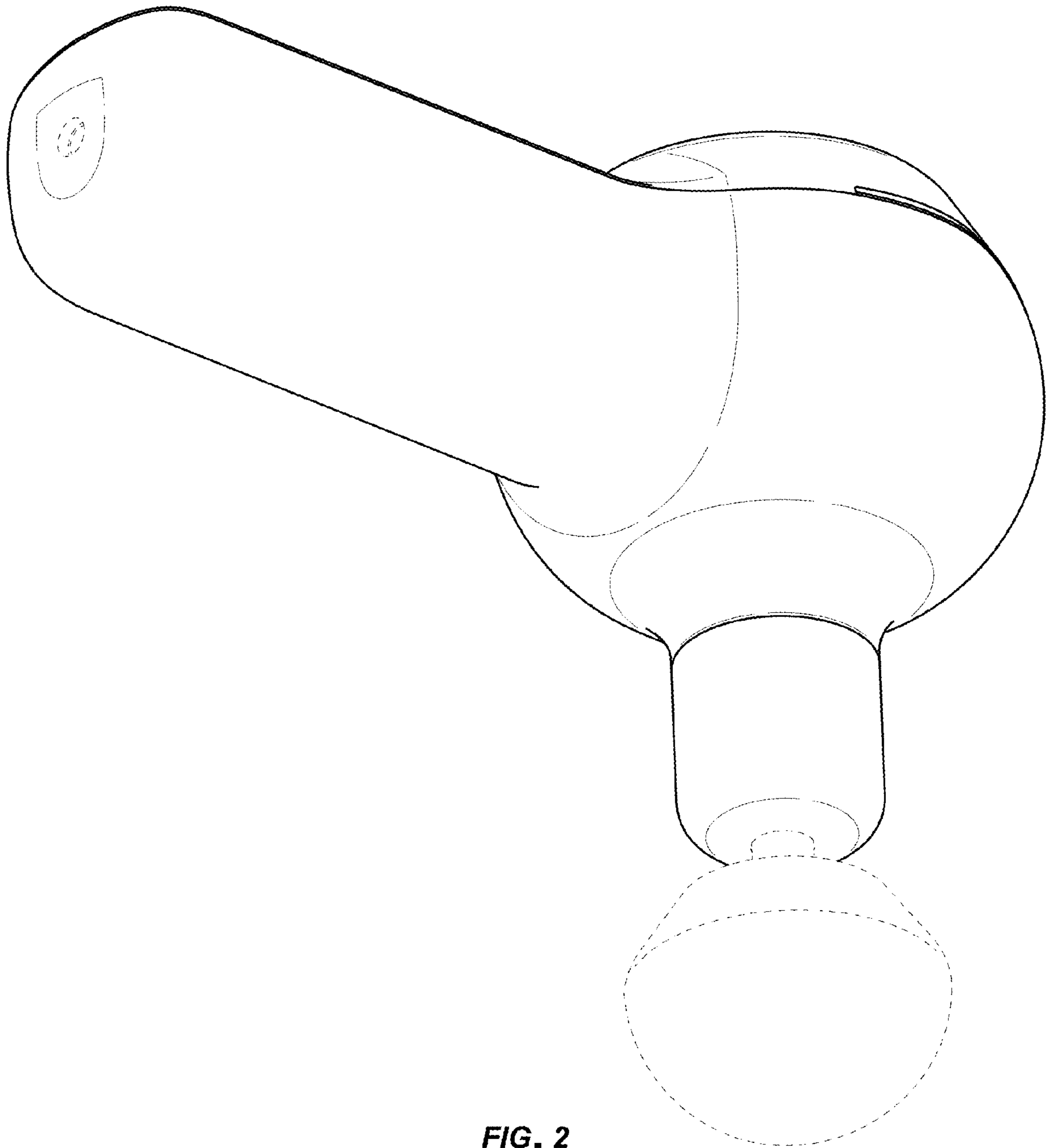
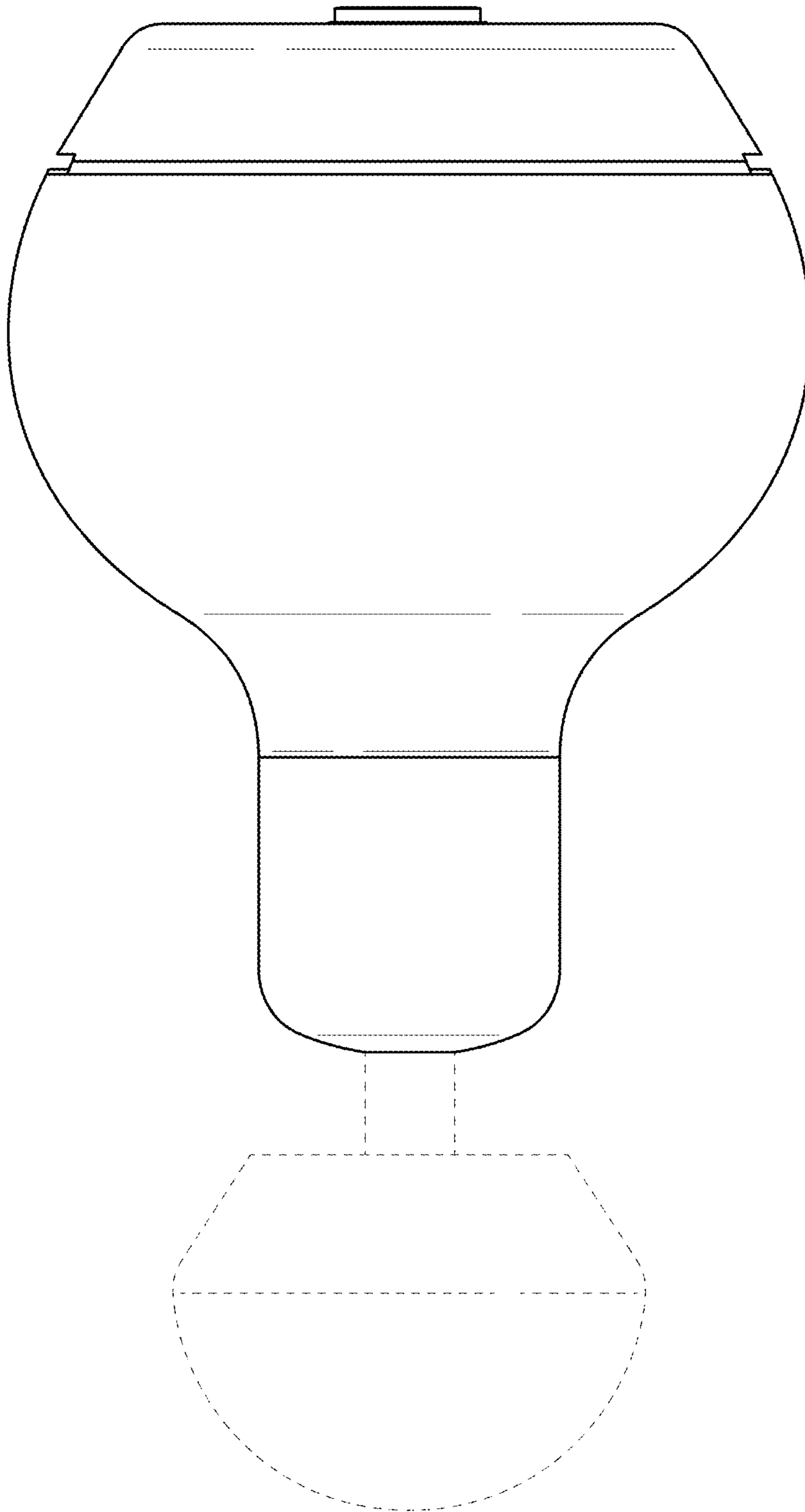


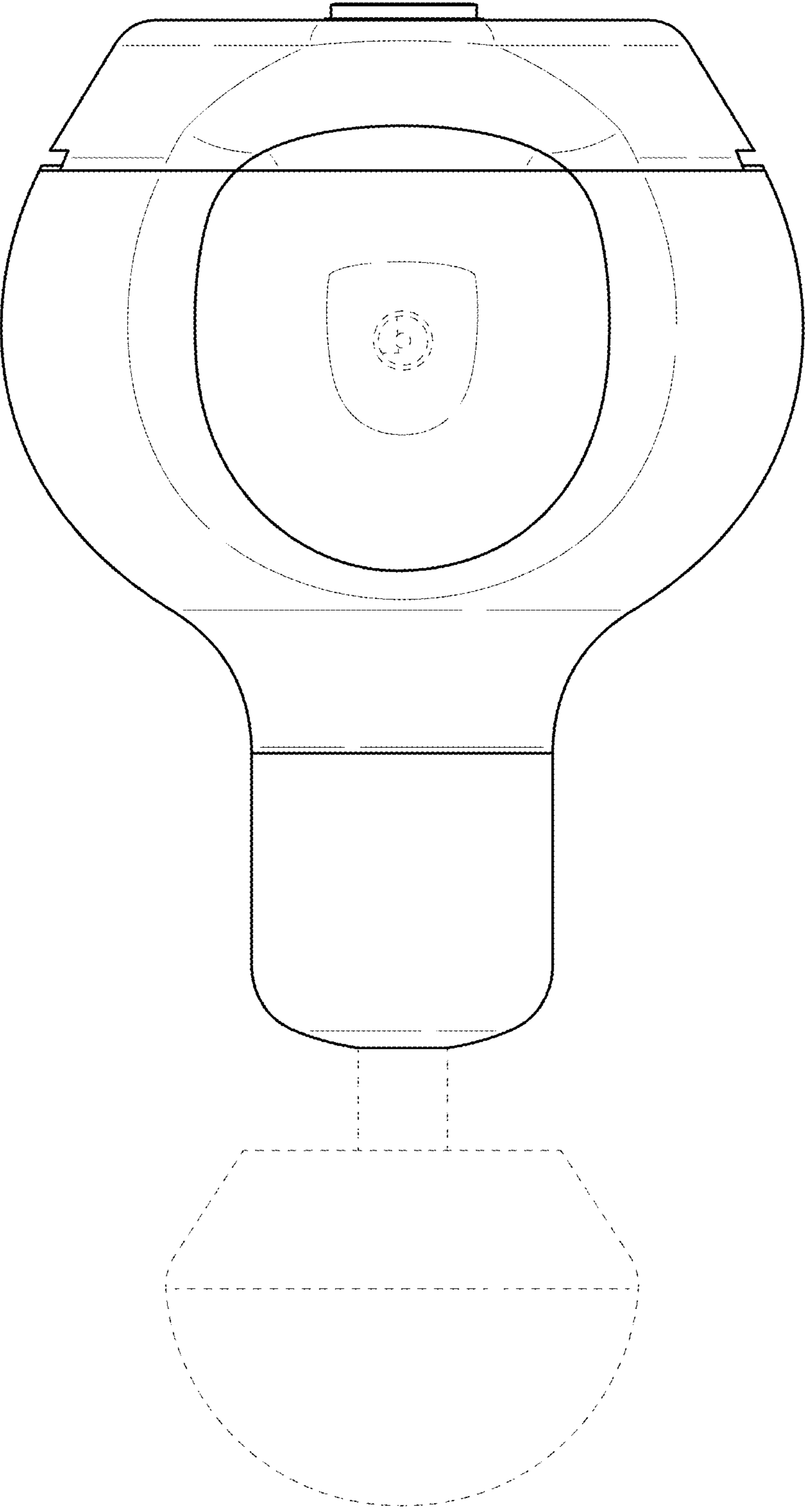
FIG. 1



**FIG. 2**



**FIG. 3**



**FIG. 4**

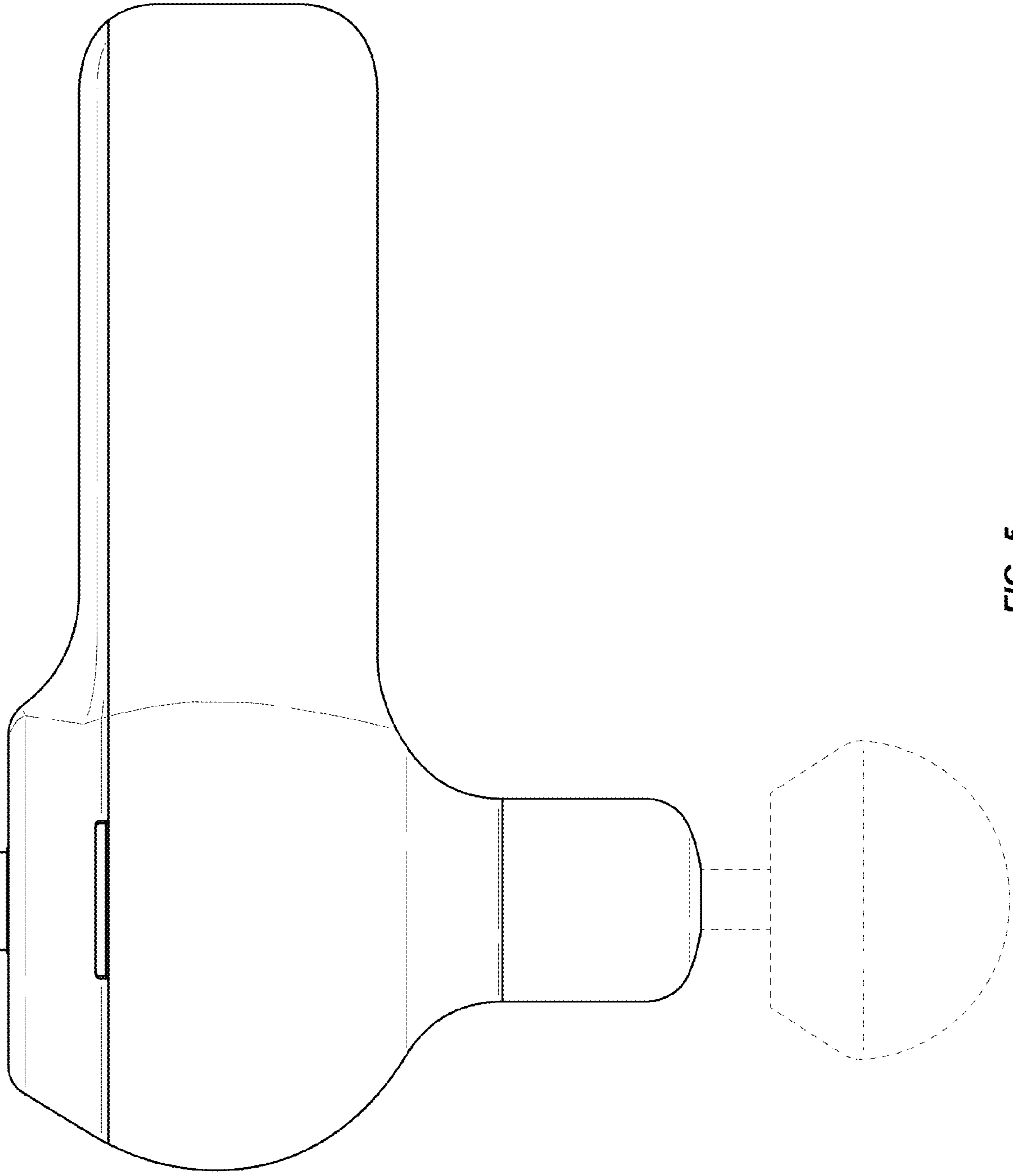


FIG. 5

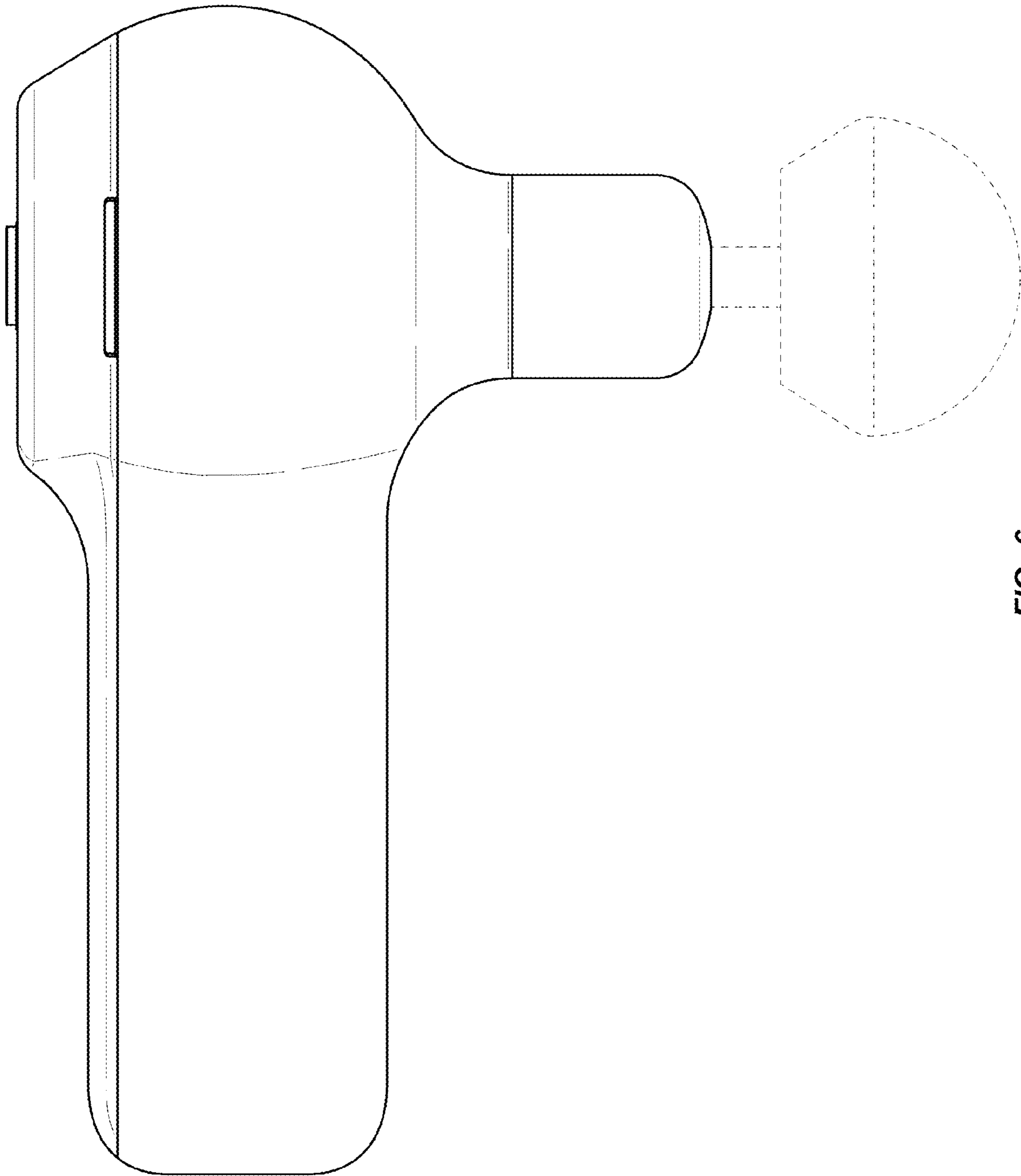
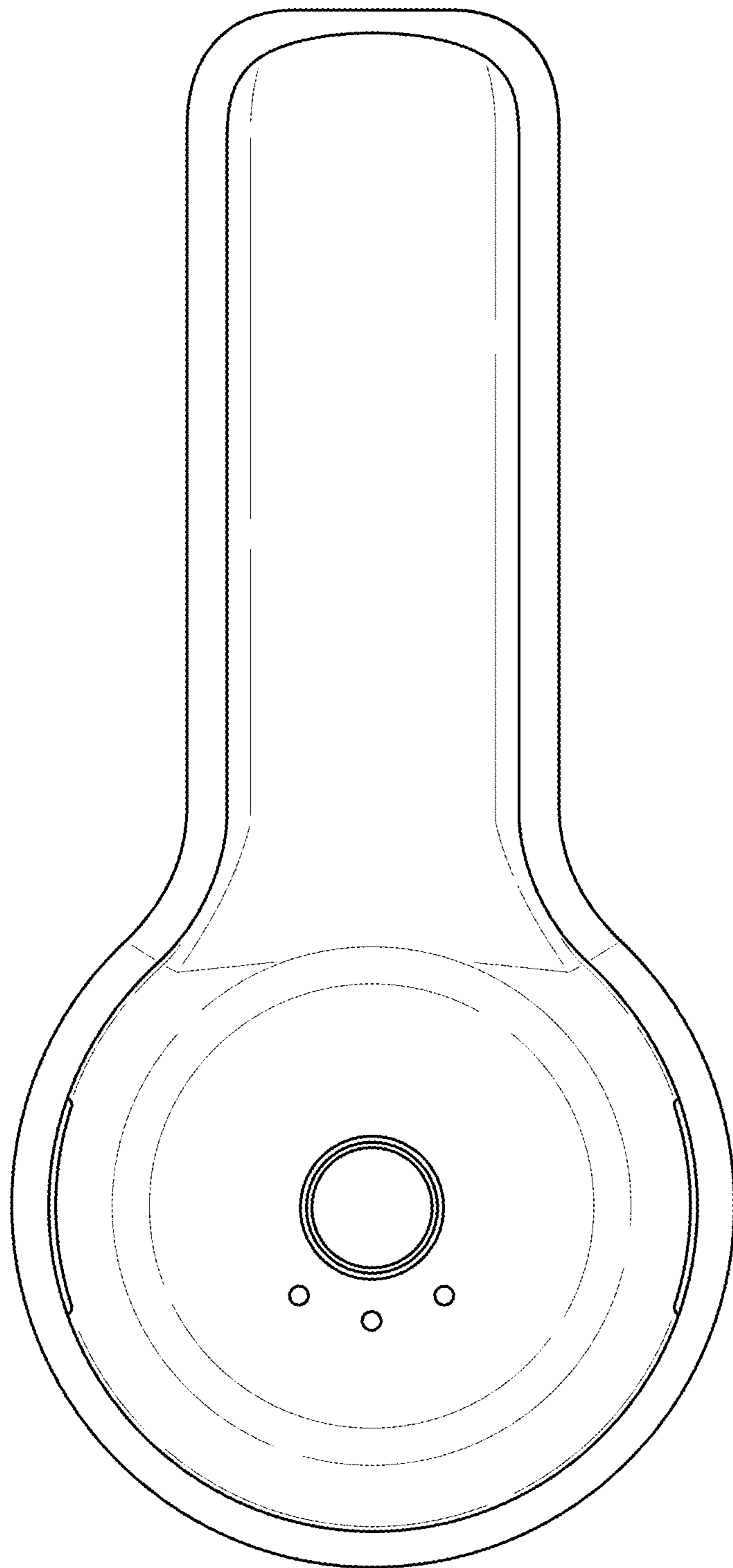
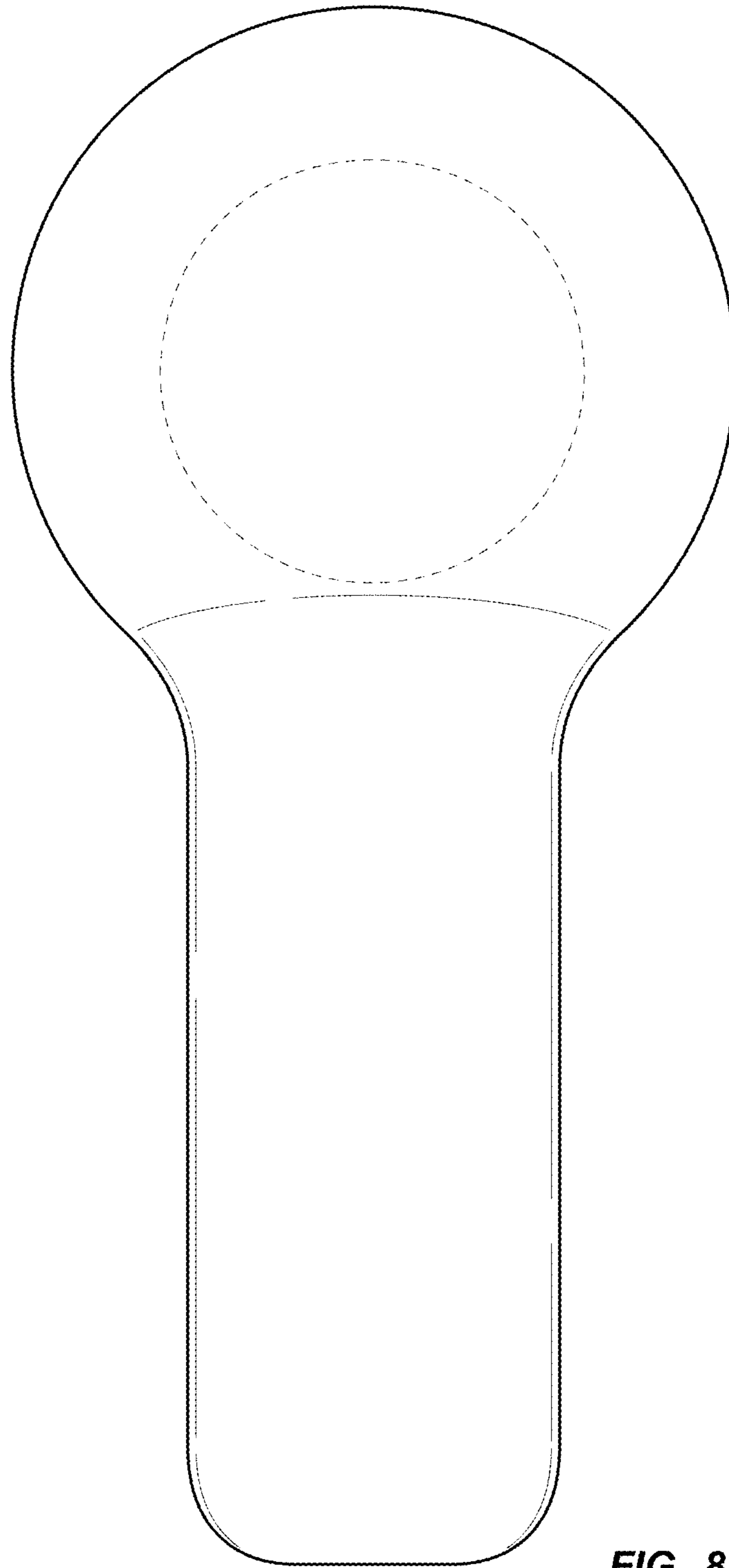


FIG. 6





**FIG. 7**



**FIG. 8**