

US00D967974S

(12) **United States Design Patent** (10) **Patent No.:** **US D967,974 S**
Fu (45) **Date of Patent:** **** Oct. 25, 2022**

(54) **SEX TOY**
(71) Applicant: **Shenzhen DuKaiLe Industrial Co., Ltd., Guangdong (CN)**
(72) Inventor: **Wenrong Fu, Guangdong (CN)**
(73) Assignee: **Shenzhen DuKaiLe Industrial Co., Ltd., Guangdong (CN)**
(**) Term: **15 Years**
(21) Appl. No.: **29/772,196**
(22) Filed: **Feb. 26, 2021**
(51) **LOC (13) Cl.** **28-03**
(52) **U.S. Cl.**
USPC **D24/215**
(58) **Field of Classification Search**
USPC D24/119, 133, 141, 200, 211, 212, 213, D24/214, 215; D30/160
CPC A61H 7/001; A61H 7/007; A61H 19/32; A61H 2205/087; A61H 19/50
See application file for complete search history.

D930,180 S * 9/2021 Wang D24/215
D939,726 S * 12/2021 Liu D24/215
D941,485 S * 1/2022 Wu D24/215
D943,105 S * 2/2022 Chen D24/215
D949,403 S * 4/2022 Preobrazhenskaia D24/215
D949,405 S * 4/2022 Yuan D24/215
D950,757 S * 5/2022 Anderton D24/215
D950,758 S * 5/2022 Yzusqui Burkard D24/215

OTHER PUBLICATIONS

Amazon, "Love Eggs Bullet Vibrator", Dec. 30, 2019. https://www.amazon.com/Vibrator-Vibrating-Control-Stimulation-Wireless/dp/B07YFXN3K2/ref=cm_cr_arp_d_product_top?ie=UTF8. (Year: 2019).*

* cited by examiner

Primary Examiner — Michael A Maharajh
(74) *Attorney, Agent, or Firm* — ScienBiziP, P.C.

(57) **CLAIM**

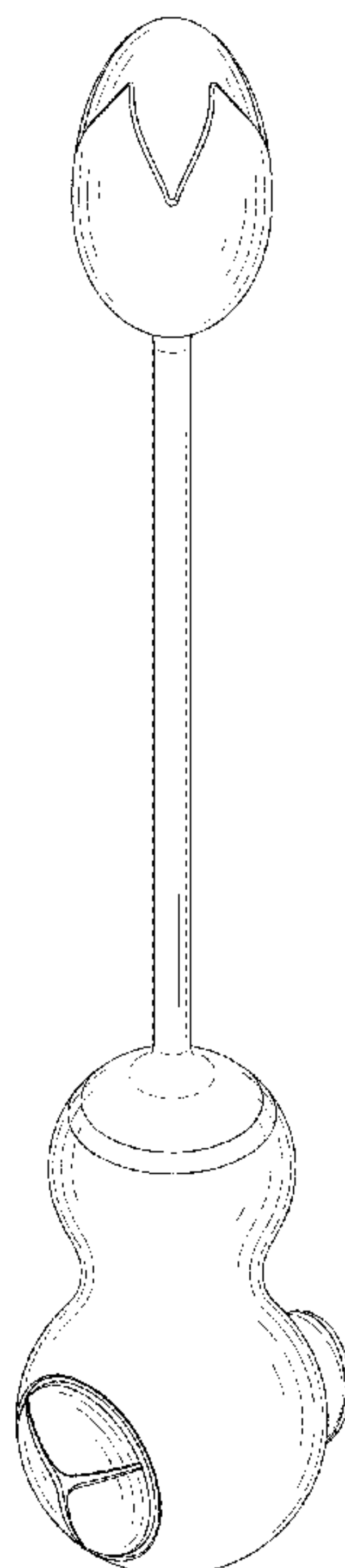
The ornamental design for a sex toy, as shown and described.

DESCRIPTION

FIG. 1 is a front, right, and top perspective view of a sex toy, showing my design.
FIG. 2 is a rear, left, and bottom perspective view thereof.
FIG. 3 is a front elevation view thereof.
FIG. 4 is a rear elevation view thereof.
FIG. 5 is a left side elevation view thereof.
FIG. 6 is a right side elevation view thereof.
FIG. 7 is a top plan view thereof; and,
FIG. 8 is a bottom plan view thereof.
The broken lines shown in the drawings are for the purpose of illustrating portions of the sex toy, which form no part of the claimed design.

1 Claim, 8 Drawing Sheets

(56) **References Cited**
U.S. PATENT DOCUMENTS
D465,852 S * 11/2002 Bloch D24/214
D556,335 S * 11/2007 Hagege D24/215
D705,941 S * 5/2014 Hahr D24/215
D792,980 S * 7/2017 Olivares D24/215
D844,803 S * 4/2019 Liu D24/215
D857,222 S * 8/2019 Liu D24/215
D908,904 S * 1/2021 Liu D24/215
D911,541 S * 2/2021 Cheung D24/215
D924,420 S * 7/2021 Liu D24/215



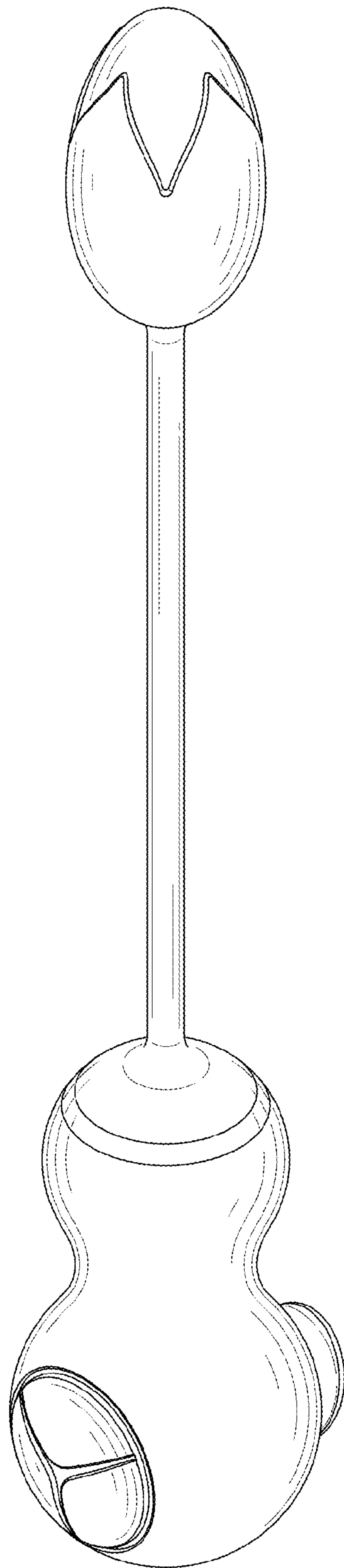


FIG. 1

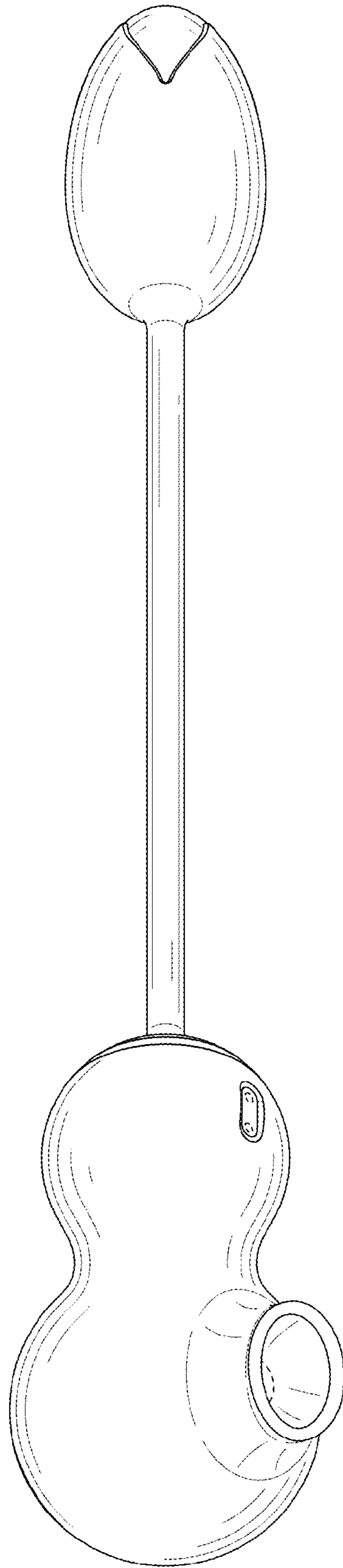


FIG. 2

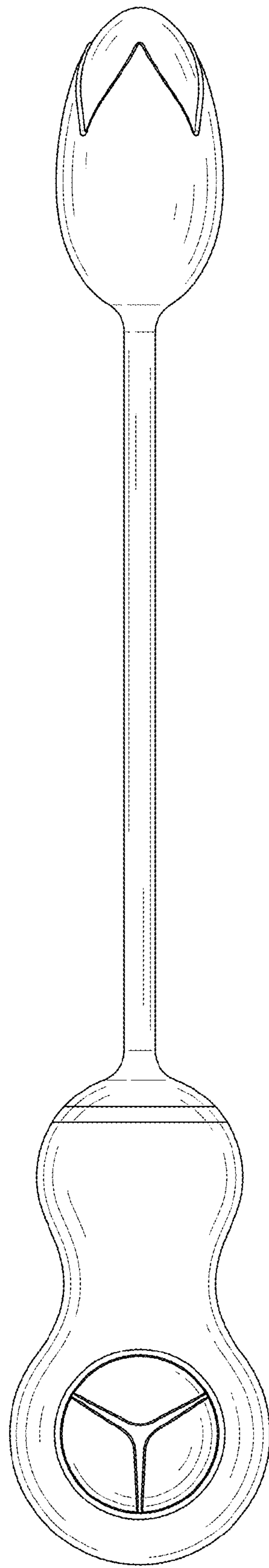


FIG. 3

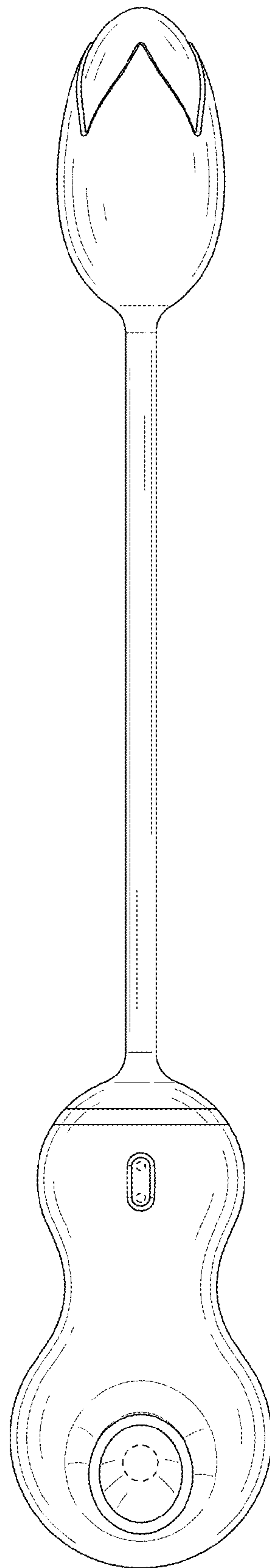


FIG. 4

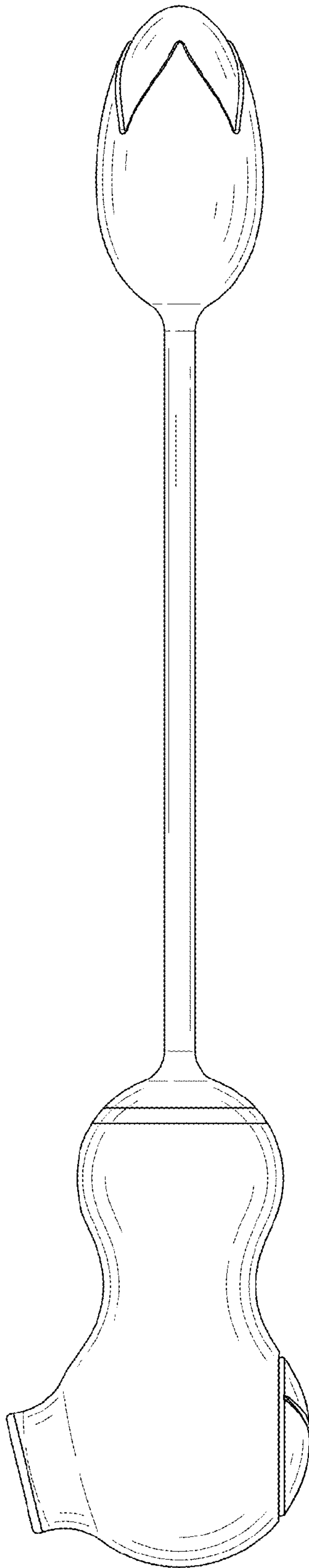


FIG. 5

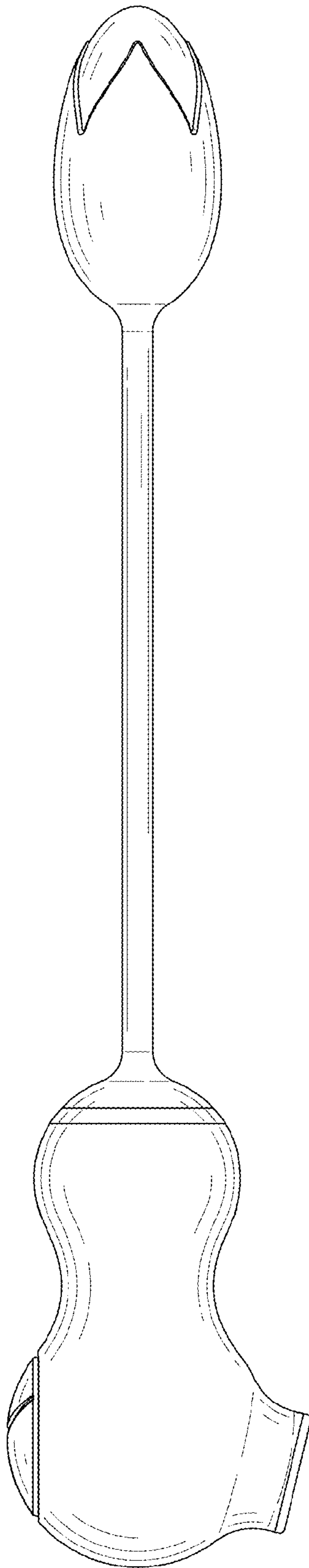


FIG. 6

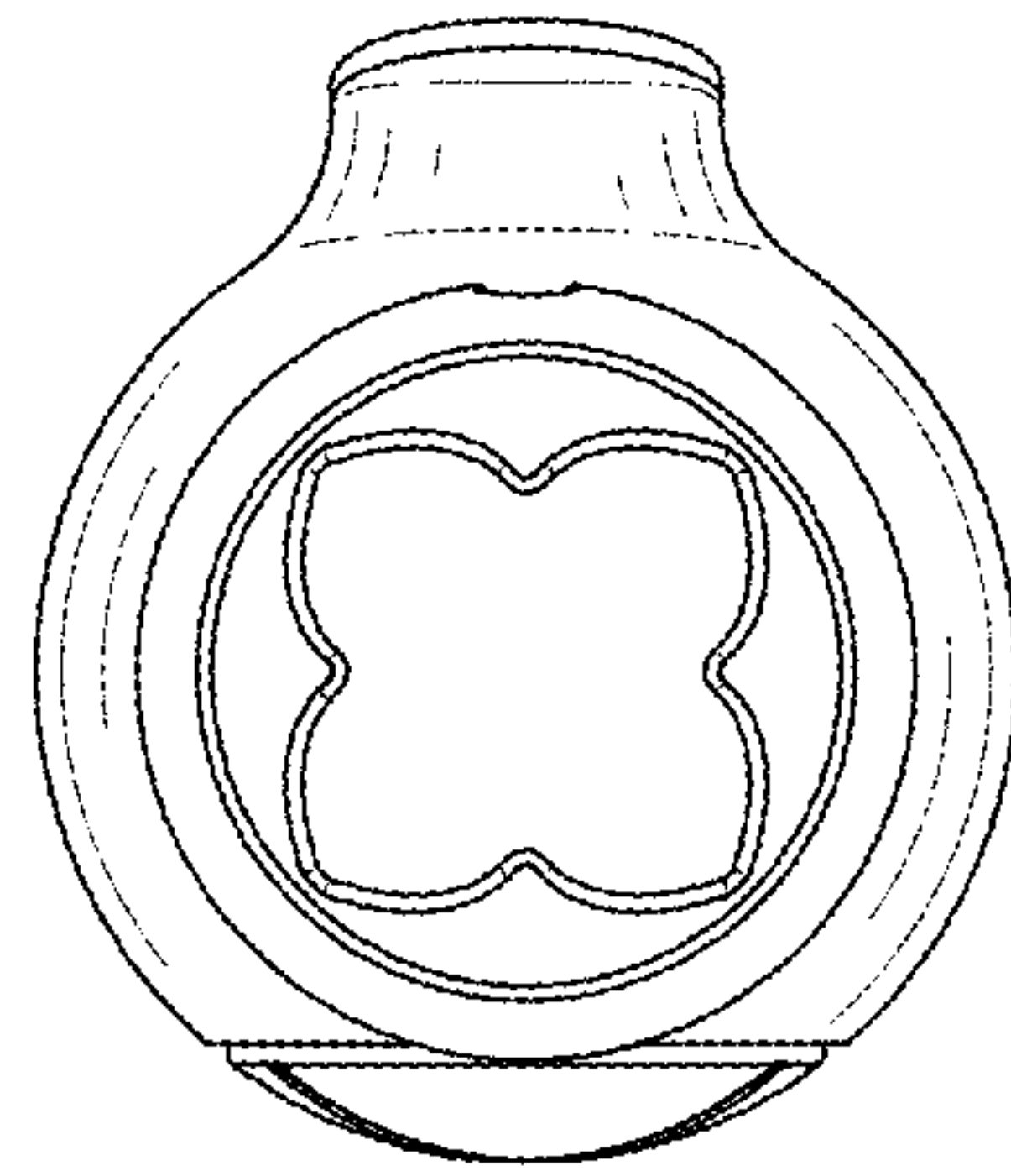


FIG. 7

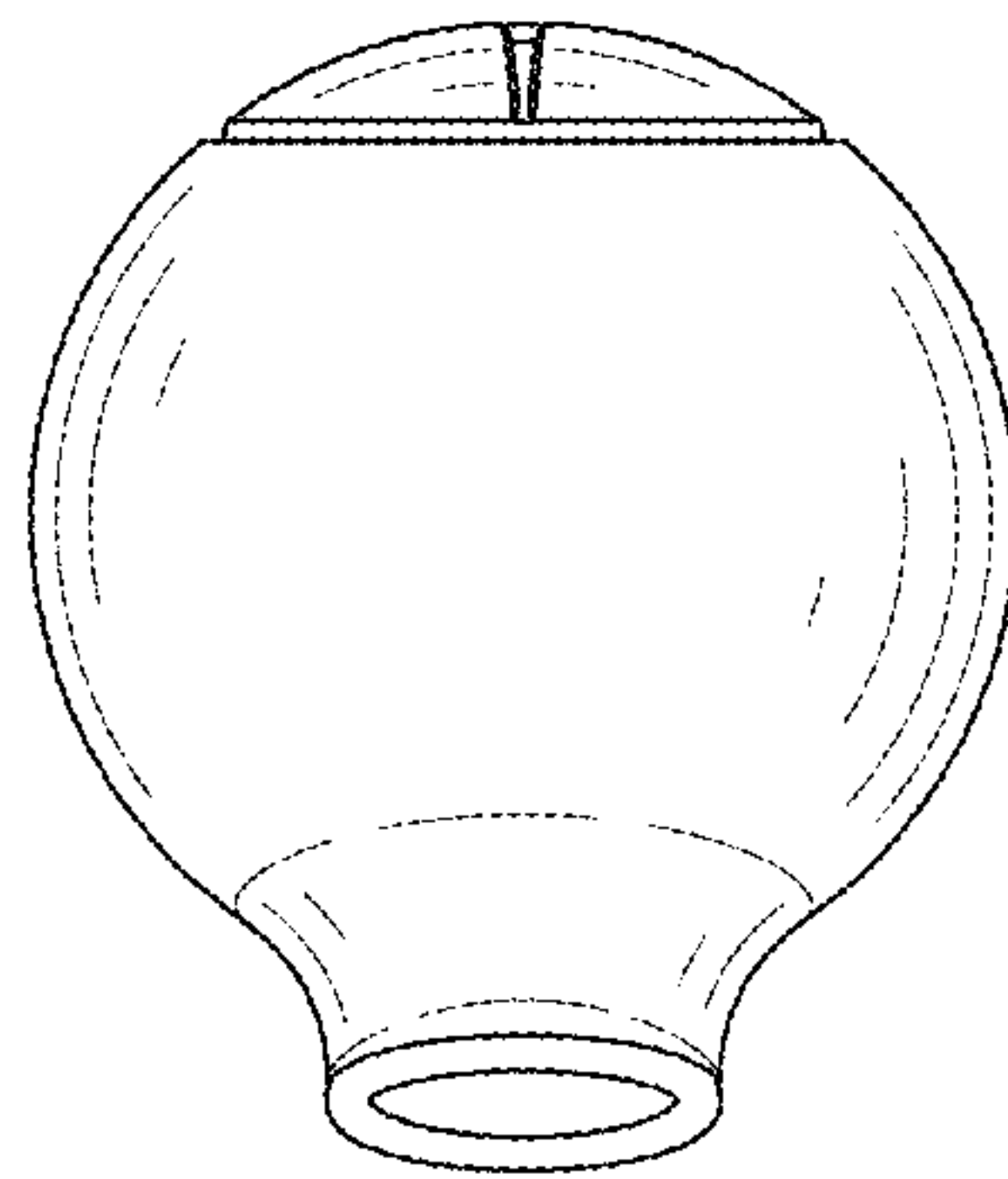


FIG. 8