



US00D967973S

(12) **United States Design Patent** (10) **Patent No.:** **US D967,973 S**  
**Yi** (45) **Date of Patent:** **\*\* Oct. 25, 2022**

(54) **SEX TOY**

(71) Applicant: **Chen Yi, Jilin (CN)**

(72) Inventor: **Chen Yi, Jilin (CN)**

(\*\*) Term: **15 Years**

(21) Appl. No.: **29/763,973**

(22) Filed: **Dec. 28, 2020**

(51) **LOC (13) Cl.** ..... **28-03**

(52) **U.S. Cl.**  
USPC ..... **D24/215**

(58) **Field of Classification Search**  
USPC ..... D21/662, 673, 686, 691, 694, 826;  
D25/62, 66, 68, 119, 126, 136; D6/329;  
D8/14, 323, 349, 354, 360; D24/107,  
D24/128, 215; D15/10, 66, 122, 141,  
D15/147, 199  
CPC .. A63B 1/00; A63B 2023/003; A63B 23/1218  
See application file for complete search history.

(56) **References Cited**

**U.S. PATENT DOCUMENTS**

- 4,350,067 A \* 9/1982 Picard ..... B27B 17/0058  
269/296
- 4,355,525 A \* 10/1982 Carson ..... B21D 7/024  
D15/123
- D549,749 S \* 8/2007 Francis ..... D15/141
- 9,808,669 B2 \* 11/2017 Letow ..... A63B 21/4045

- D824,036 S \* 7/2018 Hu ..... D24/200
- D908,231 S \* 1/2021 Ye ..... D24/200
- D911,543 S \* 2/2021 Zhang ..... D24/215
- D919,108 S \* 5/2021 Zhang ..... D24/215

**OTHER PUBLICATIONS**

Amazon, "Thrusting Sex Machine", Jun. 30, 2019. <https://www.amazon.co.uk/Automatic-Thrusting-Machine-Masturbation-Silent/dp/B07TRG368Q>. Shown on pp. 1 and 2. (Year: 2019).\*

\* cited by examiner

*Primary Examiner* — Michael A Maharajh

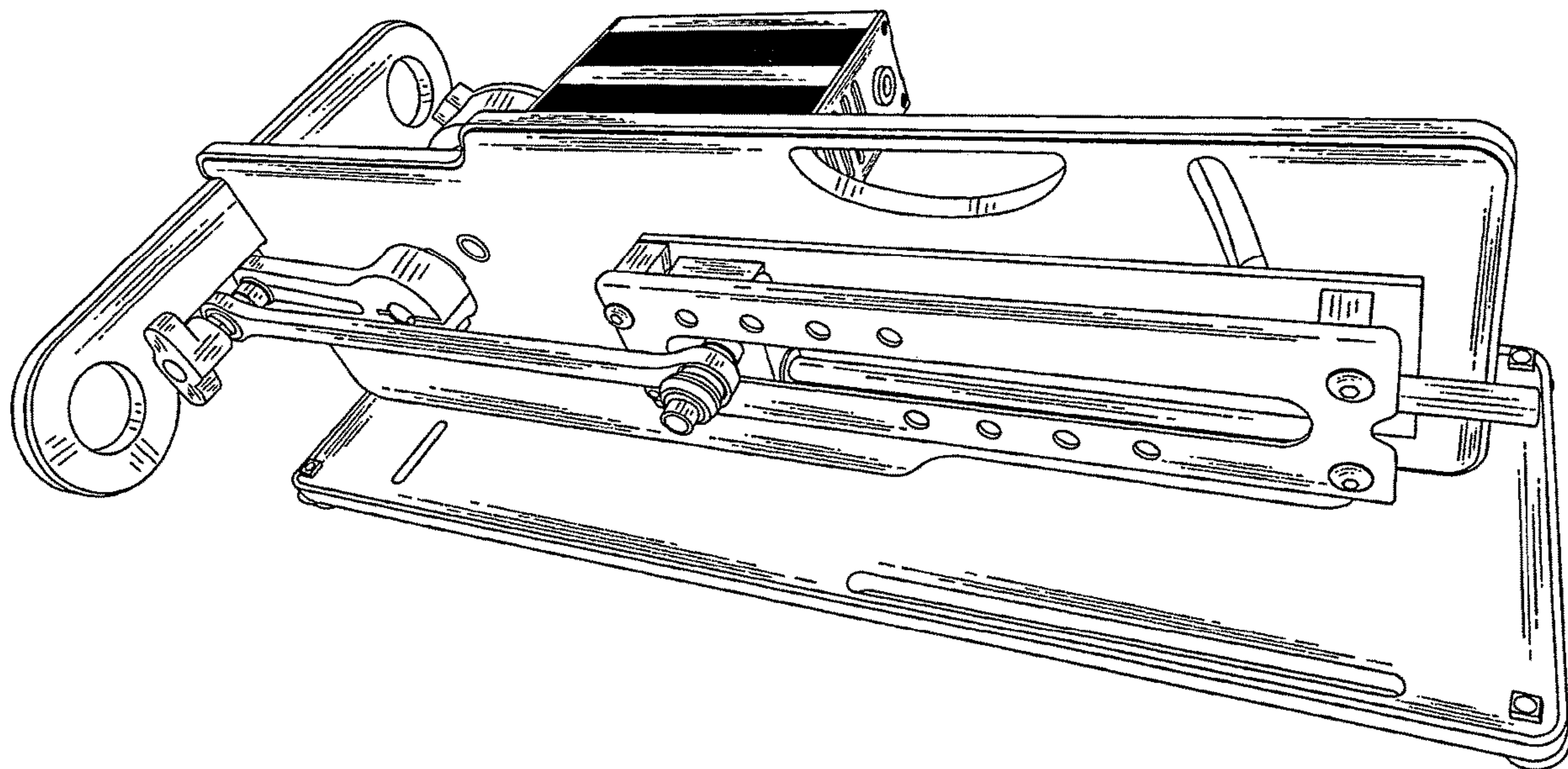
(57) **CLAIM**

The ornamental design for a sex toy, as shown and described.

**DESCRIPTION**

FIG. 1 is a perspective view of a sex toy showing my new design;  
FIG. 2 is a front elevation view thereof;  
FIG. 3 is a rear elevation view thereof;  
FIG. 4 is a left side elevation view thereof;  
FIG. 5 is a right side elevation view thereof;  
FIG. 6 is a top plan view thereof; and,  
FIG. 7 is a bottom plan view thereof.  
The broken lines shown in the figures are for the purpose of illustrating portions of the sex toy, which form no part of the claimed design.

**1 Claim, 7 Drawing Sheets**



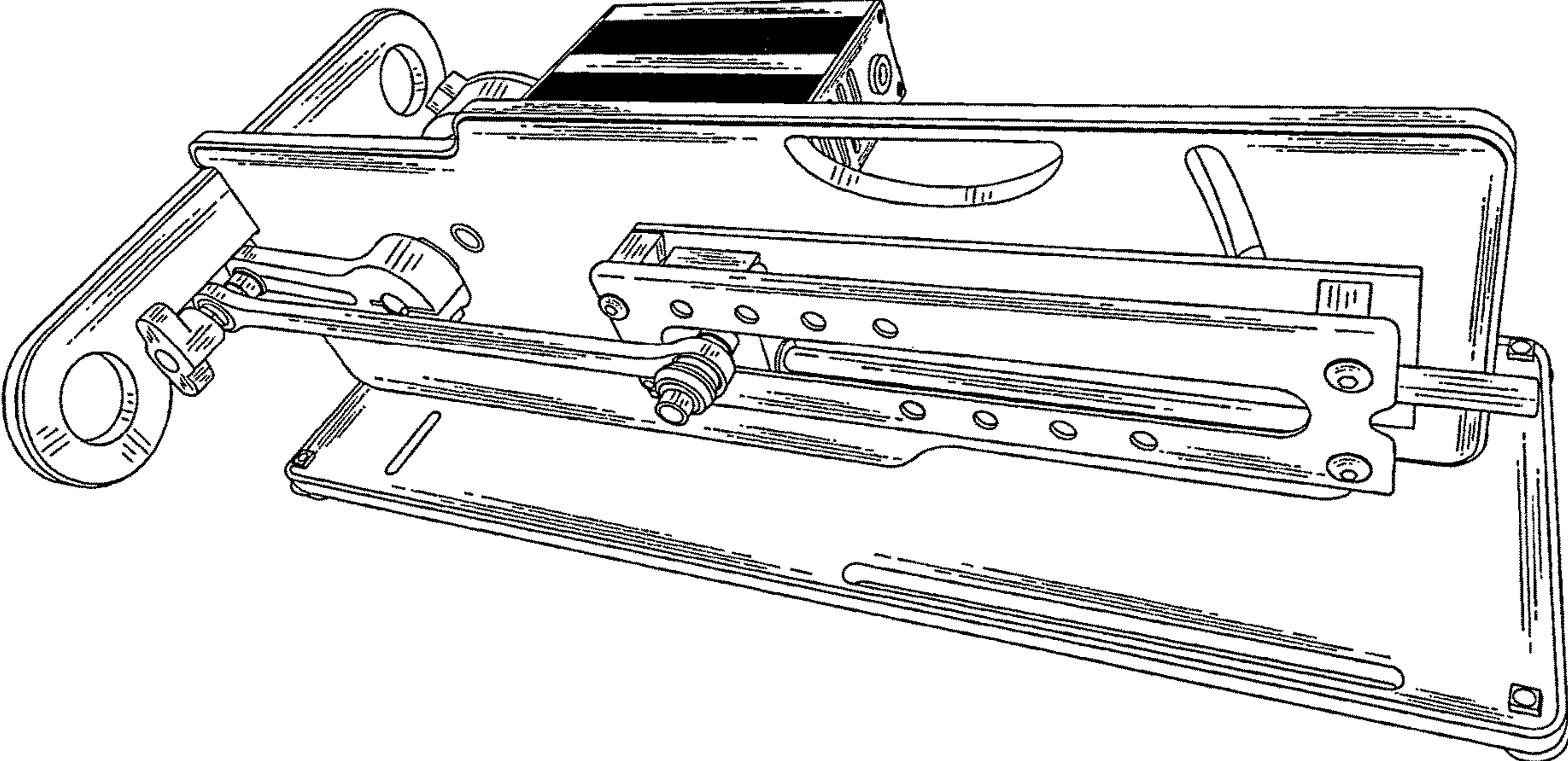


FIG. 1

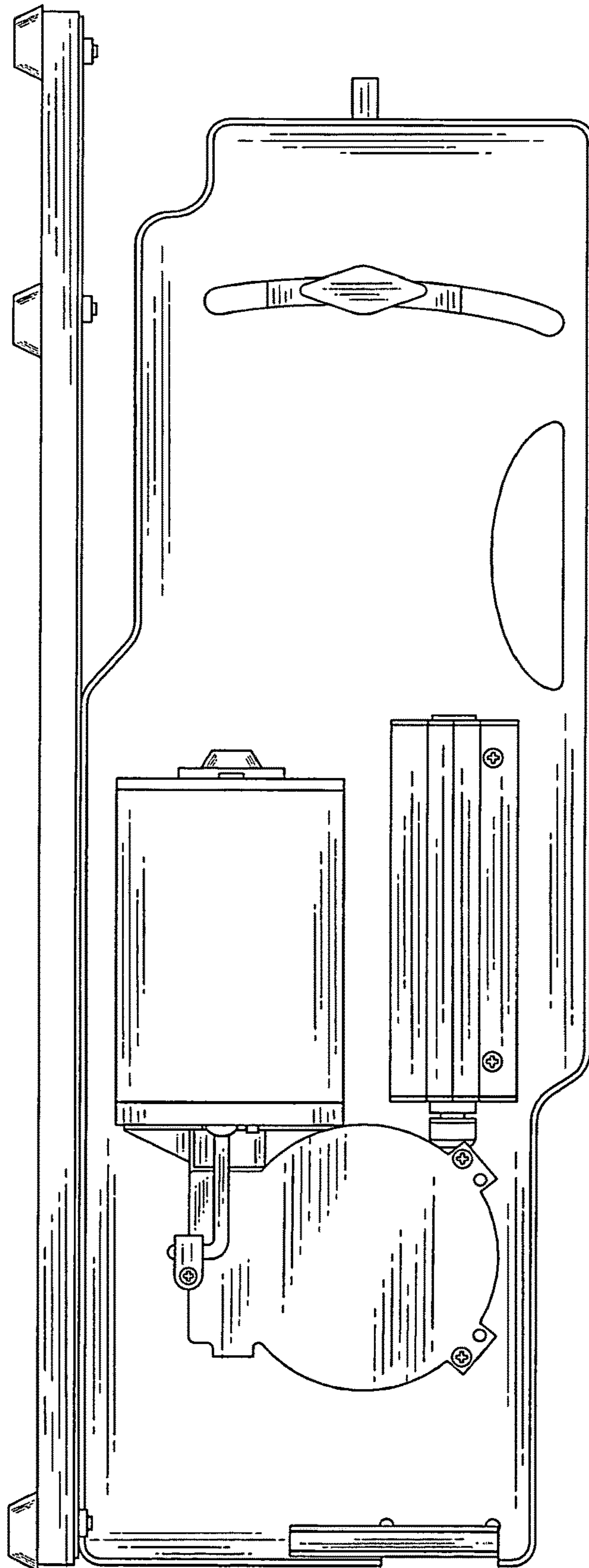


FIG. 2

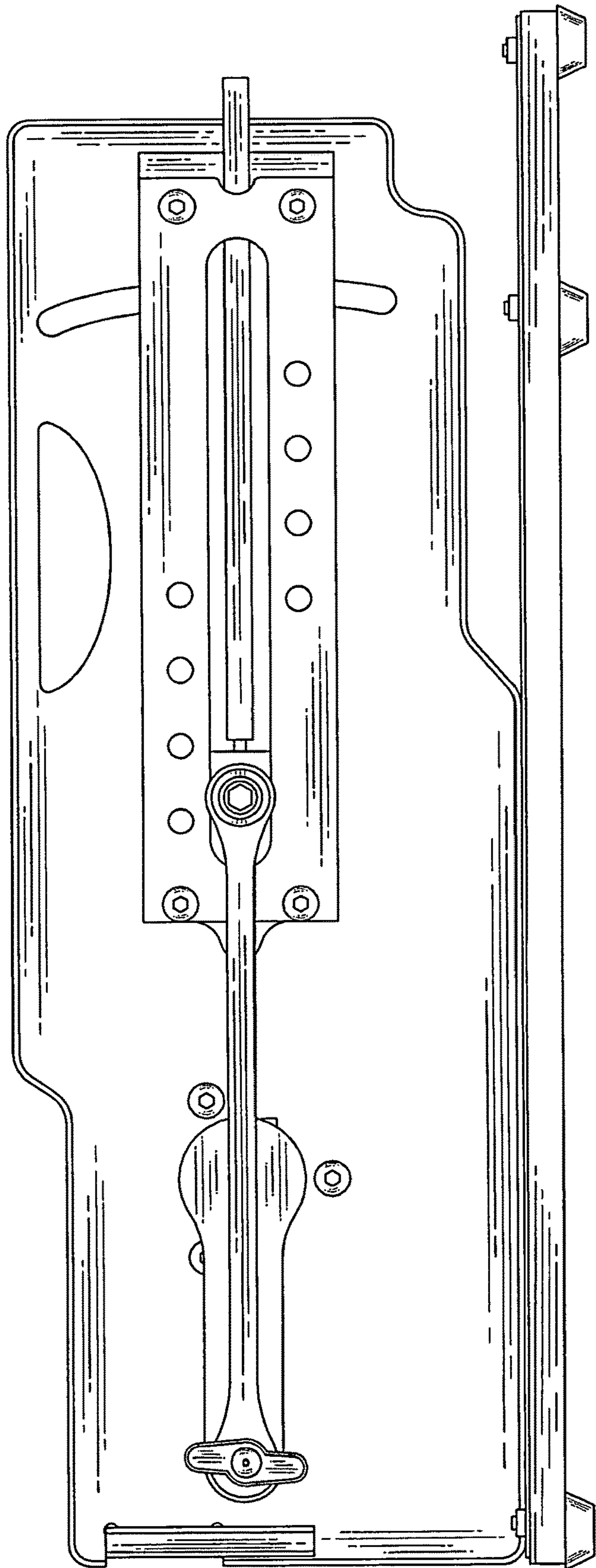


FIG. 3

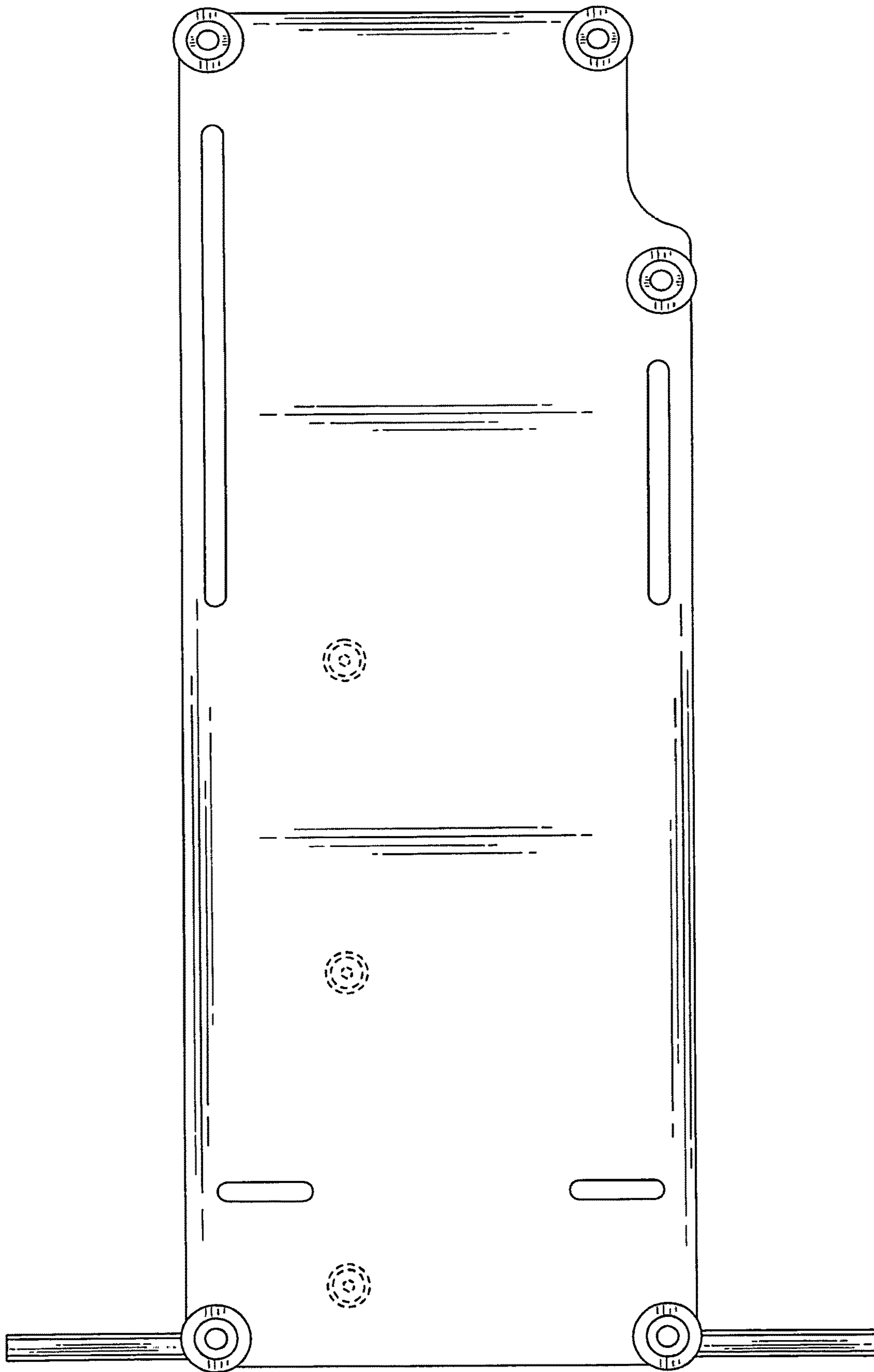


FIG. 4

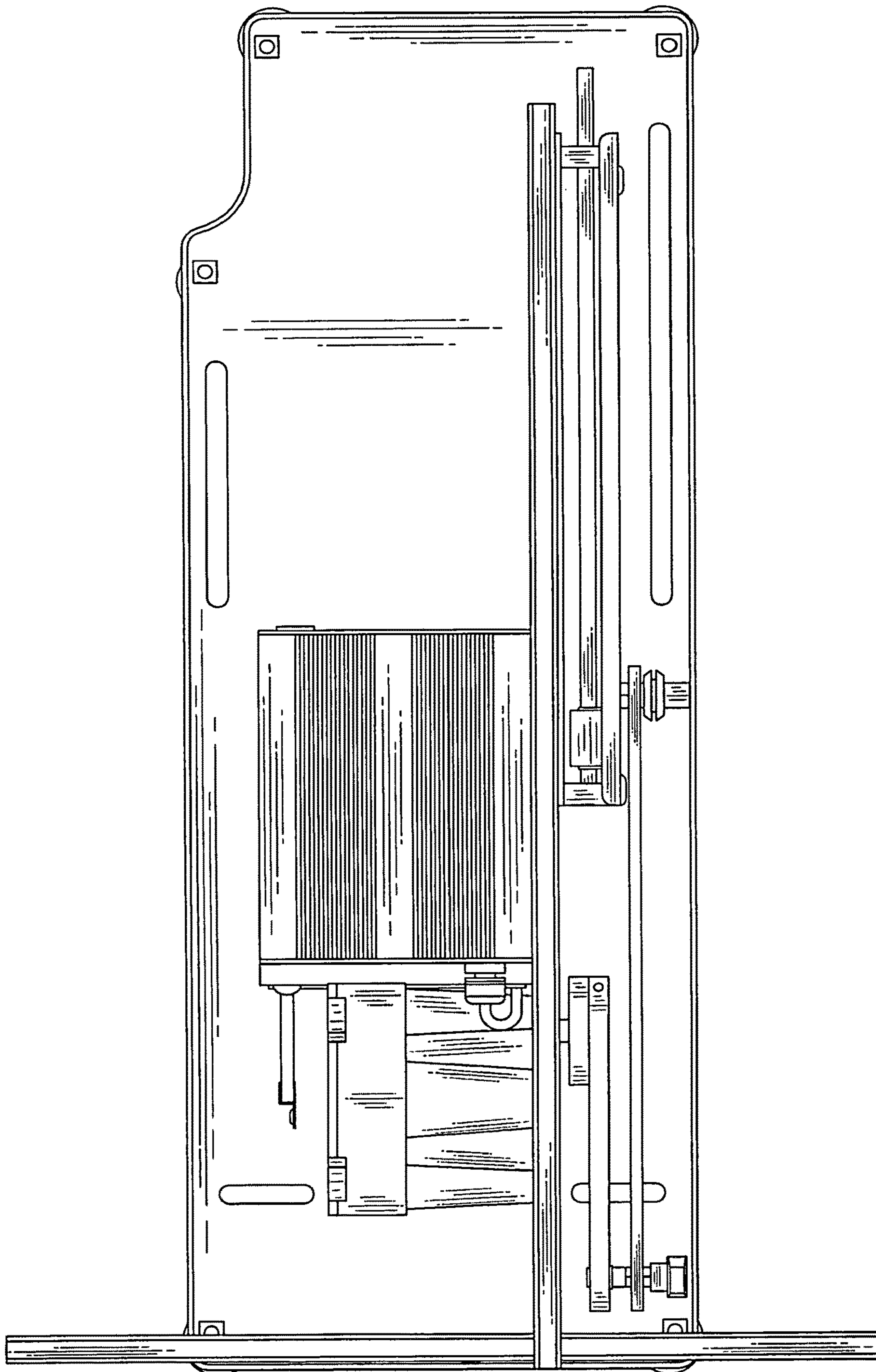


FIG. 5

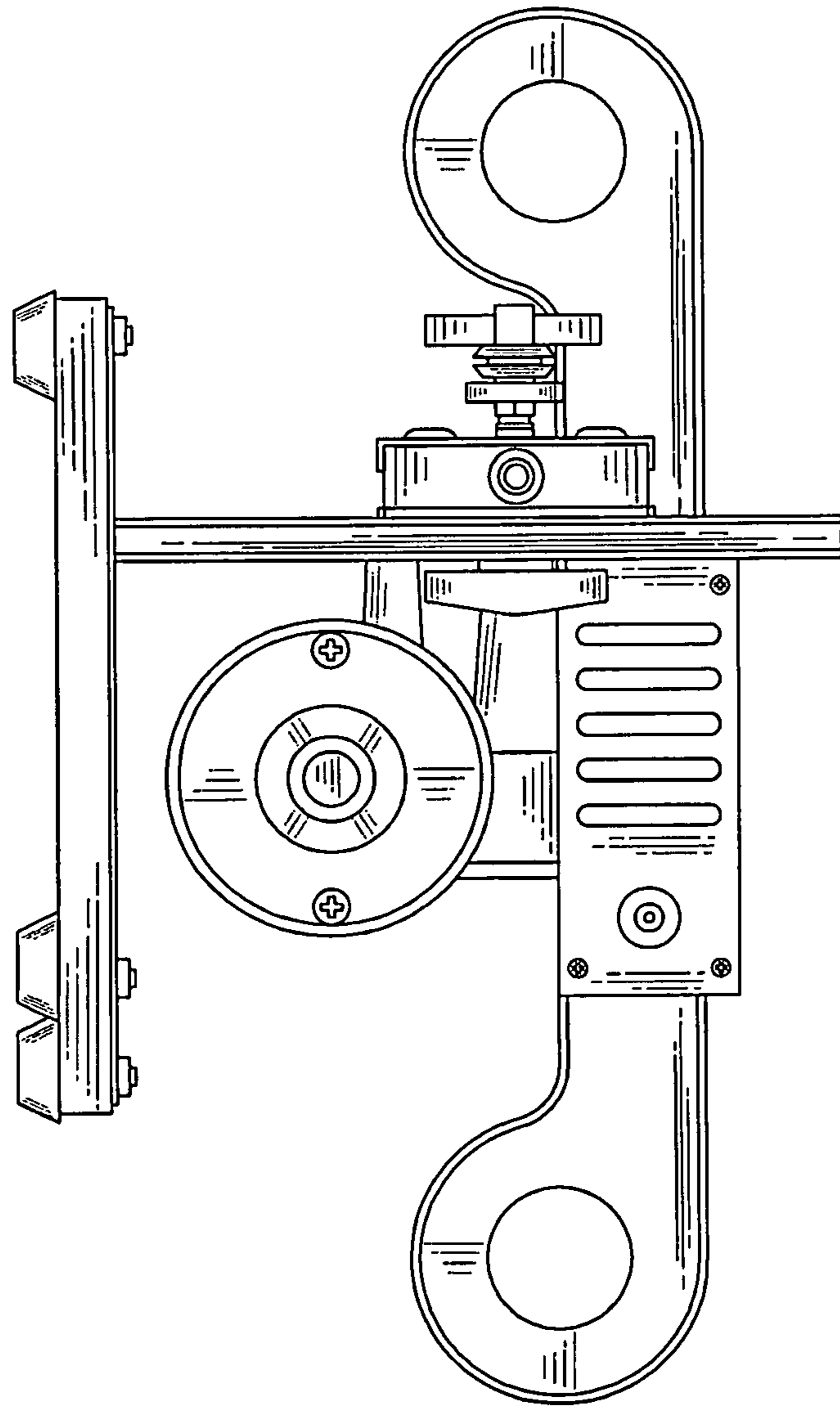


FIG. 6

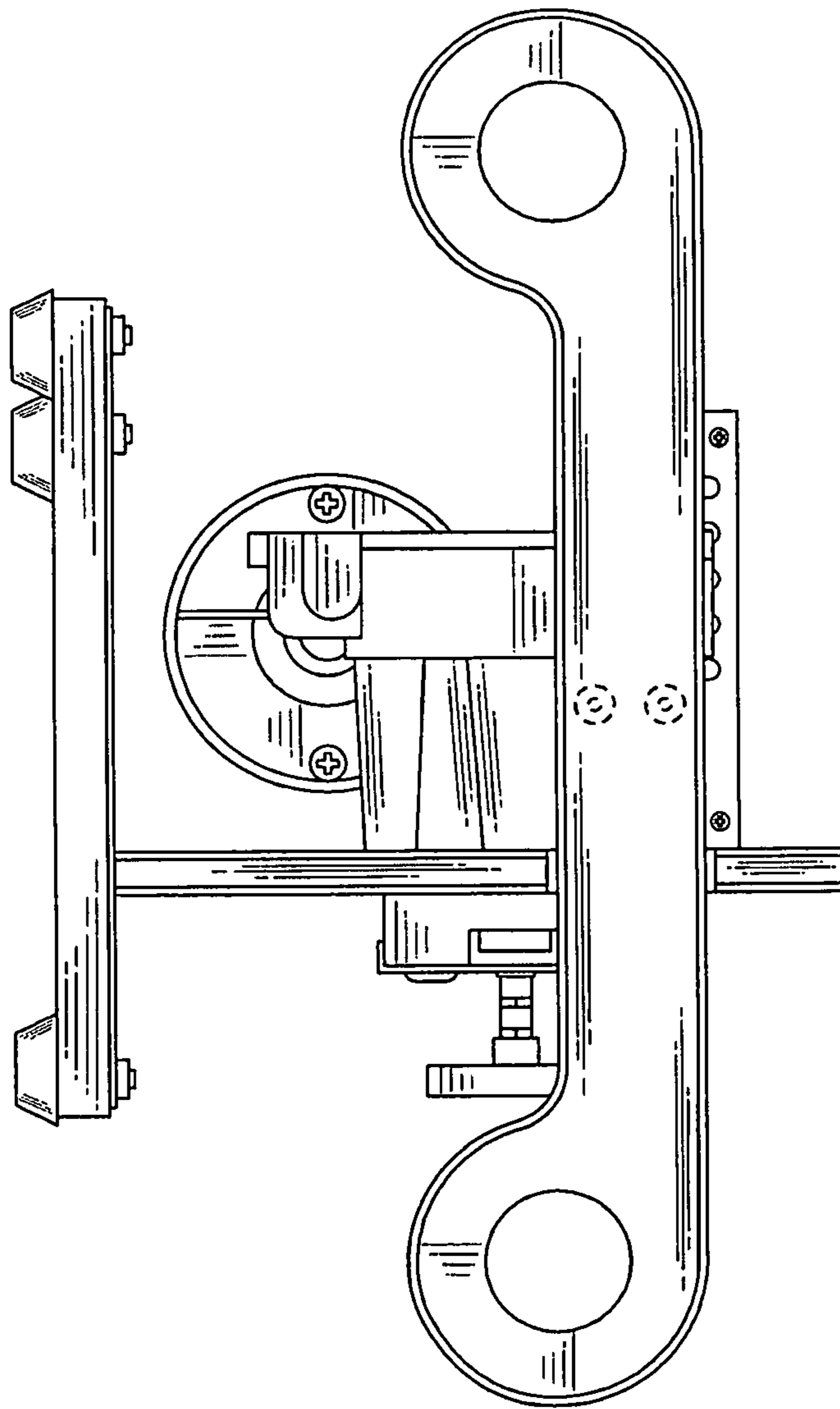


FIG. 7