



US00D967972S

(12) **United States Design Patent** (10) **Patent No.:** **US D967,972 S**
Hu (45) **Date of Patent:** **** Oct. 25, 2022**

(54) **MUSCLE MASSAGE GUN**
(71) Applicant: **DONGGUAN XIQIN Electrical Appliance Co., Ltd., Dongguan (CN)**

(72) Inventor: **Dashuai Hu, Dongguan (CN)**

(**) Term: **15 Years**

(21) Appl. No.: **29/752,619**

(22) Filed: **Sep. 28, 2020**

(30) **Foreign Application Priority Data**

Apr. 17, 2020 (CN) 202030158284.3

(51) **LOC (13) Cl.** **28-03**

(52) **U.S. Cl.**
USPC **D24/215**

(58) **Field of Classification Search**
USPC D24/215, 200, 211, 212, 213, 214, 133,
D24/107, 231, 184; D8/14.1, 61;
D28/12, 13
CPC A61H 15/00; A61H 15/0092; A61H
15/0078; A61H 15/0085; A61H
2015/0007; A61H 2015/0042; A61H
2201/0153; A61H 7/00; A61H 7/003;
A61H 7/004; A61H 7/005; A61H 9/00;
A61H 2205/06

See application file for complete search history.

(56) **References Cited**

U.S. PATENT DOCUMENTS

D314,126 S * 1/1991 Moore D8/67
D403,075 S * 12/1998 Lie D24/215
6,682,496 B1 * 1/2004 Pivaroff A61H 7/005
601/107
D782,733 S * 3/2017 Smith D28/13
D796,037 S * 8/2017 Becker D24/133
D847,364 S * 4/2019 Lee D24/215
D884,205 S * 5/2020 Zhuang D24/215
D895,132 S * 9/2020 Hu D24/215
D932,045 S * 9/2021 Shen D24/215

2016/0074641 A1* 3/2016 Mehta A61H 23/02
604/315
2019/0175434 A1* 6/2019 Zhang A61H 15/0085
2020/0085675 A1* 3/2020 Lee A61H 23/006

OTHER PUBLICATIONS

High Speed Vibration Body Massager. Date: Not listed. [online]. [Site visited Jun. 2, 2022]. Available from Internet URL: https://www.alibaba.com/product-detail/High-Speed-Vibration-Body-Massager-Deep_1600311455968.html (Year: NA).
Gardenature—Massage Gun. Date: Jul. 10, 2020. [online]. [Site visited Jun. 8, 2022]. Available from Internet URL: <https://www.amazon.com/dp/B08CRQVG31/> (Year: 2020).
Massagers. (Design—© Questel) orbit.com. [Online PDF compilation of references] 19 pgs. Print Dates Range May 1, 2020-Jan. 5, 2021 [Retrieved Jun. 2, 2022] <https://www.orbit.com/export/UCZAH96B/pdf4/fa099d1a-cb33-4e56-af28-07df3e2e6dcd-190549.pdf> (Year: 2022).*

* cited by examiner

Primary Examiner — Susan Bennett Hattan
Assistant Examiner — Landon Thomas Cassell
(74) *Attorney, Agent, or Firm* — Tsz Lung Yeung

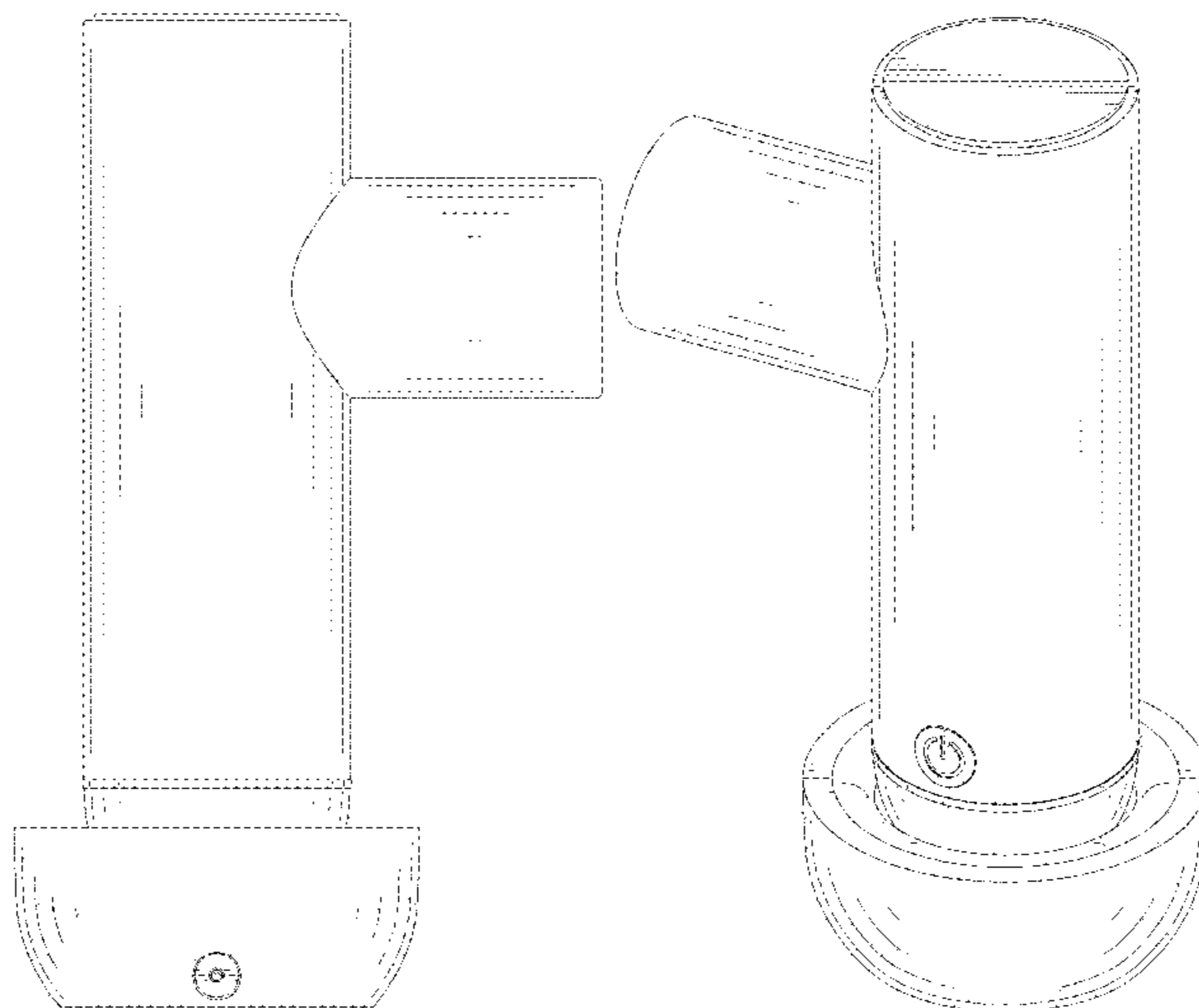
(57) **CLAIM**

The ornamental design for a muscle massage gun, as shown and described.

DESCRIPTION

FIG. 1 is a front view of a muscle massage gun showing my new design;
FIG. 2 is a rear view thereof;
FIG. 3 is a left side view thereof;
FIG. 4 is a right side view thereof;
FIG. 5 is a top view thereof;
FIG. 6 is a bottom view thereof;
FIG. 7 is a perspective view thereof; and,
FIG. 8 is a bottom perspective view thereof.
The broken lines depict portions of the muscle massage gun that form no part of the claimed design.

1 Claim, 8 Drawing Sheets



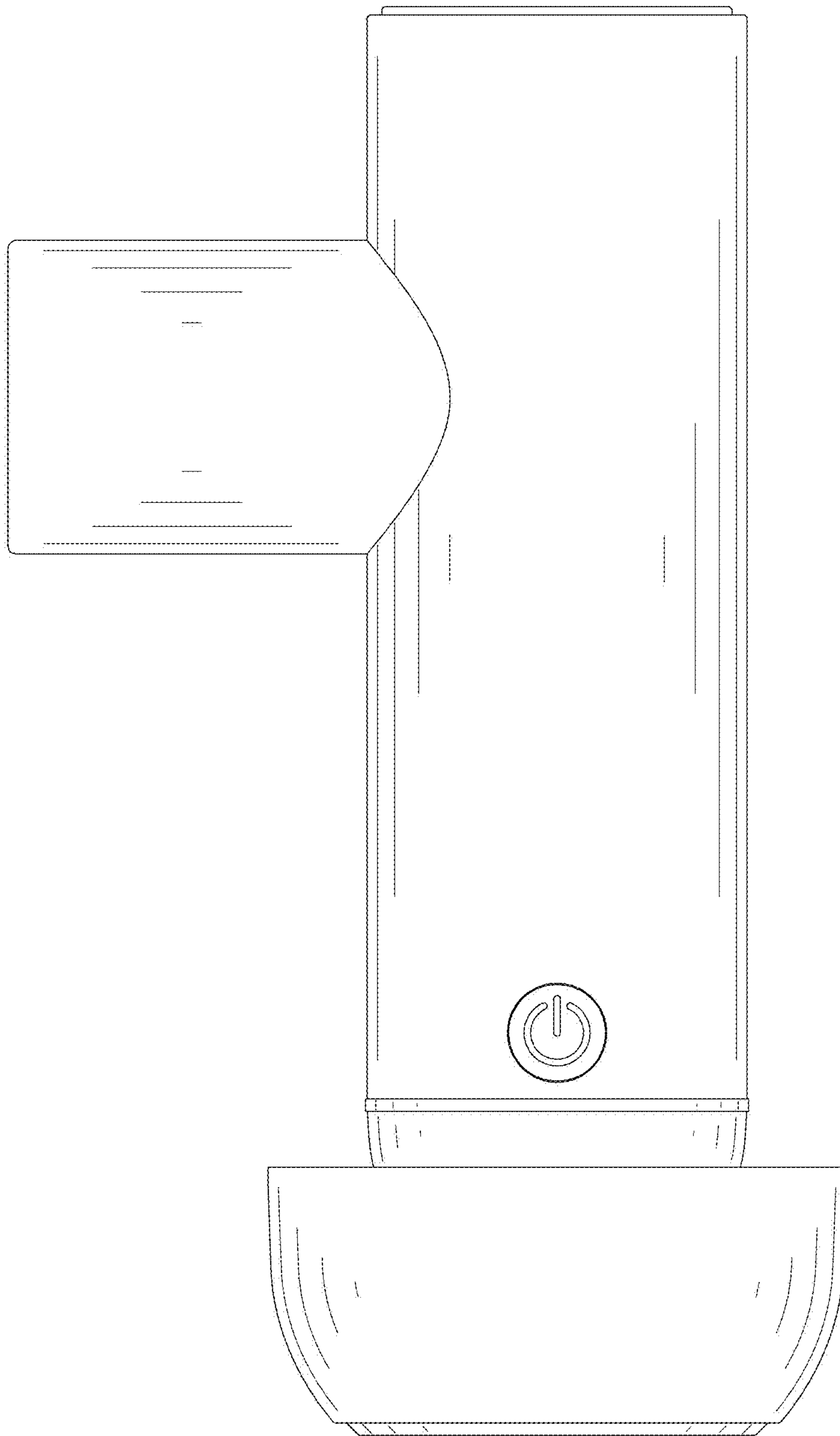


FIG.1

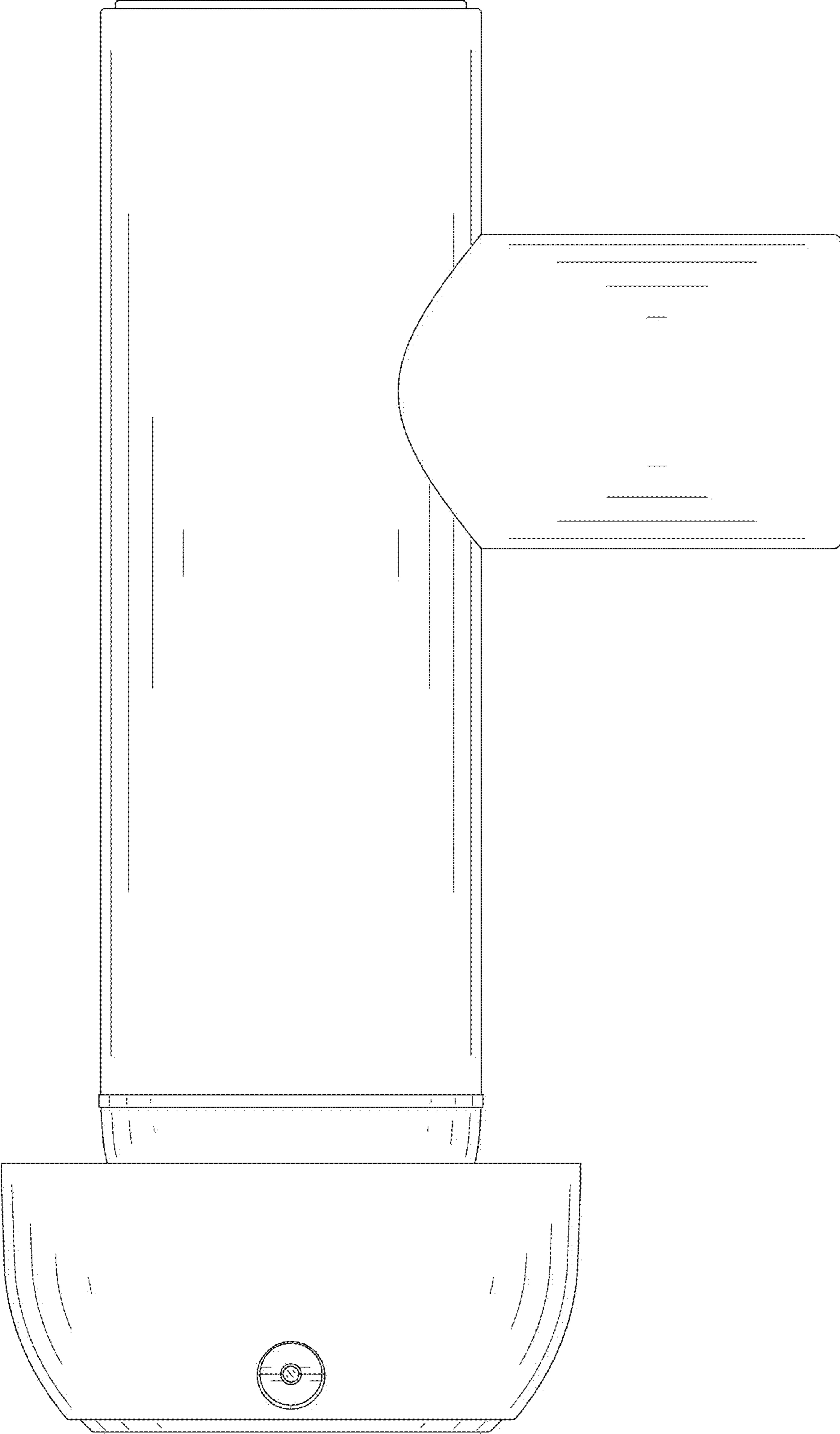


FIG.2

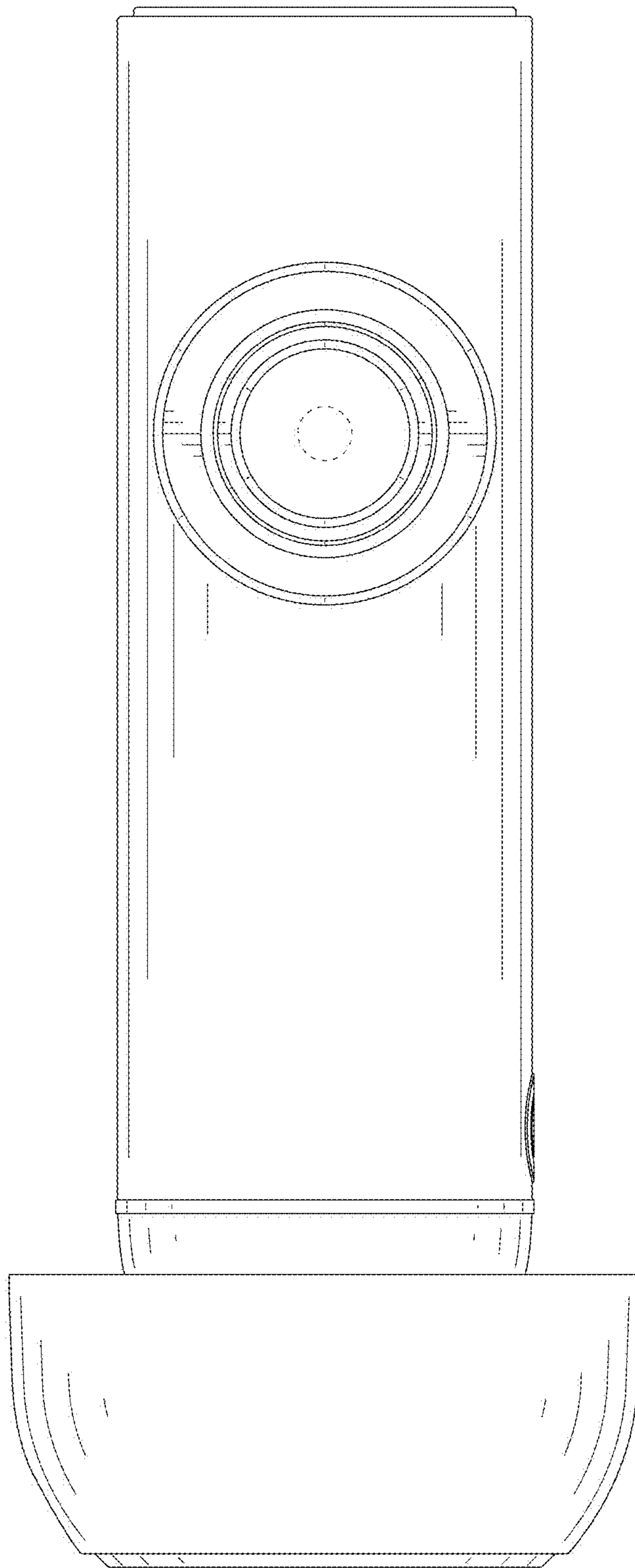


FIG.3

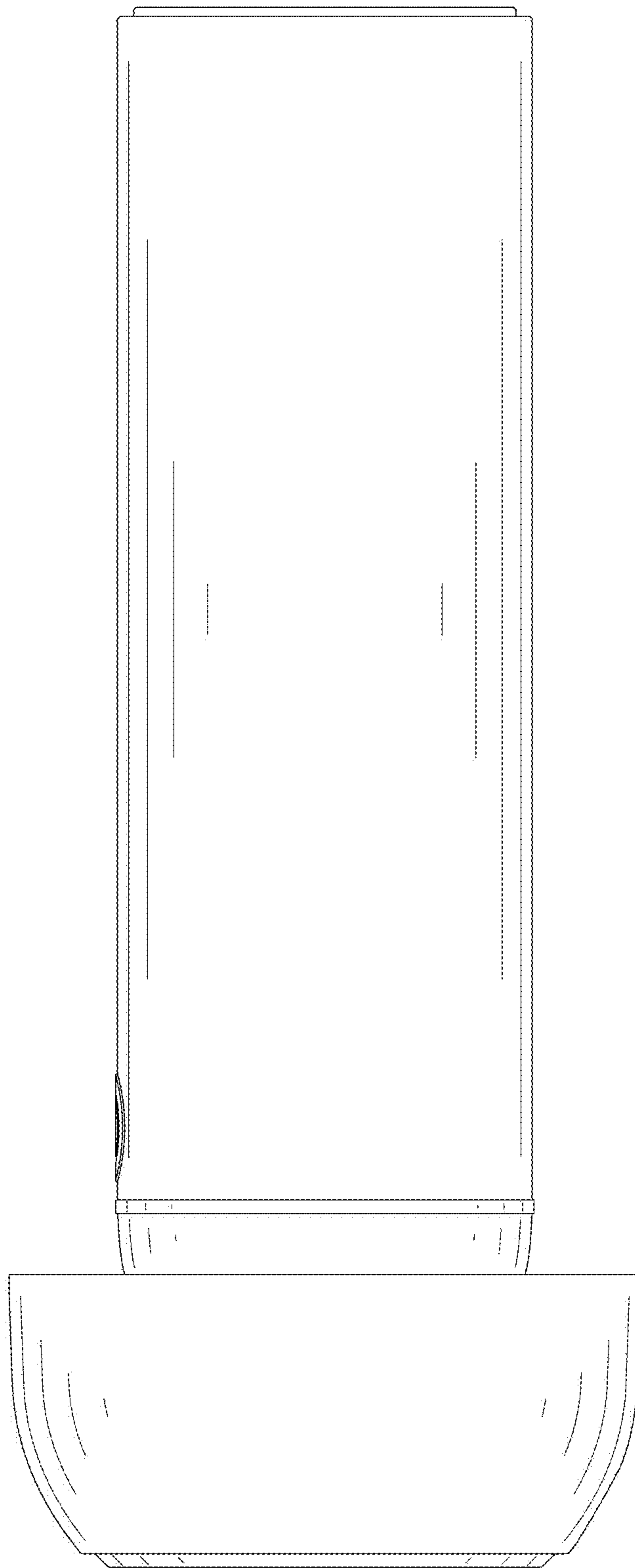


FIG.4

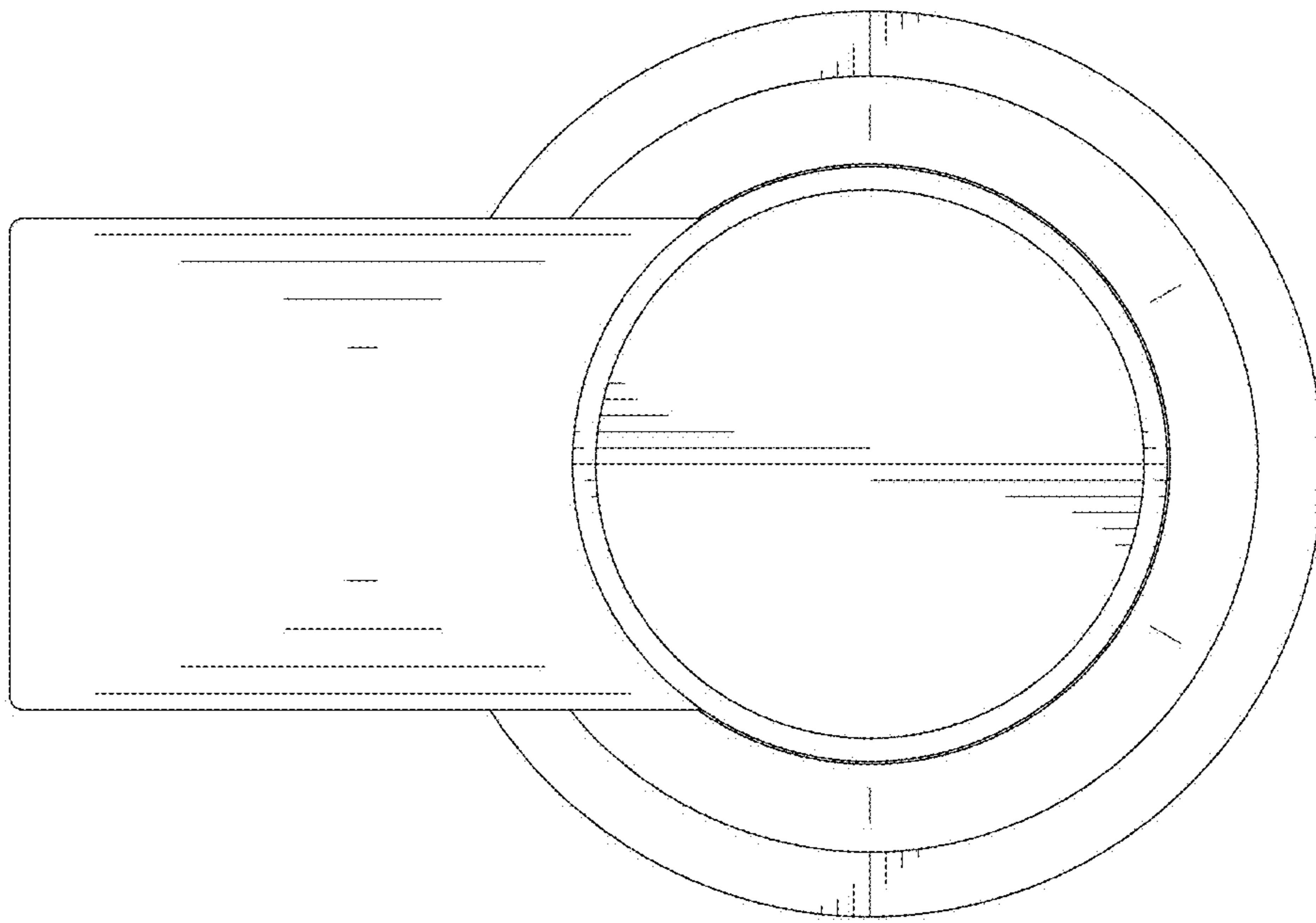


FIG.5

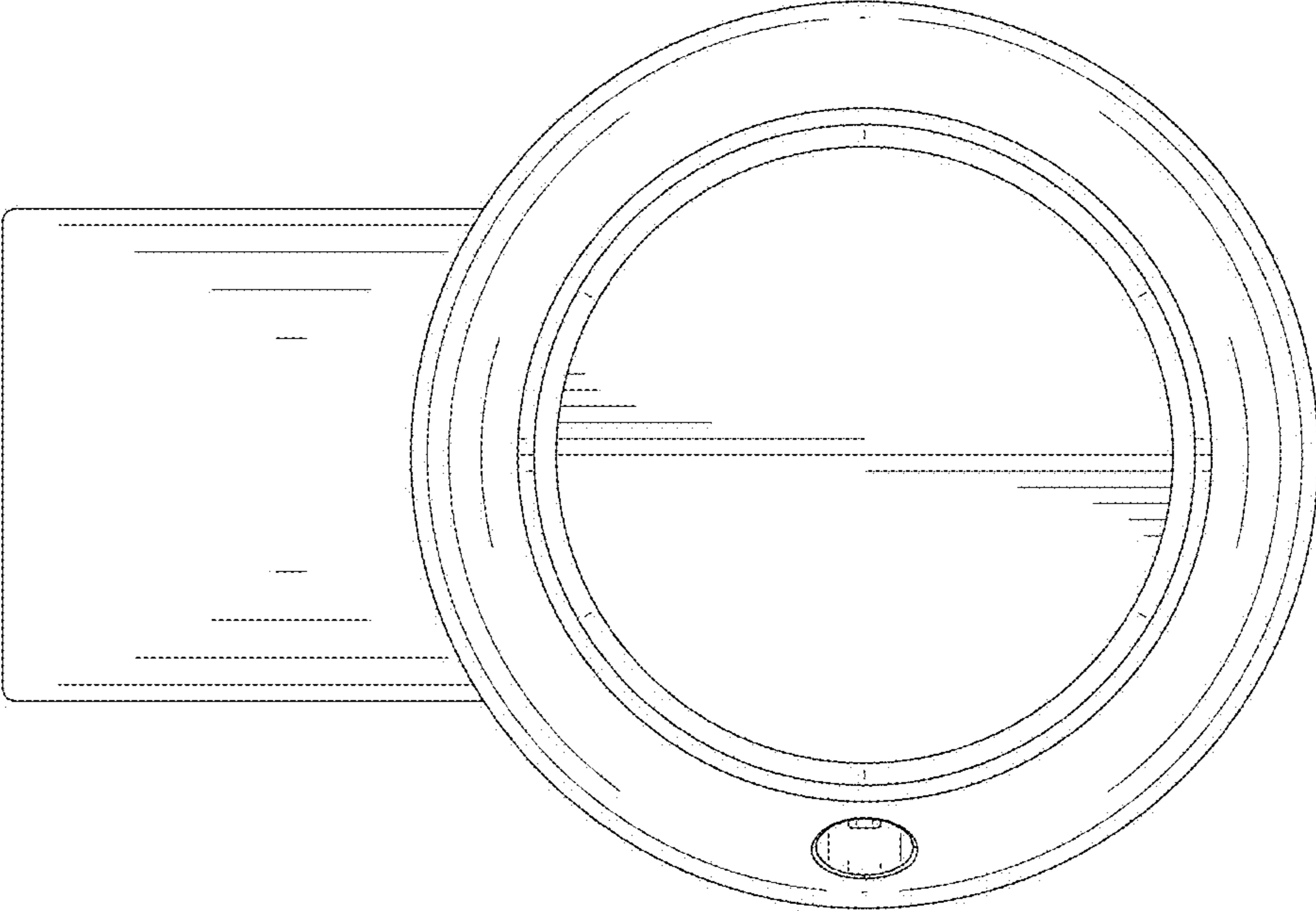


FIG.6

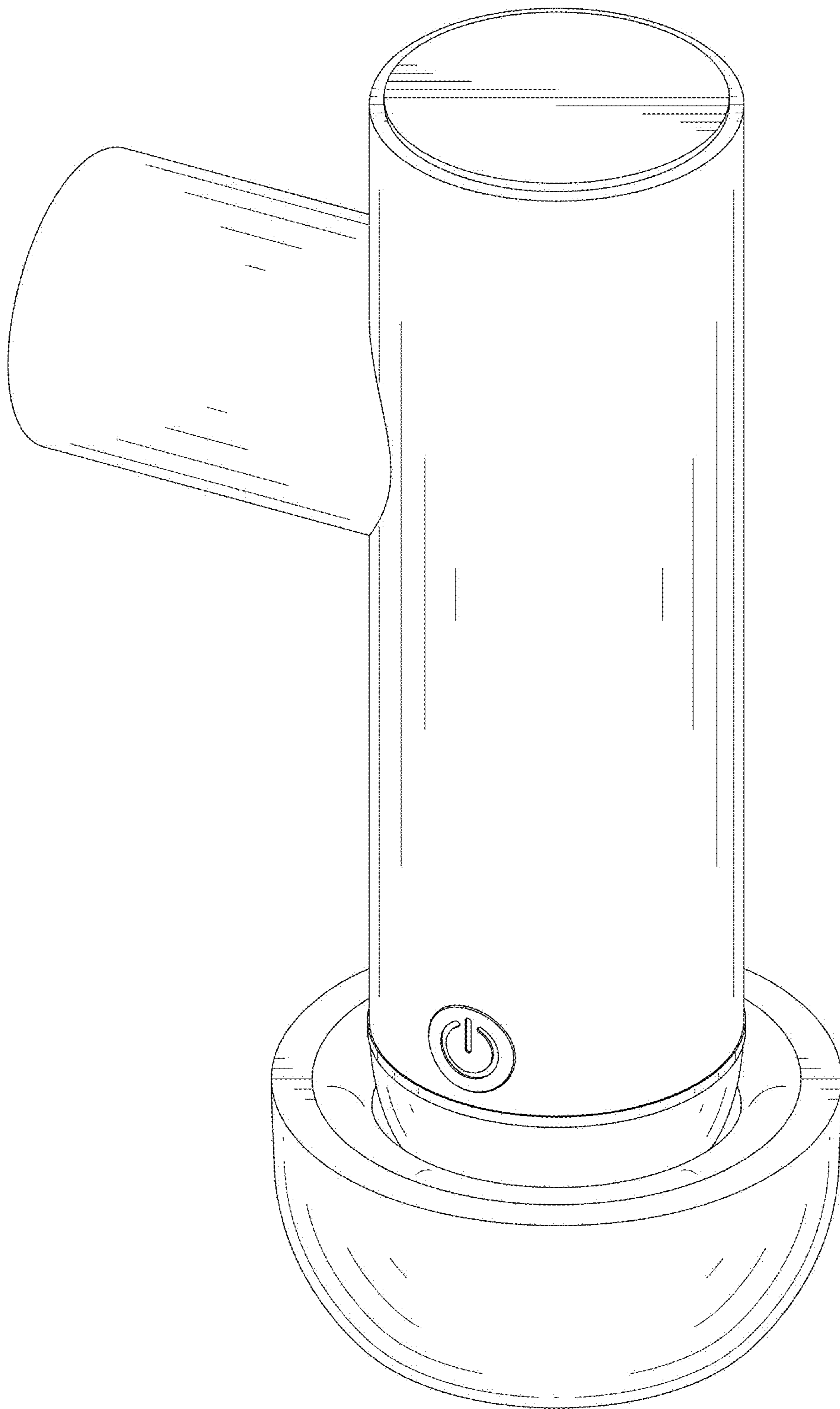


FIG.7

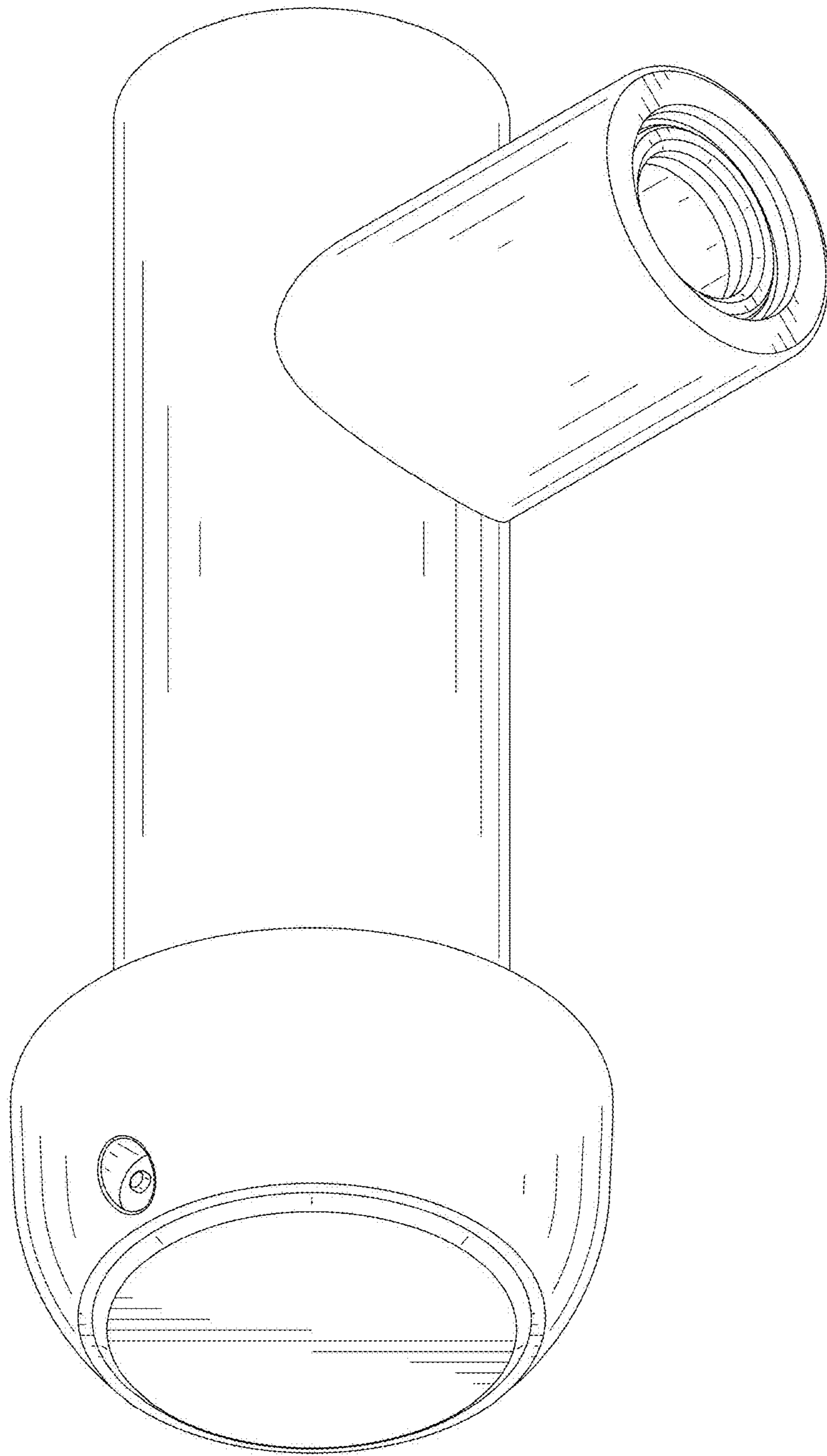


FIG.8