



US00D967971S

(12) **United States Design Patent**  
**Jinfeng**

(10) **Patent No.:** **US D967,971 S**

(45) **Date of Patent:** **\*\* Oct. 25, 2022**

(54) **BODY MASSAGER**

(71) Applicant: **LifePro Fitness LLC**, Staten Island, NY (US)

(72) Inventor: **Kong Jinfeng**, Suzhou (CN)

(73) Assignee: **LIFEPRO FITNESS LLC**, Staten Island, NY (US)

(\*\*) Term: **15 Years**

(21) Appl. No.: **29/741,120**

(22) Filed: **Jul. 9, 2020**

(51) **LOC (13) Cl.** ..... **28-03**

(52) **U.S. Cl.**  
USPC ..... **D24/215**

(58) **Field of Classification Search**  
USPC ..... D24/200, 211, 212, 213, 214, 215;  
D8/14.1; D28/13, 44.1  
CPC ..... A61H 2201/1653; A61H 23/006; A61H  
1/00; A61H 15/02; A61H 1/008  
See application file for complete search history.

(56) **References Cited**

**U.S. PATENT DOCUMENTS**

D872,869 S *	1/2020	Lu	.....	D24/215
D877,351 S *	3/2020	Wersland	.....	D24/215
D879,985 S *	3/2020	Wersland	.....	D24/214
D879,986 S *	3/2020	Wersland	.....	D24/214
D880,714 S *	4/2020	Wersland	.....	D24/215
D880,715 S *	4/2020	Wersland	.....	D24/215
D880,716 S *	4/2020	Wersland	.....	D24/215
D884,915 S *	5/2020	Wersland	.....	D24/215
D885,601 S *	5/2020	Wersland	.....	D24/215
D887,573 S *	6/2020	Wersland	.....	D24/215
10,714,953 B1 *	7/2020	Solana	.....	H02J 7/02
D896,396 S *	9/2020	Wersland	.....	D24/215
D912,268 S *	3/2021	Xiang	.....	D24/215
D921,914 S *	6/2021	Wersland	.....	D24/214

D930,179 S *	9/2021	Zhu	.....	D24/215
2017/0304145 A1 *	10/2017	Pepe	.....	A61H 23/02
2018/0200141 A1 *	7/2018	Wersland	.....	A61H 1/008
2020/0069510 A1 *	3/2020	Wersland	.....	A61H 23/006
2020/0214930 A1 *	7/2020	Wersland	.....	A61H 23/006
2020/0261307 A1 *	8/2020	Wersland	.....	A61H 1/00
2020/0268594 A1 *	8/2020	Pepe	.....	A61H 15/0085

**OTHER PUBLICATIONS**

Amazon, "Massage Gun", Jun. 23, 2020. [https://www.amazon.com/Expansion-Wellness-Personal-Massager-Tissue/dp/B08BQZ75GD/ref=sr\\_1\\_197?crd=14AZ1P3QCUY3&keywords=massage+gun&qid=1643979744&prefix=massage+gun%2Caps%2C74&sr=8-197#customerReviews](https://www.amazon.com/Expansion-Wellness-Personal-Massager-Tissue/dp/B08BQZ75GD/ref=sr_1_197?crd=14AZ1P3QCUY3&keywords=massage+gun&qid=1643979744&prefix=massage+gun%2Caps%2C74&sr=8-197#customerReviews). Shown on p. 1. (Year: 2020).\*

\* cited by examiner

*Primary Examiner* — Michael A Maharajh  
(74) *Attorney, Agent, or Firm* — Ostrolenk Faber LLP

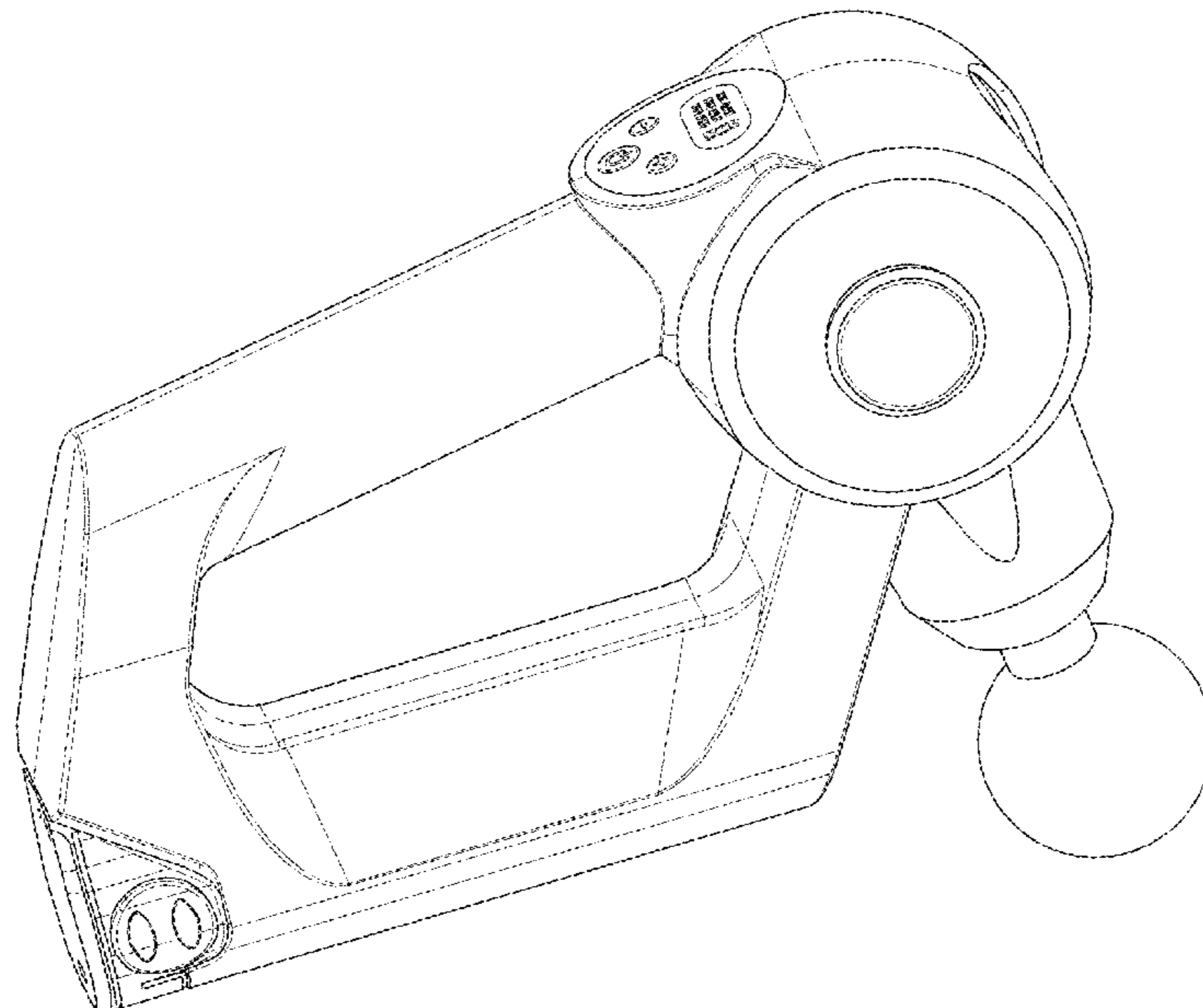
(57) **CLAIM**

The ornamental design for a body massager, as shown and described.

**DESCRIPTION**

FIG. 1 is a first perspective view of a body massager showing my new design;  
FIG. 2 is a second perspective view thereof;  
FIG. 3 is a right side elevational view thereof;  
FIG. 4 is a left side elevational view thereof;  
FIG. 5 is a top plan view thereof;  
FIG. 6 is a bottom plan view thereof;  
FIG. 7 is a front elevational view thereof; and,  
FIG. 8 is a rear elevational view thereof.  
The broken lines shown in the figures are for the purpose of illustrating portions of the body massager, which form no part of the claimed design.

**1 Claim, 8 Drawing Sheets**



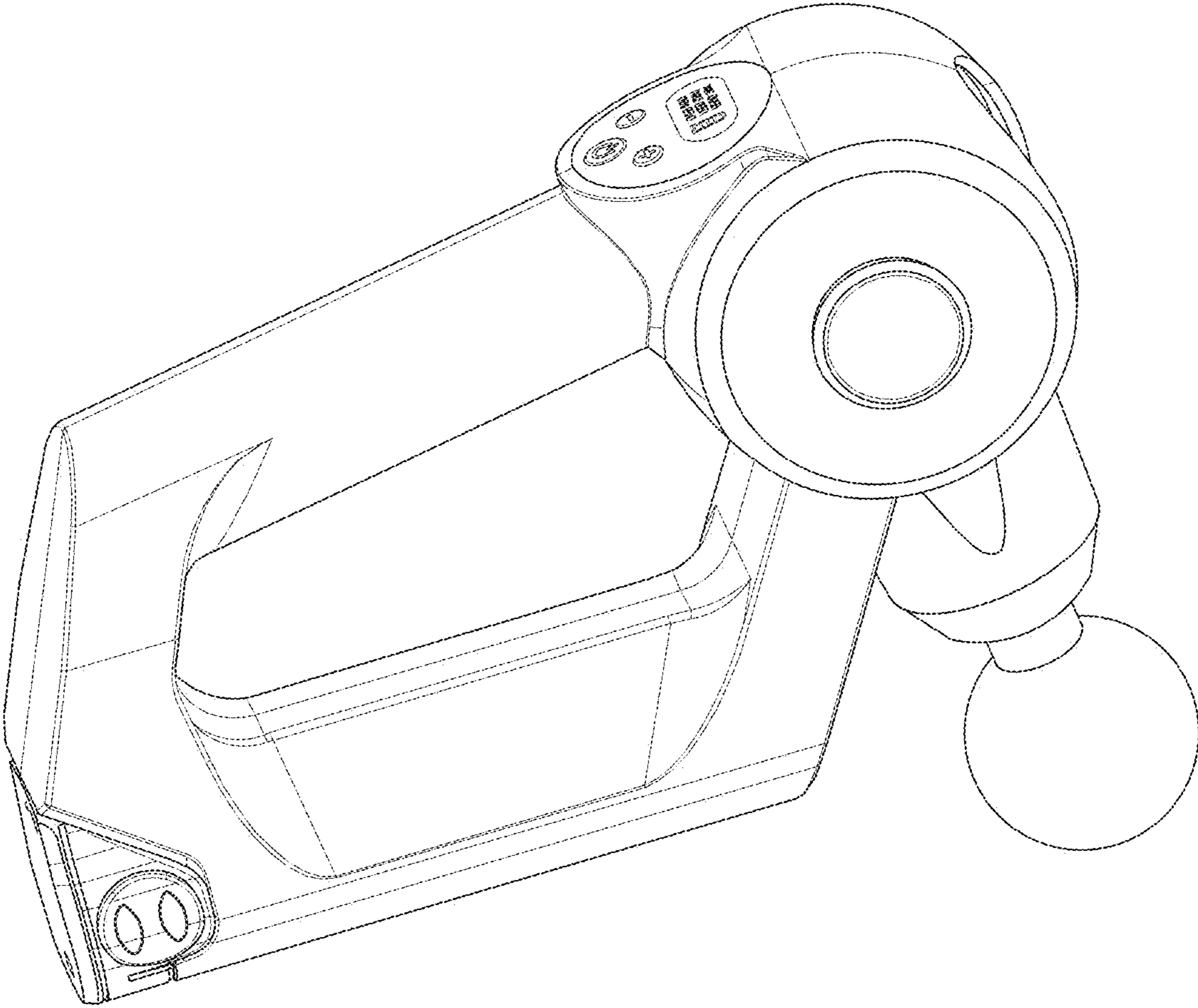


FIG. 1

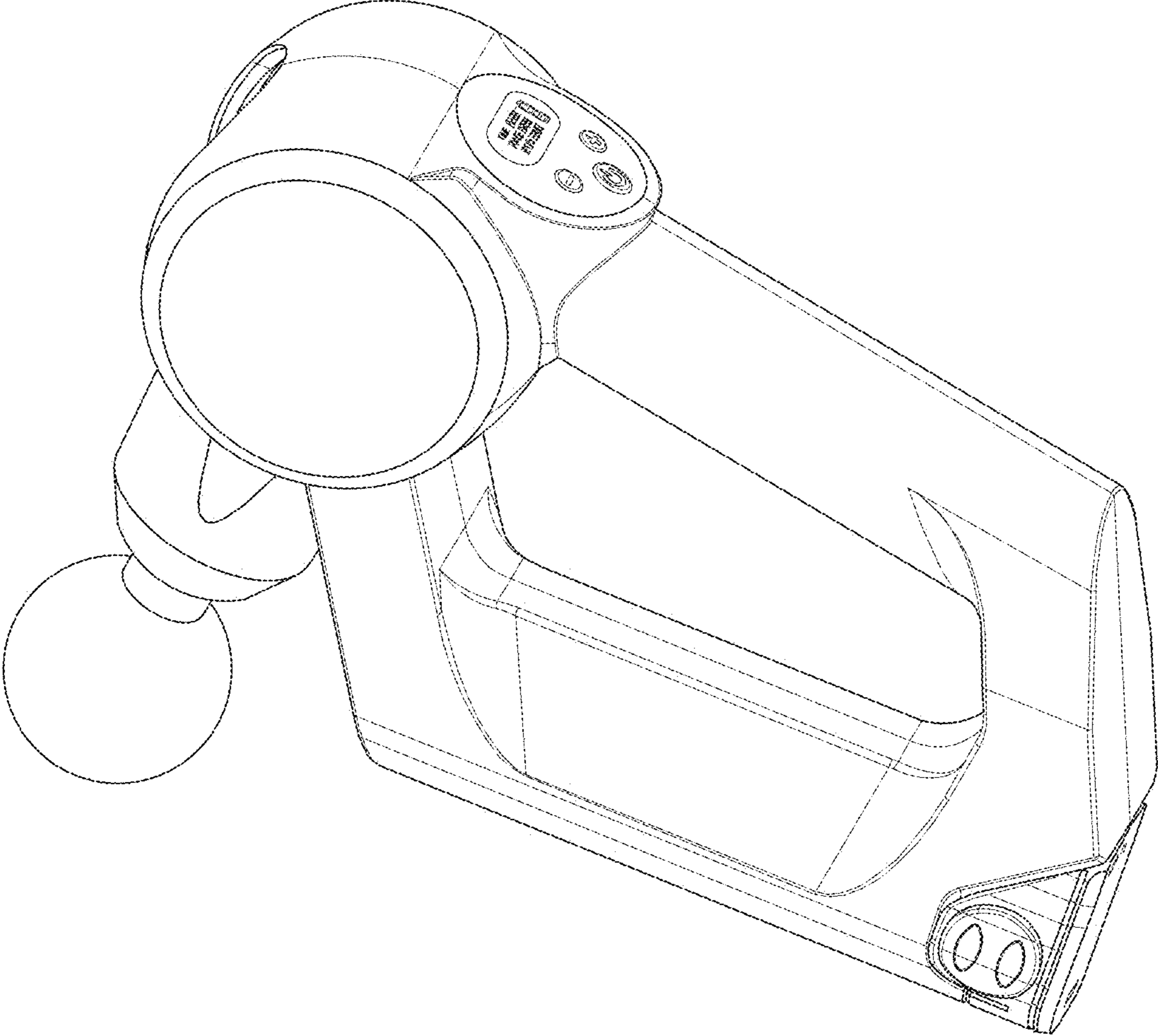


FIG. 2

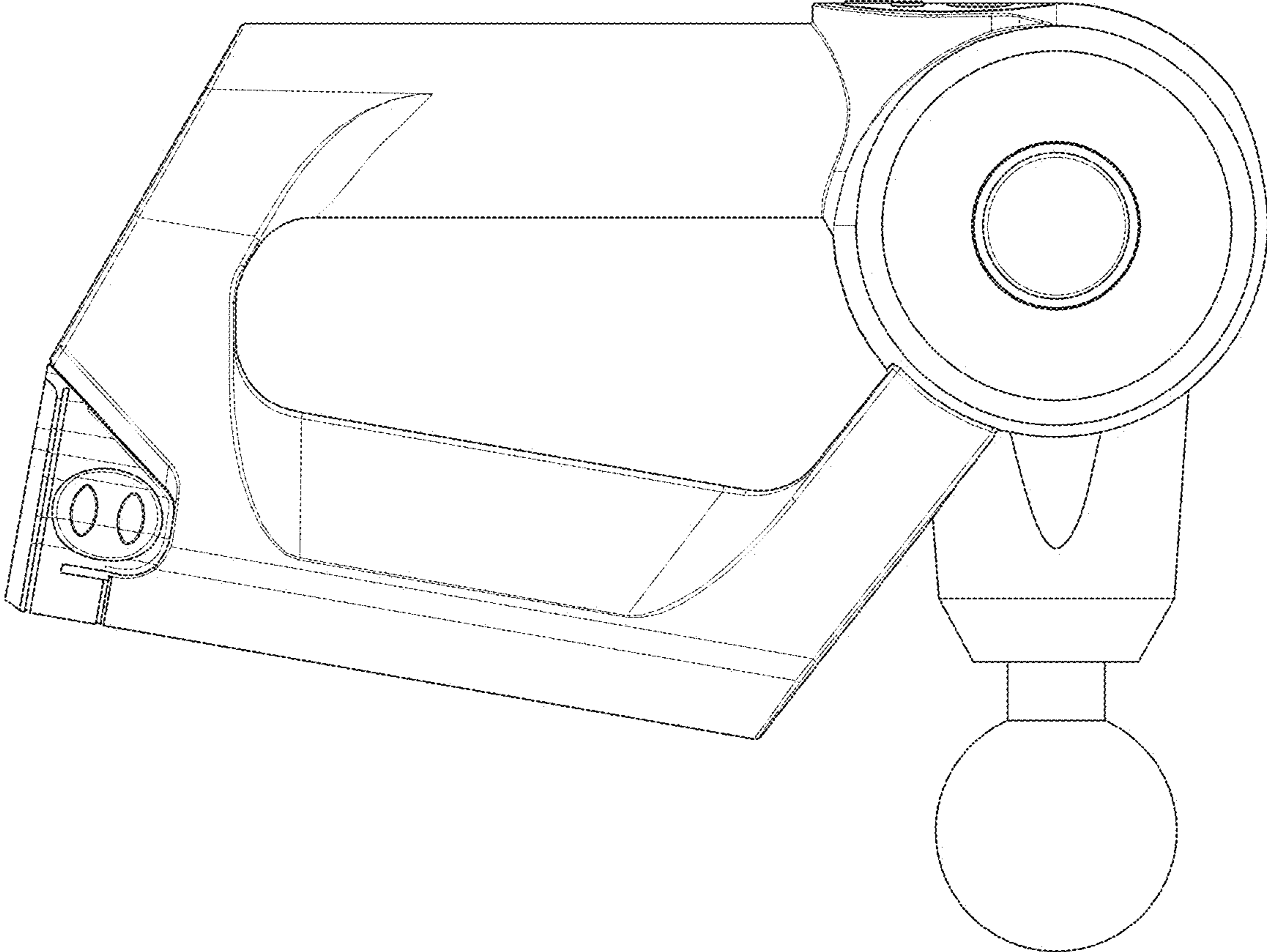


FIG. 3

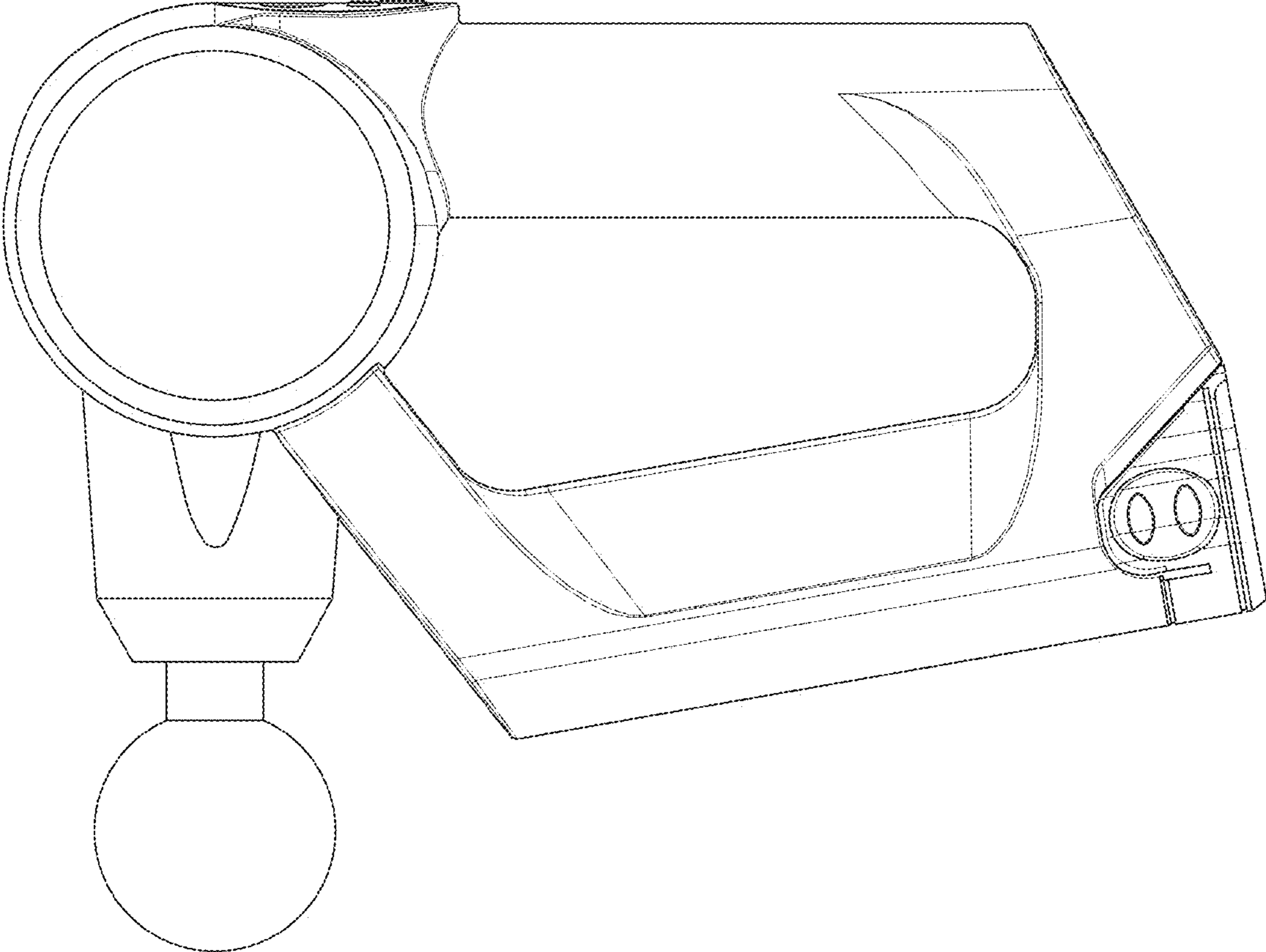


FIG. 4

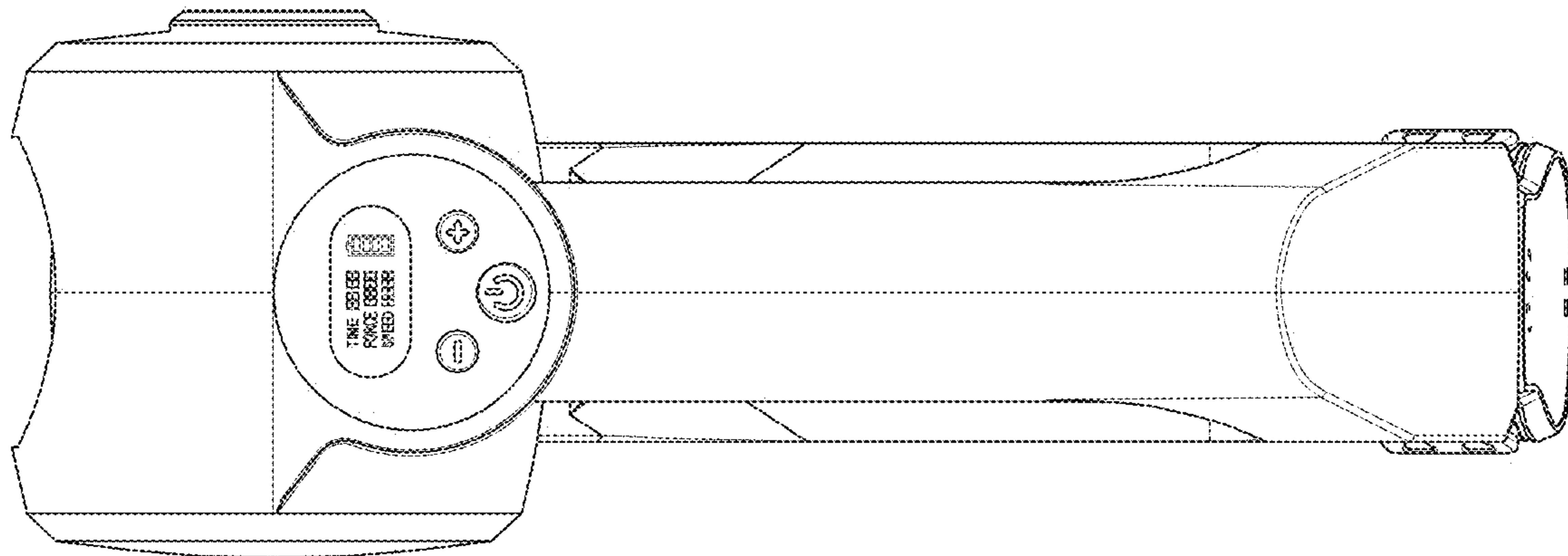


FIG. 5

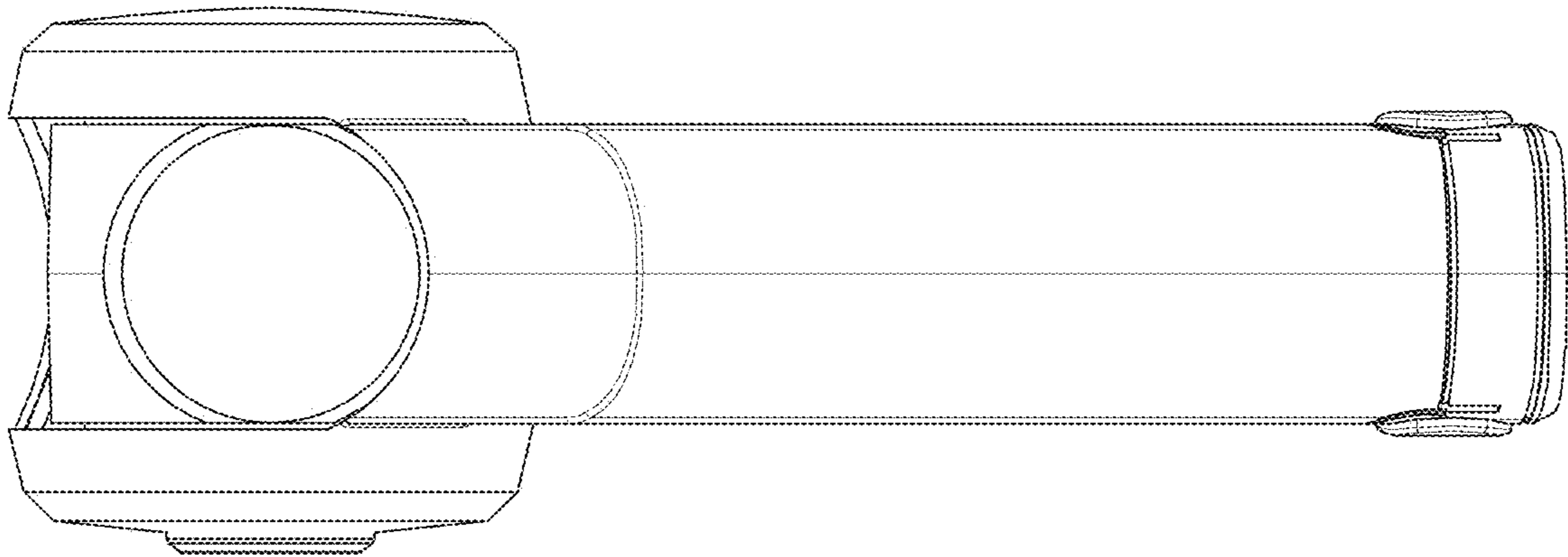


FIG. 6

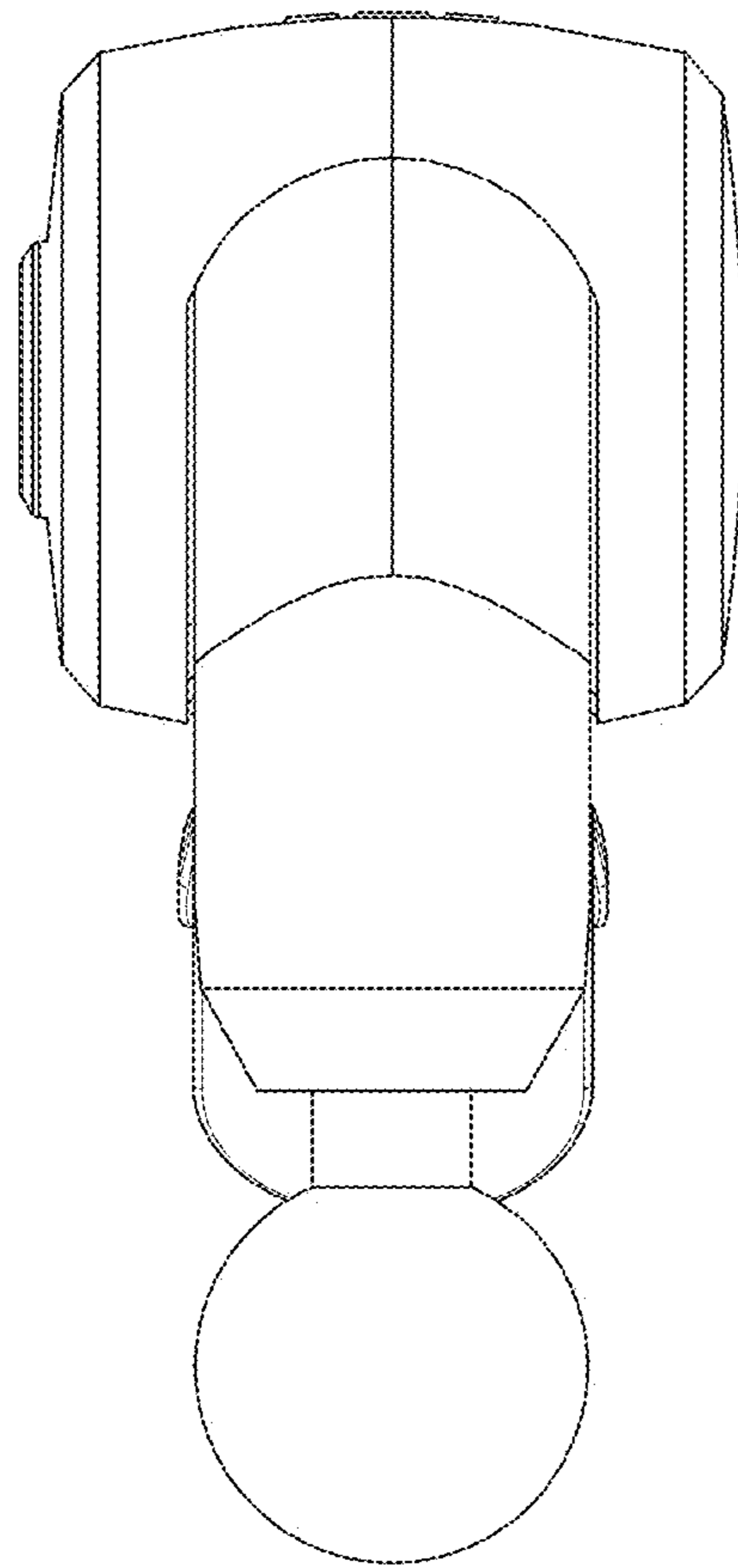


FIG. 7



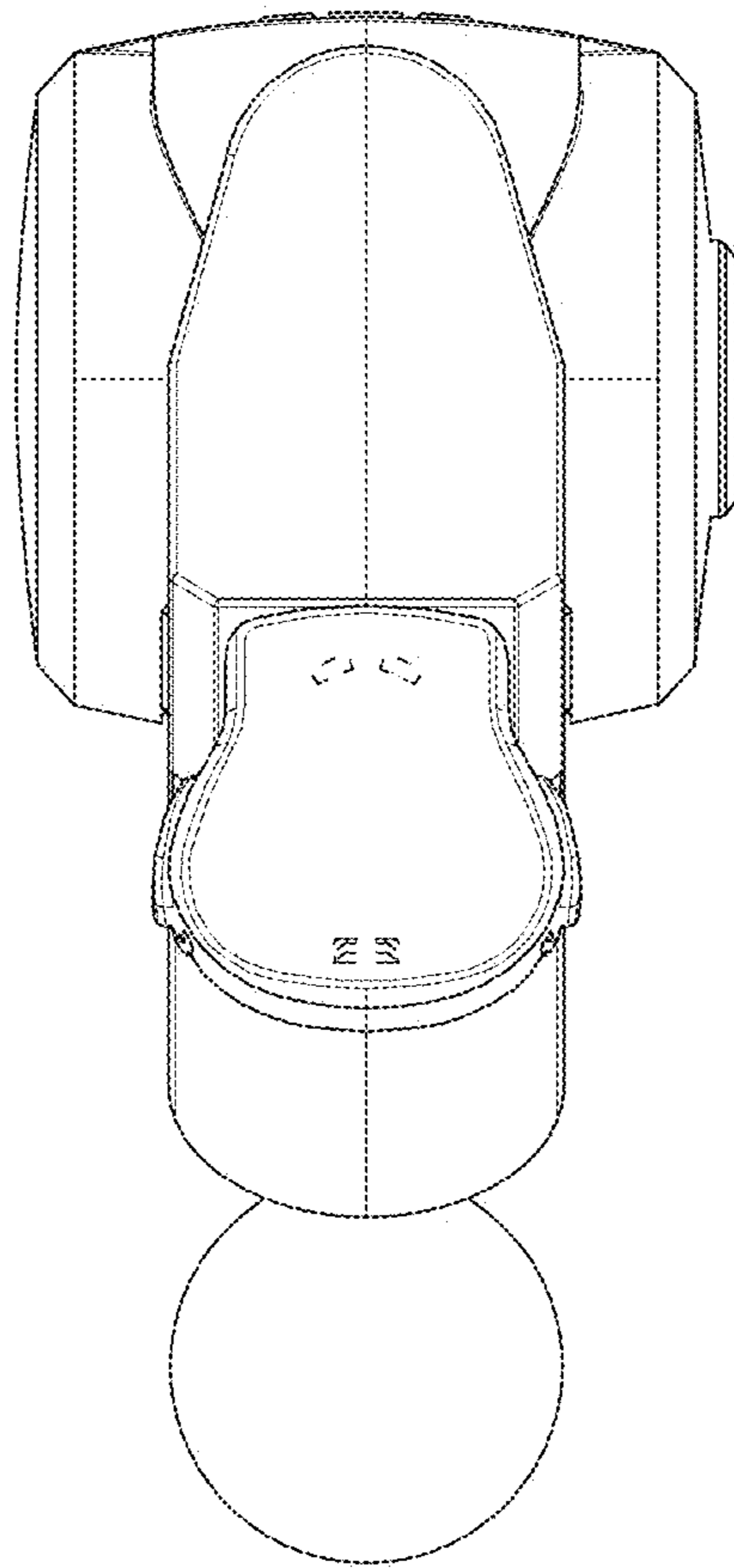


FIG. 8