



US00D967969S

(12) **United States Design Patent**
Jin

(10) **Patent No.:** **US D967,969 S**
(45) **Date of Patent:** **** Oct. 25, 2022**

(54) **NONINVASIVE BEAUTY MACHINE**

(71) Applicant: **Shenzhen DJ Innovation Industry Co., Ltd**, Shenzhen (CN)

(72) Inventor: **Bo Jin**, Shenzhen (CN)

(**) Term: **15 Years**

(21) Appl. No.: **29/769,752**

(22) Filed: **Feb. 8, 2021**

(30) **Foreign Application Priority Data**

Dec. 29, 2020 (CN) 202030814149.X

(51) **LOC (13) Cl.** **24-01**

(52) **U.S. Cl.**
USPC **D24/200**

(58) **Field of Classification Search**
USPC D24/185-190, 200, 127, 130, 133,
D24/145-147, 155-156, 158, 183,
D24/206-208, 214-215, 231, 234;
D8/391, 387; D23/303, 318, 322;
D13/168; D14/218

CPC .. A61M 25/065; A61M 5/42; A61M 25/0612;
A61M 25/00; A61M 39/00; A61M 27/00;
A61M 25/0043; A61M 25/0067; A61M
25/0097; A61F 2/958; A61F 13/02; A61F
2013/00885; A61F 7/02; A61F 7/034;
A61F 7/00; A61F 2007/0094; A61F
2007/0087; A61F 2007/0089; A61N
1/36021; A61N 1/36; A61N 1/403; A61H
2201/02; A61H 2201/0207; A61H
2201/0221; A61H 15/0092; A61G
2201/02147

See application file for complete search history.

(56) **References Cited**

U.S. PATENT DOCUMENTS

D503,979 S * 4/2005 Khalaj D24/146
D554,263 S * 10/2007 Al-Ali D24/186

D590,064 S * 4/2009 Janisch D24/206
D635,681 S * 4/2011 Edwards D24/186
D639,945 S * 6/2011 Goerge D24/146
D806,887 S * 1/2018 Yang D24/206
D888,789 S * 6/2020 Gou D15/144.2
D903,132 S * 11/2020 Shavit D24/200
D903,133 S * 11/2020 Shavit D24/200

(Continued)

OTHER PUBLICATIONS

Nano Rf EMS Microcrystalline Needlefree Water Light Instrument, aliexpress.com, [online], [site visited 024/28/2022], Available from internet URL: <https://www.aliexpress.com/item/10000128275189.html> (Year: 2022).*

(Continued)

Primary Examiner — Samantha Q Lawrence
Assistant Examiner — Holly M Rodriguez

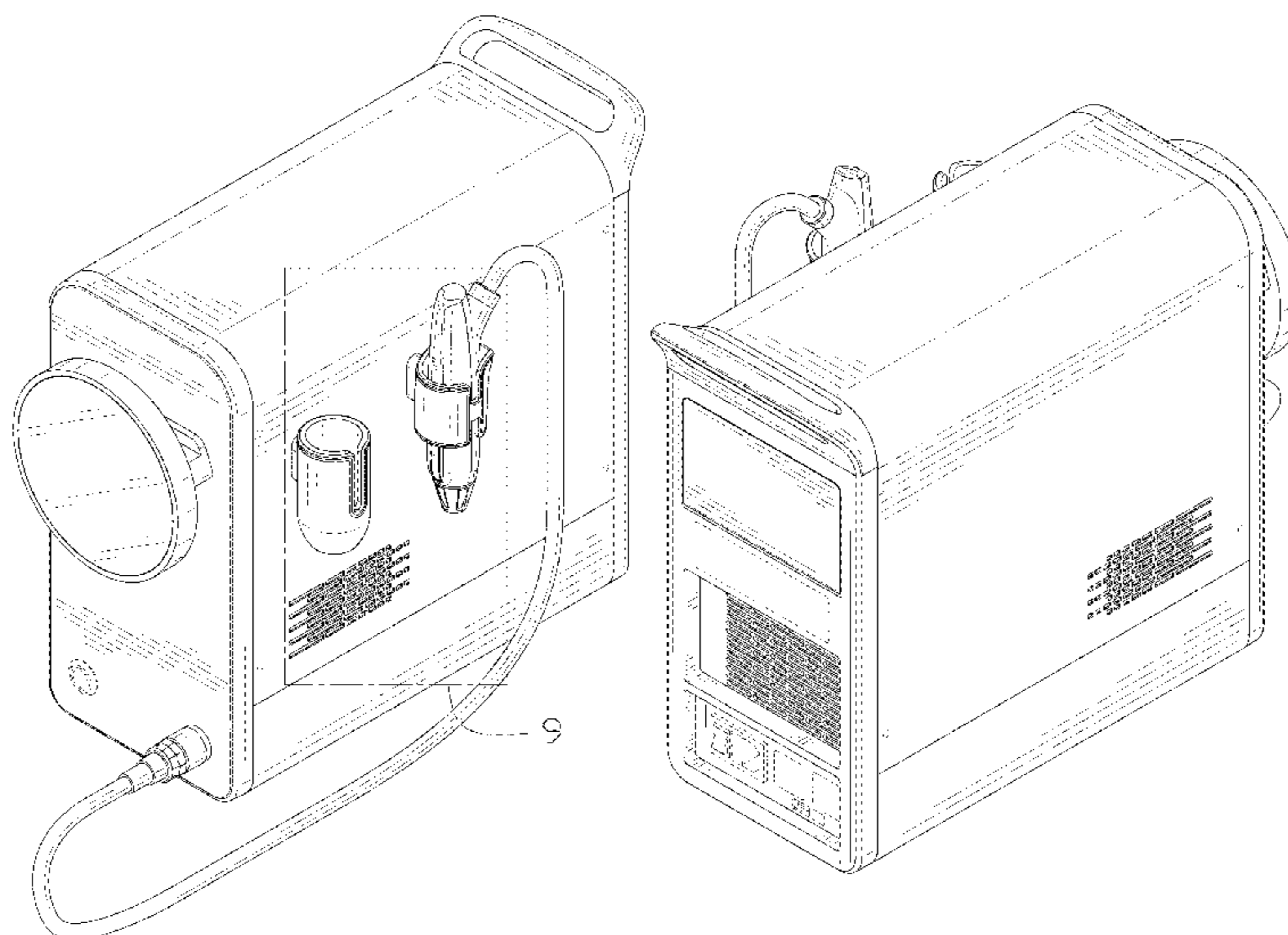
(57) **CLAIM**

The ornamental design for a noninvasive beauty machine, as shown and described.

DESCRIPTION

FIG. 1 is a first perspective view of a noninvasive beauty machine showing my new design;
FIG. 2 is a second perspective view thereof;
FIG. 3 is a front view thereof;
FIG. 4 is a back view thereof;
FIG. 5 is a left side view thereof;
FIG. 6 is a right side view thereof;
FIG. 7 is a top view thereof;
FIG. 8 is a bottom view thereof; and,
FIG. 9 is an enlarged view of the selected portion in FIG. 1. The broken lines shown in the drawings depict portions of the noninvasive beauty machine in which the design is embodied that form no part of the claimed design.

1 Claim, 9 Drawing Sheets



(56)

References Cited

U.S. PATENT DOCUMENTS

D909,605 S * 2/2021 Mathers D24/232
D935,027 S * 11/2021 Larrow D24/167
D945,616 S * 3/2022 Yang D24/146

OTHER PUBLICATIONS

3 in 1 RF EMS Needle Free Mesotherapy Faical Machine, facemachine.com, [online], [site visited Apr. 28, 2022], Available from internet URL: <https://www.facemachine.com/product/3-in-1-rf-ems-needle-free-mesotherapy-faical-machine/> (Year: 2022).*

Body Massage Machine Beauty Machine, first available Sep. 30, 2021, amazon.com, [online], [site visited Apr. 28, 2022], Available from internet URL: https://www.amazon.com/Massage-Multifunction-Massager-Anti-Wrinkle-Equipment/dp/B097NG3ZMV/ref=sr_1_5?crid=1CJYQ4614NW79&keywords=%E2%80%A6 (Year: 2021).*

Cryotherapy machine with frozen RF handle body slimming face lifting skin rejuvenation equipment, dhgate.com, [online], [site visited Apr. 17, 2022], Available from internet URL: <https://www.dhgate.com/product/cryotherapy-machine-with-frozen-rf-handle/634791721.html> (Year: 2022).*

Kendal Professional Diamond Microdermabrasion Machine, first available Jan. 17, 2021, amazon.com, [online], [site visited Apr. 22, 2022], Available from internet URL: https://www.amazon.com/Kendal-Professional-Diamond-Microdermabrasion-HB-SFD02/dp/B08P1HZ3CR/ref=psdc_11060451_t1_B07H28D7J5 (Year: 2021).*

* cited by examiner

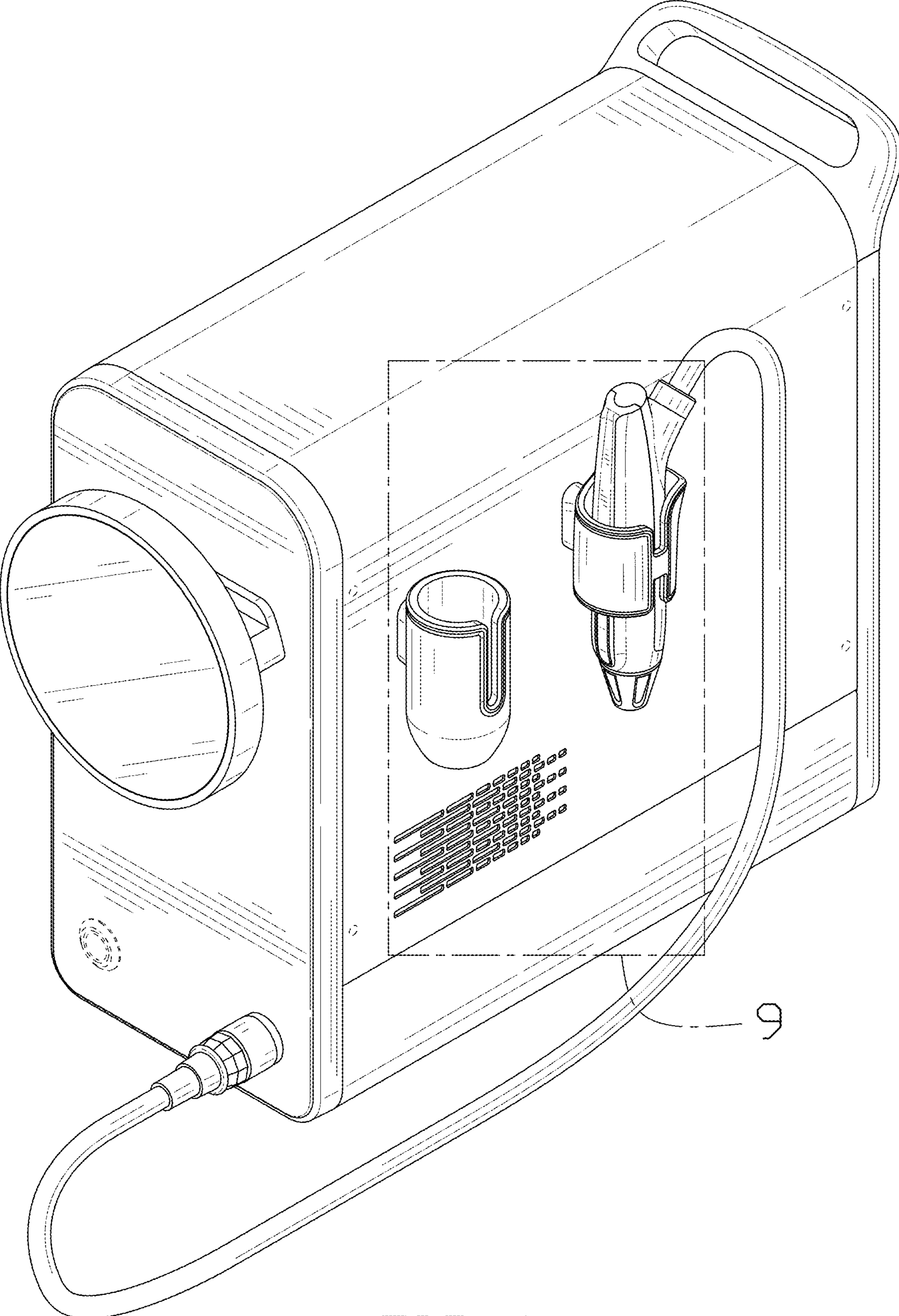


FIG. 1

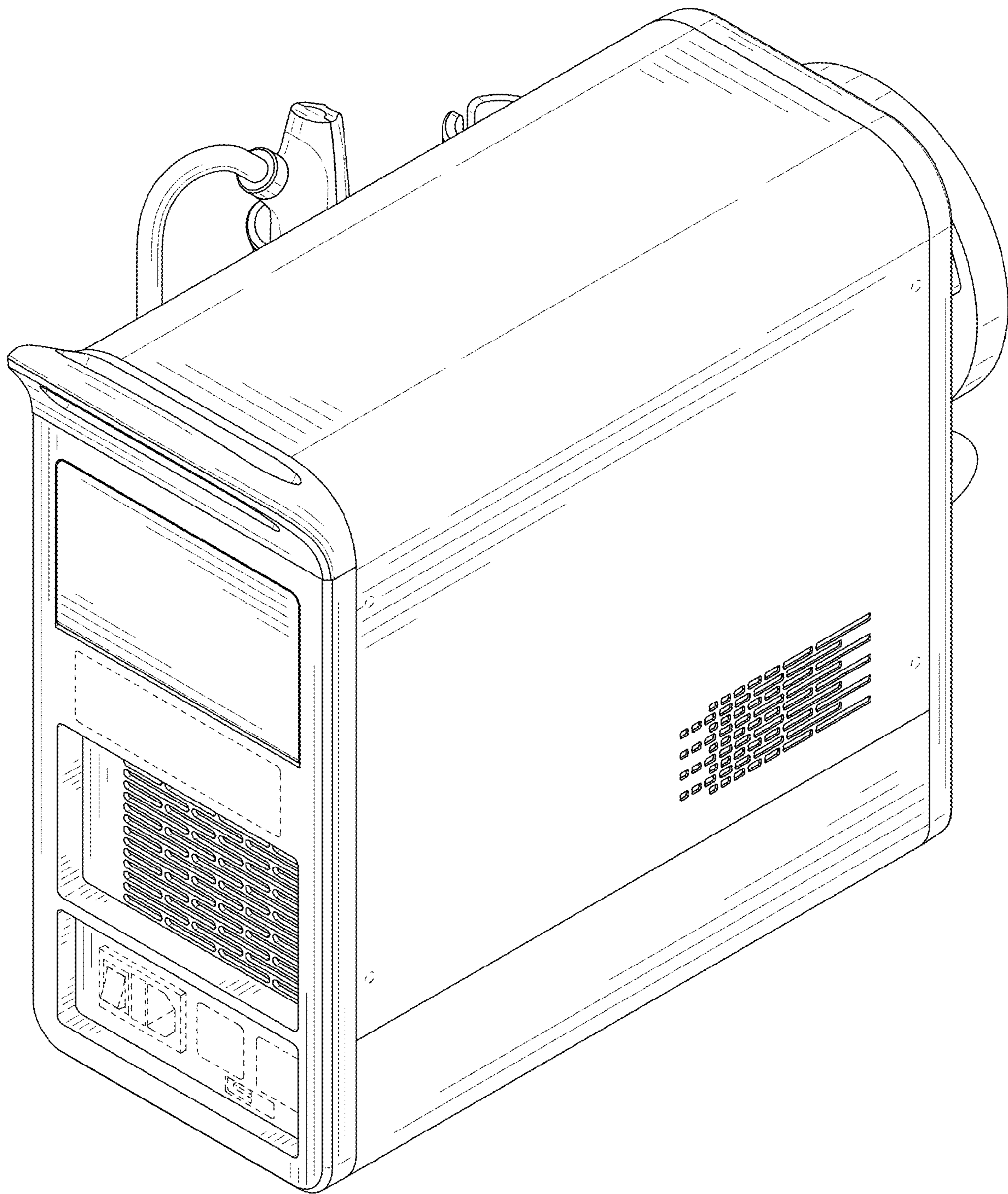


FIG. 2

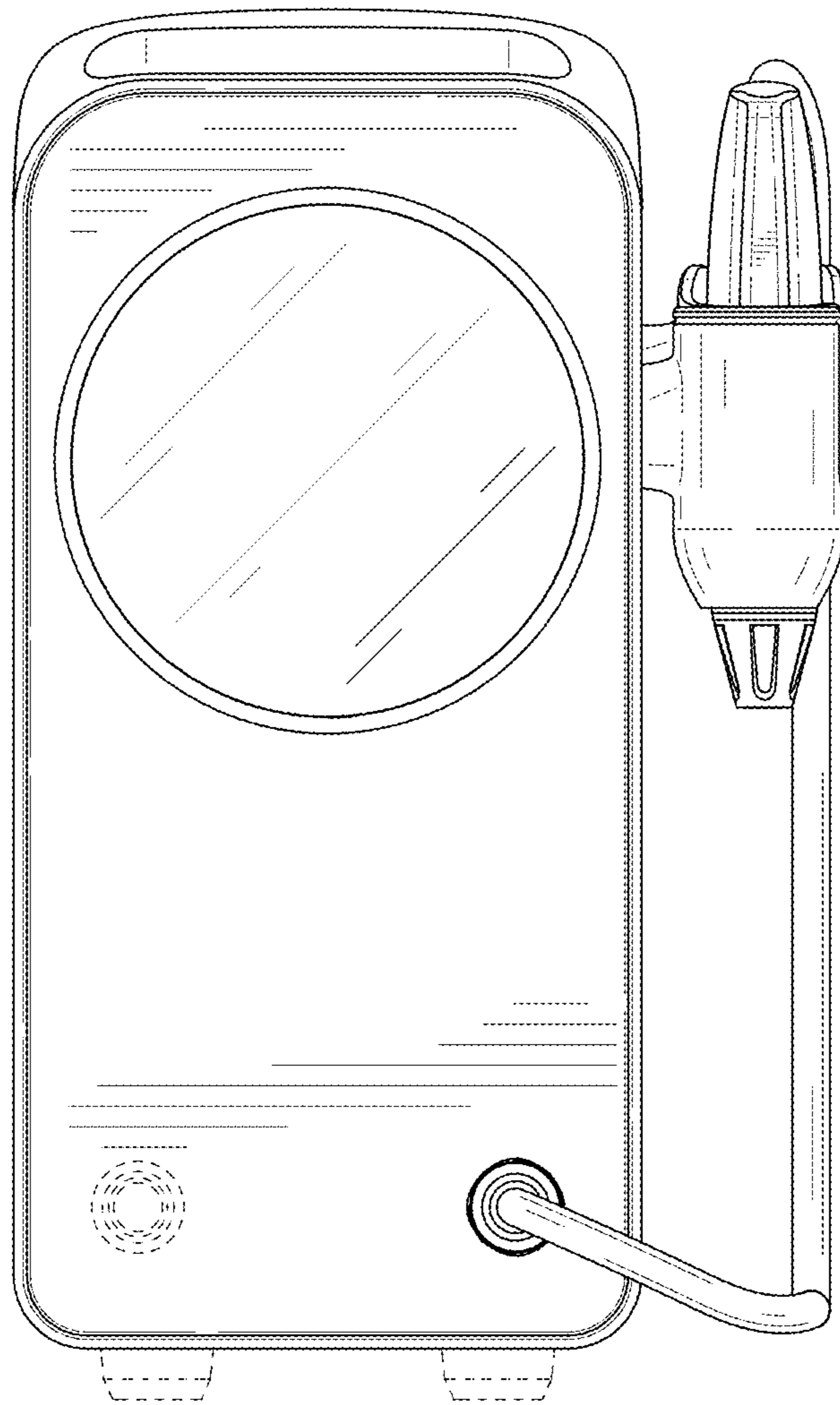


FIG. 3

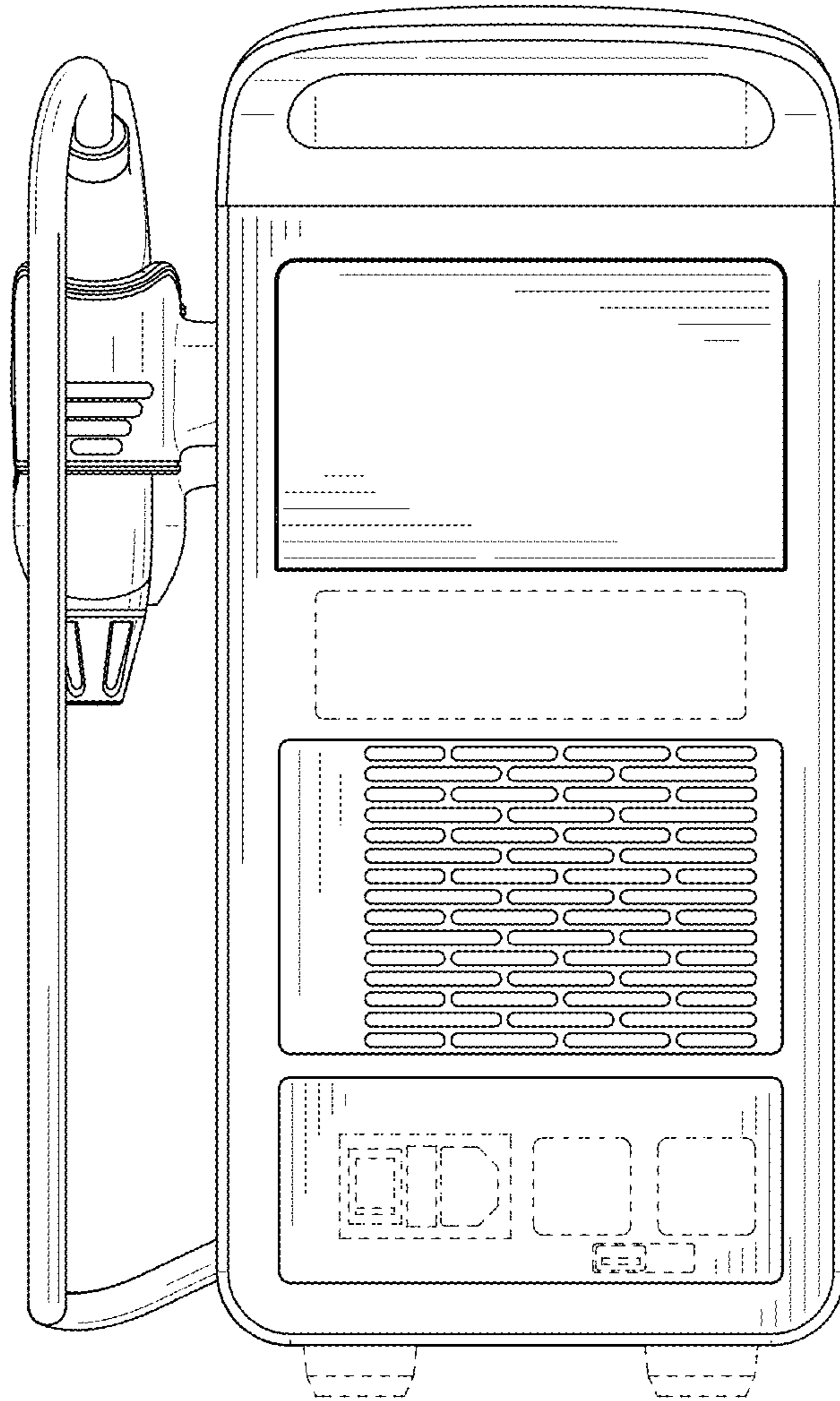


FIG. 4

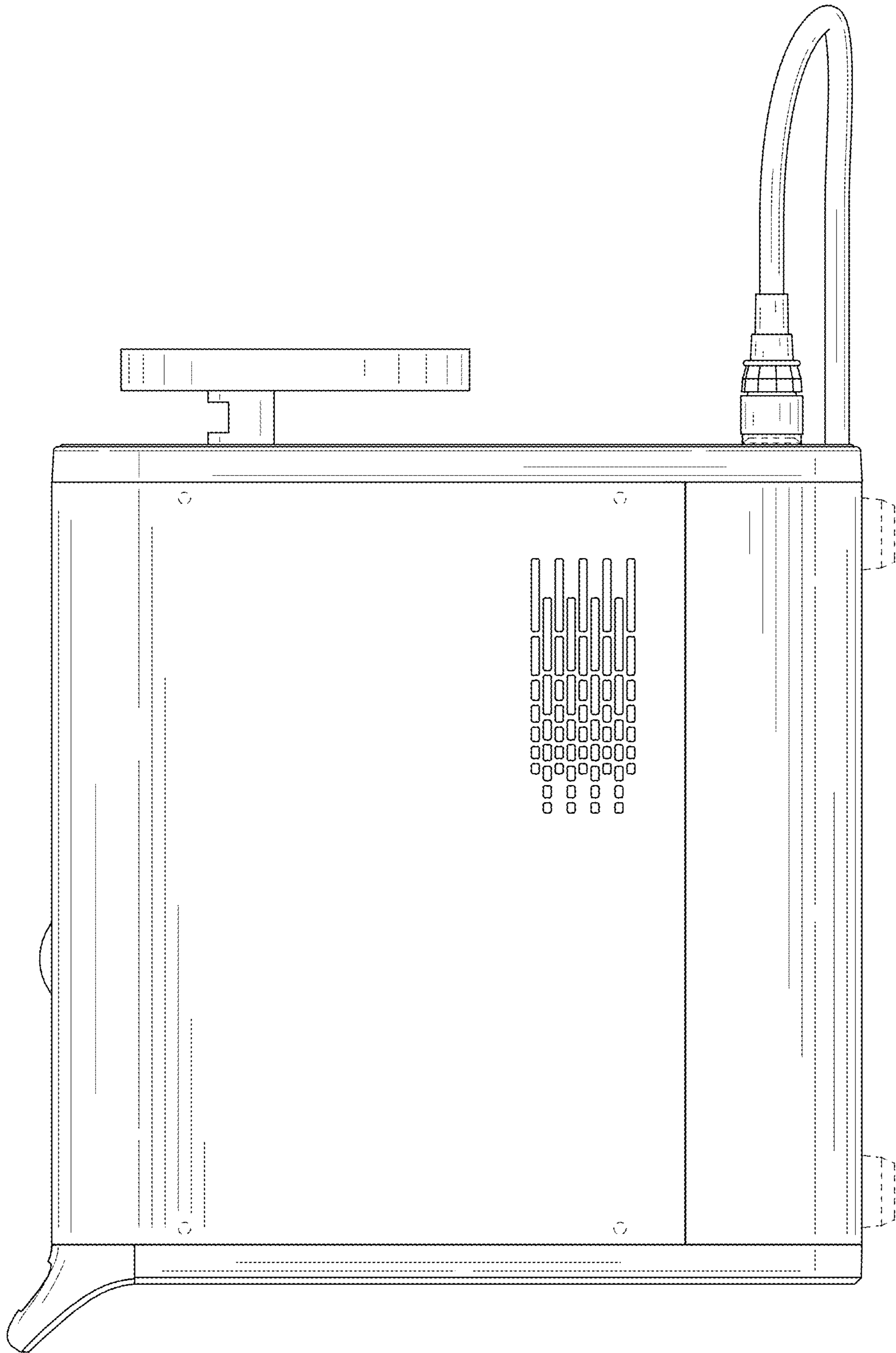


FIG. 5

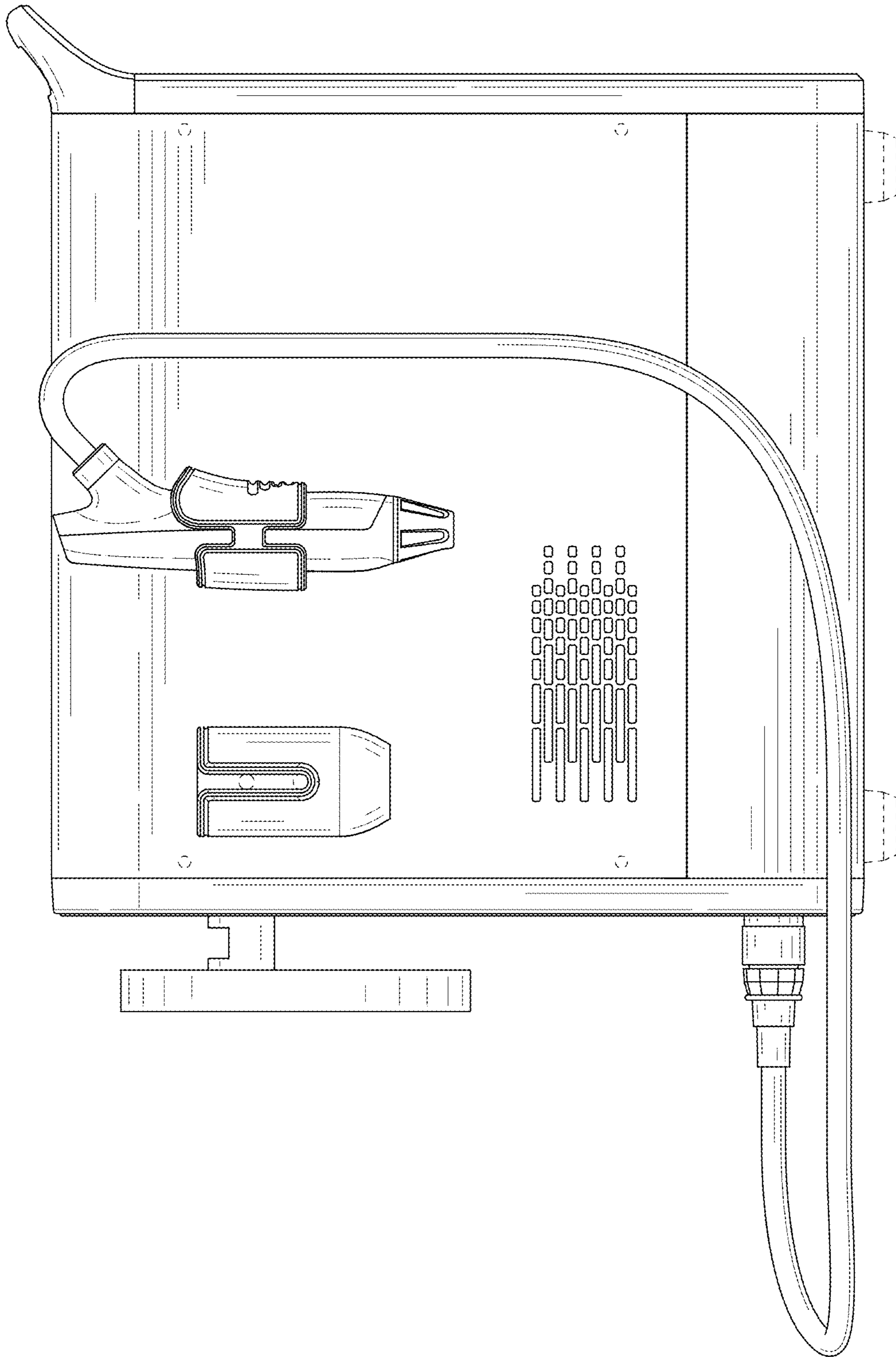


FIG. 6

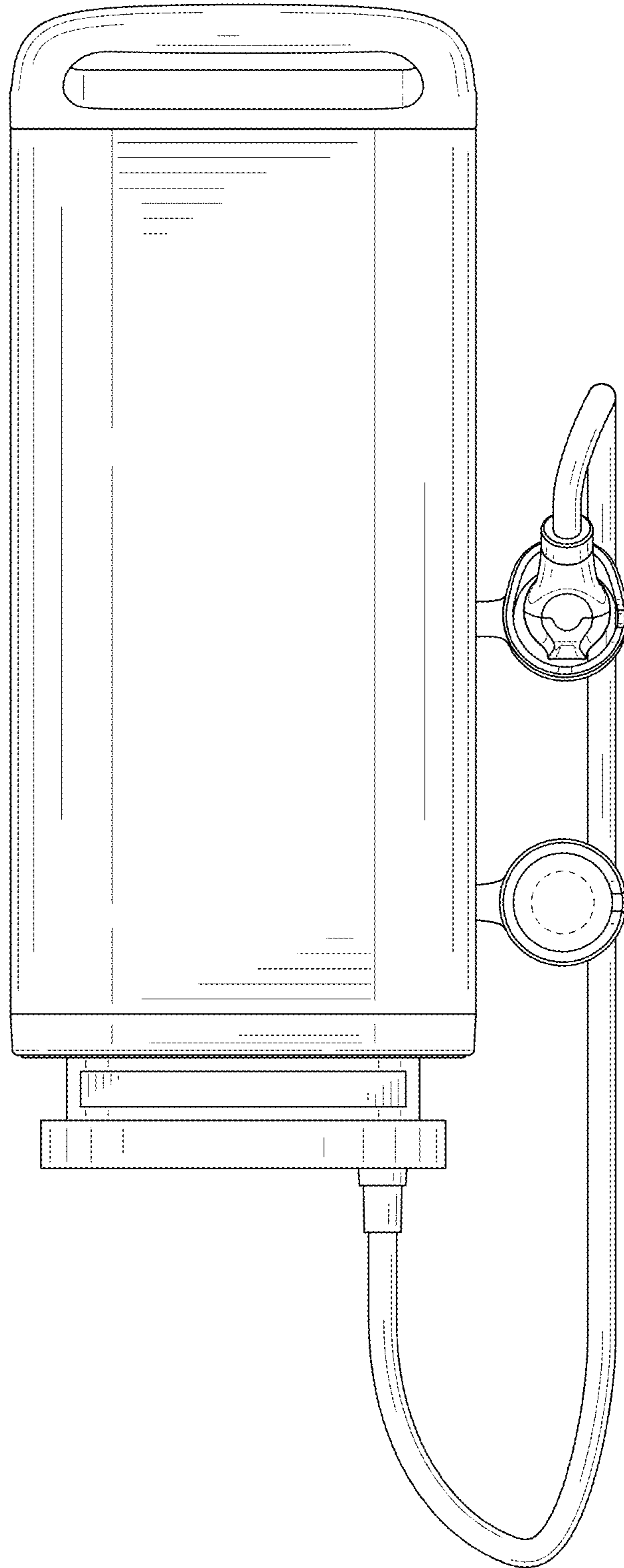


FIG. 7

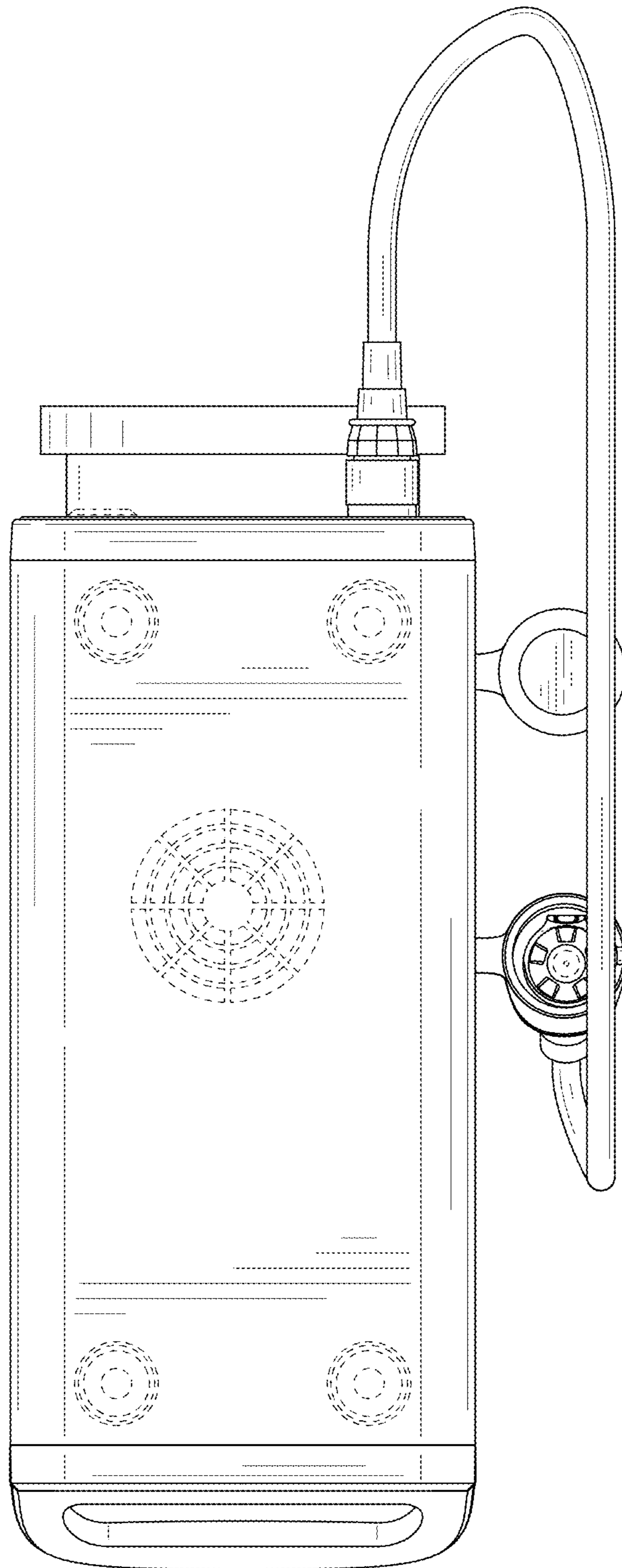


FIG. 8

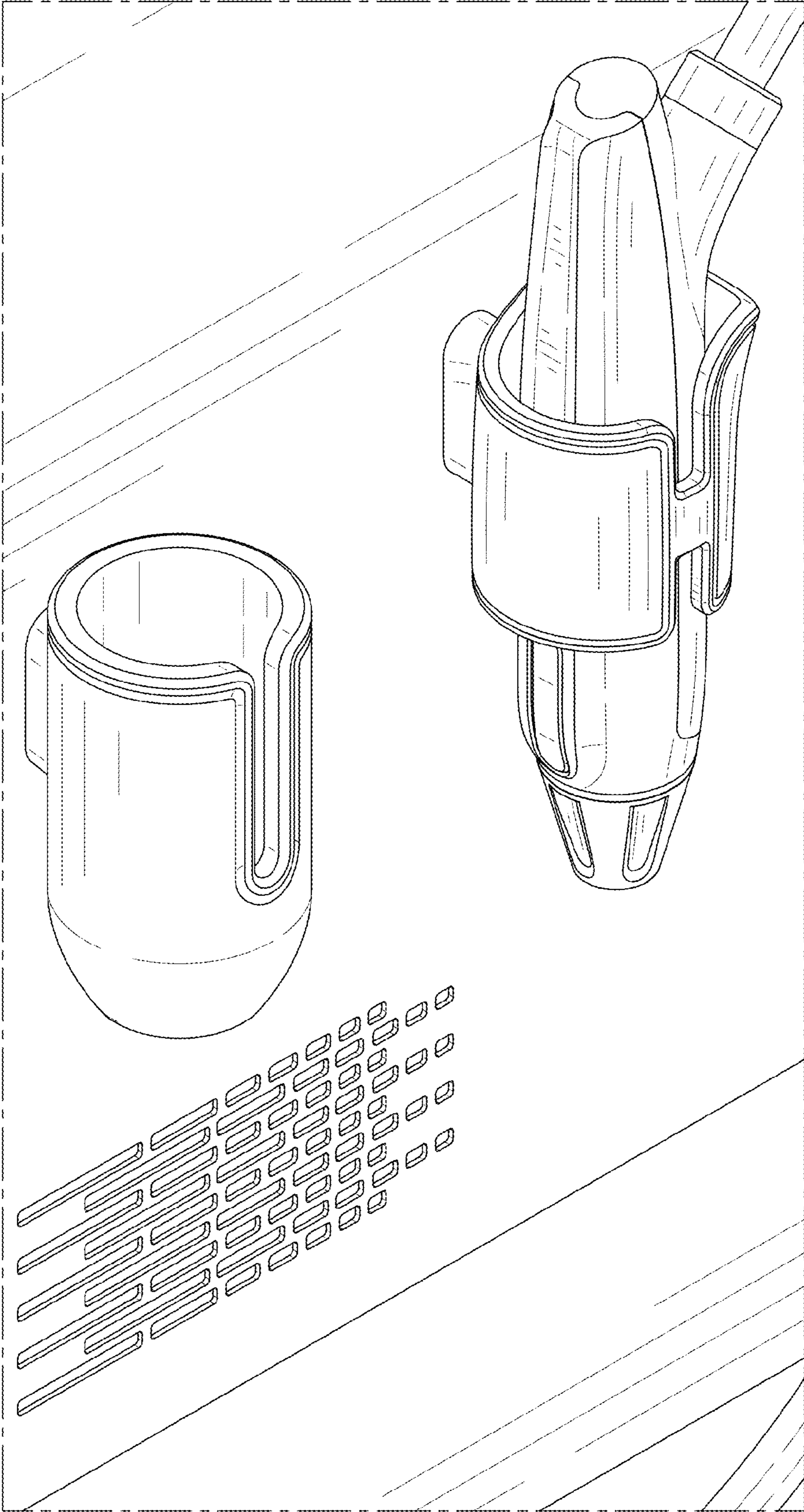


FIG. 9