



US00D967968S

(12) **United States Design Patent** (10) **Patent No.:** **US D967,968 S**  
**Fried** (45) **Date of Patent:** **\*\* Oct. 25, 2022**

(54) **BACK SPLINT**

(71) Applicant: **Scott Fried**, Gwynedd Valley, PA (US)

(72) Inventor: **Scott Fried**, Gwynedd Valley, PA (US)

(\*\*) Term: **15 Years**

(21) Appl. No.: **29/743,189**

(22) Filed: **Jul. 20, 2020**

(51) **LOC (13) Cl.** ..... **24-02**

(52) **U.S. Cl.**  
USPC ..... **D24/190**

(58) **Field of Classification Search**  
USPC ..... D24/188-191; D29/100, 101.1, 101.2,  
D29/101.3

CPC .. A61F 5/026; A61F 5/028; A61F 5/02; A61F  
5/0193

See application file for complete search history.

(56) **References Cited**

**U.S. PATENT DOCUMENTS**

D699,364 S *	2/2014	Chiang	.....	D24/190
D757,365 S *	5/2016	Allan	.....	D29/101.1
D765,916 S *	9/2016	Allan	.....	D29/101.1
9,504,596 B1 *	11/2016	Kozersky	.....	A61F 5/026
D776,287 S *	1/2017	Leonard	.....	D29/101.1
D816,234 S *	4/2018	Calvello	.....	D24/190
D818,132 S *	5/2018	Hille	.....	D24/190
D831,276 S *	10/2018	Pennington, Jr.	.....	D29/101.1
D833,024 S *	11/2018	Chang	.....	D24/190
D843,662 S *	3/2019	Green-Mullins	.....	D29/101.1
D851,334 S *	6/2019	Green Mullins	.....	D29/101.1
D895,128 S *	9/2020	Khubani	.....	D24/190
2010/0268140 A1 *	10/2010	Berlese	.....	A61F 5/028 602/19

(Continued)

**FOREIGN PATENT DOCUMENTS**

CN	302995260	*	11/2014
JP	D1493266	*	3/2014

**OTHER PUBLICATIONS**

Back Brace Posture Corrector for Men and Women, Seibite, Amazon, [Post date: Jan. 13, 2021], [site seen Jun. 1, 2022], Seen at URL: [https://www.amazon.com/Back-Brace-Posture-Corrector-Women/dp/B09BMB6KWN/ref=sr\\_1\\_8](https://www.amazon.com/Back-Brace-Posture-Corrector-Women/dp/B09BMB6KWN/ref=sr_1_8) (Year: 2021).\*

(Continued)

*Primary Examiner* — Natasha Vujcic

*Assistant Examiner* — Gilbert B Ford

(74) *Attorney, Agent, or Firm* — Garcia-Zamor  
Intellectual Property Law, LLC; Ruy Garcia-Zamor

(57) **CLAIM**

I claim, the ornamental design for a back splint, as shown and described.

**DESCRIPTION**

FIG. 1 is a front, top, right, perspective view of a back splint; FIG. 2 is a rear, top, left perspective view of the splint of FIG. 1;

FIG. 3 is a front elevational view of the splint of FIG. 1;

FIG. 4 is a rear elevational view of the splint of FIG. 1;

FIG. 5 is a top plan view of the splint of FIG. 1;

FIG. 6 is a bottom plan view of the splint of FIG. 1;

FIG. 7 is a left side elevational view of the splint of FIG. 1;

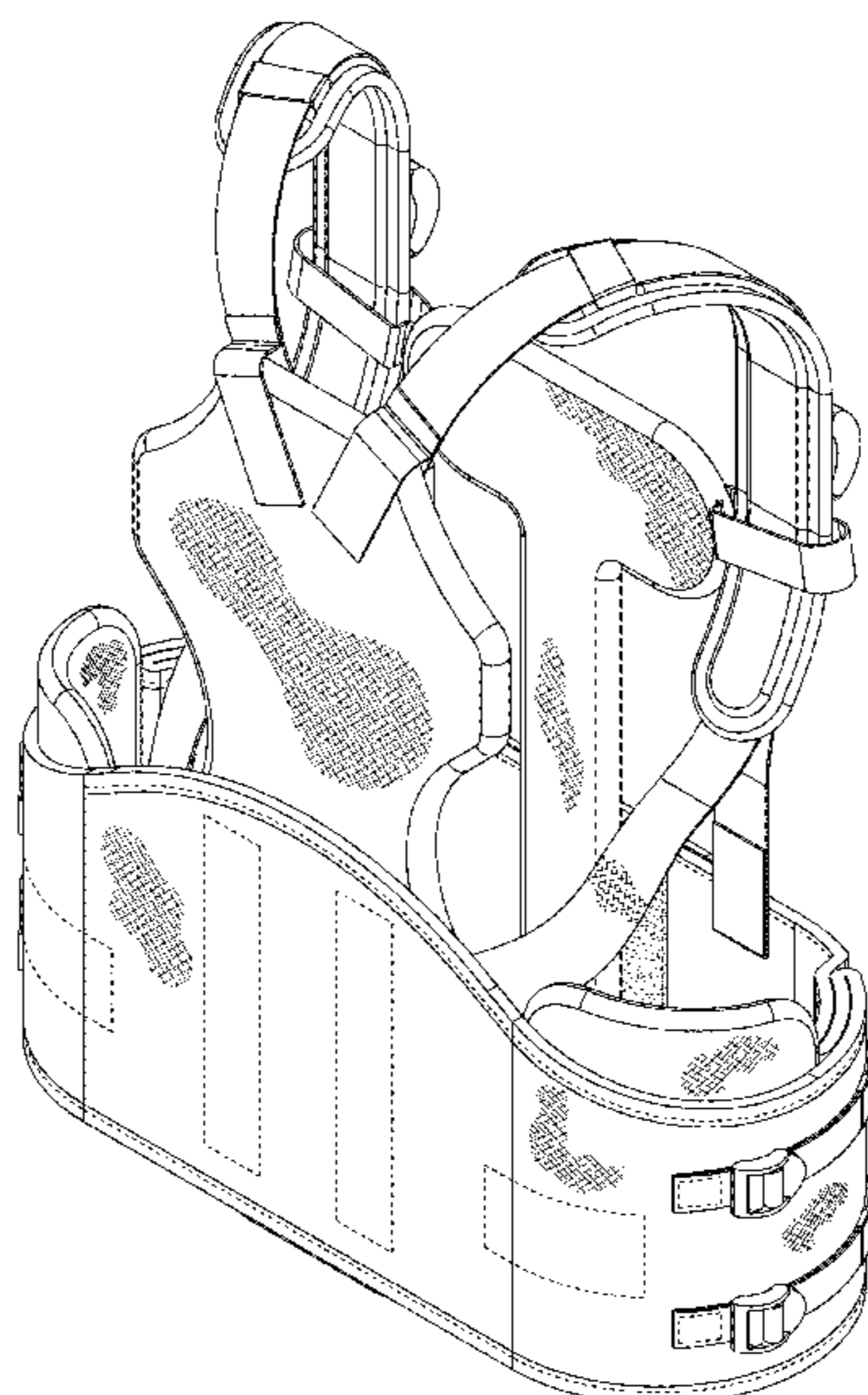
FIG. 8 is a right-side elevational view of the splint of FIG. 1;

FIG. 9 is a front, bottom, left perspective view of the splint of FIG. 1; and,

FIG. 10 is a rear, bottom, right perspective view of the splint of FIG. 1.

The broken lines in the drawings represent manufacturing stitching on the back splint and form no part of the claimed design.

**1 Claim, 9 Drawing Sheets**



(56)

**References Cited**

U.S. PATENT DOCUMENTS

2011/0077567 A1\* 3/2011 Bledsoe ..... A61F 5/028  
602/19  
2014/0018715 A1\* 1/2014 Ingimundarson ..... A61F 5/026  
602/19  
2014/0058307 A1\* 2/2014 Marshall ..... A61F 5/02  
602/19  
2014/0221893 A1\* 8/2014 Modglin ..... A61F 5/028  
602/19  
2015/0351946 A1\* 12/2015 Landtbom ..... A61F 5/028  
602/19  
2016/0081841 A1\* 3/2016 Miller ..... A61F 5/024  
602/19  
2016/0228279 A1\* 8/2016 Modglin ..... A61F 5/02  
2020/0113725 A1\* 4/2020 Petterson ..... A61F 5/024  
2020/0268543 A1\* 8/2020 Santaniello ..... A61F 5/028

OTHER PUBLICATIONS

Back Brace Posture Corrector, Best Damn Braces, [Post date: Oct. 24, 2021], [Site seen Jun. 1, 2022], Seen at URL: <https://bestdamnbraces.com/products/braces> (Year: 2021).\*

\* cited by examiner



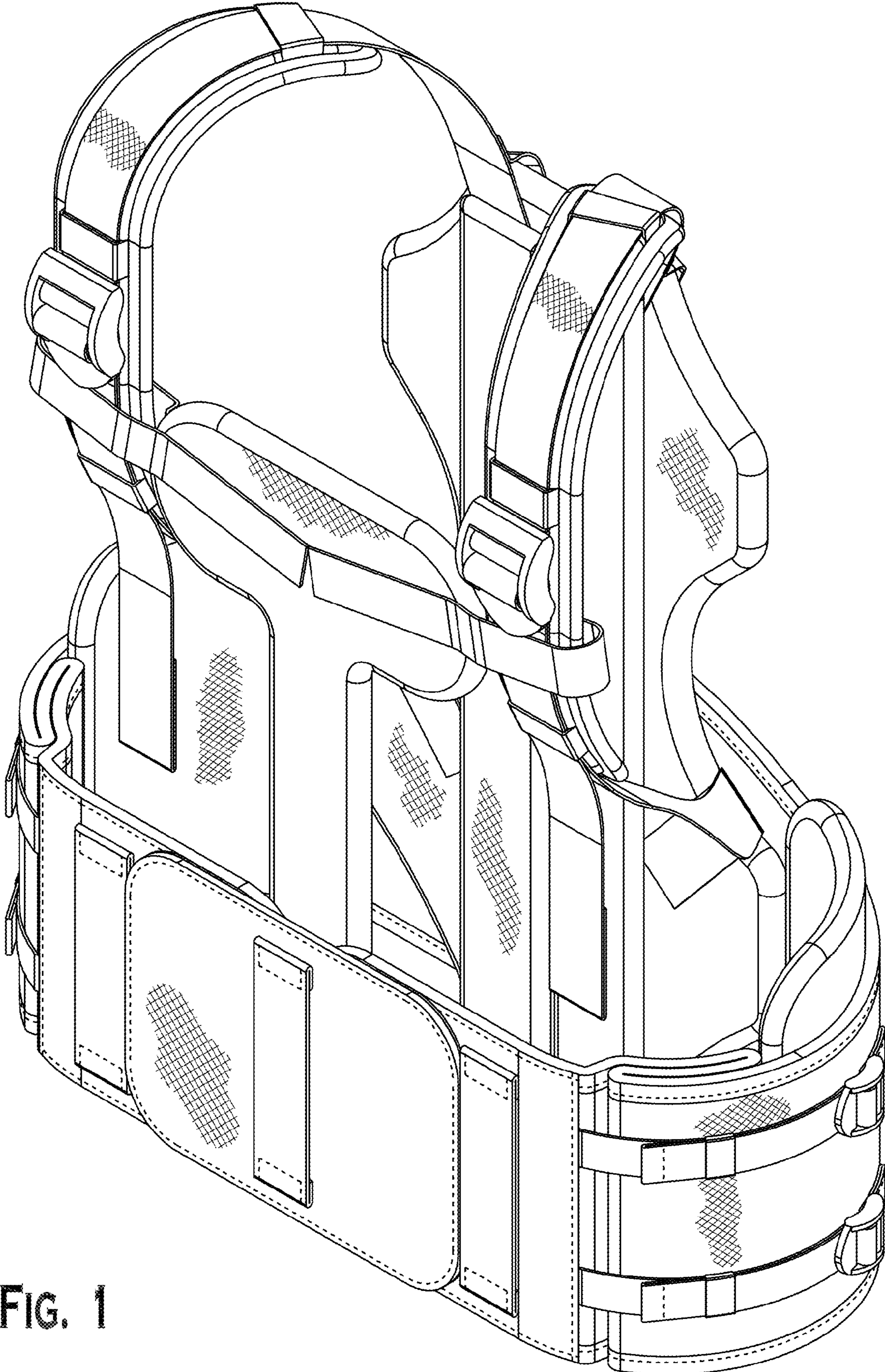


FIG. 1



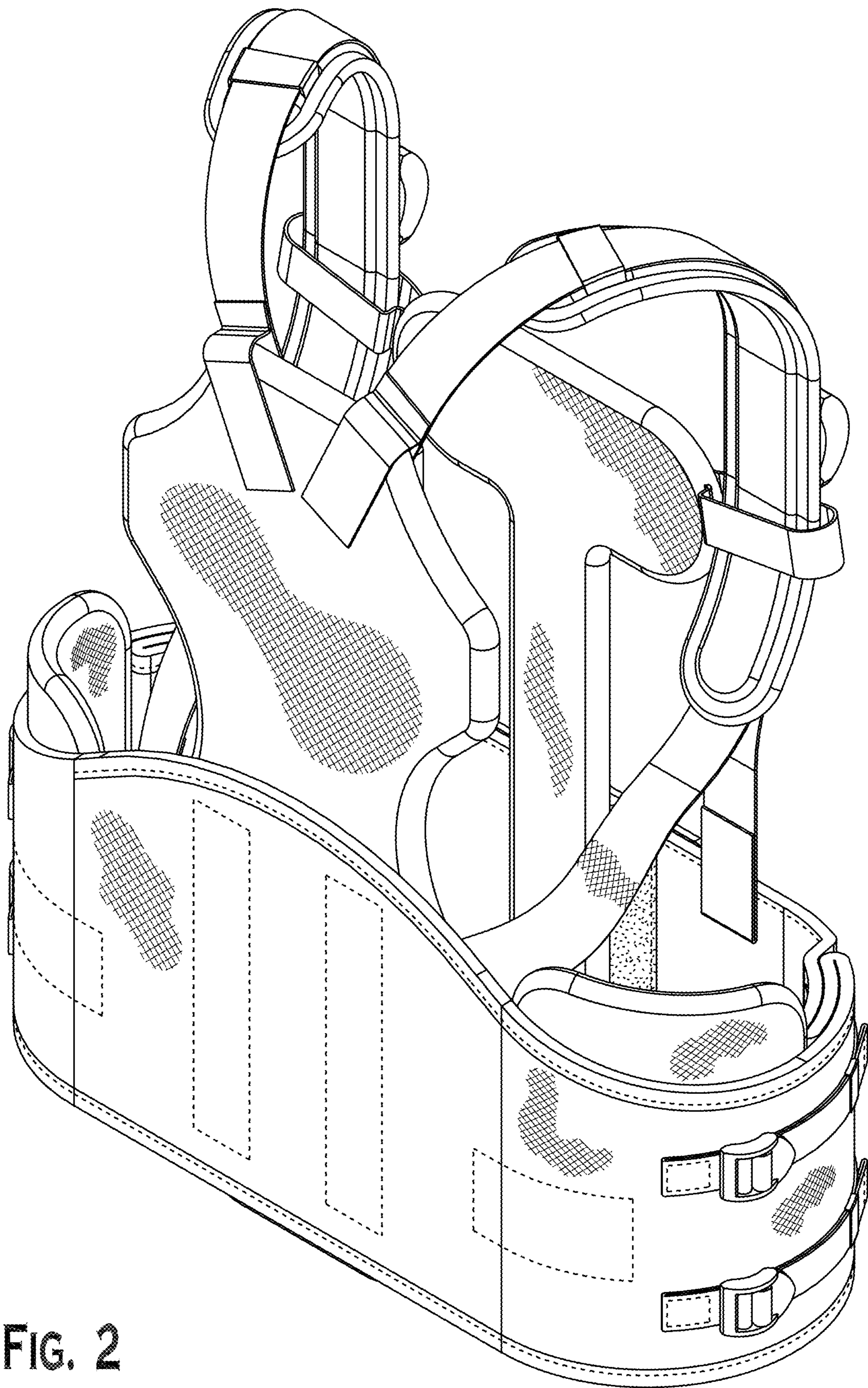


FIG. 2

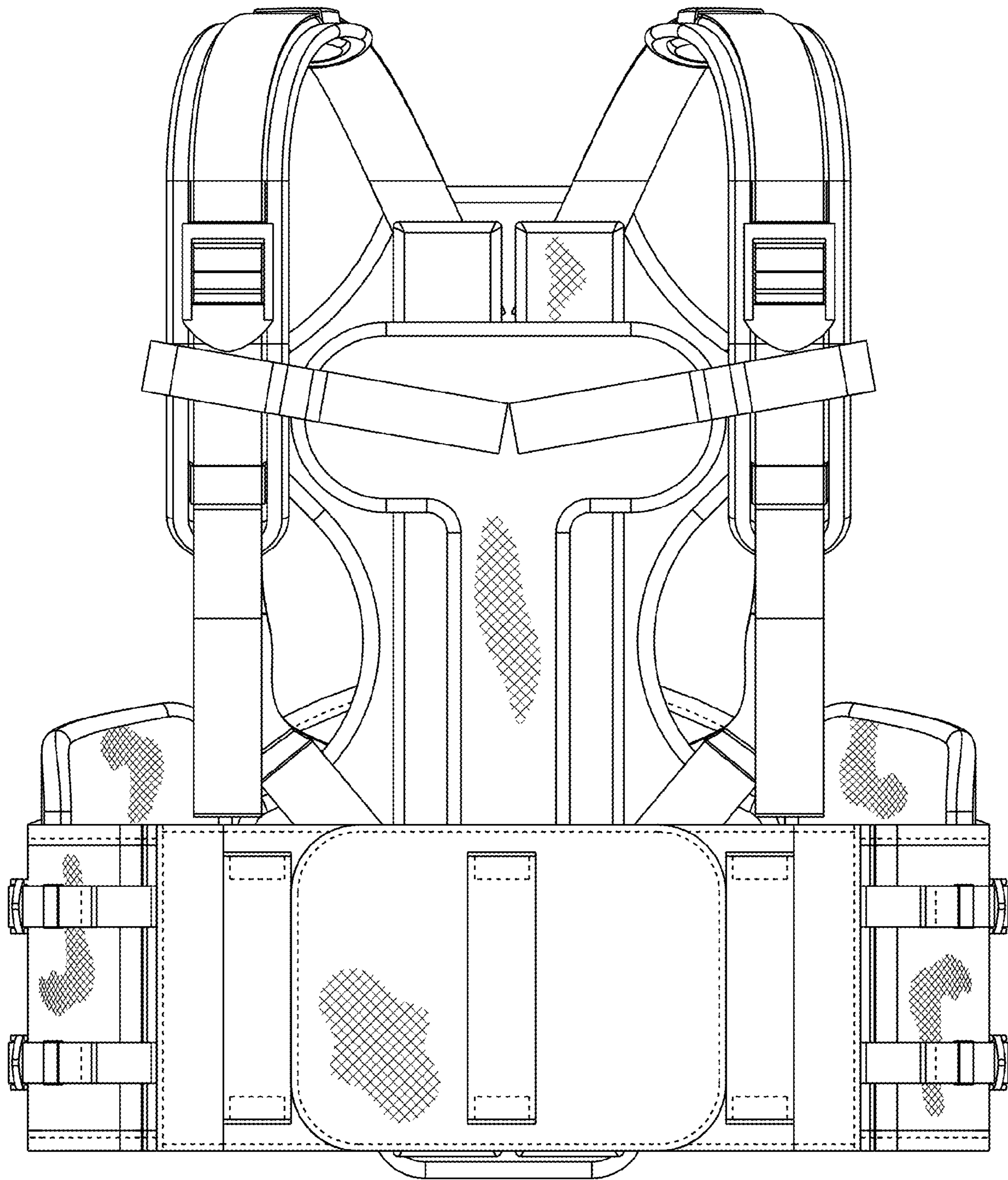


FIG. 3



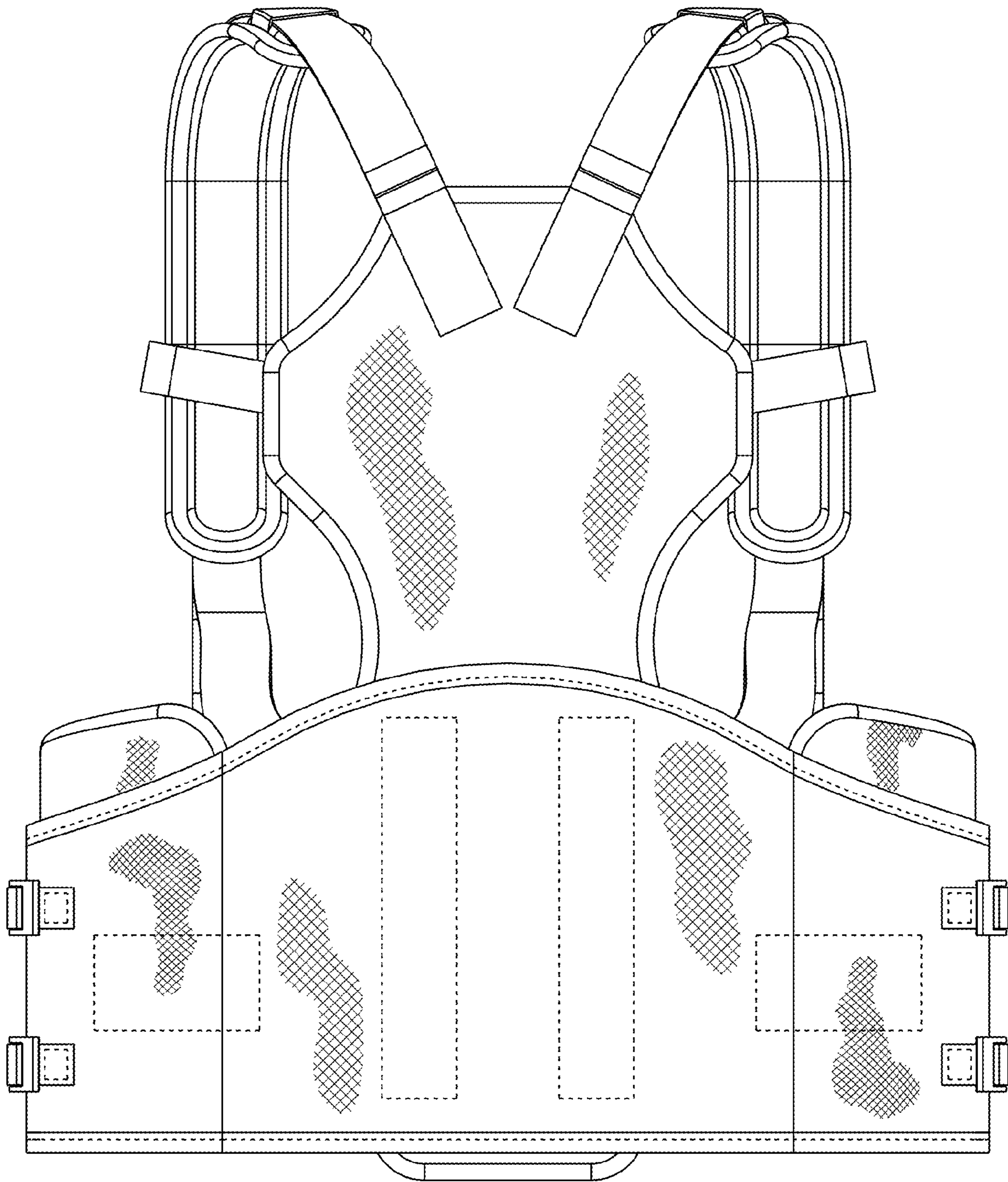


FIG. 4

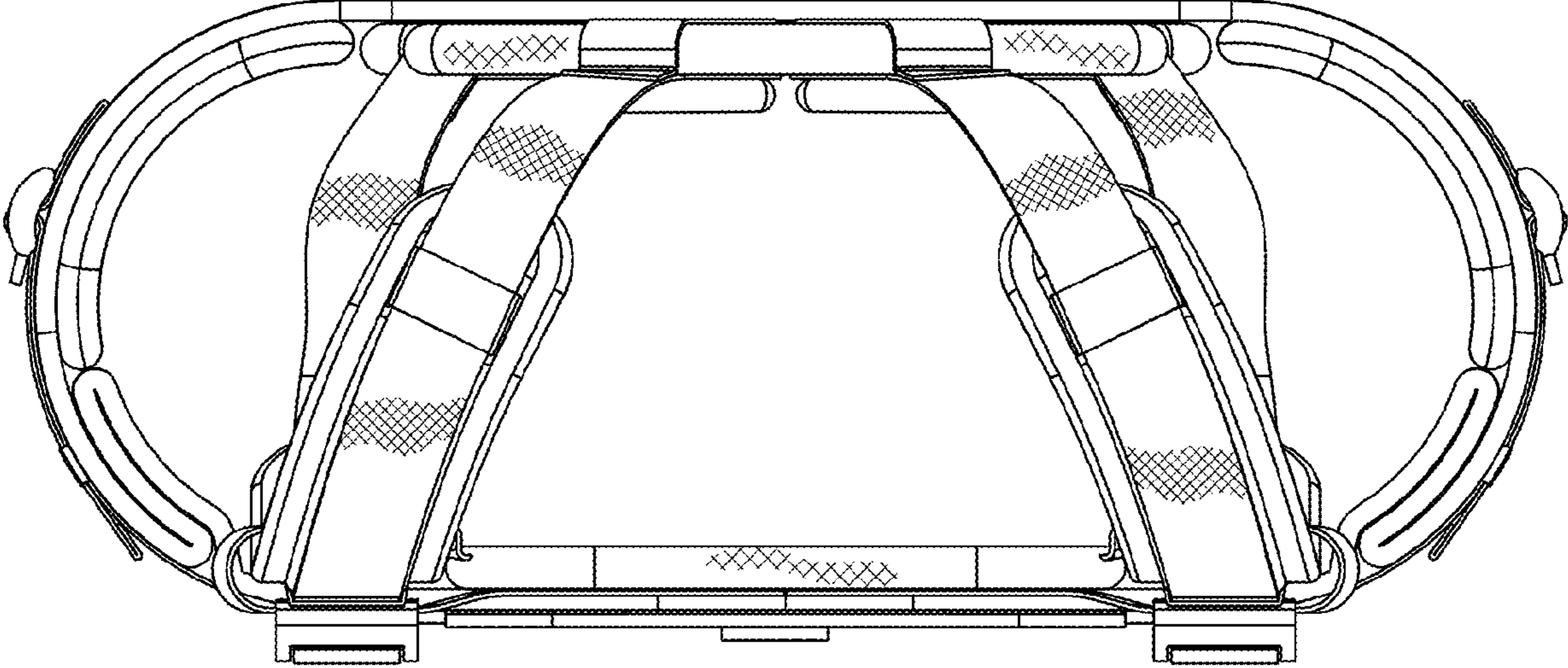


FIG. 5

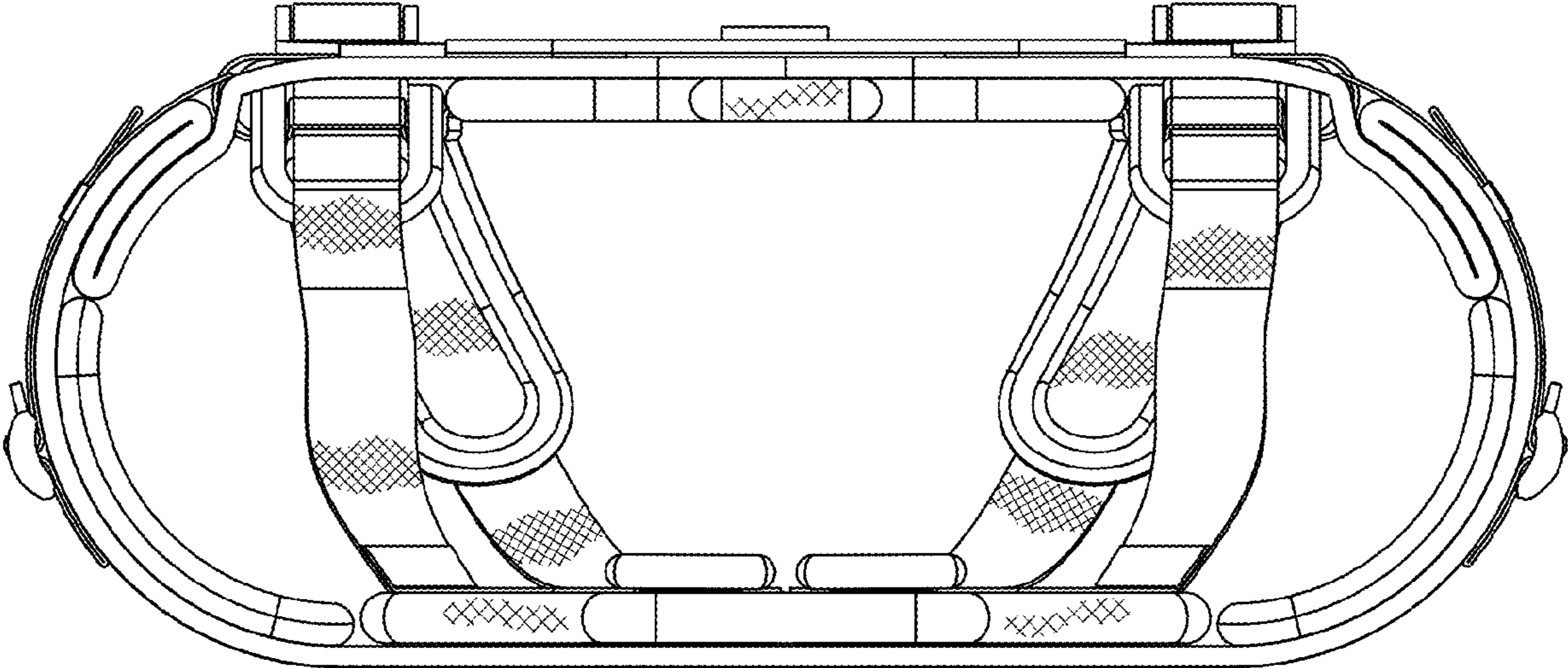


FIG. 6

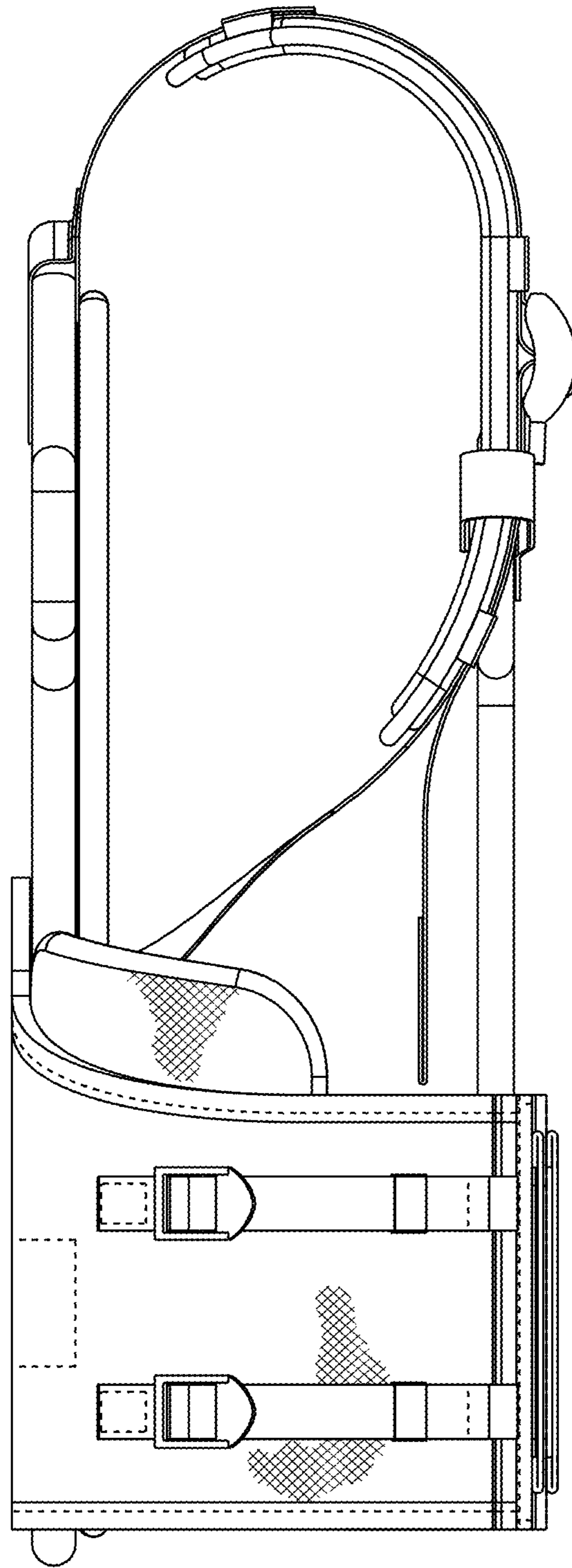


FIG. 7



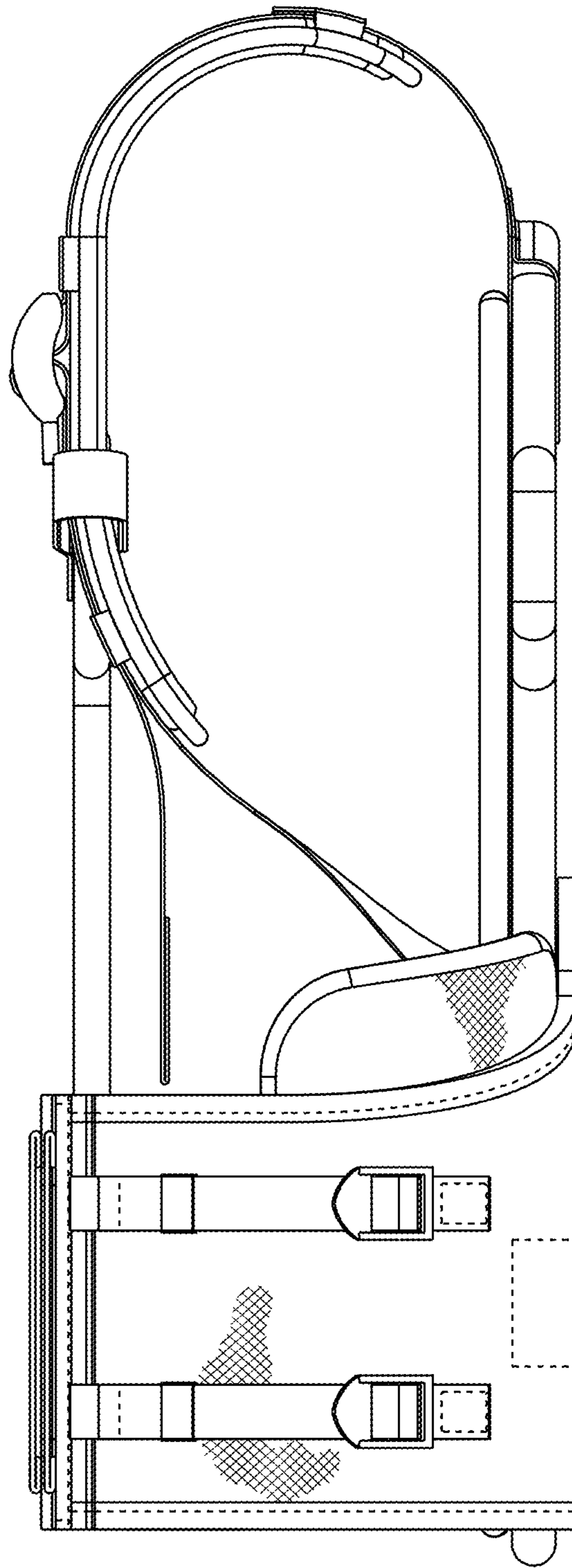


FIG. 8

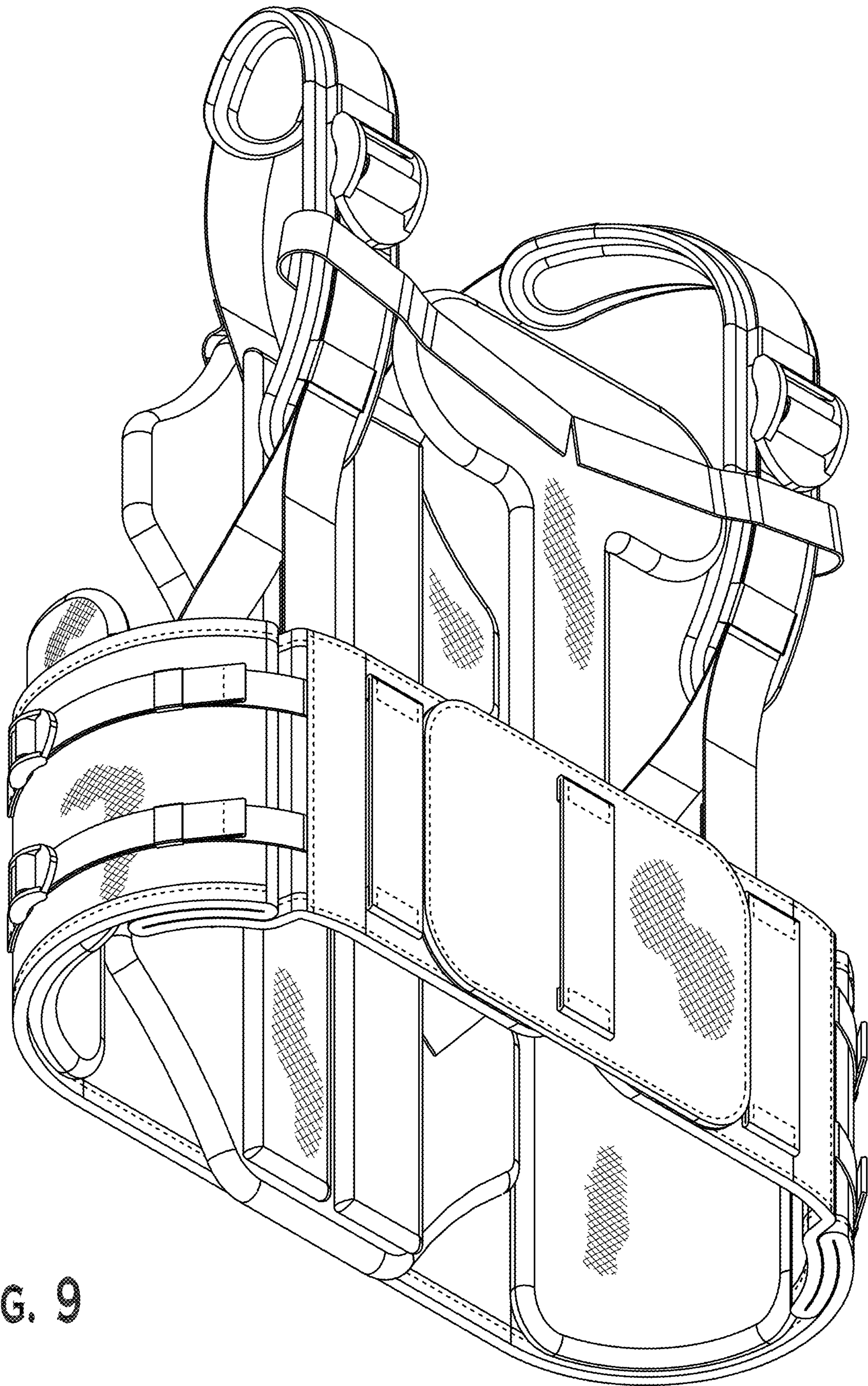


FIG. 9



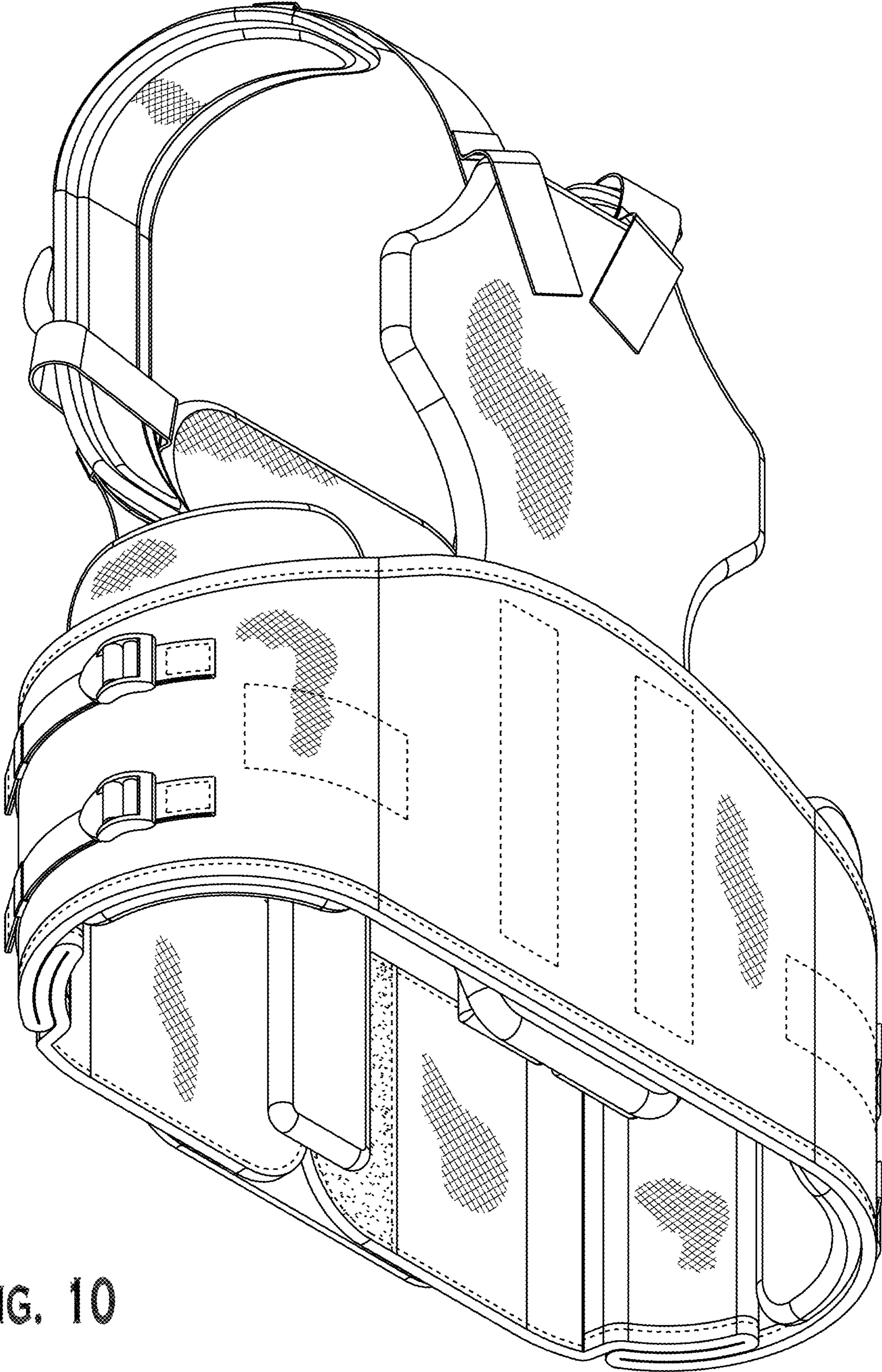


FIG. 10