



US00D967966S

(12) **United States Design Patent** (10) **Patent No.:** **US D967,966 S**
Siddiqui et al. (45) **Date of Patent:** **** *Oct. 25, 2022**

(54) **PATIENT MONITOR**
(71) Applicant: **Circadia Technologies Ltd.**, Croydon (GB)
(72) Inventors: **Fares Siddiqui**, Croydon (GB); **Michal Maslik**, London (GB); **Dan Clifton**, San Francisco, CA (US)
(73) Assignee: **Circadia Technologies Ltd.**, Croydon (GB)

D385,022 S *	10/1997	Glenn	D23/332
D414,187 S *	9/1999	Lange	D14/231
D454,945 S *	3/2002	Choi	D23/336
D531,631 S *	11/2006	Andre	D14/375
D532,011 S *	11/2006	Andre	D14/375
D541,799 S *	5/2007	Andre	D14/375
D753,832 S *	4/2016	Lin	D24/186
D754,861 S *	4/2016	O'Driscoll	D24/186
D791,763 S *	7/2017	Akana	D14/336
D831,816 S *	10/2018	Baek	D23/378
D843,984 S *	3/2019	Yang	D14/230
D891,962 S *	8/2020	Siminoff	D10/106.5
D909,550 S *	2/2021	Green	D23/336

(*) Notice: This patent is subject to a terminal disclaimer.

* cited by examiner

(**) Term: **15 Years**

Primary Examiner — Calvin E Vansant

(21) Appl. No.: **35/508,830**

(22) Filed: **Oct. 31, 2019**

(57) **CLAIM**

The ornamental design for a patient monitor, as shown and described.

(80) **Hague Agreement Data**

Int. Filing Date: **Oct. 31, 2019**
Int. Reg. No.: **DM/206446**
Int. Reg. Date: **Oct. 31, 2019**
Int. Reg. Pub. Date: **Mar. 20, 2020**

DESCRIPTION

(51) **LOC (13) Cl.** **24-02**
(52) **U.S. Cl.**
USPC **D24/186; D23/382**
(58) **Field of Classification Search**
USPC D24/186; D23/336, 337, 340, 382; D14/231
CPC A61B 5/743; G16H 40/63; G16H 10/60
See application file for complete search history.

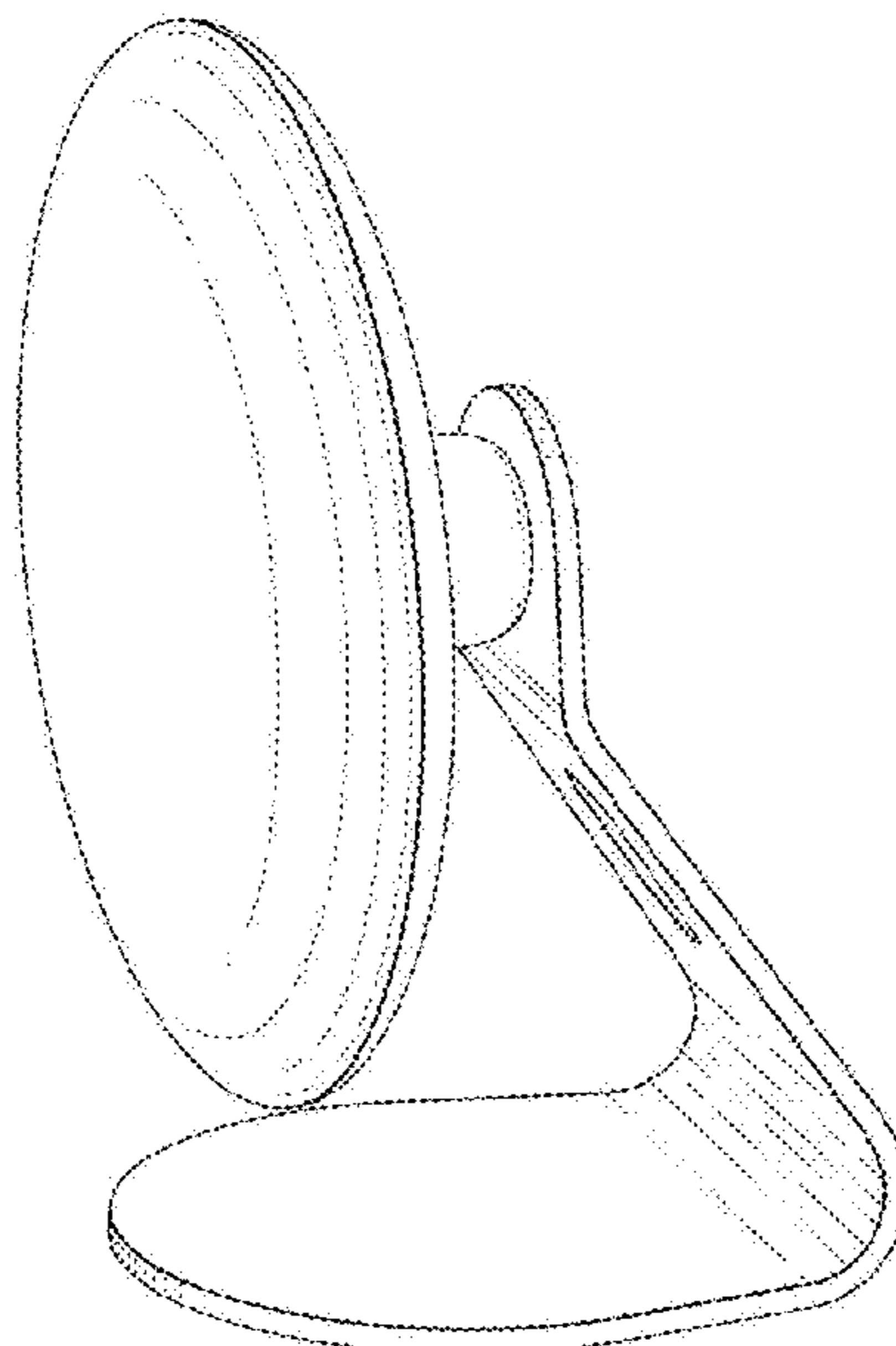
1. Patient monitor
Fig. 1.1 is a front view of a patient monitor in accordance with the present design;
Fig. 1.2 is a back view thereof;
Fig. 1.3 is a left view thereof;
Fig. 1.4 is a right view thereof;
Fig. 1.5 is a top view thereof;
Fig. 1.6 is a bottom view thereof; and
Fig. 1.7 is a front right perspective view thereof.
The broken lines in Figs. 1.1-1.7 are included for the purpose of showing portions of the patient monitor that form no part of the claimed design.

(56) **References Cited**

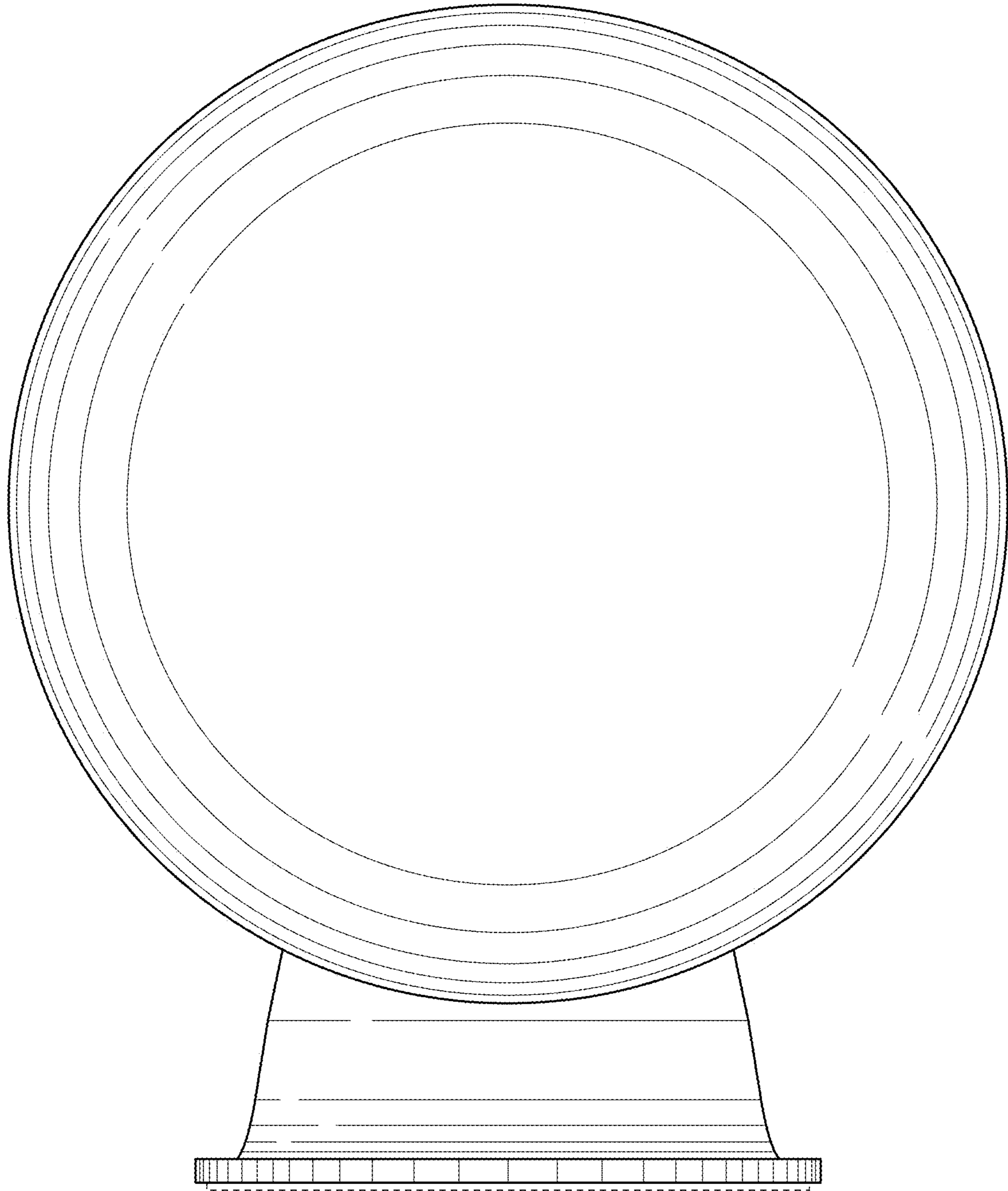
U.S. PATENT DOCUMENTS

D310,671 S * 9/1990 Weiss D14/230

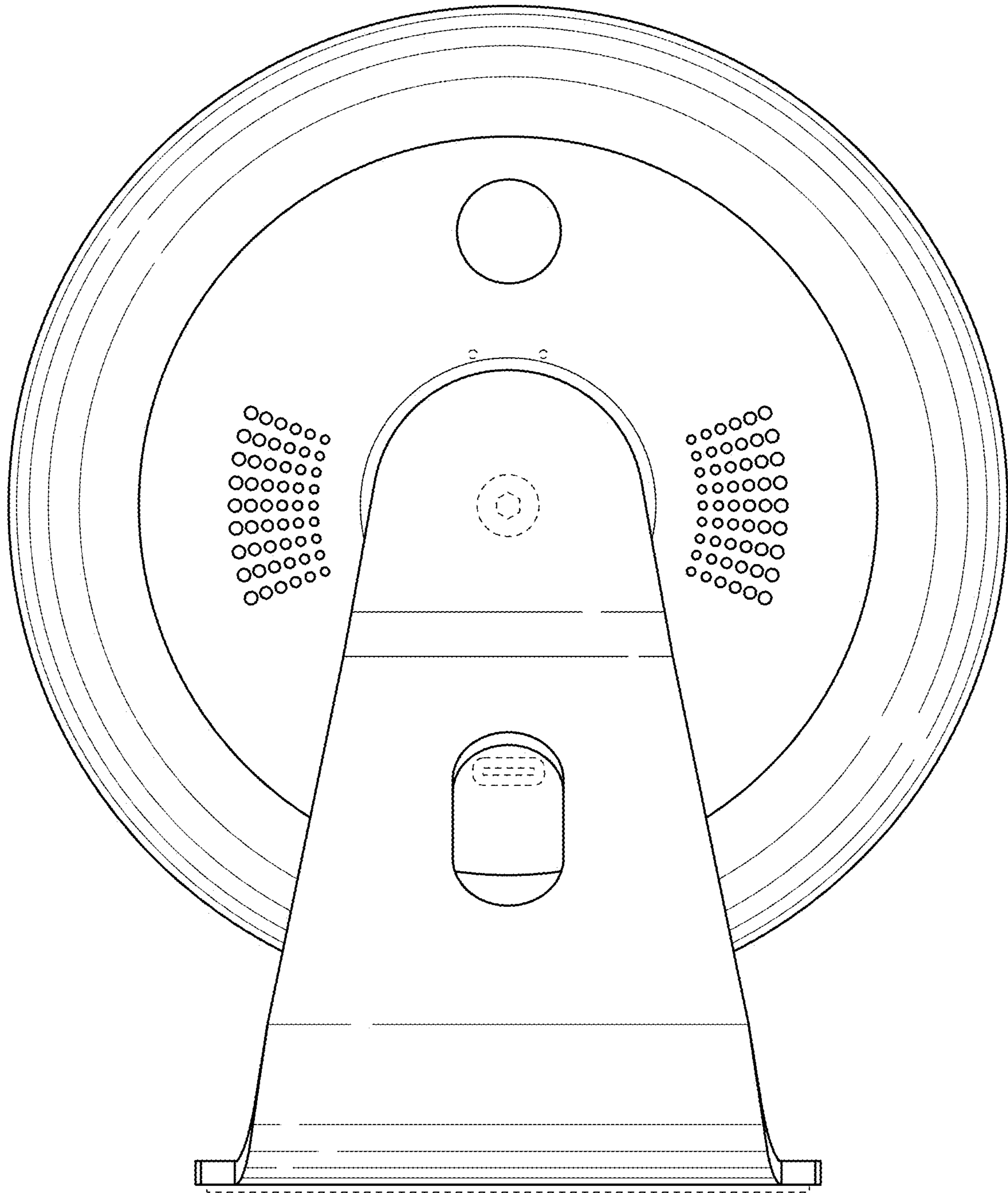
1 Claim, 7 Drawing Sheets



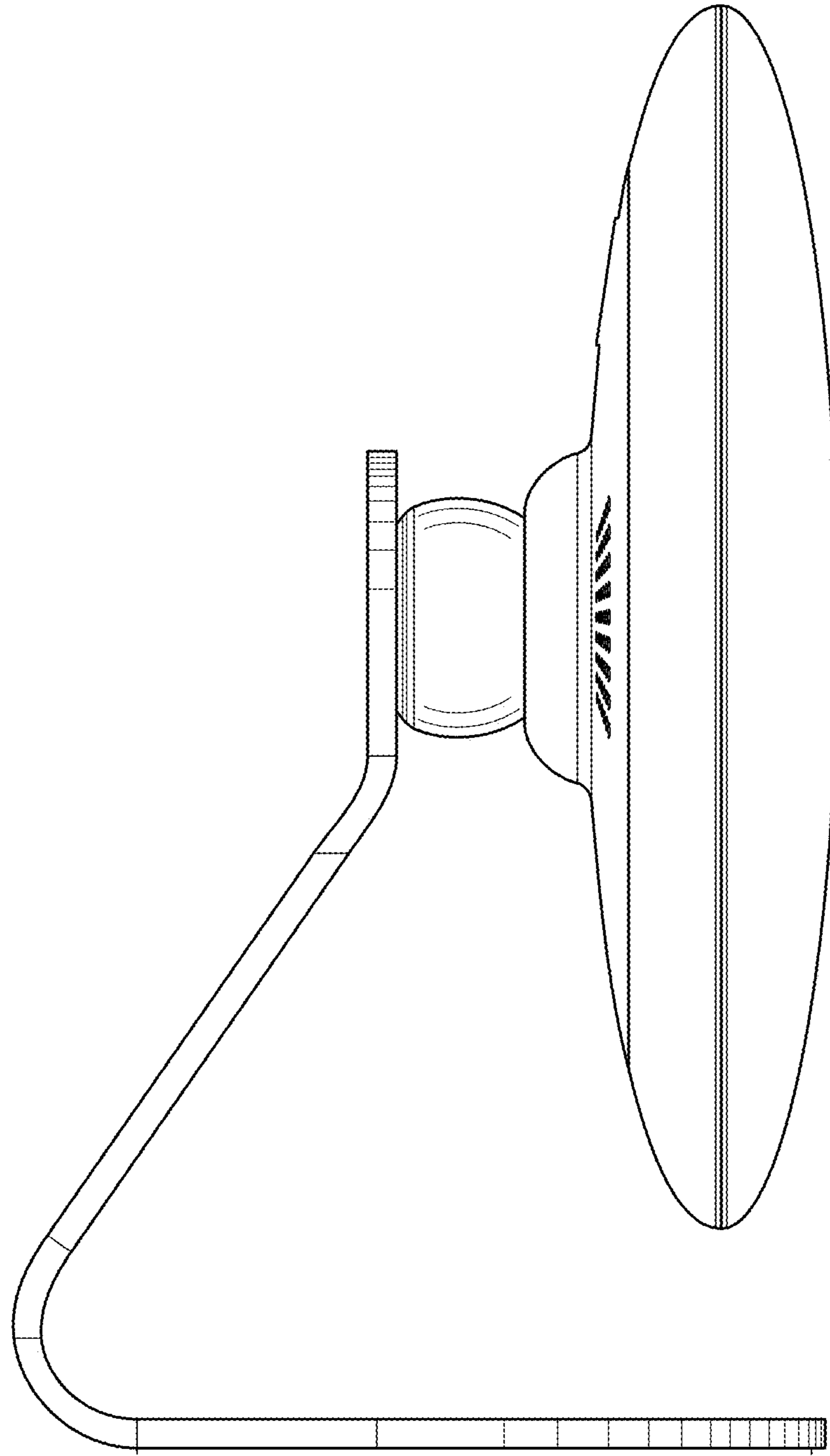
1.1



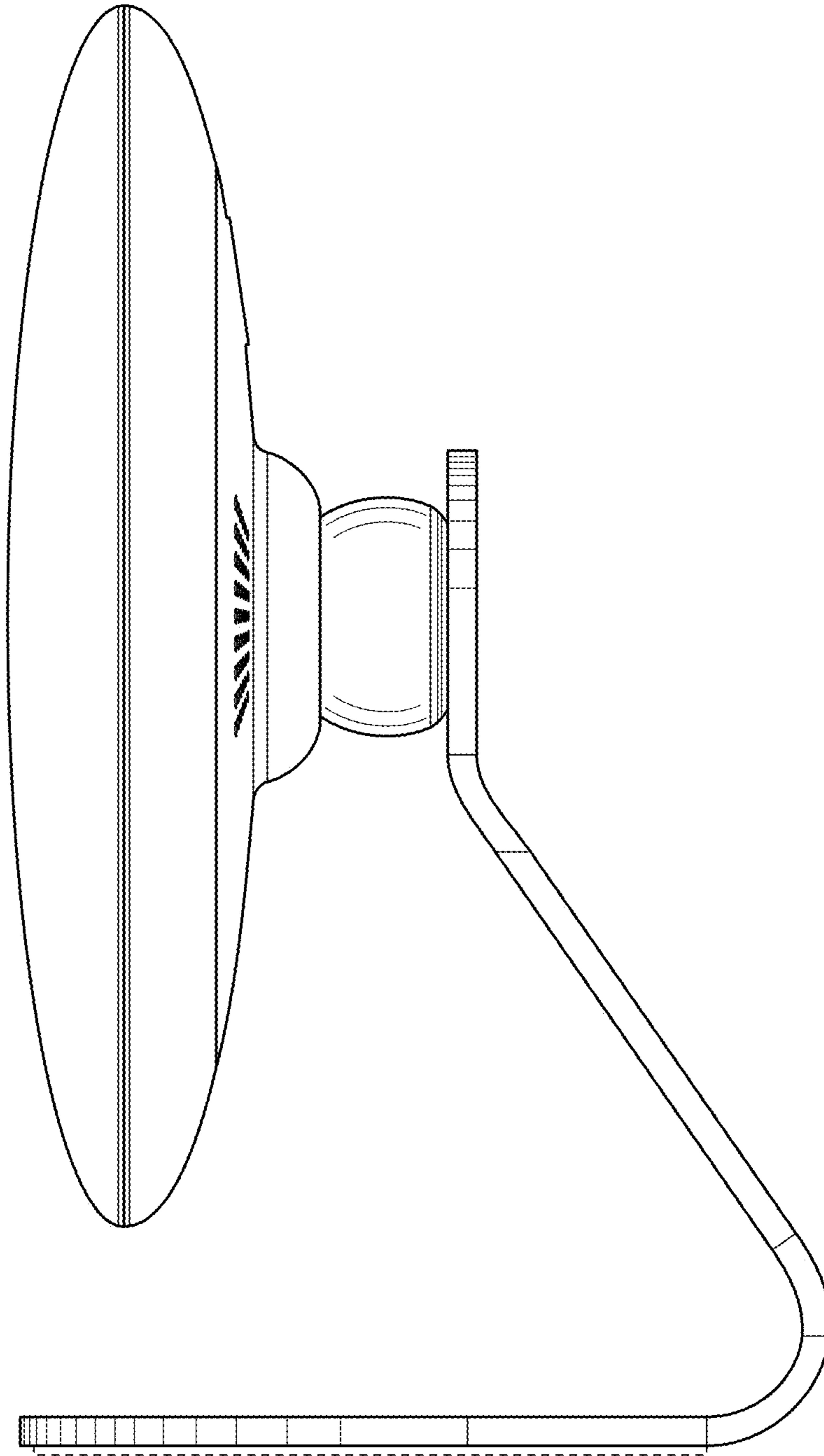
1.2



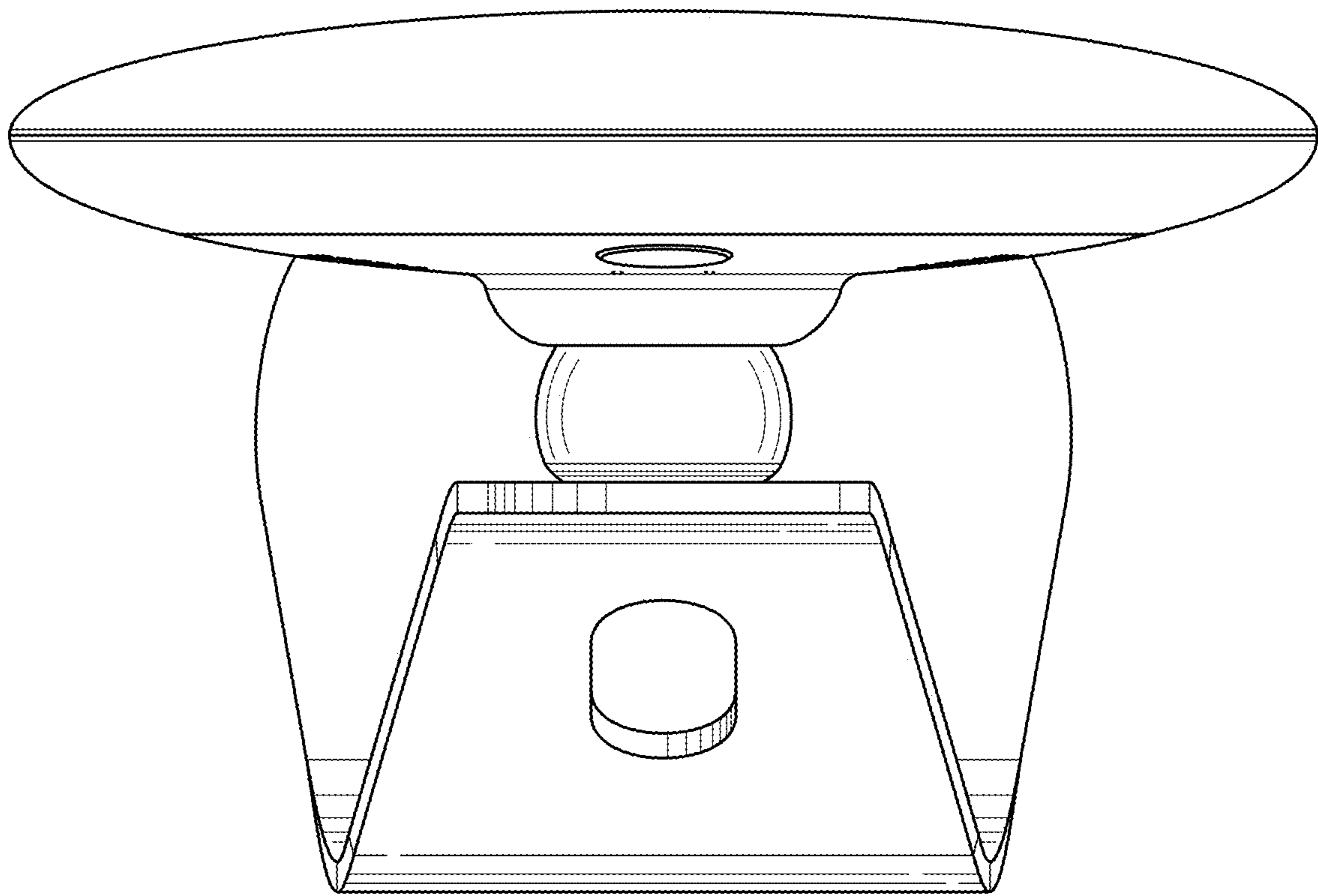
1.3



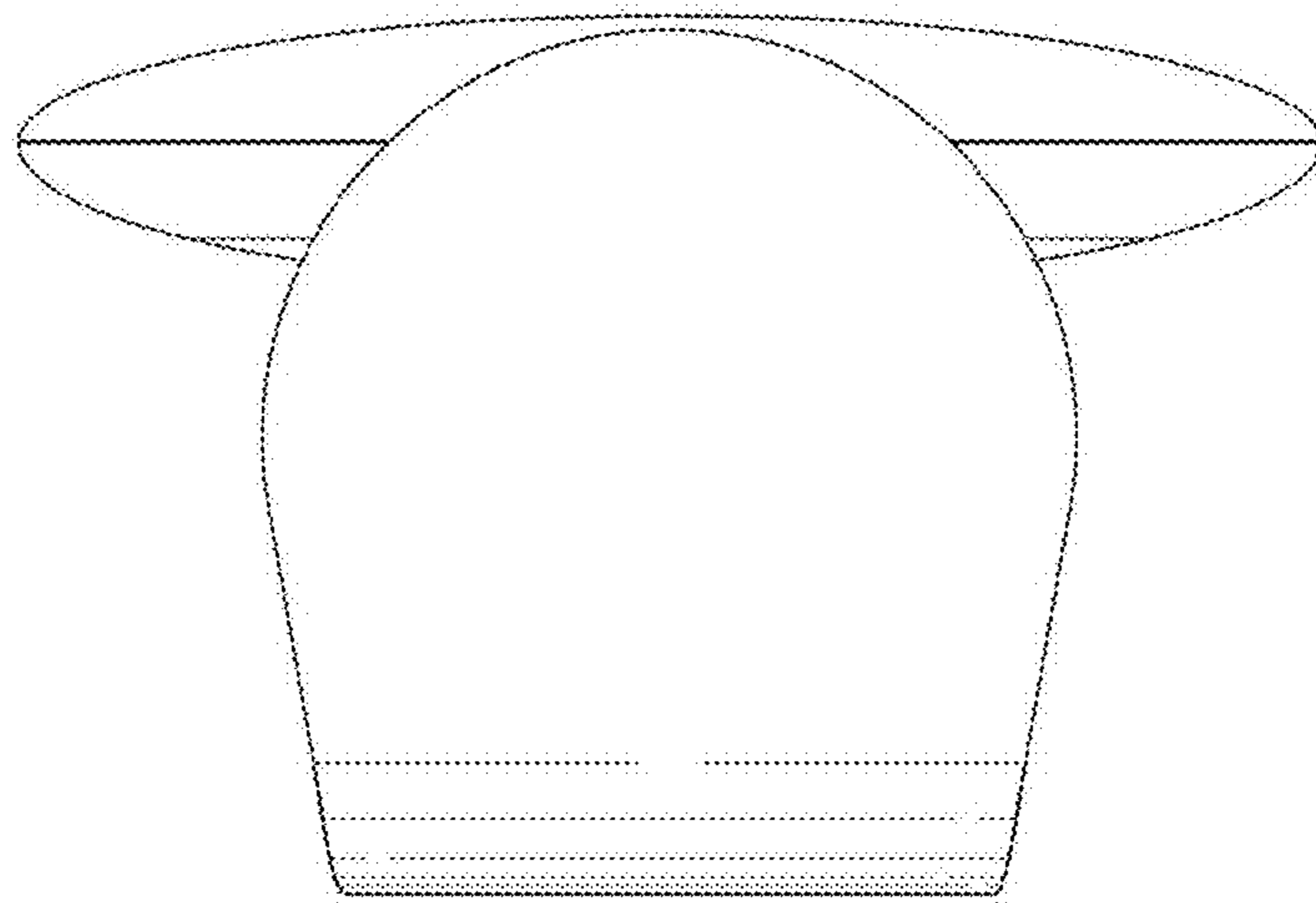
1.4



1.5



1.6



1.7

