

US00D967964S

(12) **United States Design Patent** (10) **Patent No.:** **US D967,964 S**
Boehner et al. (45) **Date of Patent:** **** Oct. 25, 2022**

(54) **PATIENT TABLE**

- (71) Applicant: **Siemens Healthcare GmbH**, Erlangen (DE)
- (72) Inventors: **Julian Boehner**, Ebermannstadt (DE);
Harald Cramer, Uhingen (DE);
Steffen Mueller, Stuttgart (DE)
- (73) Assignee: **Siemens Healthcare GmbH**, Erlangen (DE)
- (**) Term: **15 Years**

(21) Appl. No.: **29/749,849**

(22) Filed: **Sep. 9, 2020**

(30) **Foreign Application Priority Data**

Mar. 10, 2020 (EM) 007746128

(51) **LOC (13) Cl.** **24-02**

(52) **U.S. Cl.**
USPC **D24/183**

(58) **Field of Classification Search**
 USPC D24/107, 158-161, 183-184, 200, 201;
 D6/336-337, 382, 383, 384, 392, 393,
 D6/595-596, 601, 604-605, 718
 CPC A61M 16/101; A61H 1/00; A61G 13/10;
 A61G 13/1235; A61G 2210/50; A61B
 6/04; A61B 6/0407; A61B 6/0487; A61F
 5/3723; A61F 5/3761
 See application file for complete search history.

(56) **References Cited**

U.S. PATENT DOCUMENTS

- D553,246 S * 10/2007 Banryu D24/183
- D630,330 S * 1/2011 Baba D24/159
- D681,208 S * 4/2013 Ninomiya D24/159
- D735,864 S * 8/2015 Doerre D24/159

(Continued)

OTHER PUBLICATIONS

New Study Shows MR-HIFU Effective for Treating Bone Tumors in Children. Online, published date Aug. 29, 2018. Retrieved on Nov. 23, 2021 from URL: <https://www.medgadget.com/2017/08/new-study-shows-mr-hifu-effective-treating-bone-tumors-children.html>.*

Primary Examiner — Omeed Agilee

(74) *Attorney, Agent, or Firm* — Banner & Witcoff Ltd.

(57) **CLAIM**

The ornamental design for a patient table, as shown and described.

DESCRIPTION

The patent or application file contains at least one drawing executed in color. Copies of this patent or patent application publication with color drawing(s) will be provided by the Office upon request and payment of the necessary fee.

FIG. 1 is a front view of the first embodiment of a patient table showing our new design;

FIG. 2 is a back elevational view thereof;

FIG. 3 is a top plan view thereof;

FIG. 4 is a bottom plan view thereof;

FIG. 5 is a left-side elevational view thereof;

FIG. 6 is a right-side elevational view thereof; and

FIG. 7 is a top, front, left-hand side perspective view thereof.

FIG. 8 is a front view of the second embodiment of a patient table;

FIG. 9 is a back elevational view thereof;

FIG. 10 is a top plan view thereof;

FIG. 11 is a bottom plan view thereof;

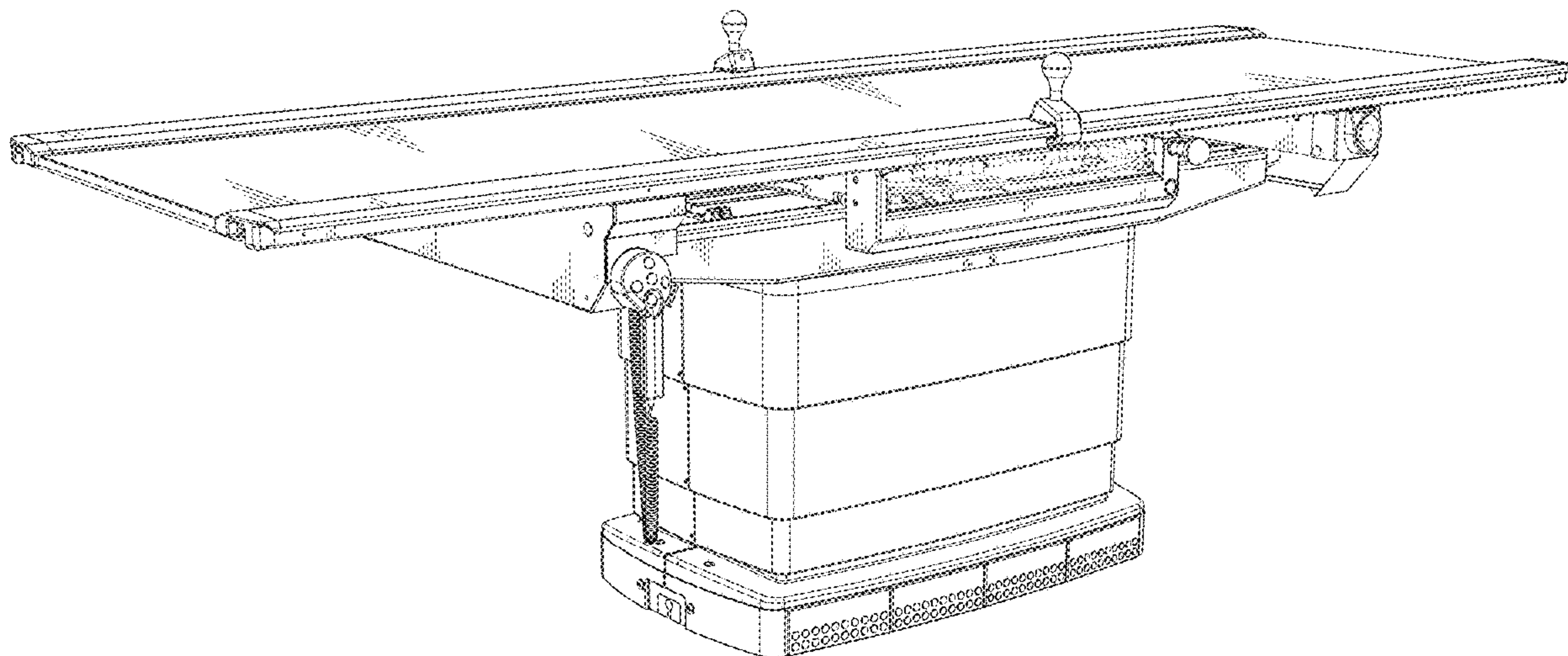
FIG. 12 is a left-side elevational view thereof;

FIG. 13 is a right-side elevational view thereof; and,

FIG. 14 is a top, front, left-hand side perspective view thereof.

The broken lines depict portions of the patient table that form no part of the claimed design.

1 Claim, 14 Drawing Sheets
(5 of 14 Drawing Sheet(s) Filed in Color)



(56)

References Cited

U.S. PATENT DOCUMENTS

D736,934 S *	8/2015	Kim	D24/183
D748,804 S *	2/2016	Eenboom	D24/183
D770,049 S *	10/2016	Yanagihara	D24/159
D843,583 S *	3/2019	Roth	D24/159
D844,789 S *	4/2019	Hetz	D24/183
D861,870 S *	10/2019	Chang	D24/159
D895,809 S *	9/2020	Morreale	D24/183
D897,540 S *	9/2020	Roth	D24/183
D898,201 S *	10/2020	Sun	D24/183

* cited by examiner

FIG. 1

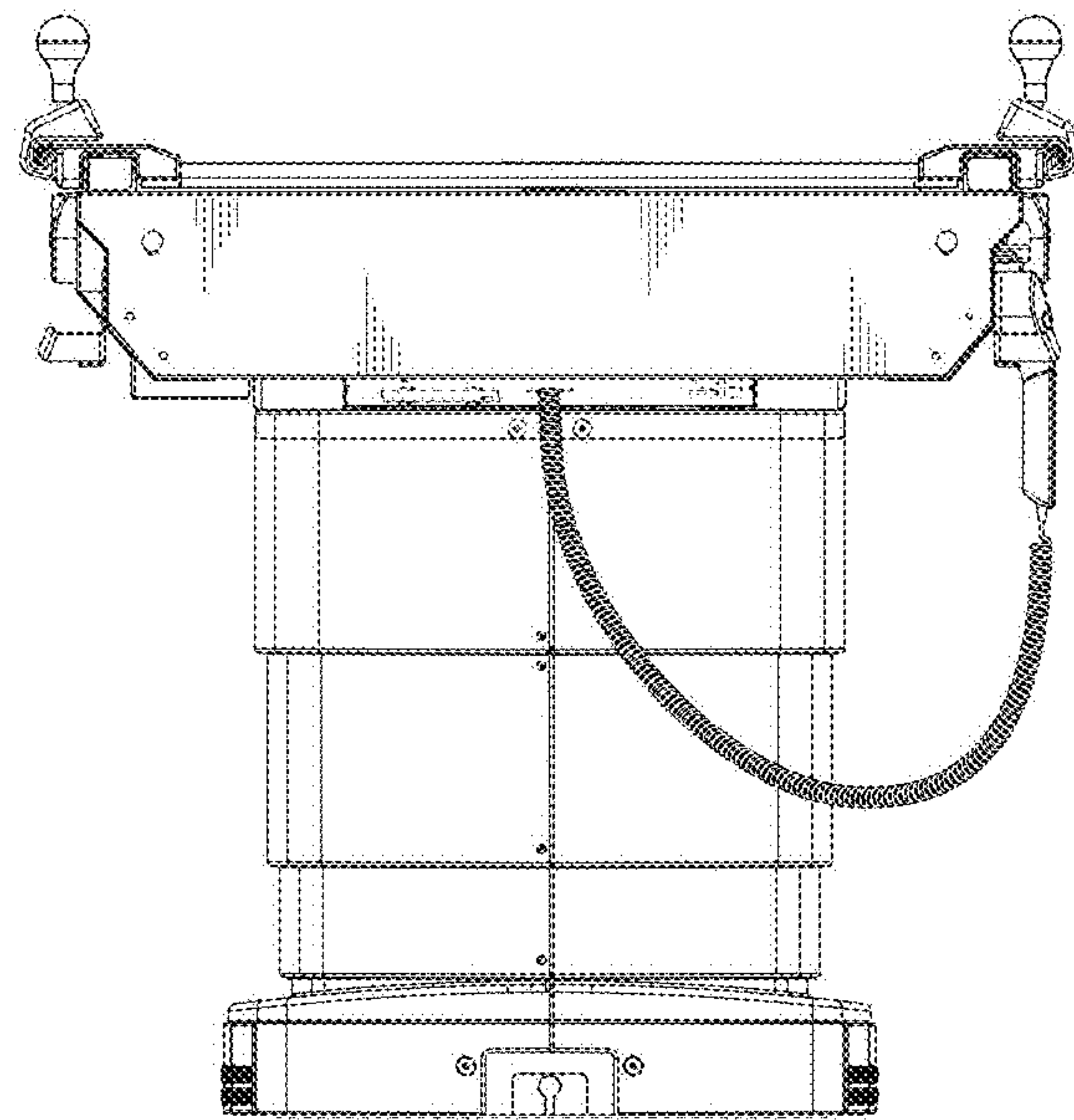


FIG. 2

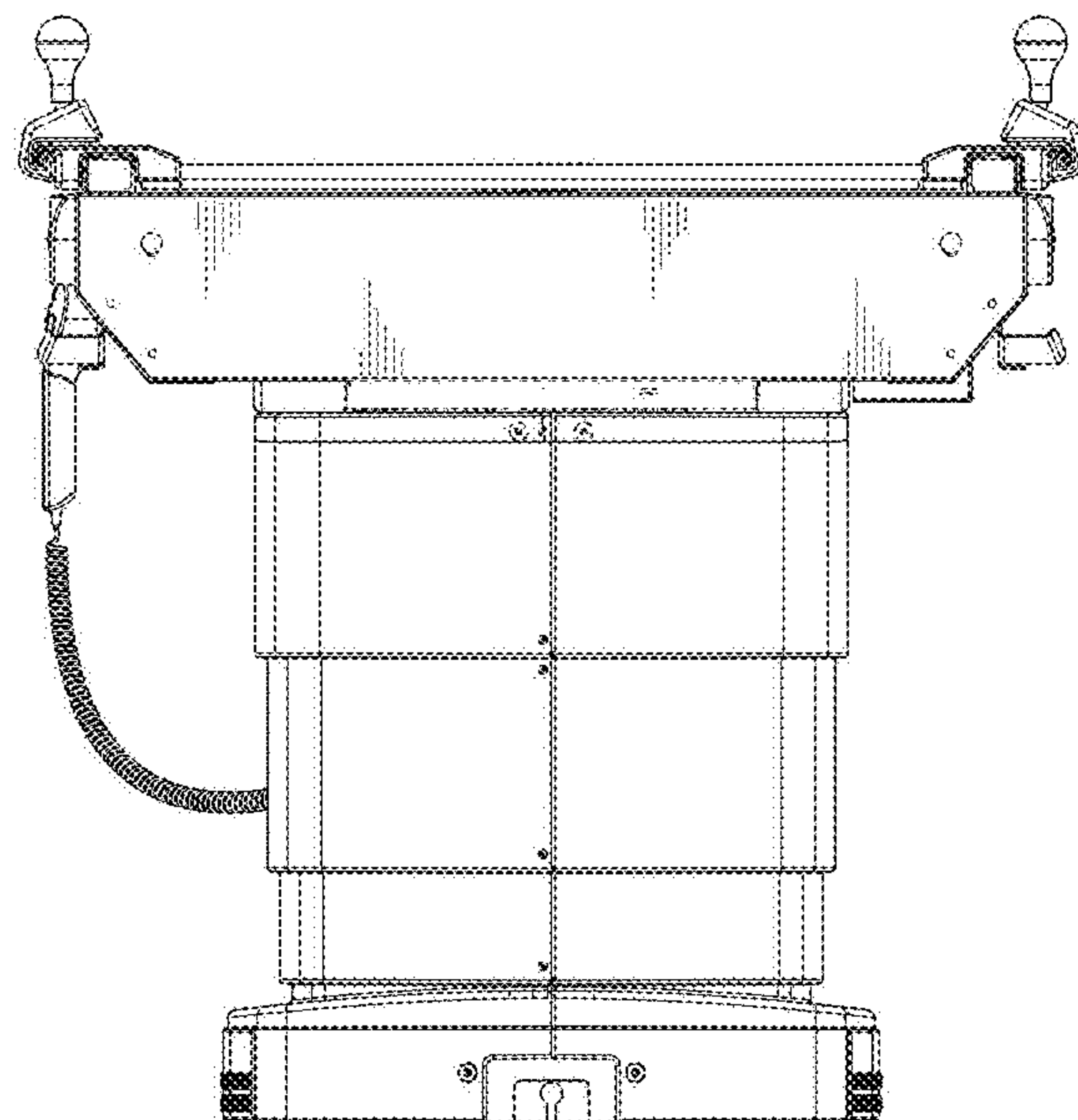


FIG. 3

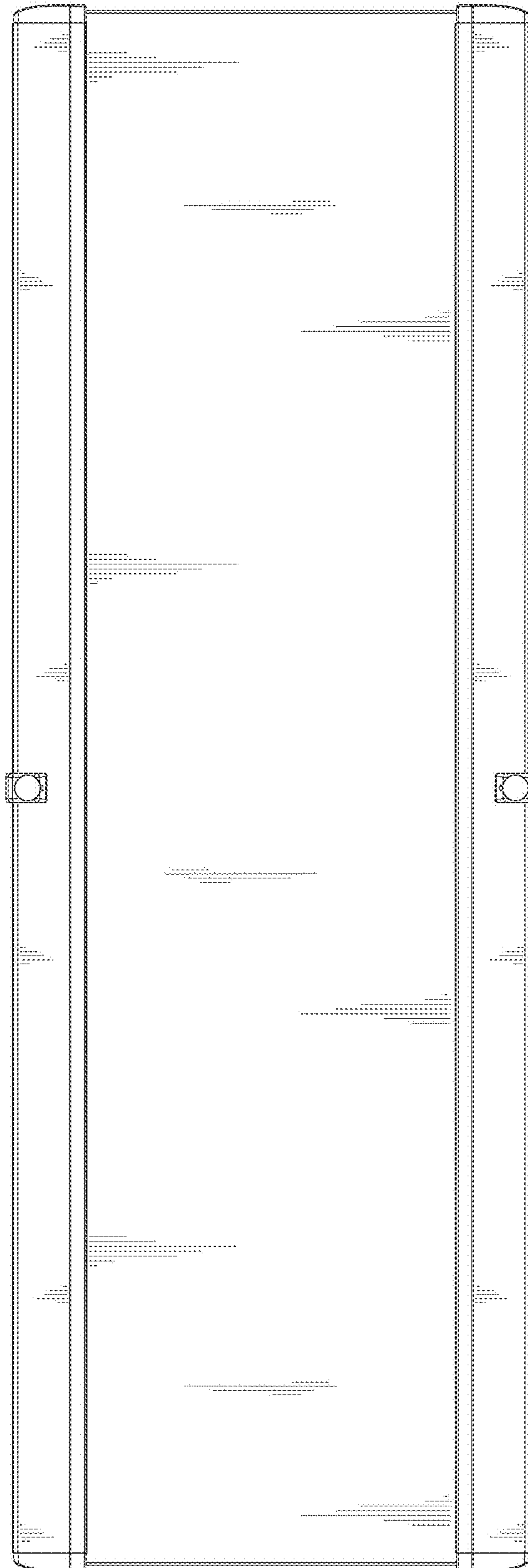


FIG. 4

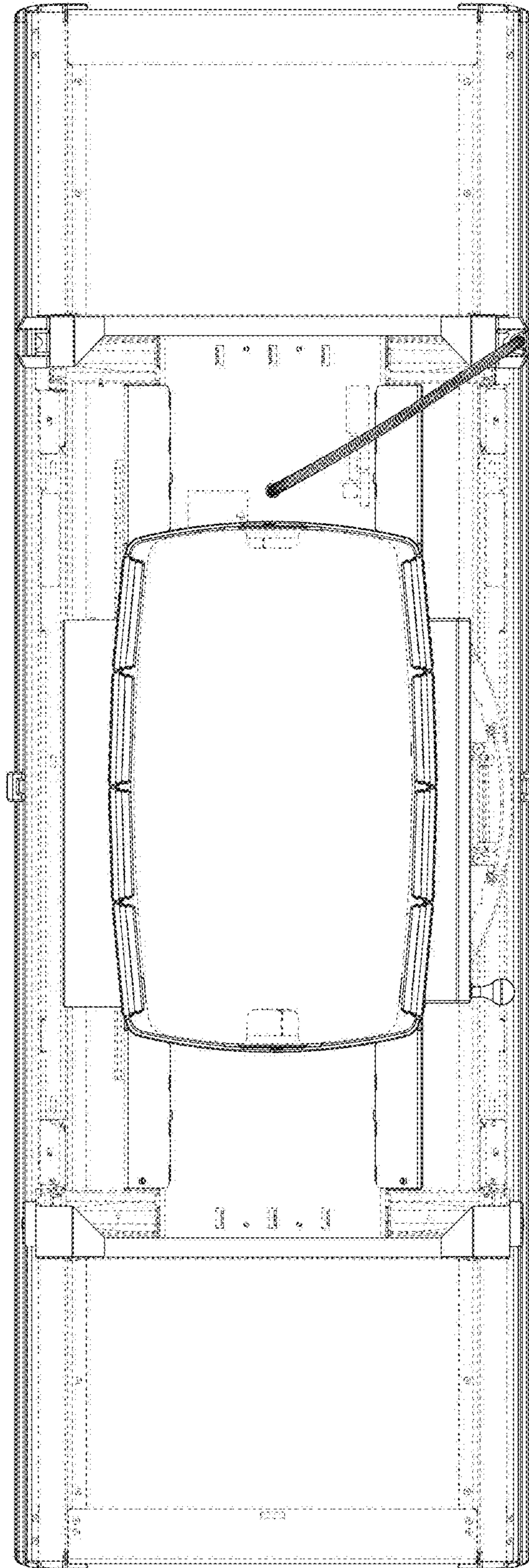


FIG. 5

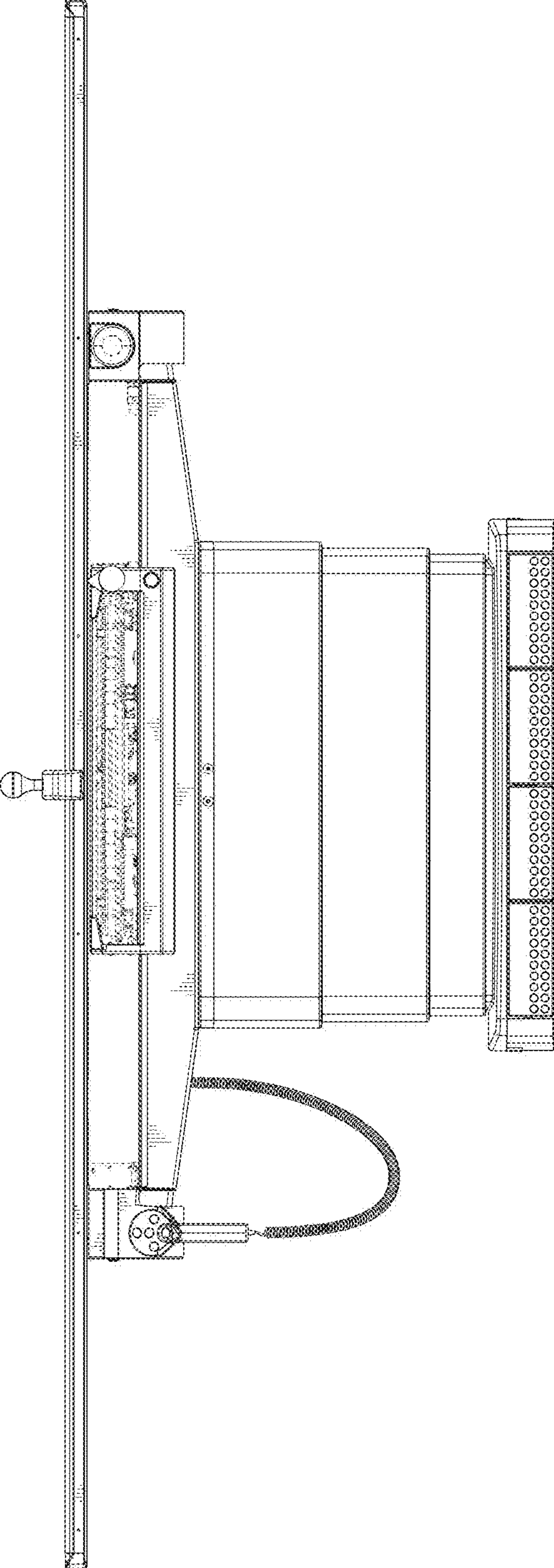


FIG. 6

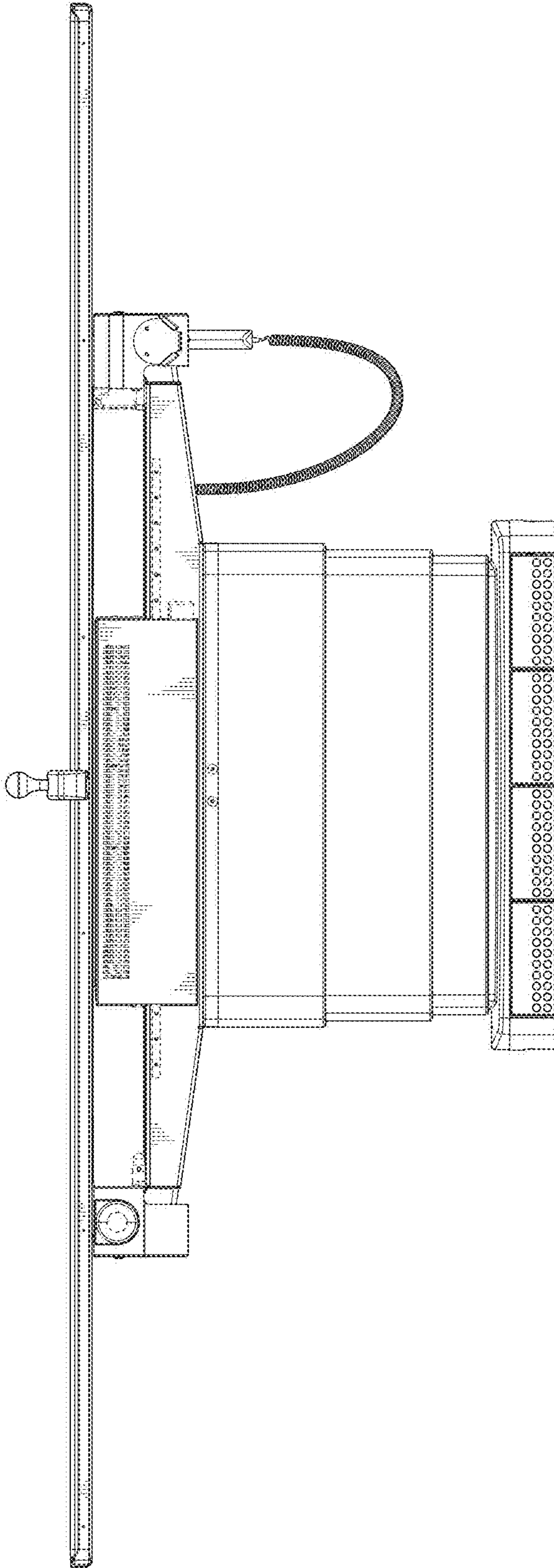


FIG. 7

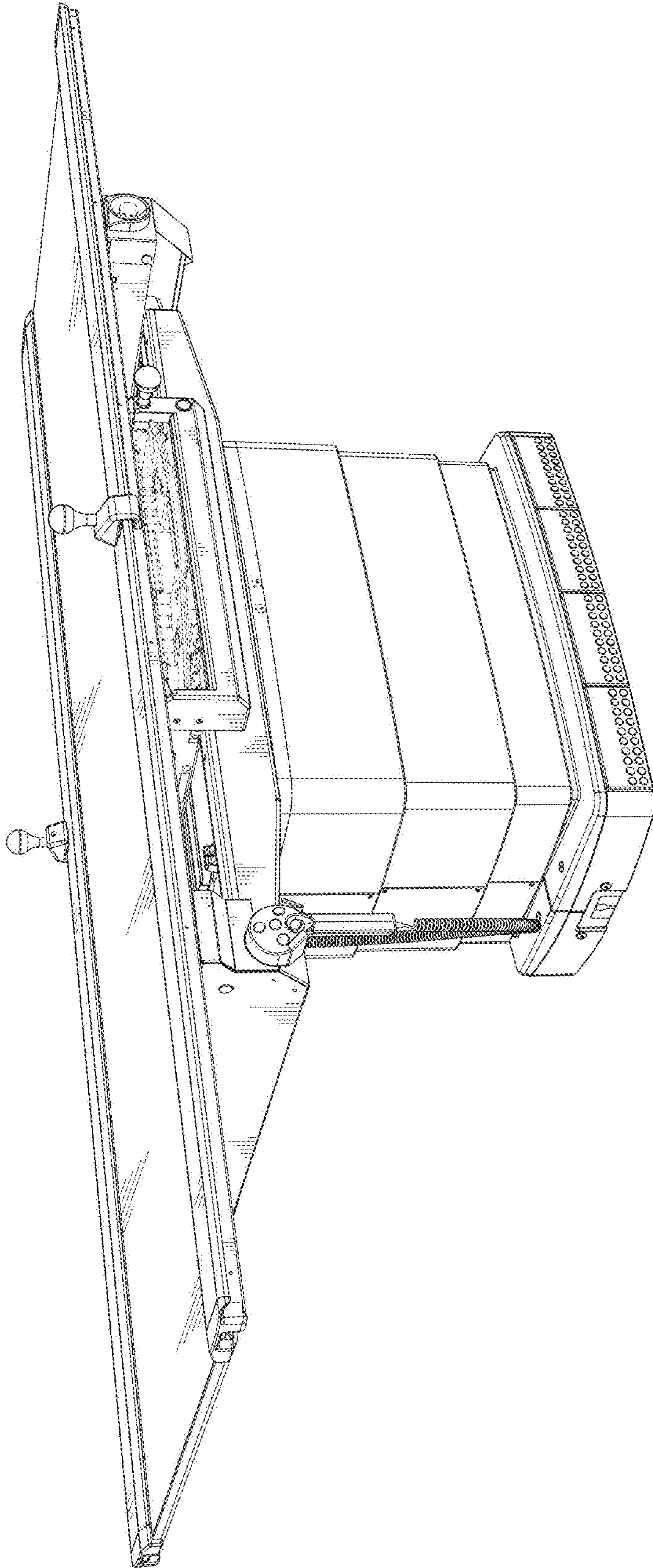


FIG. 8

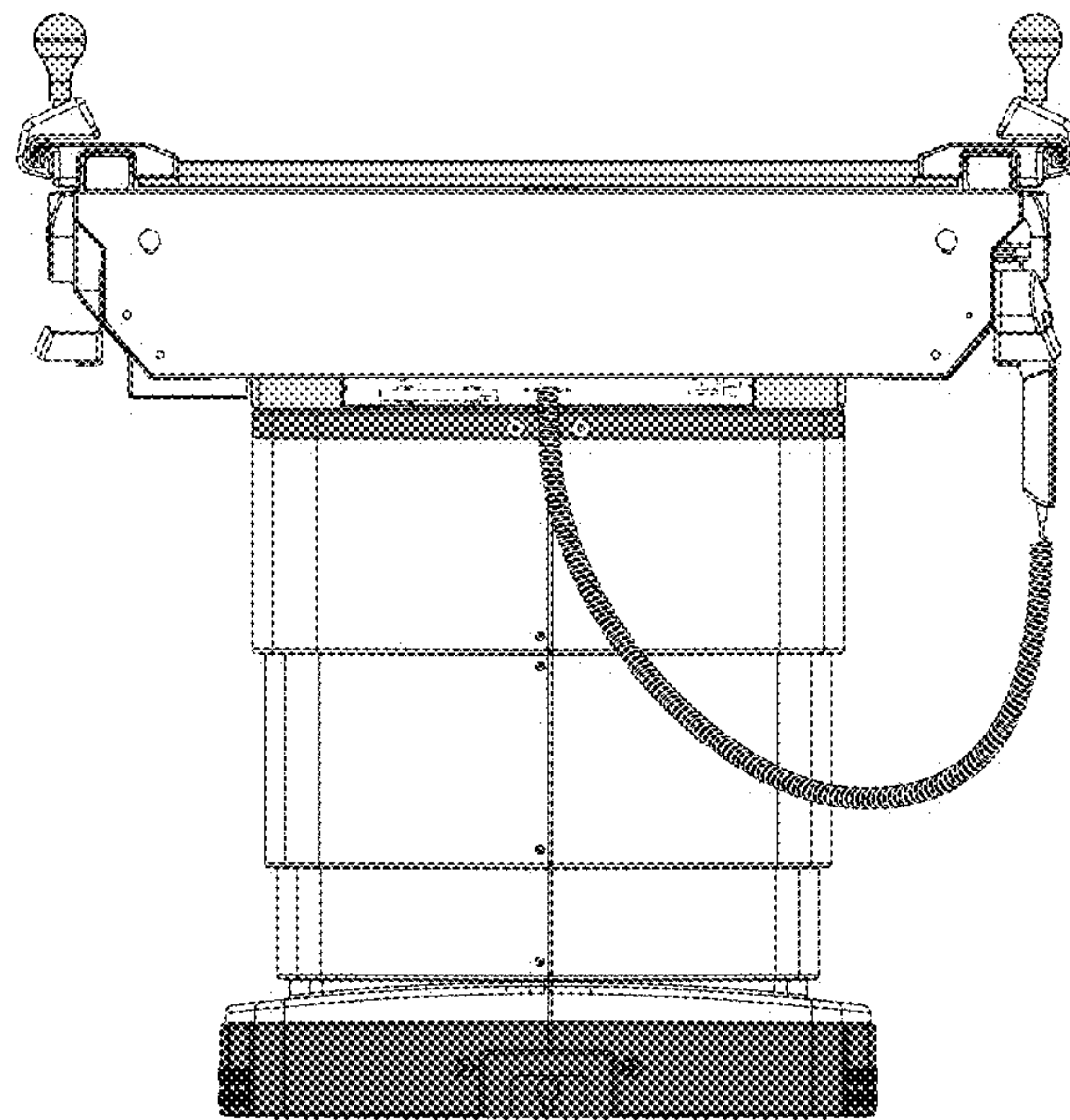


FIG. 9

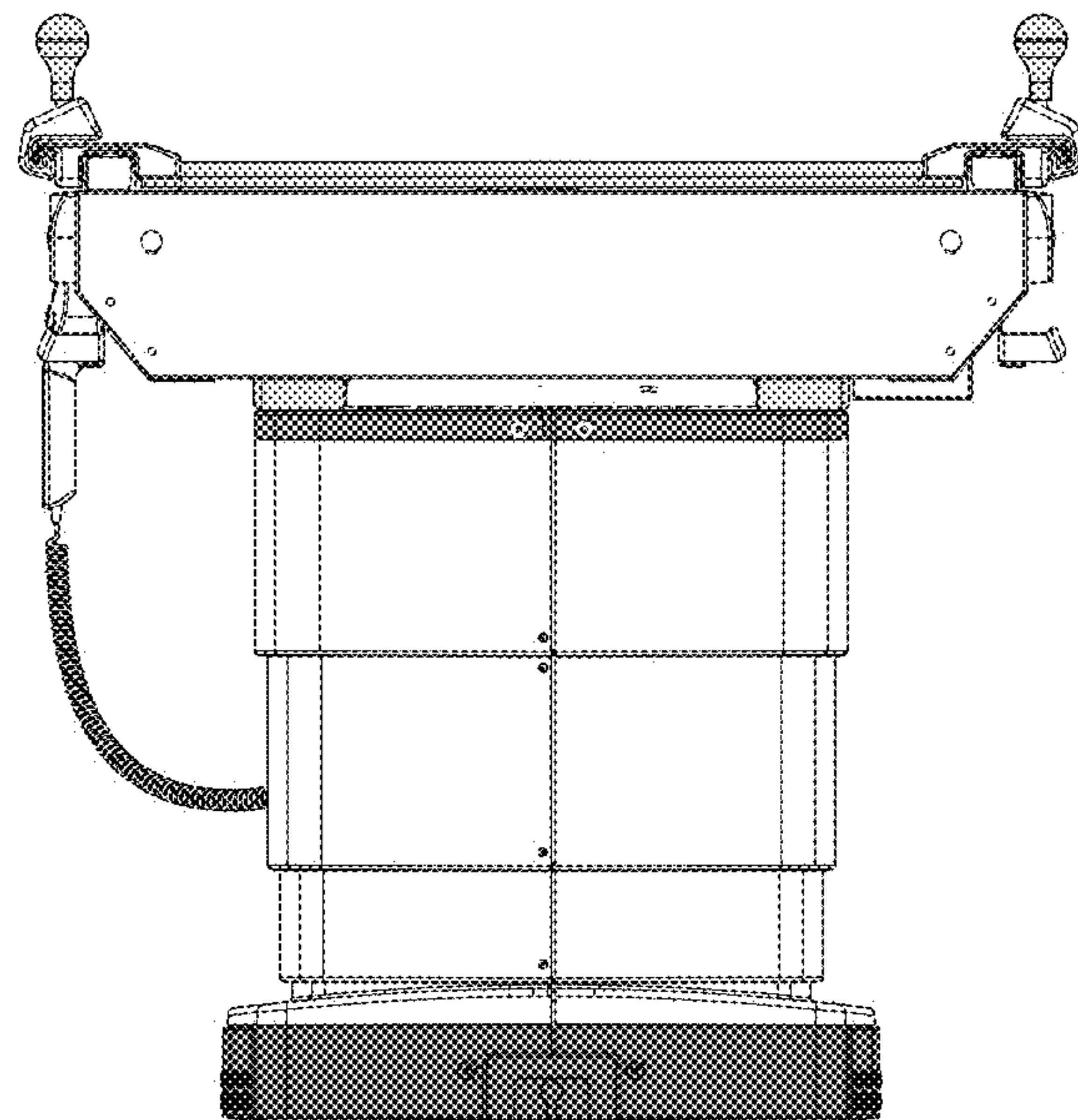


FIG. 10

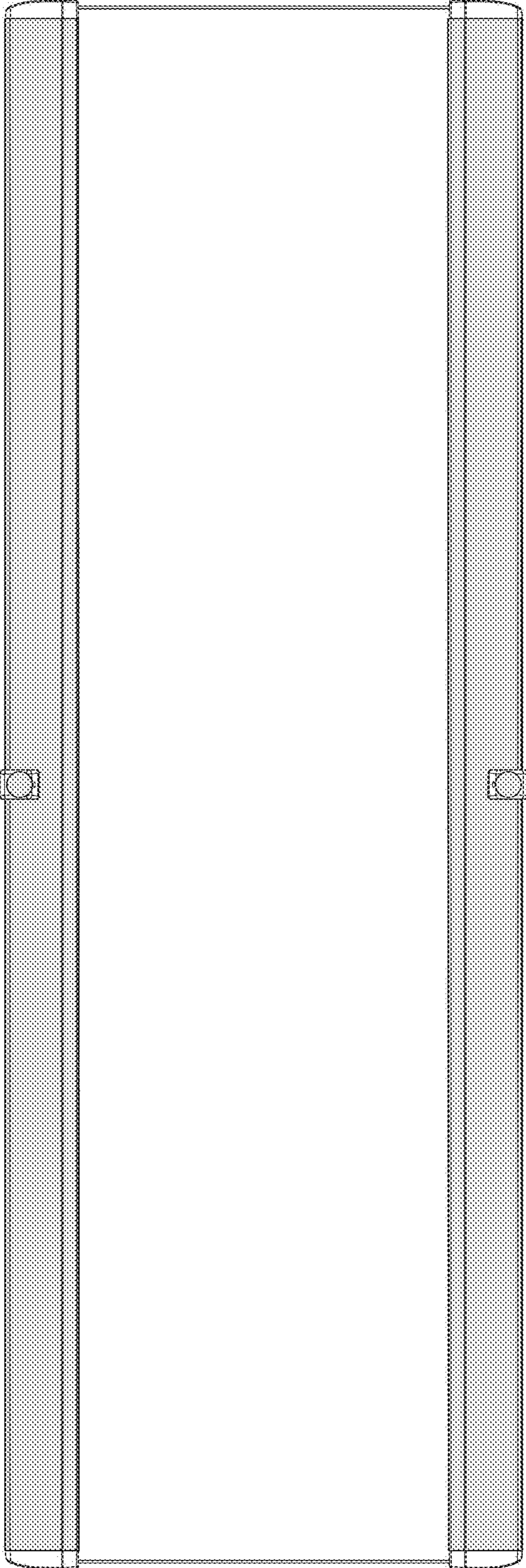


FIG. 11

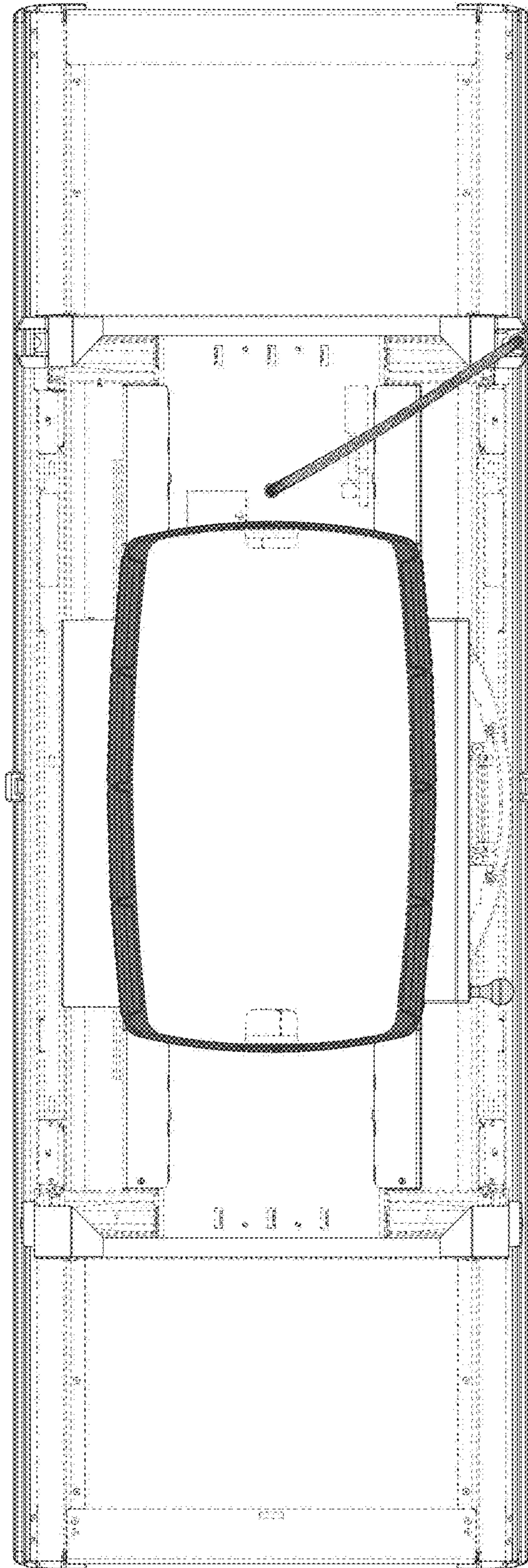


FIG. 12

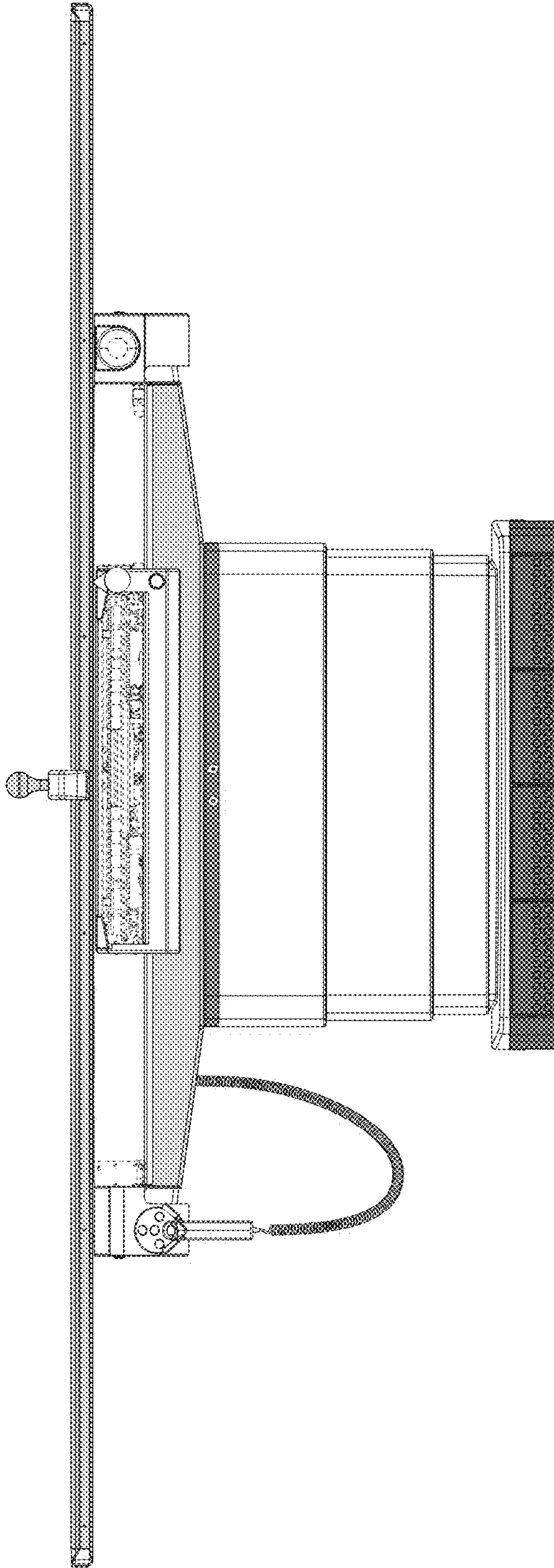


FIG. 13

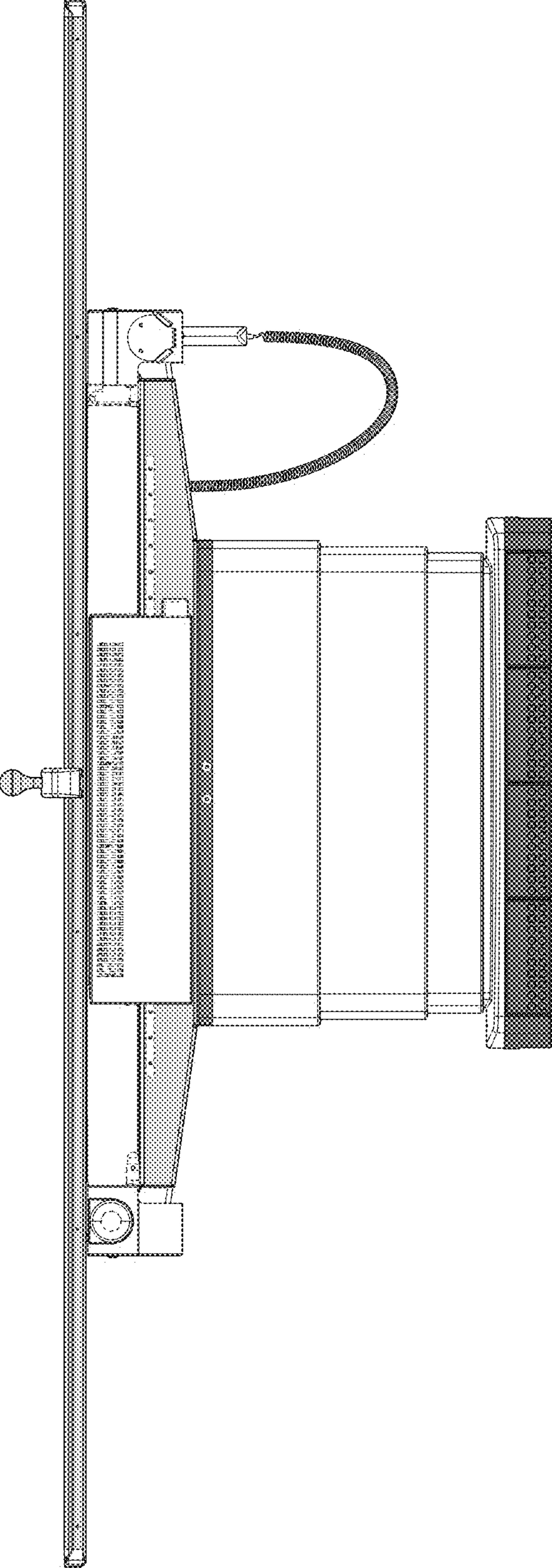


FIG. 14

