

US00D967959S

(12) **United States Design Patent** (10) **Patent No.:** **US D967,959 S**  
**Niver** (45) **Date of Patent:** **\*\* Oct. 25, 2022**

(54) **BONE PLATE**

FOREIGN PATENT DOCUMENTS

(71) Applicant: **Medline Industries, LP**, Northfield, IL (US)

DE 4343117 6/1995  
WO 2005018472 3/2005

(72) Inventor: **Ryan Niver**, Glenview, IL (US)

OTHER PUBLICATIONS

(73) Assignee: **Medline Industries, LP**, Northfield, IL (US)

OsteoMed, "ExtremiLock Foot Plating System," published prior to 2017.

(\*\*) Term: **15 Years**

(Continued)

(21) Appl. No.: **29/697,643**

Primary Examiner — Charles D Hanson

(22) Filed: **Jul. 10, 2019**

(74) Attorney, Agent, or Firm — Fitch, Even, Tabin & Flannery LLP

(51) **LOC (13) Cl.** ..... **24-03**

(52) **U.S. Cl.**  
USPC ..... **D24/155**

(57) **CLAIM**

(58) **Field of Classification Search**  
USPC ..... D24/155  
CPC ..... A61B 17/8061; A61B 17/7059; A61B 17/8052; A61B 17/8605; A61B 17/8085; A61B 17/809; A61B 17/8014; A61B 17/8033; A61B 17/8004; A61B 17/888; A61B 17/842; A61B 17/8023; A61B 17/8009; A61B 17/86; A61B 17/1739; A61B 17/8066; A61B 17/1671; A61B 17/1757; A61B 17/8071; A61B 17/176; A61B 2017/1782; A61B 2017/1775

The ornamental design for a bone plate, as shown and described.

See application file for complete search history.

**DESCRIPTION**

(56) **References Cited**

U.S. PATENT DOCUMENTS

5,709,686 A 1/1998 Talos  
6,454,769 B2 9/2002 Wagner  
6,821,278 B2 11/2004 Frigg  
6,955,677 B2 10/2005 Dahners  
D520,637 S \* 5/2006 Kay ..... D24/155  
7,309,340 B2 12/2007 Fallin  
7,955,364 B2 6/2011 Ziolo  
D648,027 S \* 11/2011 Vancelette ..... D24/155  
8,343,196 B2 1/2013 Schneider  
8,529,608 B2 9/2013 Terrill

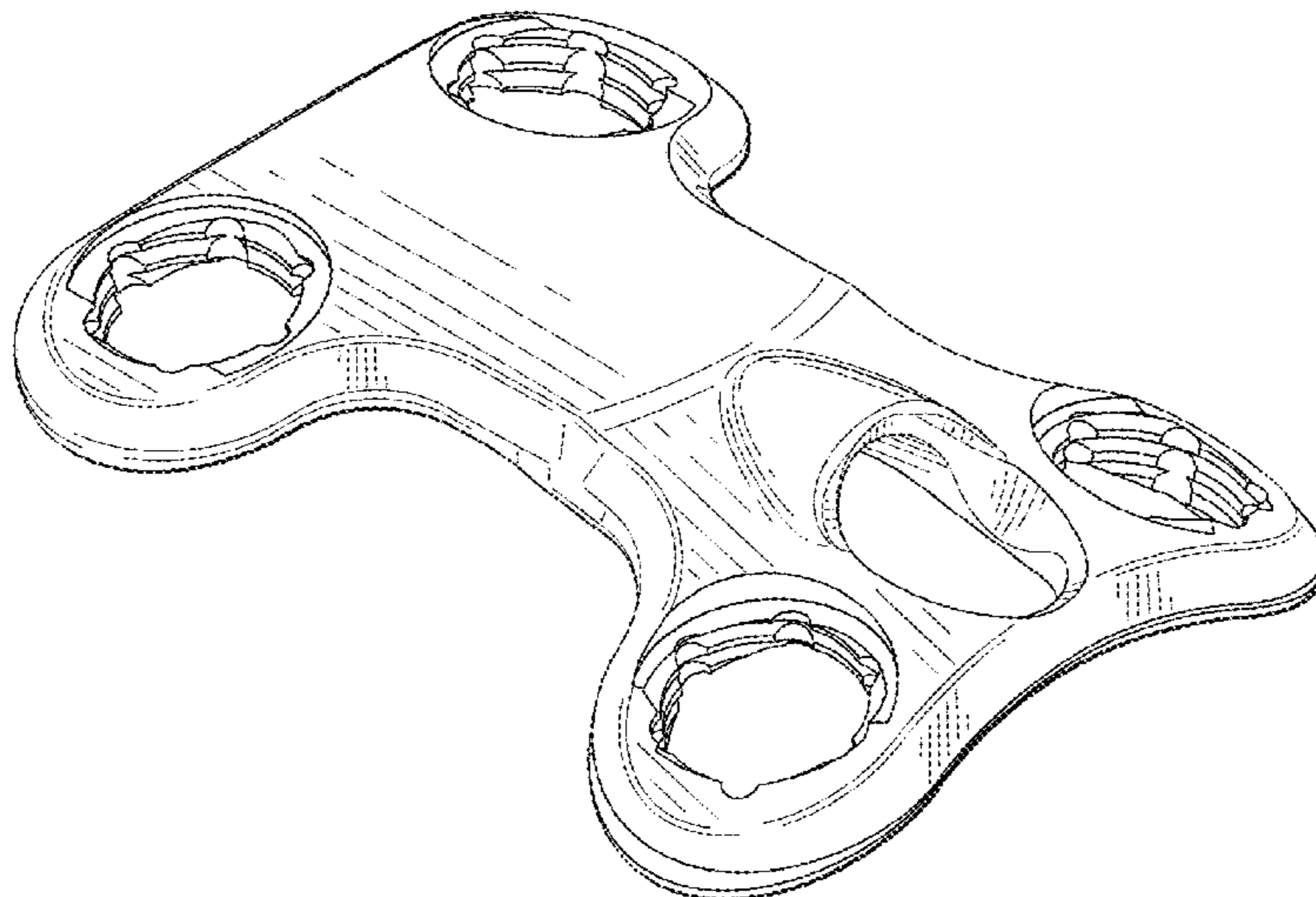
FIG. 1 is a top perspective view in accordance with a first embodiment of my new design;  
FIG. 2 is a bottom perspective view thereof;  
FIG. 3 is a top plan view thereof;  
FIG. 4 is a bottom plan view thereof;  
FIG. 5 is a left side elevational view thereof;  
FIG. 6 is a right side elevational view thereof;  
FIG. 7 is a front elevational view thereof; and,  
FIG. 8 is a rear elevational view thereof.

The broken lines depict unclaimed environmental subject matter and form no part of the claimed design.

It is contemplated that other embodiments of the design may include any part, portion, element, or any combination thereof shown in the figures. It is specifically contemplated that any and all solid lines and portions thereof may be converted to broken lines, whether in a subsequent divisional or continuation application and/or by amendment.

(Continued)

**1 Claim, 4 Drawing Sheets**



(56)

References Cited

U.S. PATENT DOCUMENTS

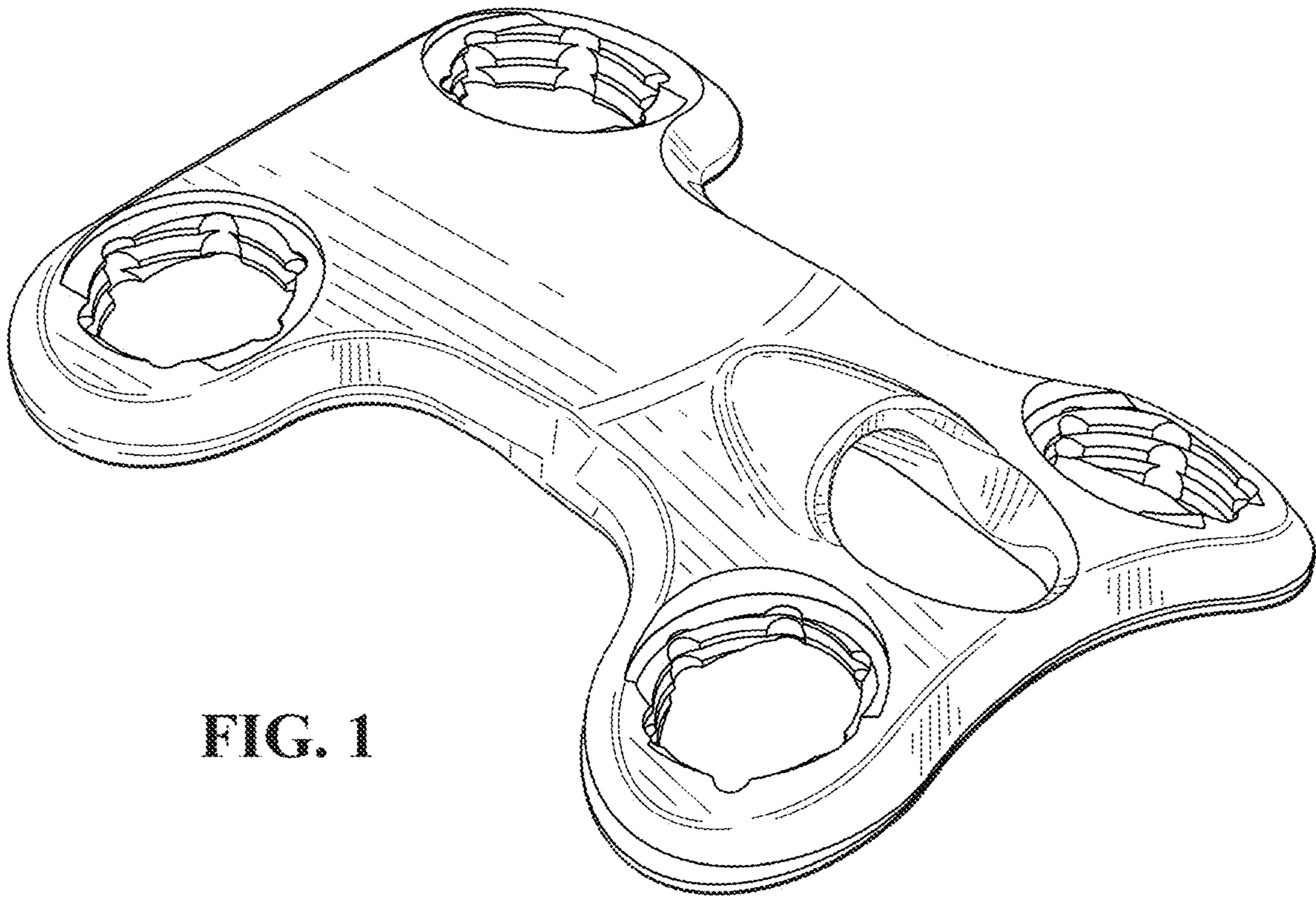
8,845,698 B2 9/2014 Schneider  
 8,852,245 B2 10/2014 Schneider  
 8,876,873 B2 11/2014 Schneider  
 8,906,076 B2 12/2014 Mocanu  
 8,940,026 B2 \* 1/2015 Hilse ..... A61B 17/8004  
 606/291  
 9,011,540 B1 4/2015 Castro  
 D740,943 S \* 10/2015 Neufeld ..... A61B 17/8061  
 D24/155  
 9,295,505 B2 3/2016 Schneider  
 9,351,776 B2 5/2016 Terrill  
 D765,844 S \* 9/2016 DaCosta ..... D24/155  
 D766,439 S \* 9/2016 DaCosta ..... D24/155  
 9,468,479 B2 10/2016 Marotta  
 9,486,264 B2 11/2016 Reiley  
 9,492,201 B2 11/2016 Reiley  
 D780,922 S \* 3/2017 Dacosta ..... D24/155  
 D780,926 S \* 3/2017 DaCosta ..... D24/155  
 9,662,157 B2 5/2017 Schneider  
 9,763,716 B2 9/2017 Terrill  
 9,839,448 B2 12/2017 Reckling

9,936,983 B2 4/2018 Mesiwala  
 9,949,843 B2 4/2018 Reiley  
 10,166,033 B2 1/2019 Reiley  
 10,201,427 B2 2/2019 Mauldin  
 10,245,085 B2 4/2019 Terrill  
 10,245,086 B2 4/2019 Treace  
 10,245,088 B2 4/2019 Dayton  
 10,363,140 B2 7/2019 Mauldin  
 10,376,206 B2 8/2019 Sand  
 D869,657 S \* 12/2019 Hollis ..... D24/155  
 D891,619 S \* 7/2020 Hollis ..... D24/155  
 D932,012 S \* 9/2021 DaCosta ..... D24/155  
 2008/0051786 A1 \* 2/2008 Jensen ..... A61B 17/8057  
 606/86 A  
 2009/0210010 A1 \* 8/2009 Strnad ..... A61B 17/8014  
 606/280  
 2011/0009866 A1 1/2011 Johnson  
 2012/0123484 A1 5/2012 Lietz

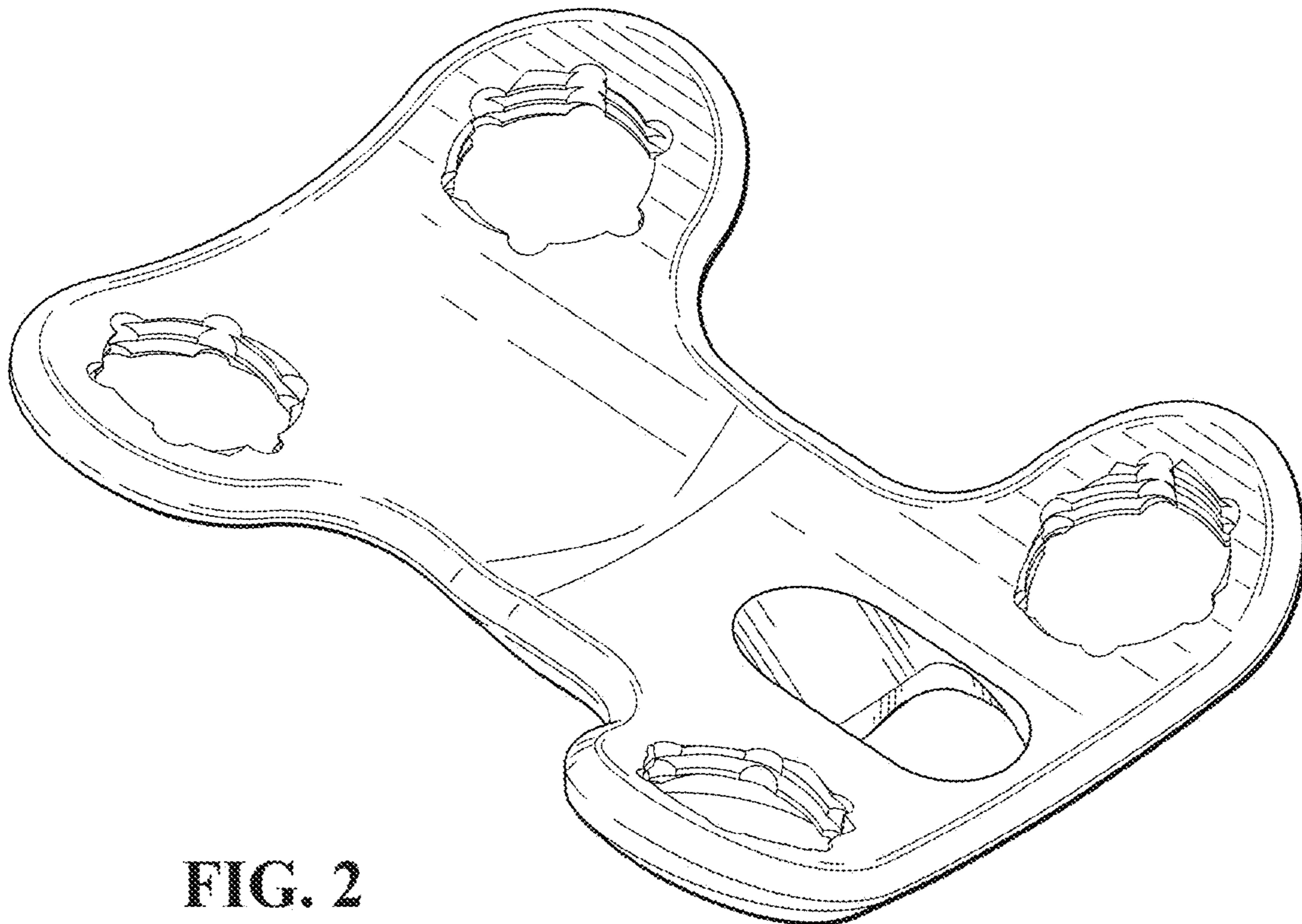
OTHER PUBLICATIONS

Stryker, "Stryker Foot & Ankle Plating Systems," Operative Technique Anchorage 2 CP, 2016.

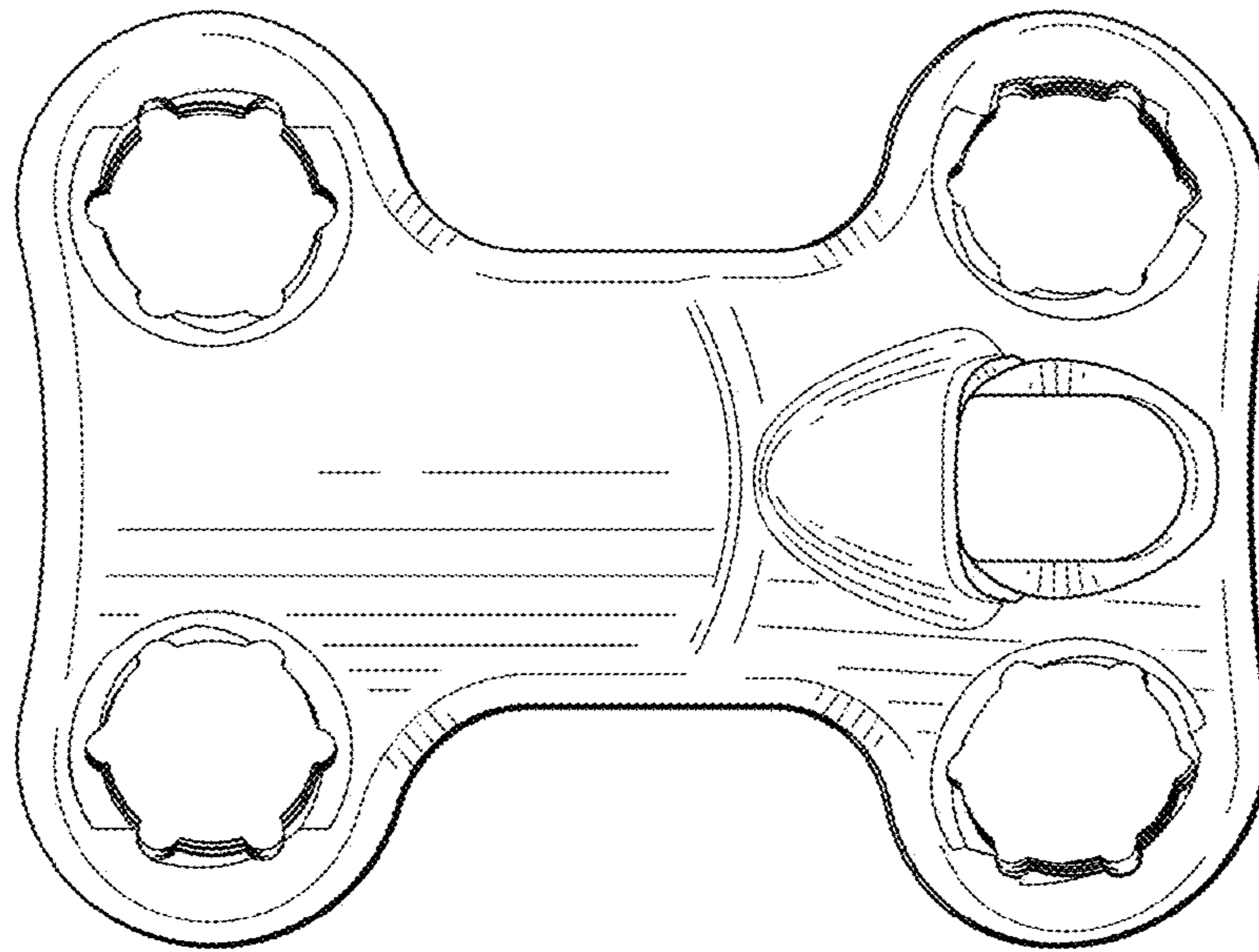
\* cited by examiner



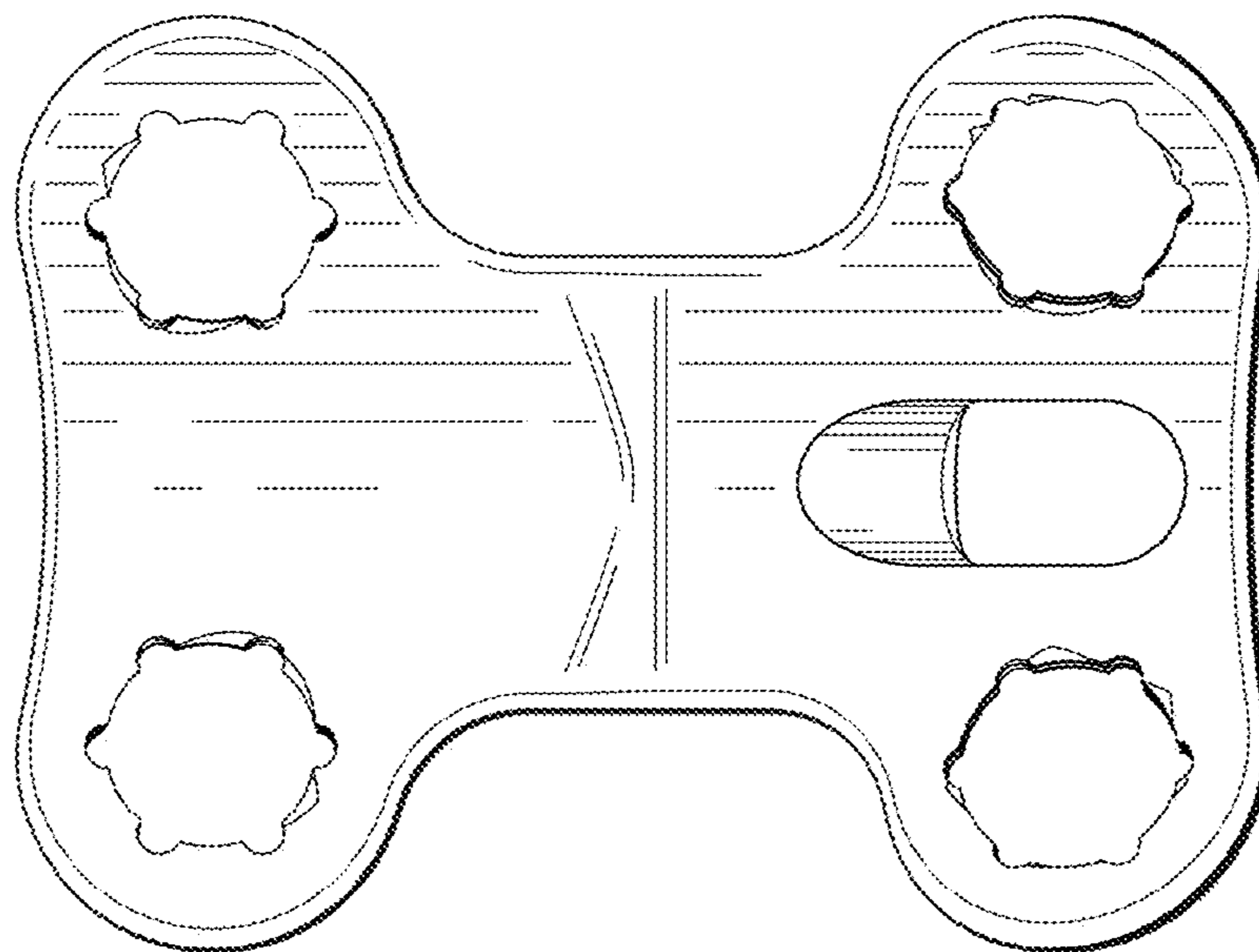
**FIG. 1**



**FIG. 2**



**FIG. 3**



**FIG. 4**

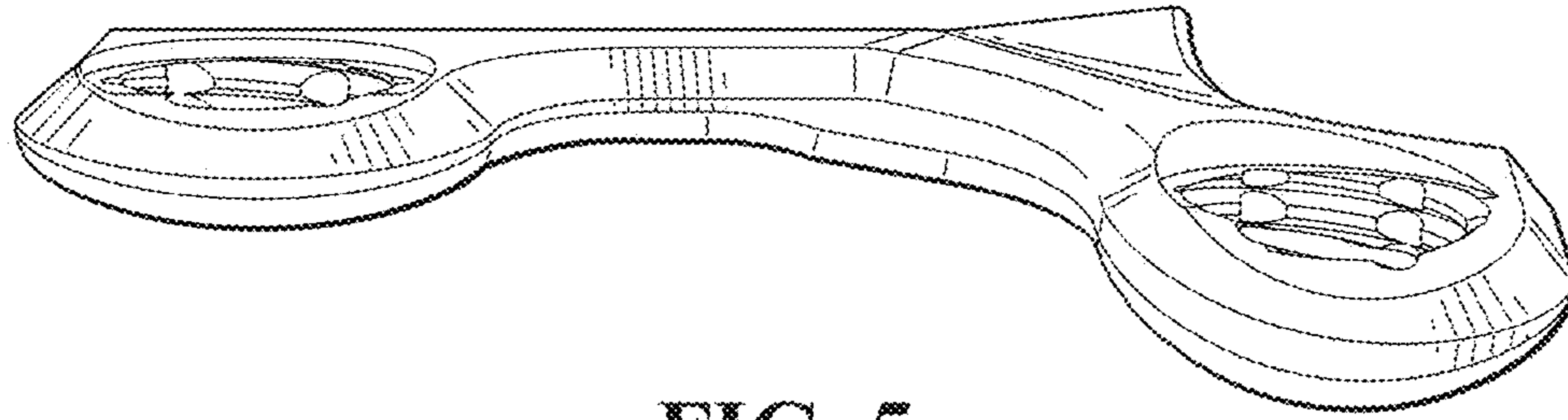


FIG. 5

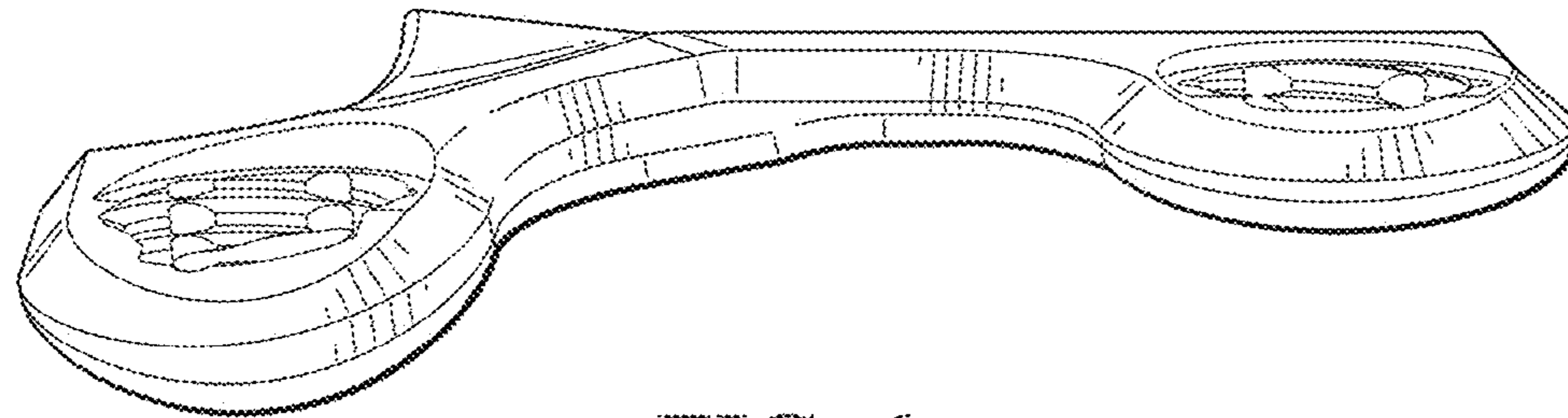


FIG. 6

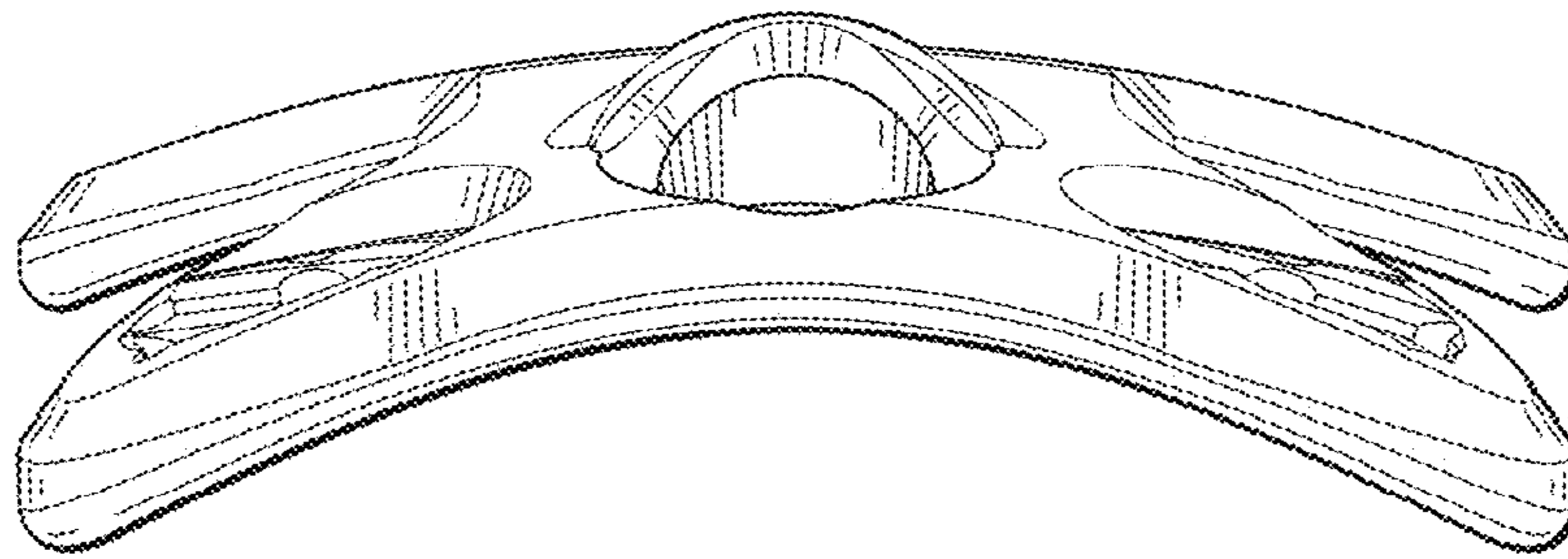


FIG. 7

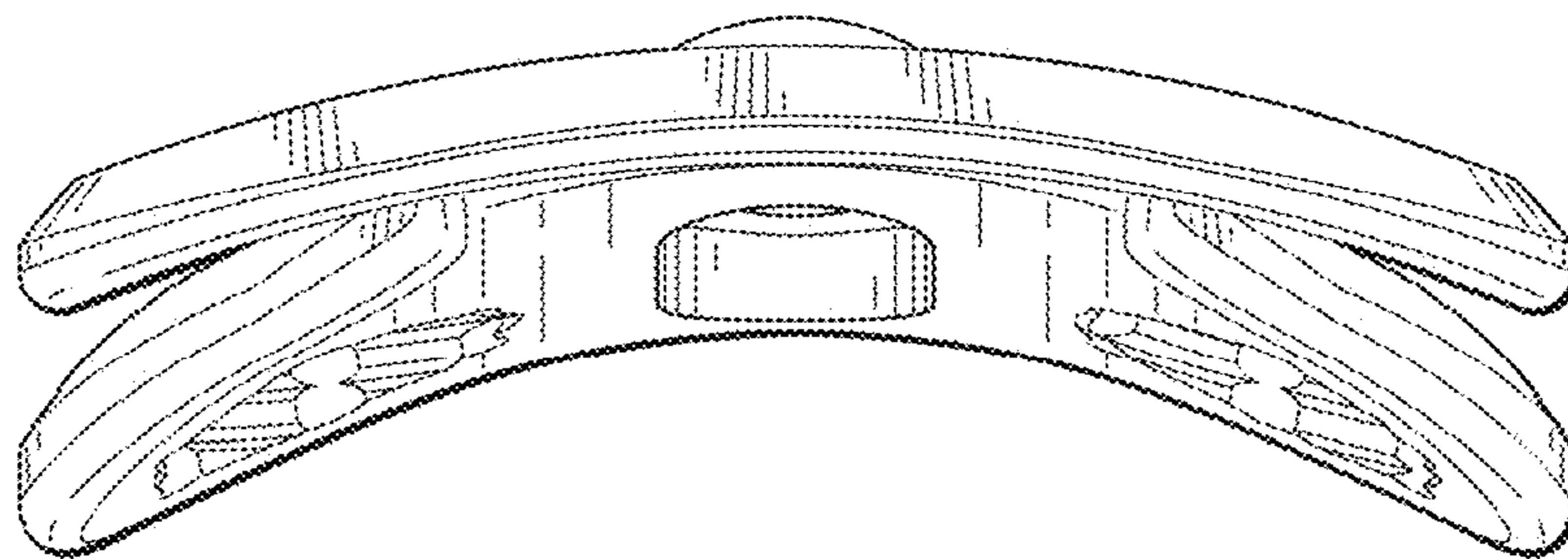


FIG. 8