



US00D967957S

(12) **United States Design Patent** (10) **Patent No.:** **US D967,957 S**
Carver (45) **Date of Patent:** **** Oct. 25, 2022**

(54) **SKIN GROWTH EXCISION APPARATUS**
(71) Applicant: **Tag Off LLC**, Wheat Ridge, CO (US)
(72) Inventor: **Alan R. Carver**, Erie, CO (US)
(73) Assignee: **Tag Off LLC**, Wheat Ridge, CO (US)
(**) Term: **15 Years**
(21) Appl. No.: **29/809,267**
(22) Filed: **Sep. 27, 2021**

4,257,419 A 3/1981 Goltner et al.
4,374,523 A 2/1983 Yoon
4,450,845 A 5/1984 Engel
4,869,268 A 9/1989 Yoon
4,924,864 A 5/1990 Danzig
5,026,379 A 6/1991 Yoon
5,158,563 A 10/1992 Cosman
5,578,047 A 11/1996 Taylor
5,702,356 A 12/1997 Hathman
6,024,742 A 2/2000 Tu et al.
6,241,740 B1 6/2001 Davis et al.
6,527,786 B1 3/2003 Davis et al.
7,513,902 B2 4/2009 Banbury et al.

(Continued)

Related U.S. Application Data

(63) Continuation of application No. 16/804,931, filed on Feb. 28, 2020.
(51) **LOC (13) Cl.** **24-02**
(52) **U.S. Cl.**
USPC **D24/146**
(58) **Field of Classification Search**
USPC D24/100, 105, 107, 108, 110, 111, 112, D24/113, 114, 115, 116, 117, 118, 119, D24/140, 141, 144, 146, 147, 223, 224, D24/228; D28/7
CPC A61F 11/006; A61F 13/38; A61F 13/15; A61F 13/64; A61F 13/467; A61F 13/5611; A61F 13/4704; A61F 13/5616; A61F 13/4758; A61F 13/472; A61B 2017/246; A61B 17/1615; A61B 17/1697; A61B 2018/0231; A61M 2210/0662
See application file for complete search history.

OTHER PUBLICATIONS

U.S. Appl. No. 15/436,799, filed Feb. 18, 2017, Carver.
(Continued)

Primary Examiner — Samantha Q Lawrence
(74) *Attorney, Agent, or Firm* — Craig R. Miles; CR Miles P.C.

(57) **CLAIM**

The ornamental design for a skin growth excision apparatus, as shown and described.

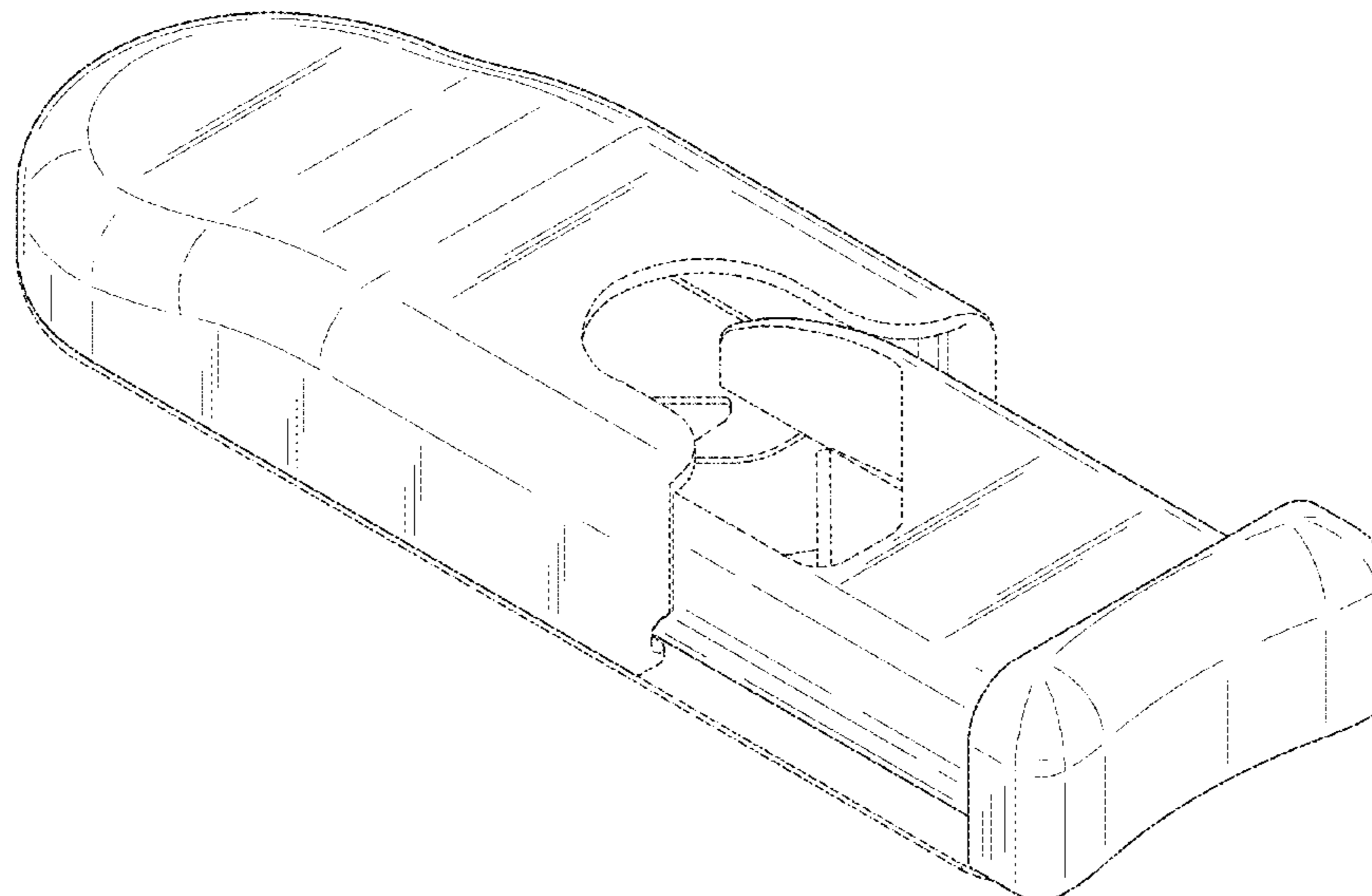
DESCRIPTION

FIG. 1 is an isometric view of a skin growth excision apparatus showing my new design;
FIG. 2 is a first side elevation view thereof;
FIG. 3 is a second side elevation view thereof;
FIG. 4 is a front elevation view thereof;
FIG. 5 is a rear elevation view thereof;
FIG. 6 is a top plan view thereof; and,
FIG. 7 is a bottom plan view thereof.
The broken lines shown are included for the purpose of illustrating the unclaimed portions of the article and form no part of the claim.

(56) **References Cited**
U.S. PATENT DOCUMENTS

2,301,622 A 11/1942 Hambrecht
3,270,745 A 9/1966 Wood
3,358,682 A 12/1967 Preston
3,382,873 A 5/1968 Banich et al.
3,760,810 A 9/1973 Van Hoorn
4,226,239 A 10/1980 Polk et al.

1 Claim, 3 Drawing Sheets



(56)

References Cited

U.S. PATENT DOCUMENTS

8,128,637 B2 3/2012 Sundstrom
 D673,265 S * 12/2012 Nonnemacher D24/119
 8,568,426 B2 10/2013 Straehnz et al.
 9,023,064 B2 5/2015 Vermeersch
 D742,506 S * 11/2015 Burke D24/119
 RE45,921 E 3/2016 Alferness et al.
 D815,734 S * 4/2018 Burke D24/119
 D872,299 S * 1/2020 Trump D24/224
 D893,046 S * 8/2020 Jones D9/741
 D901,036 S * 11/2020 Wahba D24/224
 D901,711 S * 11/2020 Galen D24/224
 D919,087 S * 5/2021 Schifano D24/135
 D922,568 S * 6/2021 Schifano D24/113
 2004/0215217 A1 10/2004 Banbury et al.
 2005/0085751 A1 4/2005 Daskal et al.
 2005/0149063 A1 7/2005 Young et al.
 2005/0277959 A1 12/2005 Cosgrove et al.
 2006/0259042 A1 11/2006 Ali Hassanien

2006/0282104 A1 12/2006 Williamson, IV et al.
 2007/0276353 A1 11/2007 Sundstrom
 2009/0221877 A1 9/2009 Woods
 2010/0114131 A1 5/2010 Rotunda
 2011/0218552 A1 9/2011 Hoffman et al.
 2012/0330333 A1 12/2012 Sundstrom et al.
 2013/0123806 A1 5/2013 Howlett et al.
 2013/0150796 A1 6/2013 Souza et al.
 2016/0143654 A1 5/2016 Zantop
 2017/0105877 A1 4/2017 Buteux et al.
 2017/0273705 A1 9/2017 Zallum et al.

OTHER PUBLICATIONS

U.S. Appl. No. 15/436,799; Office Action dated May 29, 2019.
 U.S. Appl. No. 15/436,799; Office Action dated Sep. 24, 2019.
 PCT International Patent Application No. PCT/US21/20125, International Search Report and Written Opinion of the International Searching Authority dated May 6, 2021, 14 pages.

* cited by examiner

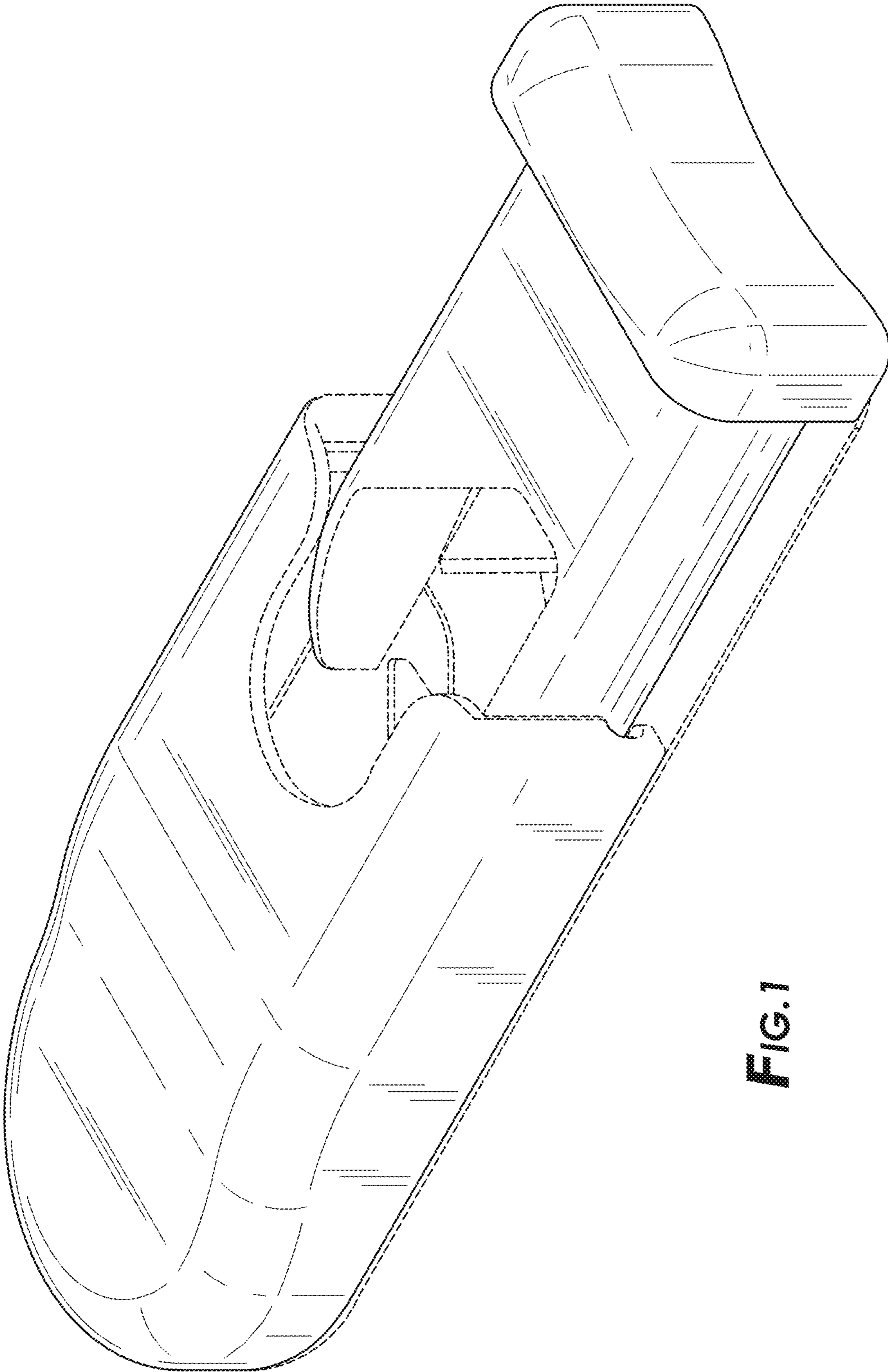


FIG. 1

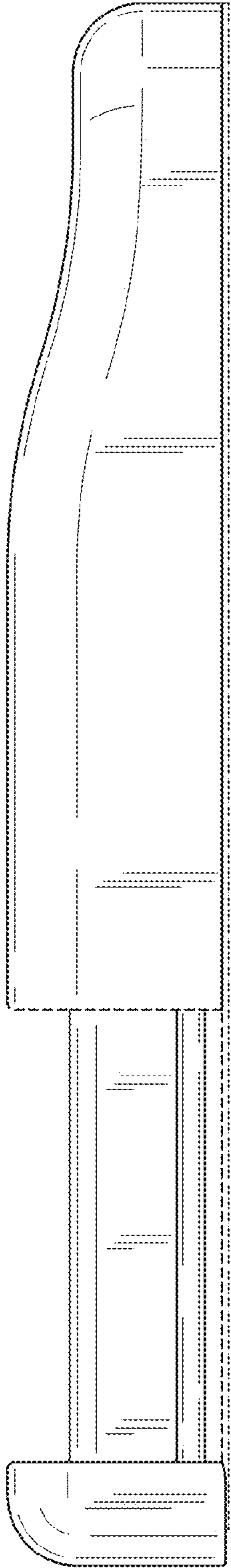


FIG. 2

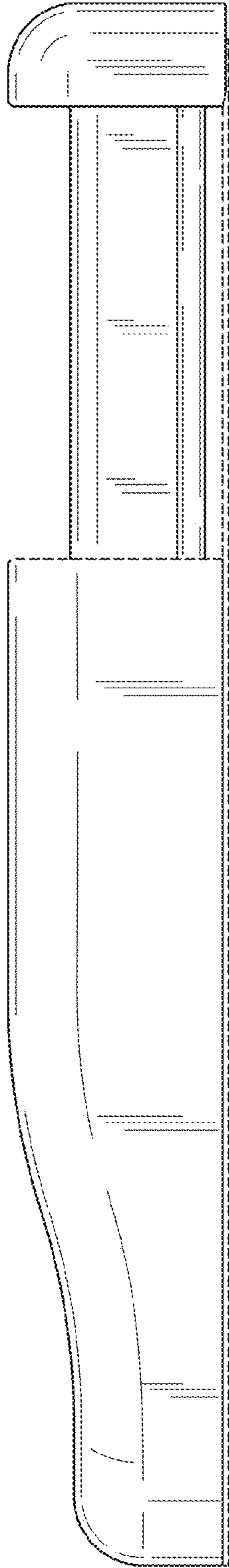


FIG. 3

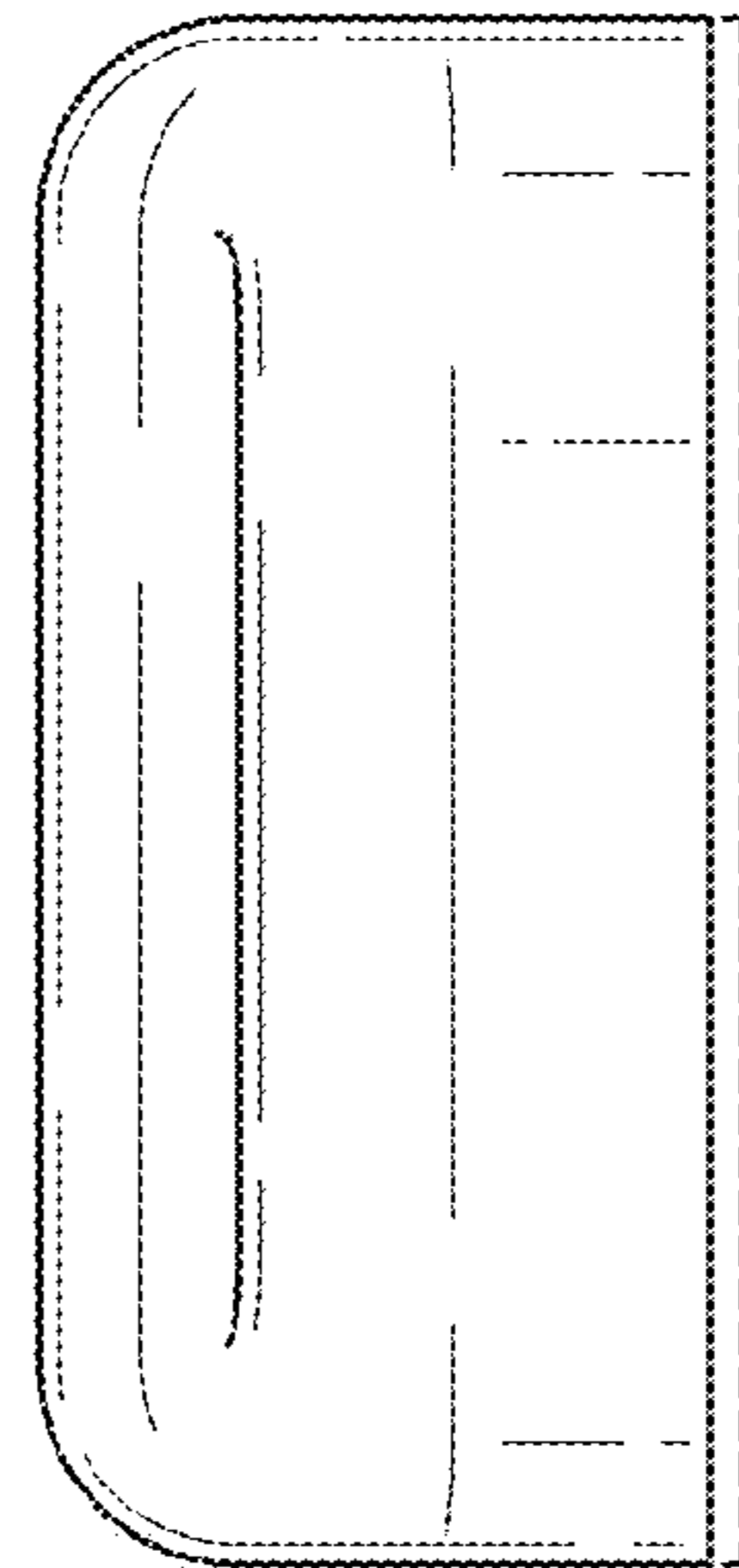


FIG. 4

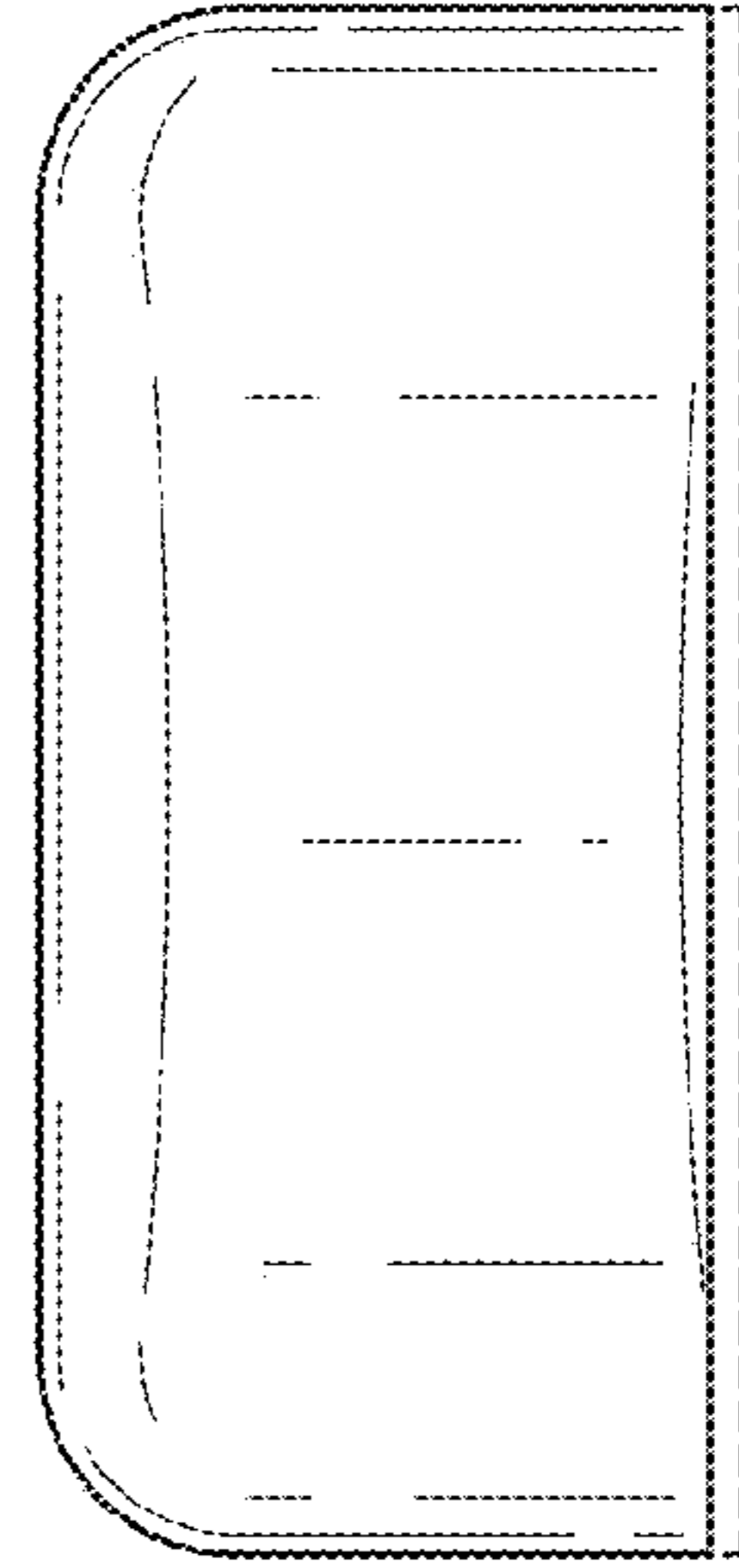


FIG. 5

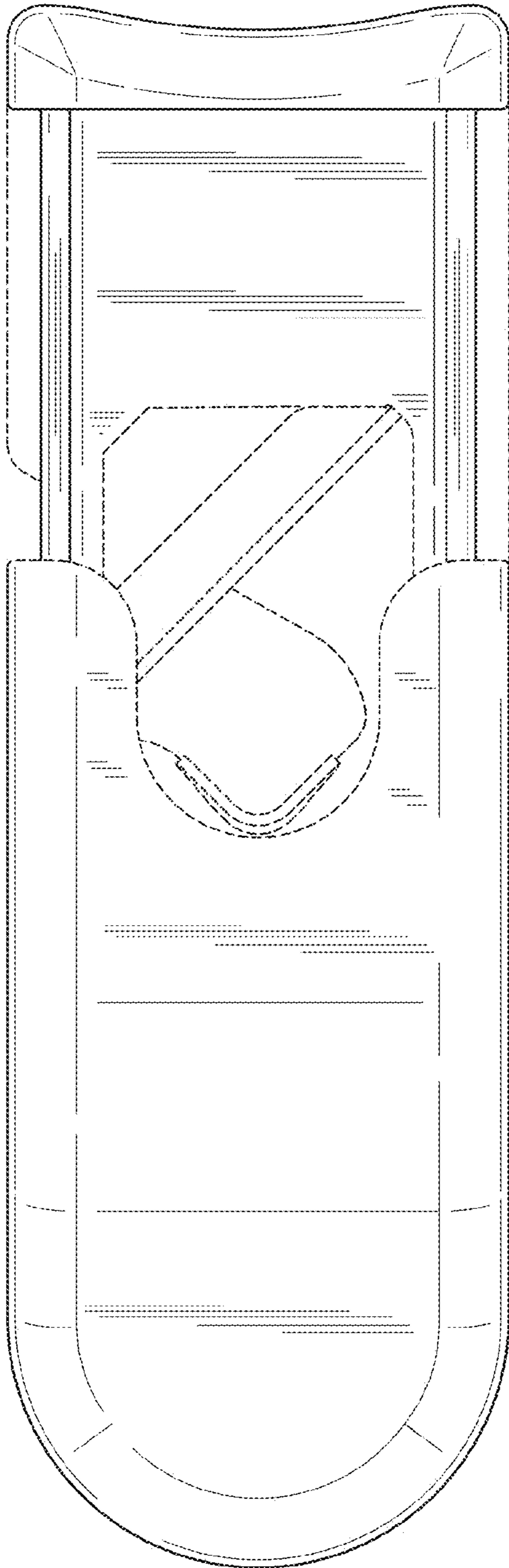


FIG. 6

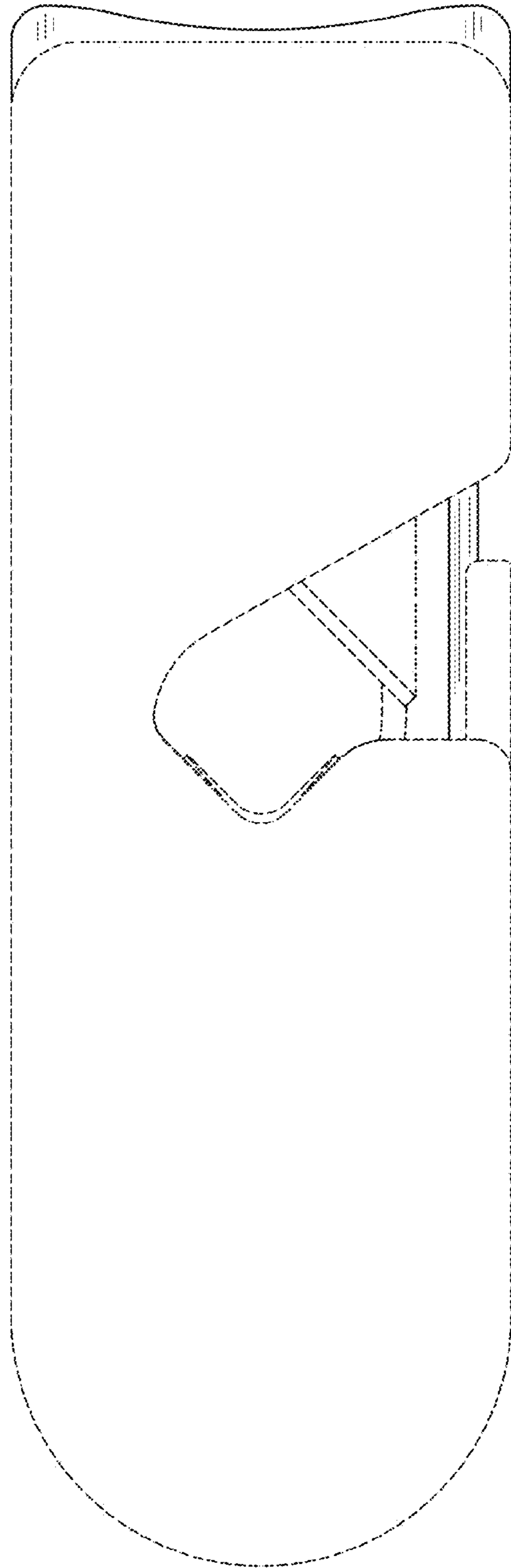


FIG. 7