



US00D967956S

(12) **United States Design Patent** (10) **Patent No.:** **US D967,956 S**
Edwards et al. (45) **Date of Patent:** **** Oct. 25, 2022**

(54) **VALVE ASSEMBLY**

(71) Applicant: **FISHER & PAYKEL HEALTHCARE LIMITED**, Auckland (NZ)

(72) Inventors: **Taylor James Edwards**, Auckland (NZ); **Arjen David Kat**, Auckland (NZ); **Hamish Adrian Osborne**, Auckland (NZ); **Bruce Gordon Holyoake**, Auckland (NZ); **Rhys John Evans**, Auckland (NZ)

(73) Assignee: **Fisher & Paykel Healthcare Limited**, Auckland (NZ)

(**) Term: **15 Years**

(21) Appl. No.: **29/710,348**

(22) Filed: **Oct. 22, 2019**

(51) **LOC (13) Cl.** **24-02**

(52) **U.S. Cl.**
USPC **D24/129**

(58) **Field of Classification Search**
USPC D23/233, 235; D24/110.6, 110.1, 110.5, D24/129
CPC .. A61M 16/208; A61M 16/20; A61M 16/209; A61M 16/06; A61M 16/201; A61M 16/204; A61M 16/16; A61M 39/22; A62B 18/10; A62B 9/02
See application file for complete search history.

(56) **References Cited**

U.S. PATENT DOCUMENTS

D271,421 S * 11/1983 Fetterman 137/556
D300,361 S * 3/1989 Tokarz D24/129

(Continued)

Primary Examiner — Gino Colan

(74) *Attorney, Agent, or Firm* — Knobbe, Martens, Olson & Bear, LLP

(57) **CLAIM**

The ornamental design for a valve assembly, as shown and described.

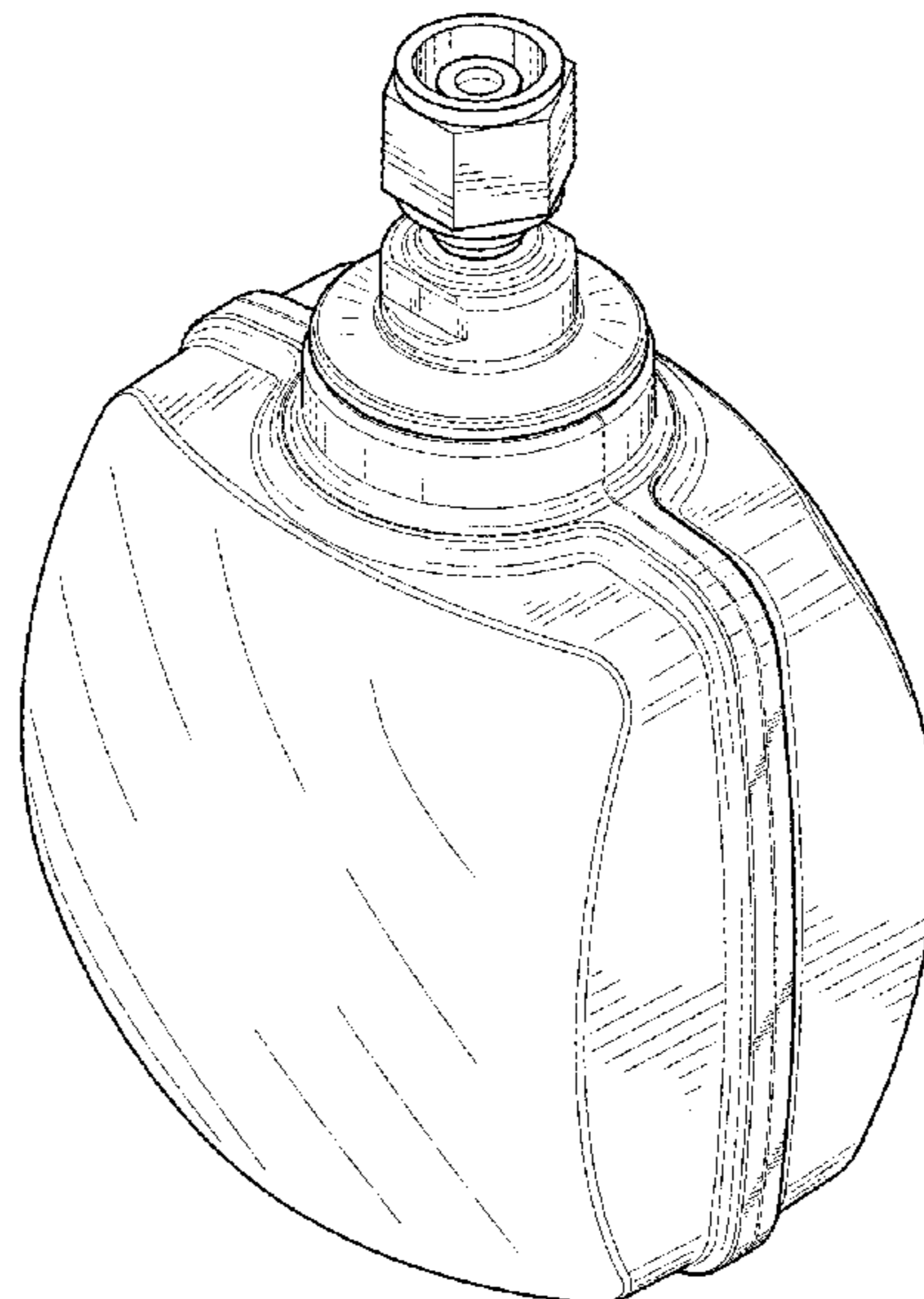
DESCRIPTION

FIG. 1 is a top, front, and right side perspective view of a valve assembly embodying our new design.
FIG. 2 is a front view thereof.
FIG. 3 is a rear view thereof.
FIG. 4 is a right side view thereof.
FIG. 5 is a left side view thereof.
FIG. 6 is a top view thereof.
FIG. 7 is a bottom view thereof.
FIG. 8 is a top, front, and right side perspective view of a valve assembly embodying our new design.
FIG. 9 is a front view thereof.
FIG. 10 is a rear view thereof.
FIG. 11 is a right side view thereof.
FIG. 12 is a left side view thereof.
FIG. 13 is a top view thereof.
FIG. 14 is a bottom view thereof.
FIG. 15 is a top, front, right side perspective view of a valve assembly embodying our new design.
FIG. 16 is a front view thereof.
FIG. 17 is a rear view thereof.
FIG. 18 is a right side view thereof.
FIG. 19 is a left side view thereof.
FIG. 20 is a top view thereof; and,
FIG. 21 is a bottom view thereof.

The broken lines shown in the figures are for the purpose of illustrating portions of the valve assembly and form no part of the claimed design.

The references to “left,” “right,” “front,” “rear,” “top,” and “bottom” in the figure descriptions are not meant to require certain in-use orientation; the valve assemblies, valve housings, connectors with conduit, and connectors according to the claimed design may be used in any orientation.

1 Claim, 21 Drawing Sheets



(56)

References Cited

U.S. PATENT DOCUMENTS

7,806,139 B2 * 10/2010 Packham A61M 39/26
137/614.05
D630,320 S * 1/2011 Lombardi, III D24/129
D634,840 S * 3/2011 Lombardi, III D24/129
D712,537 S * 9/2014 Lombardi D24/129
D928,925 S * 8/2021 Lei D23/262

* cited by examiner

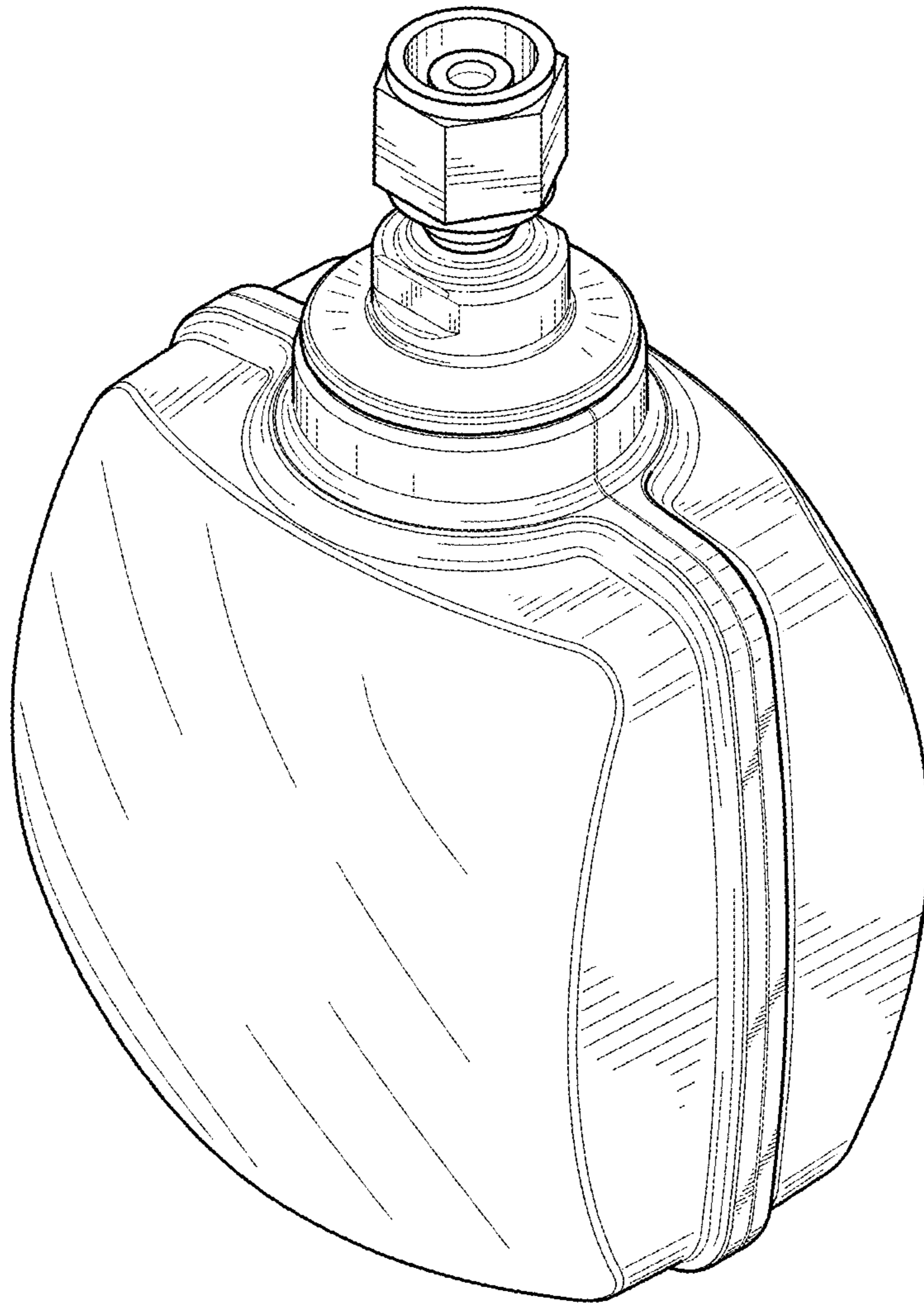


FIG. 1

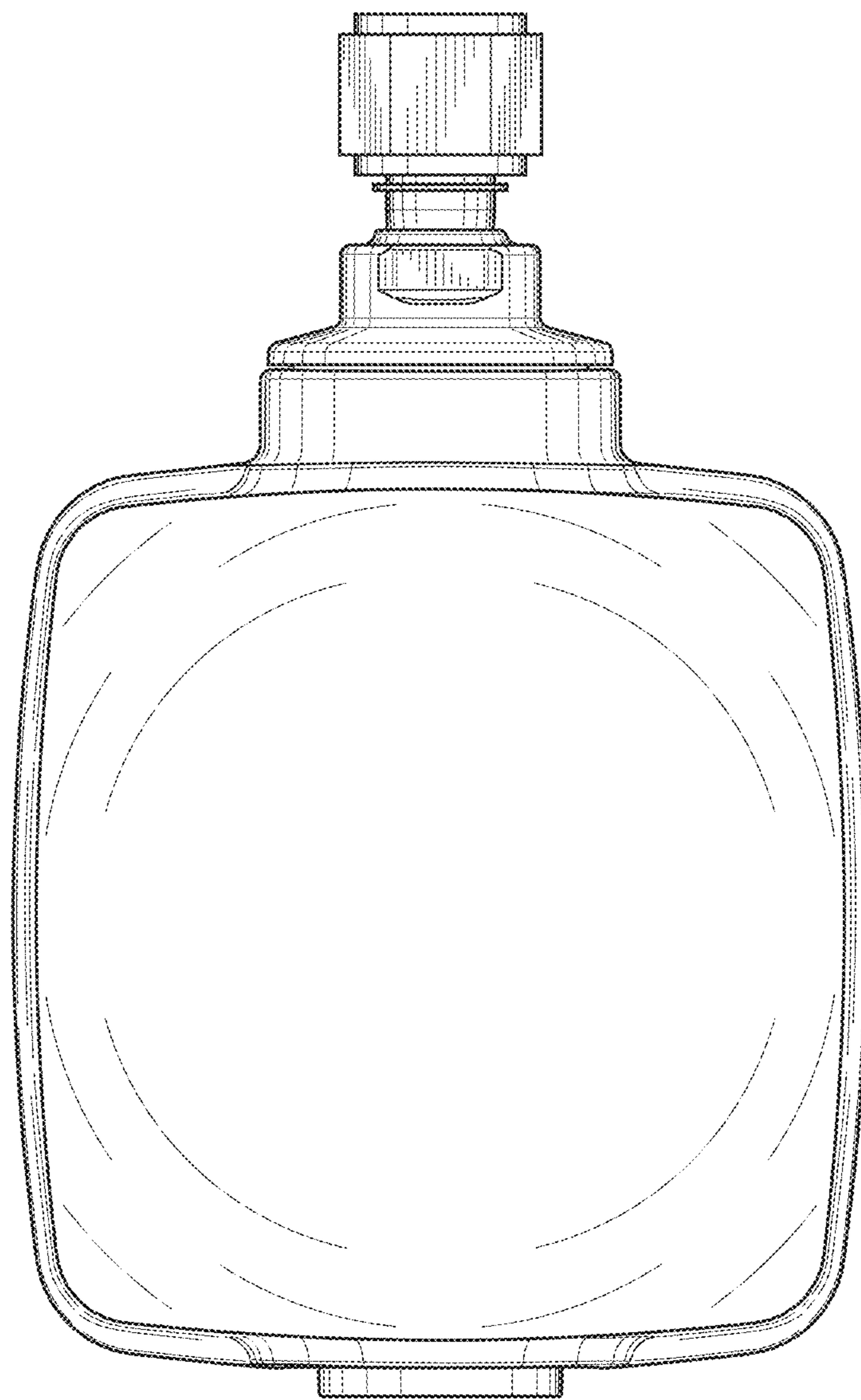


FIG. 2

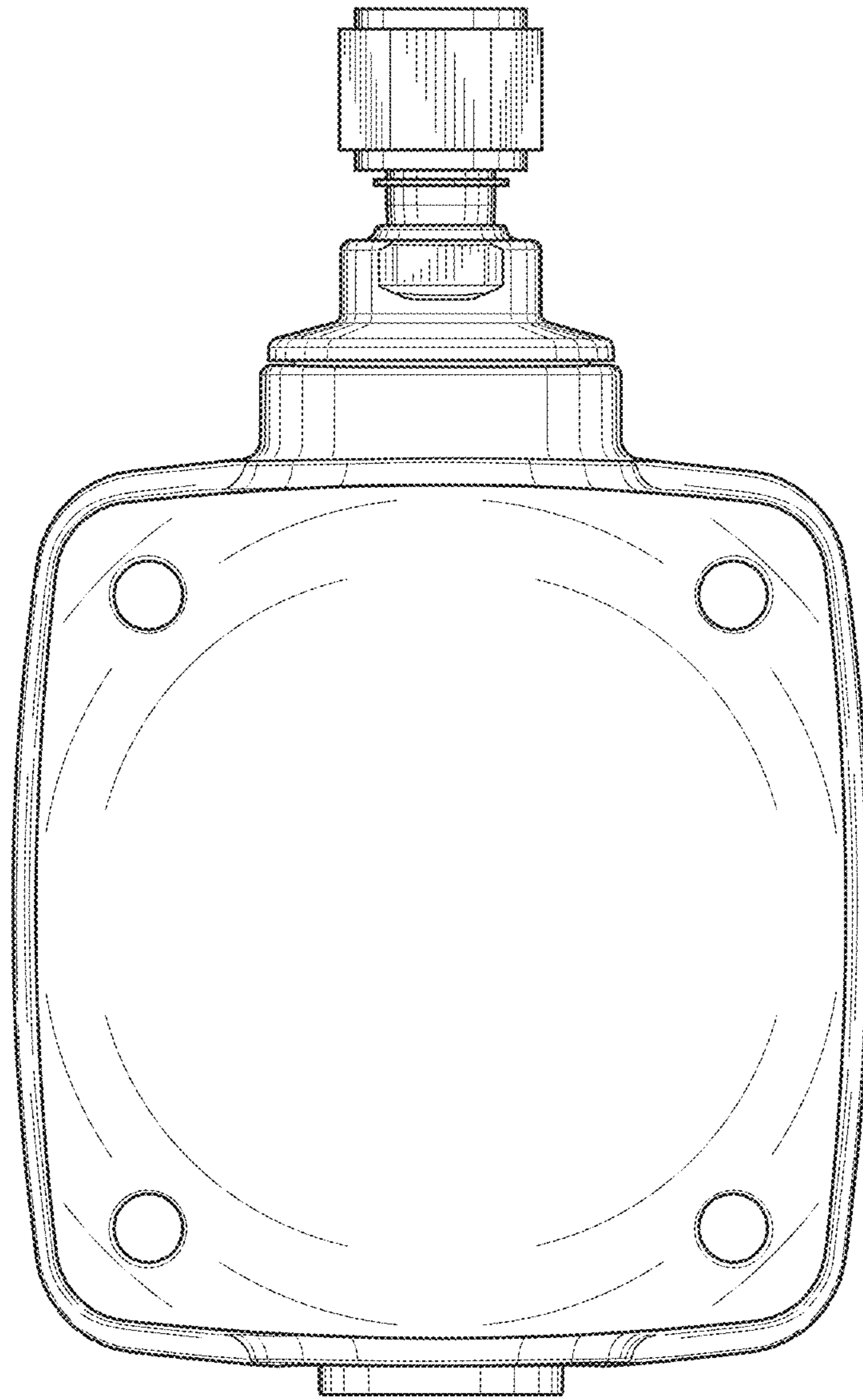


FIG. 3

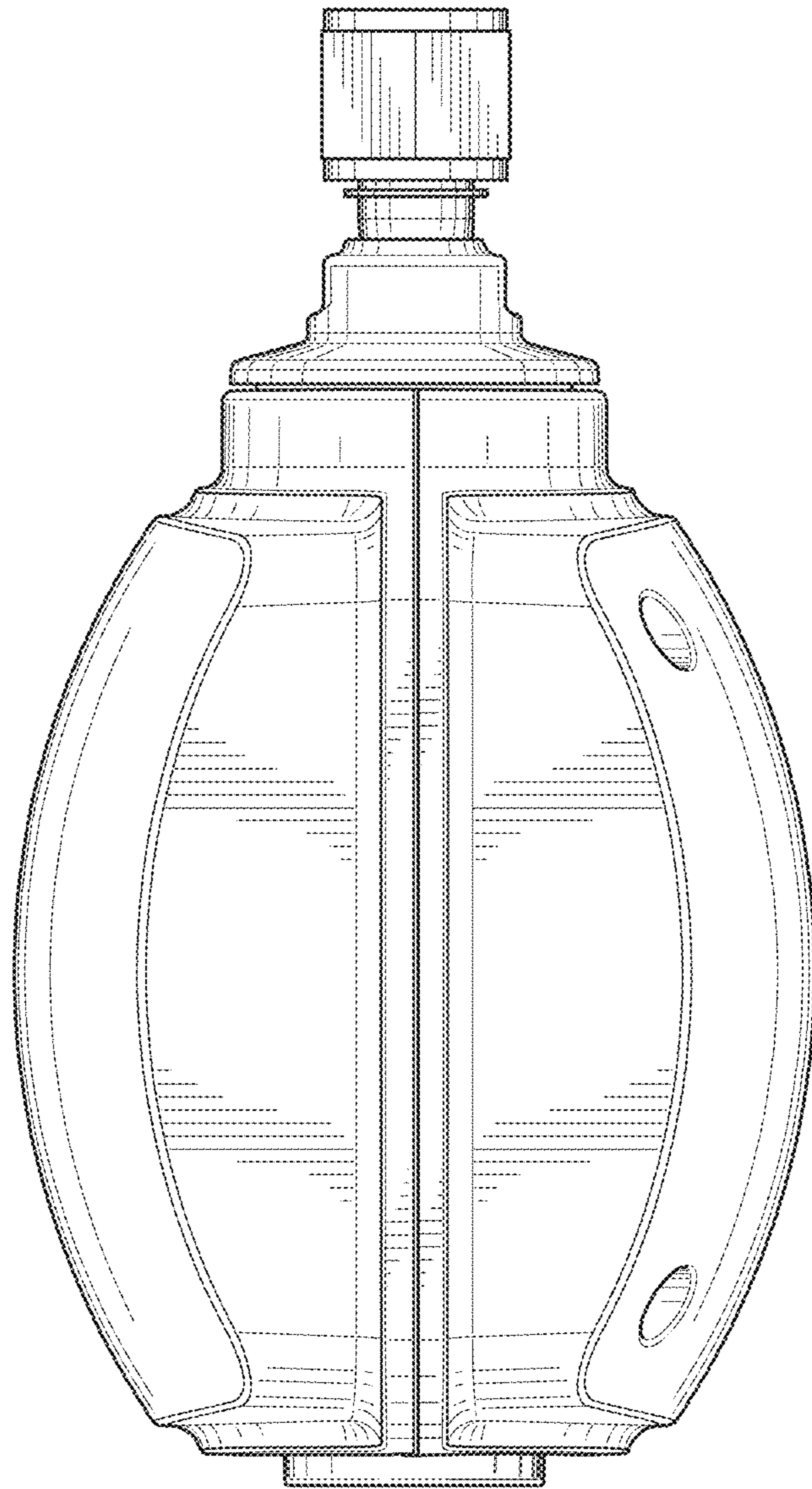


FIG. 4

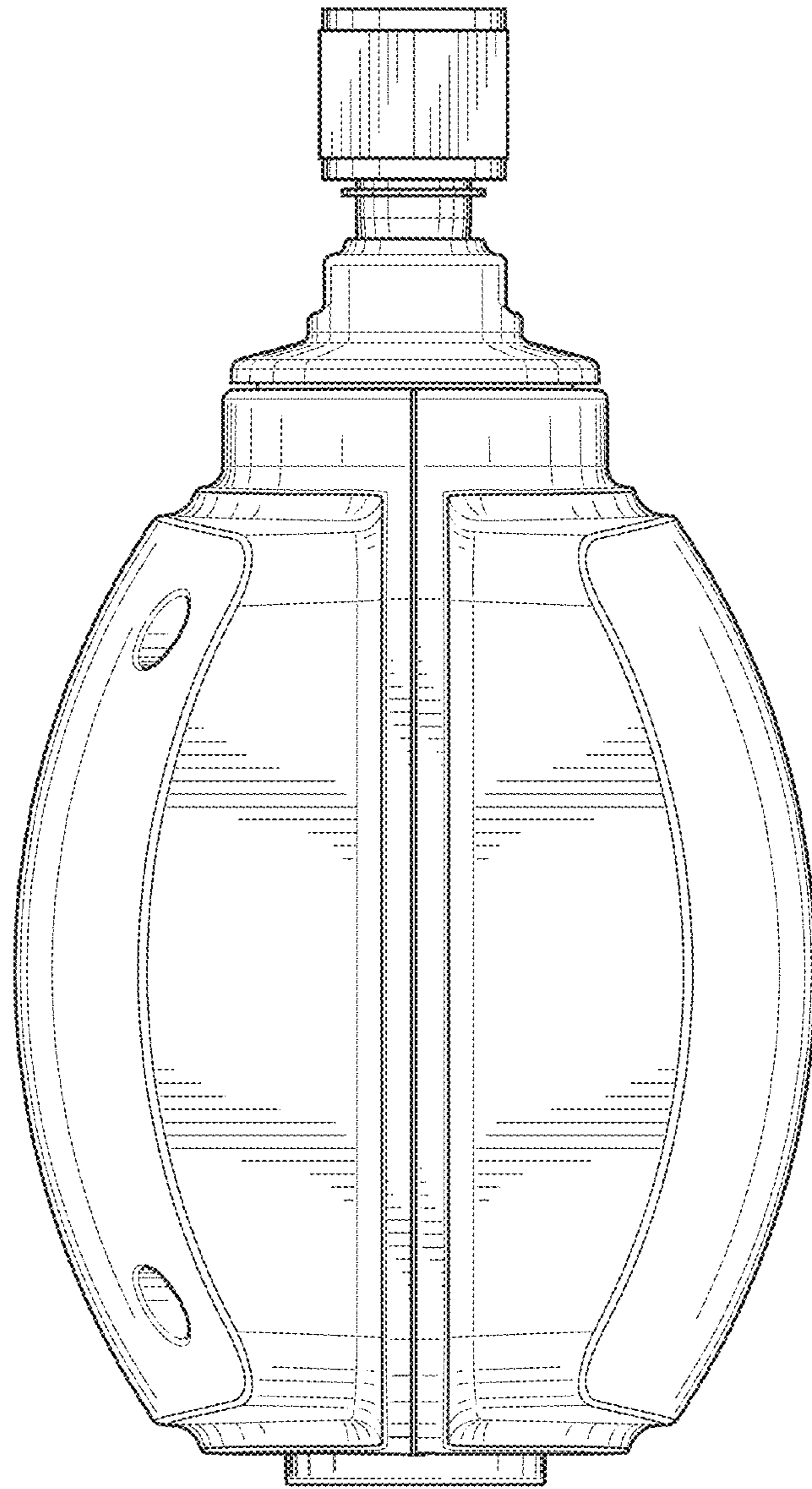


FIG. 5

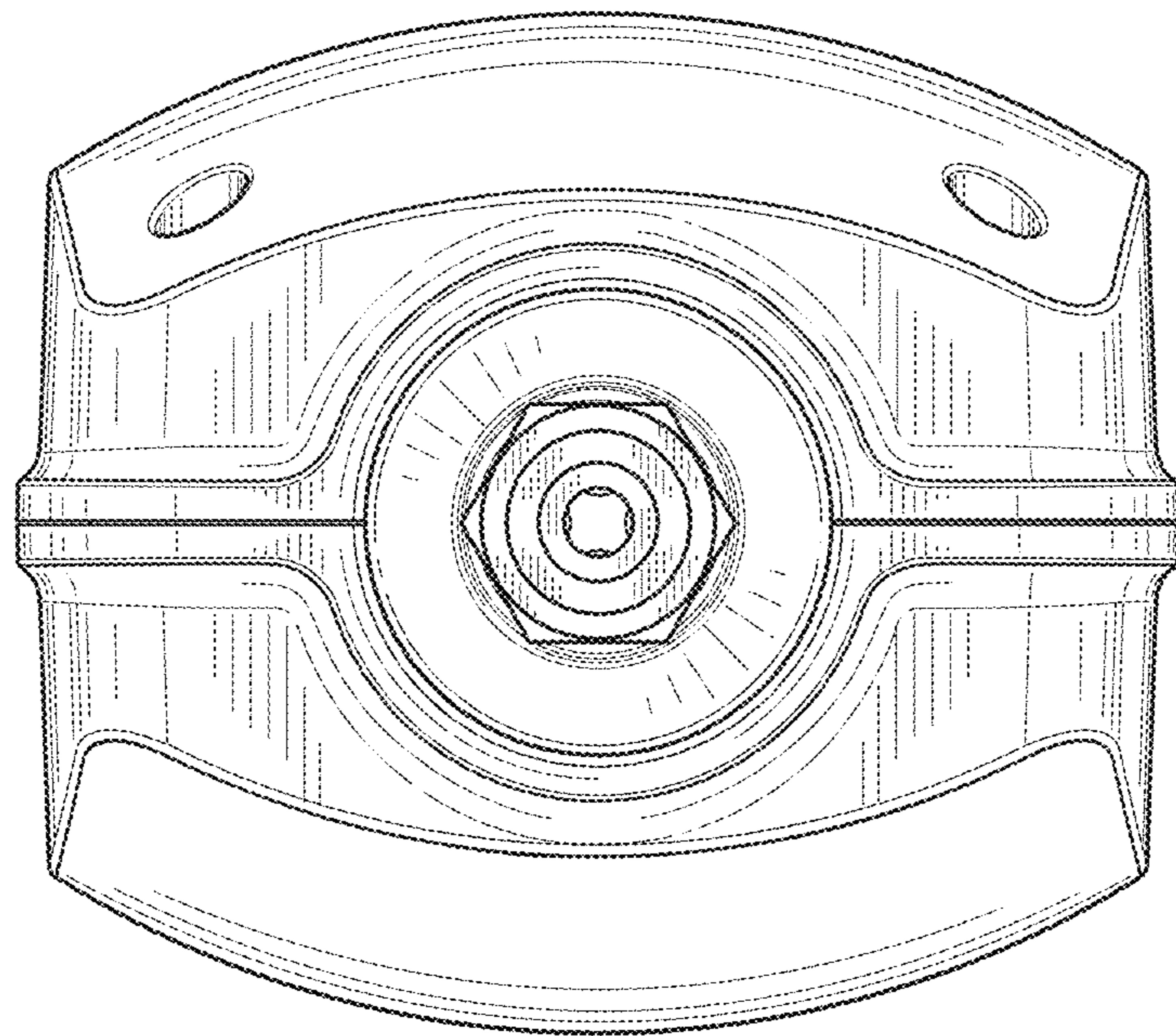


FIG. 6

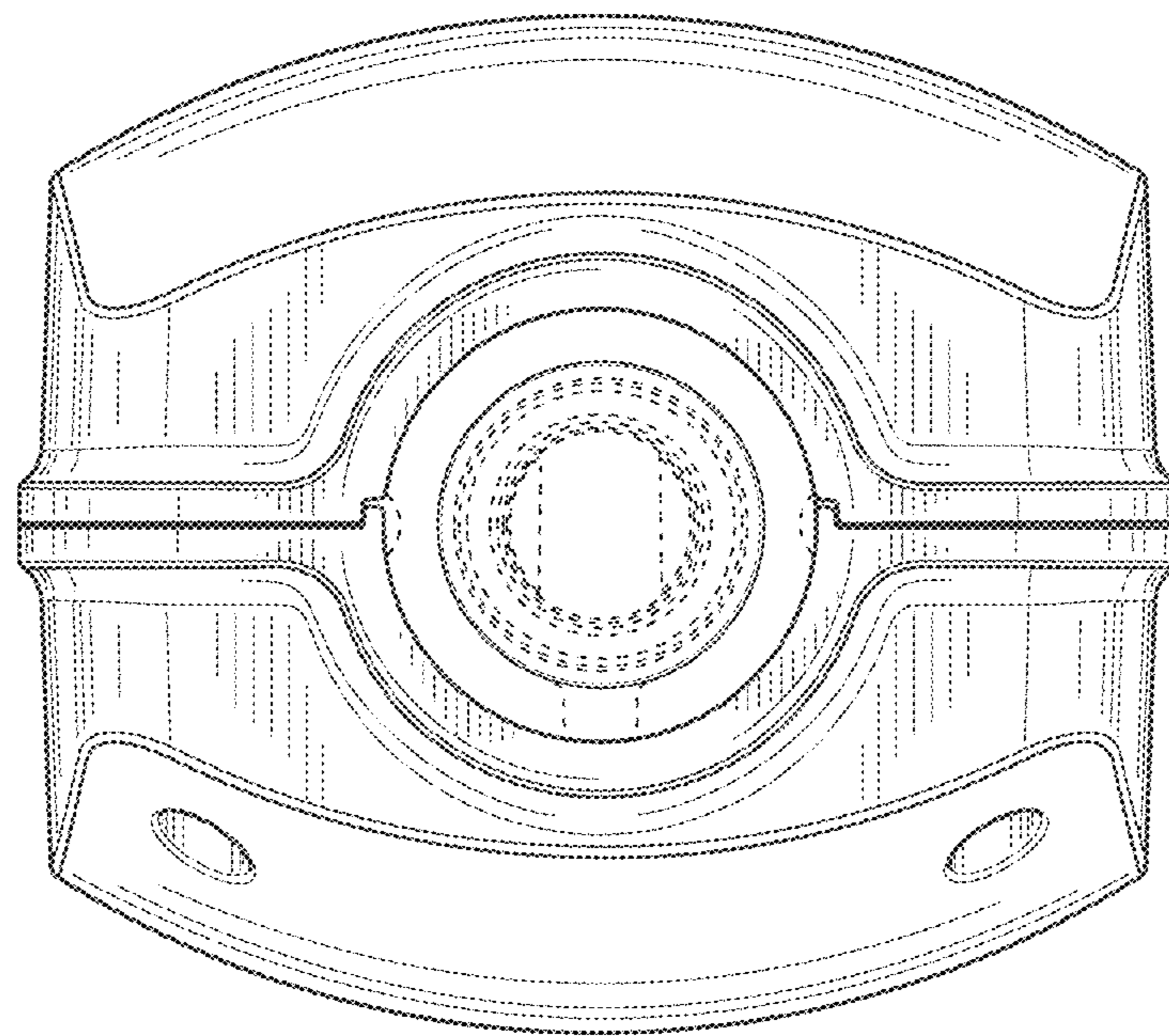


FIG. 7

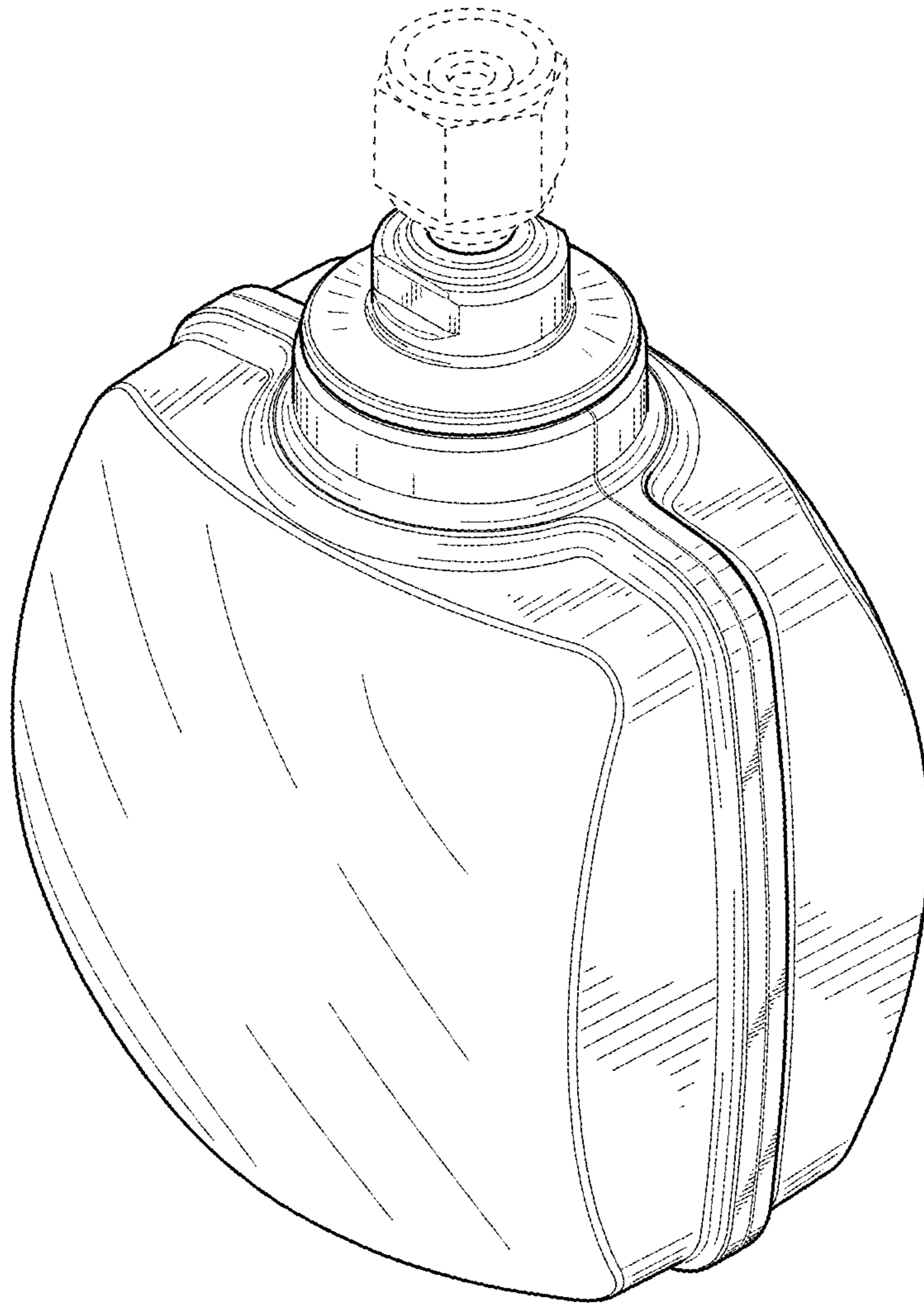


FIG. 8

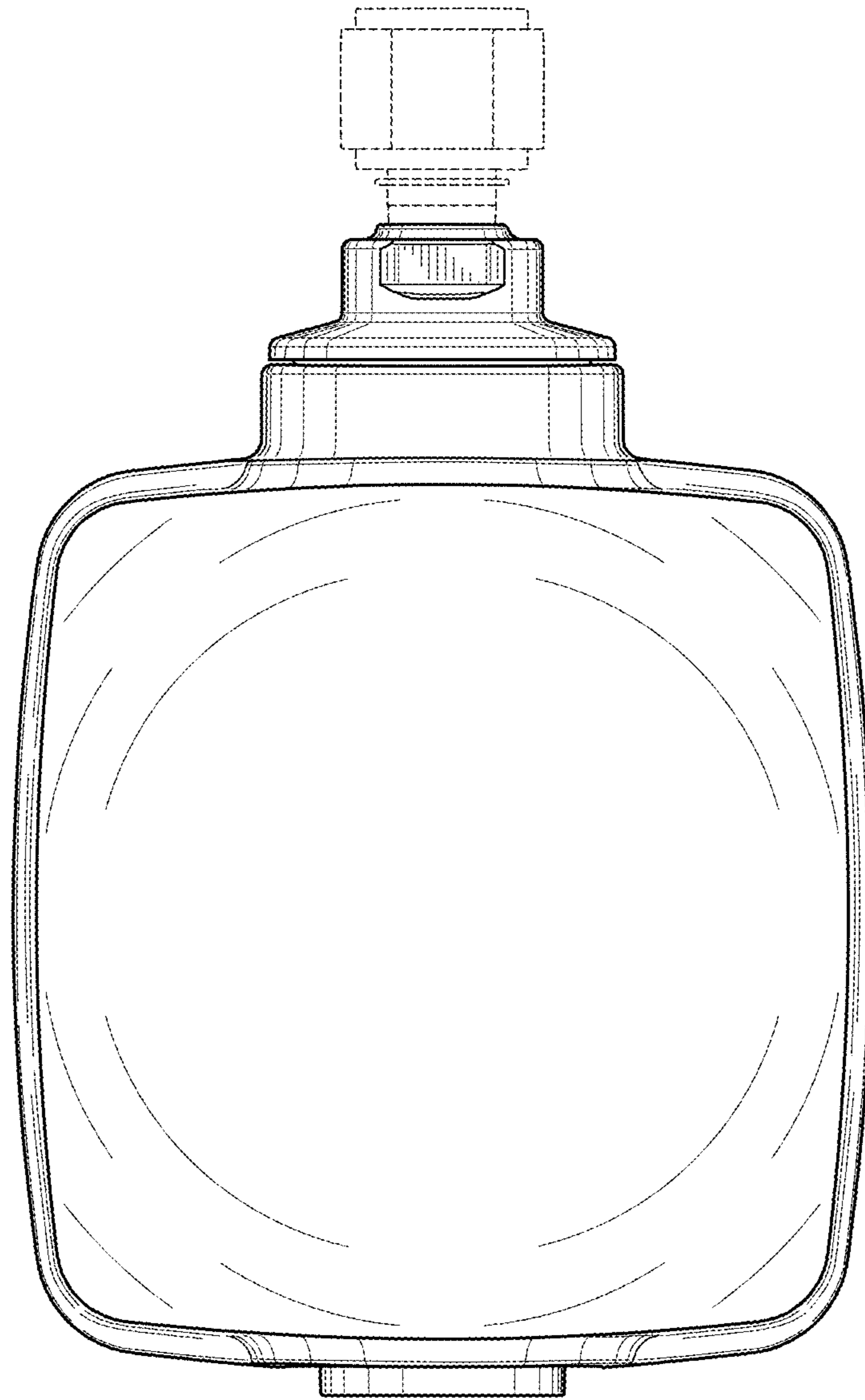


FIG. 9

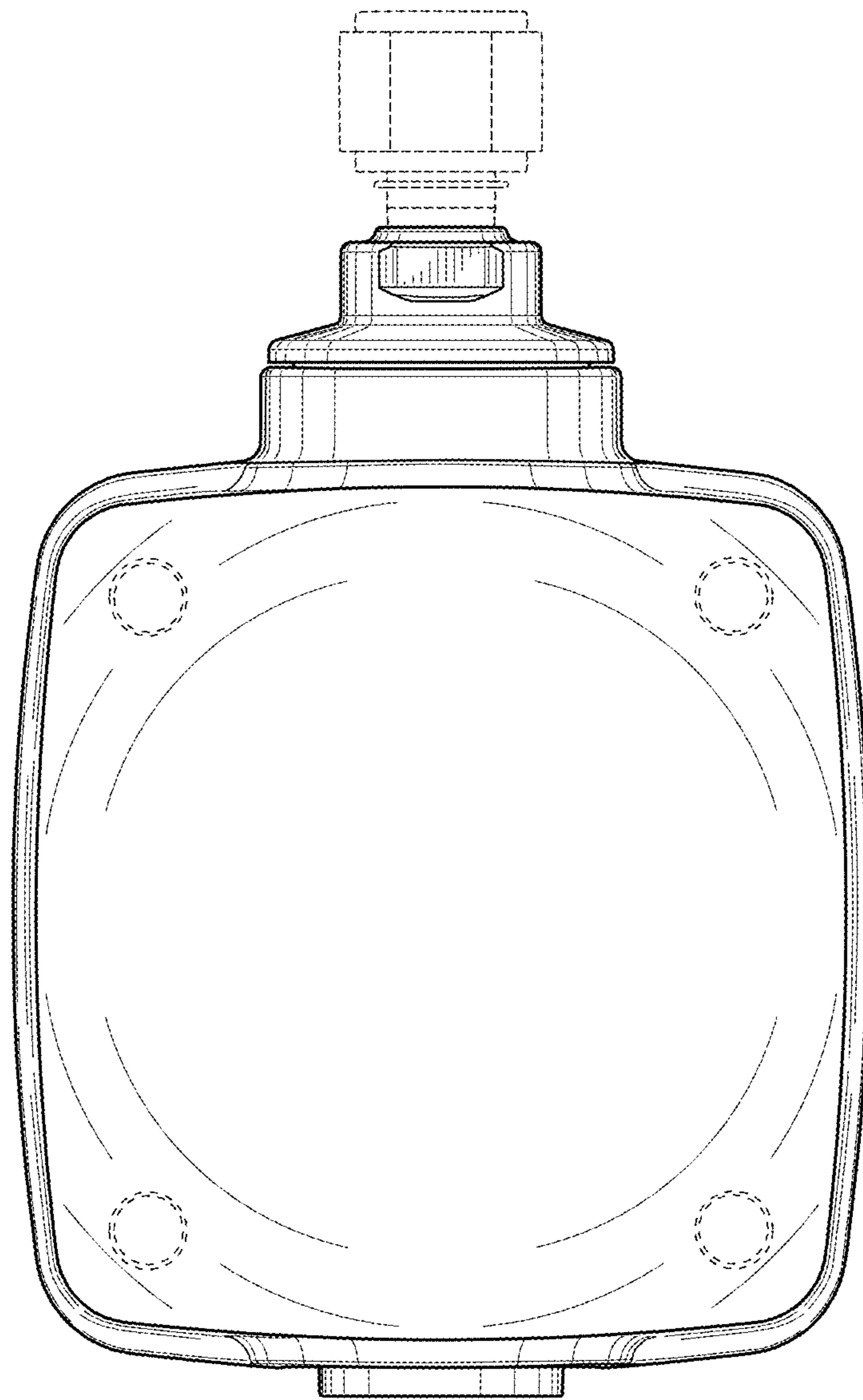


FIG. 10

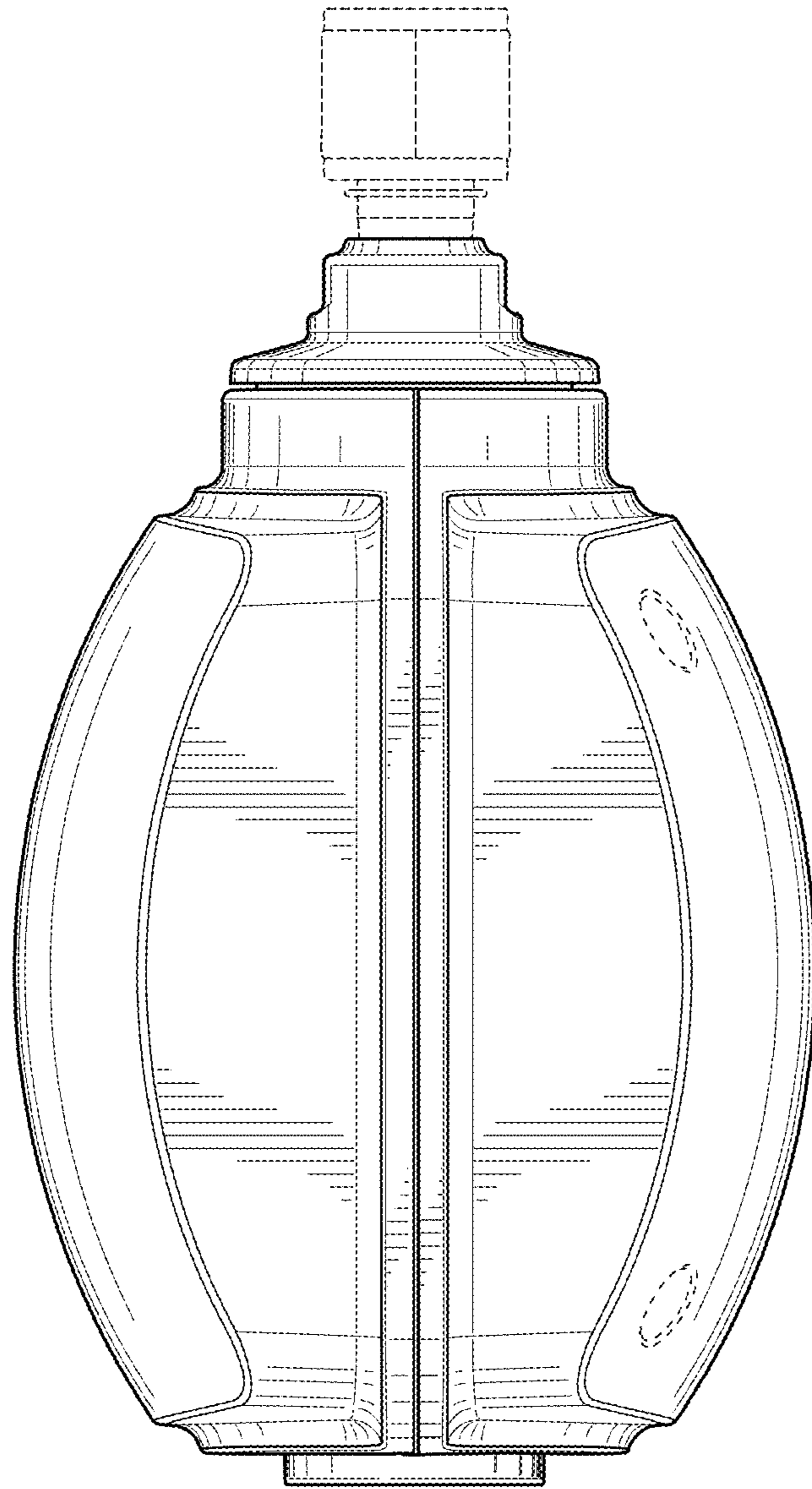


FIG. 11

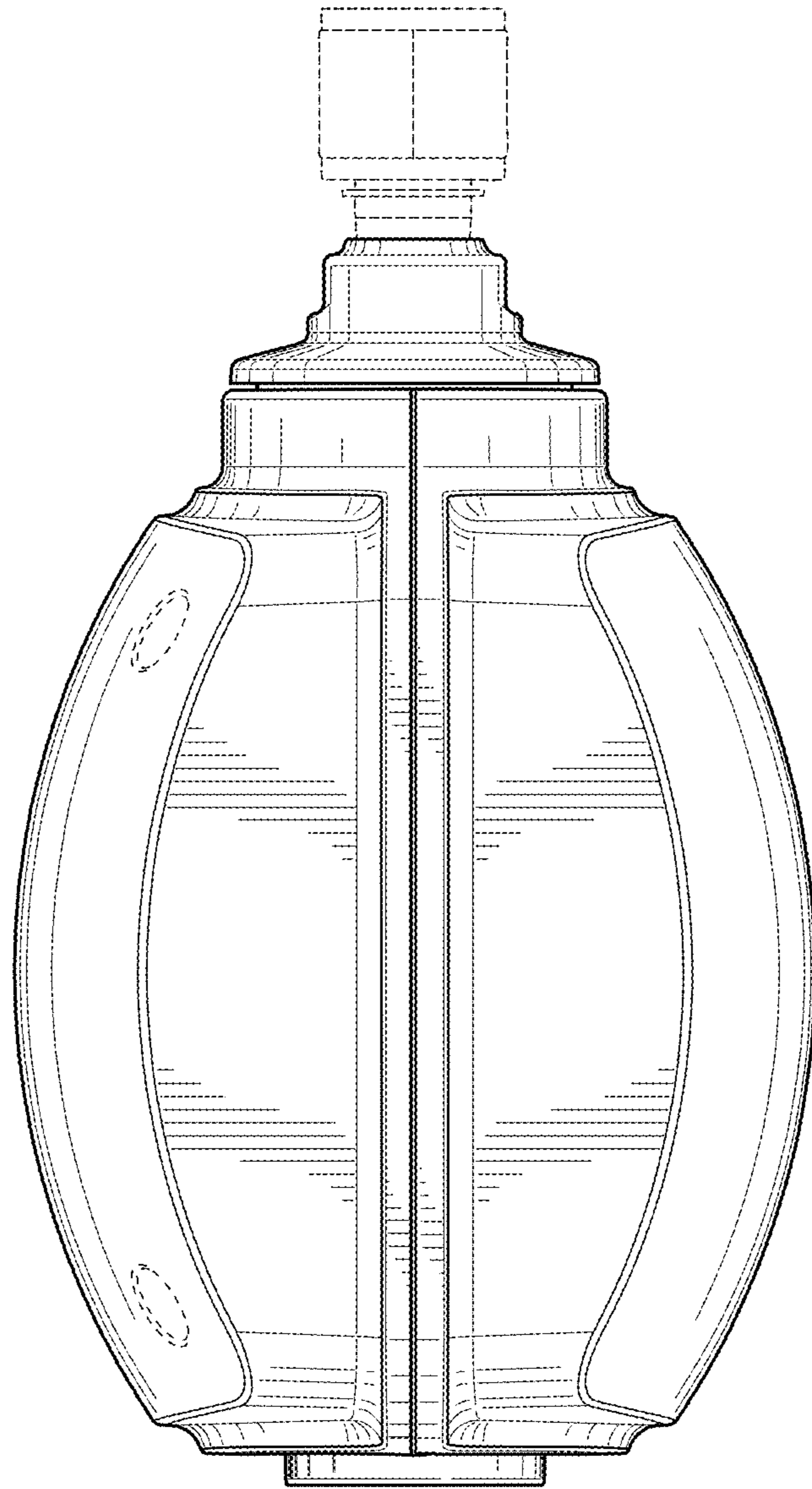


FIG. 12

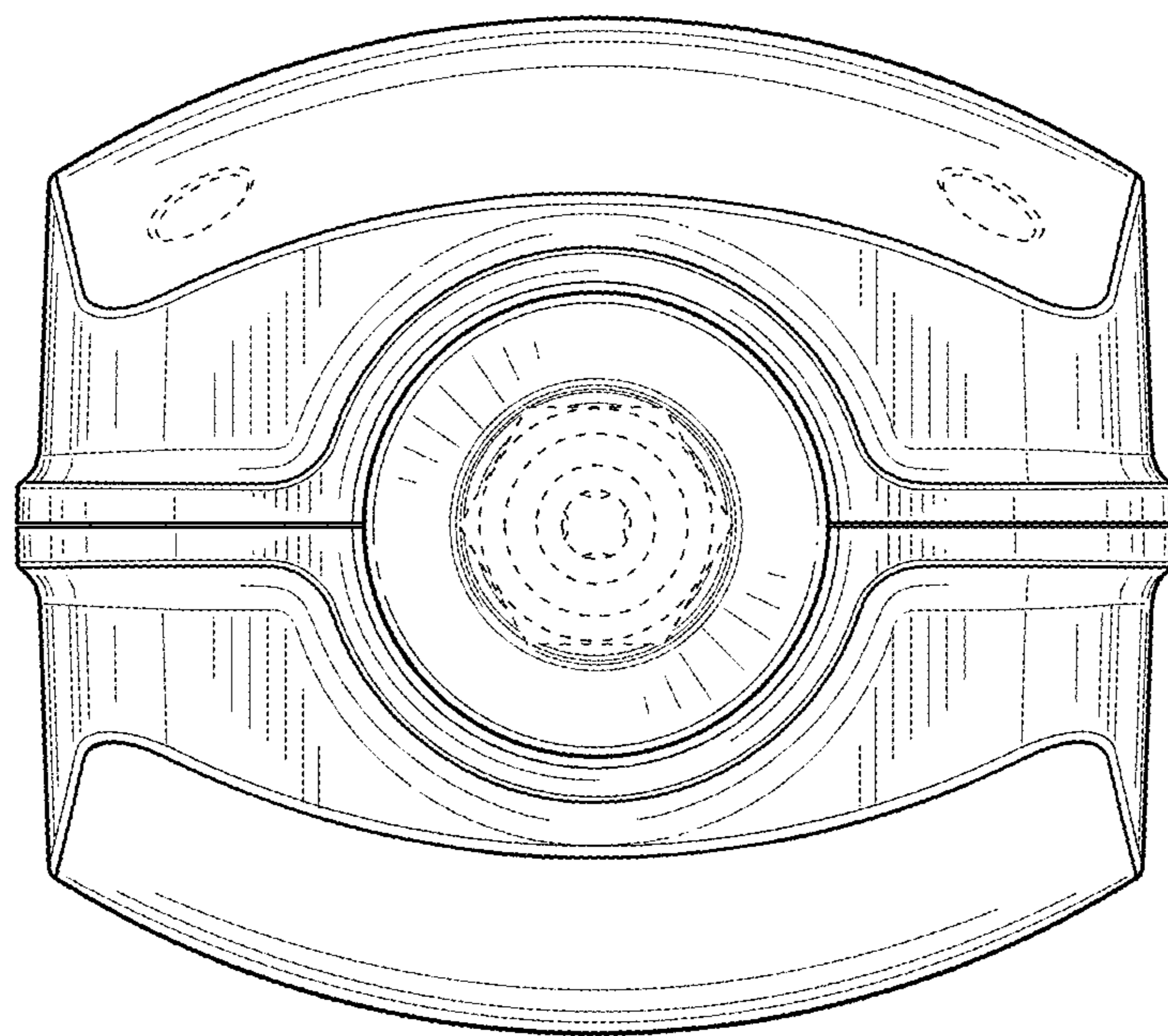


FIG. 13

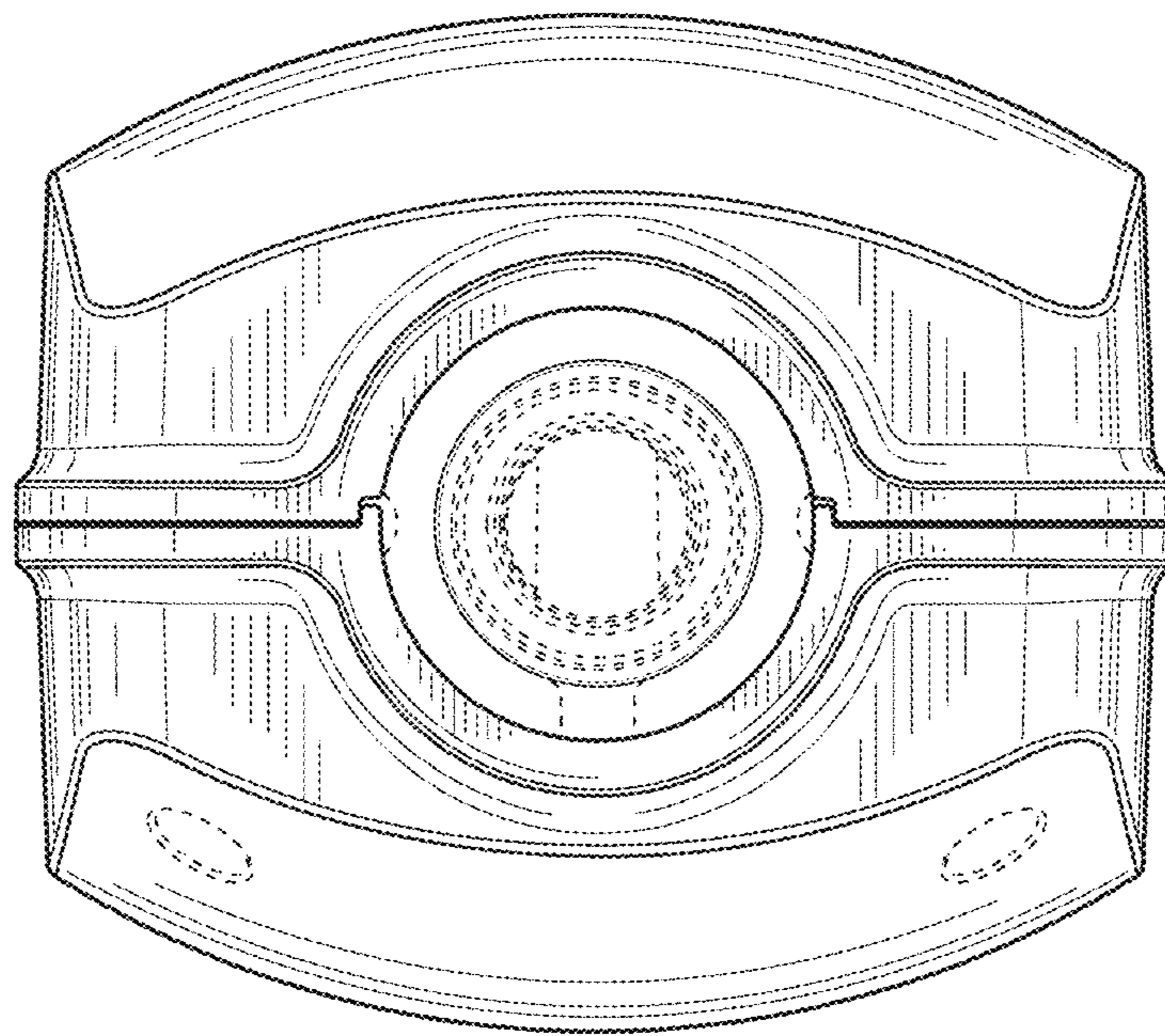


FIG. 14

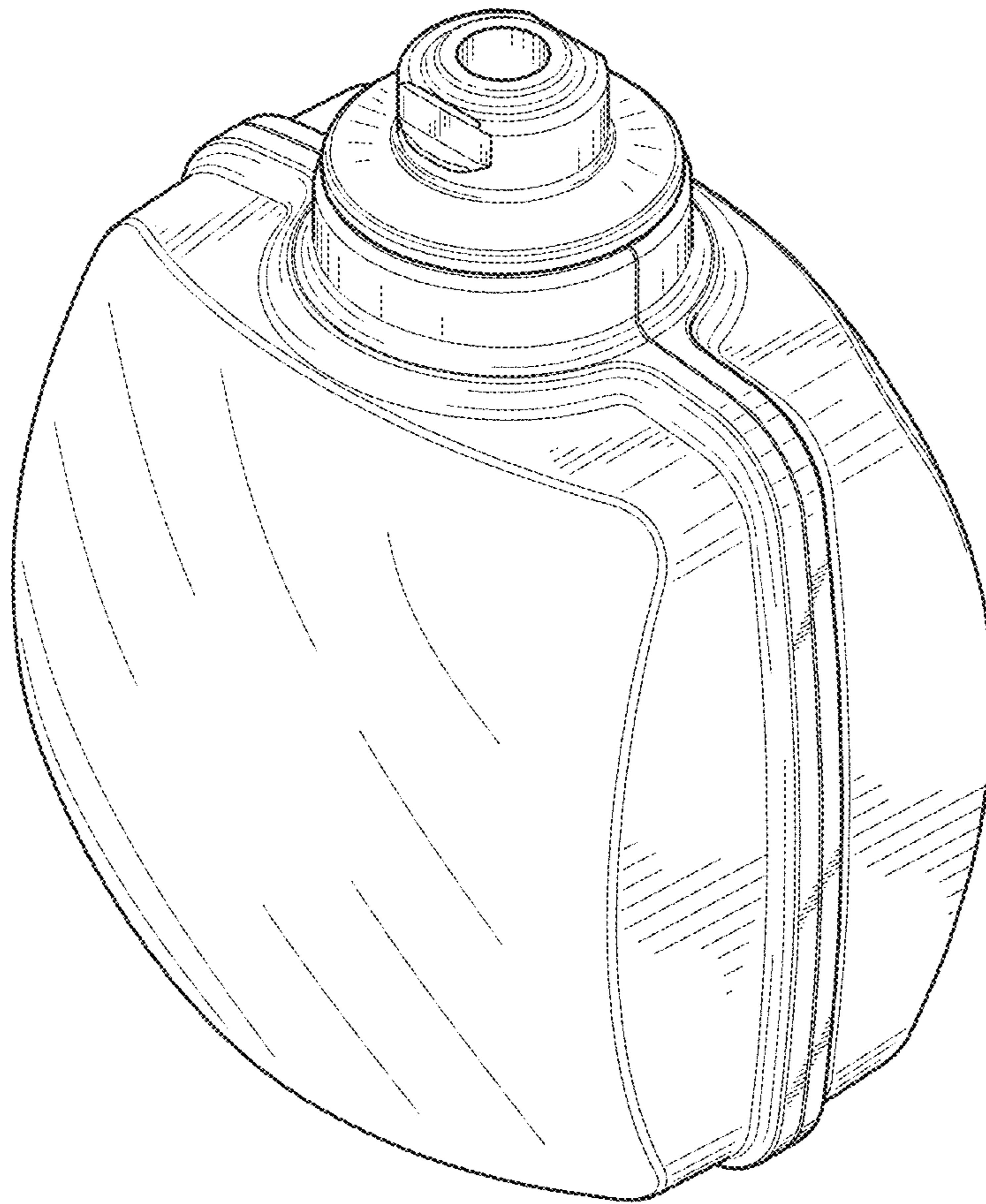


FIG. 15

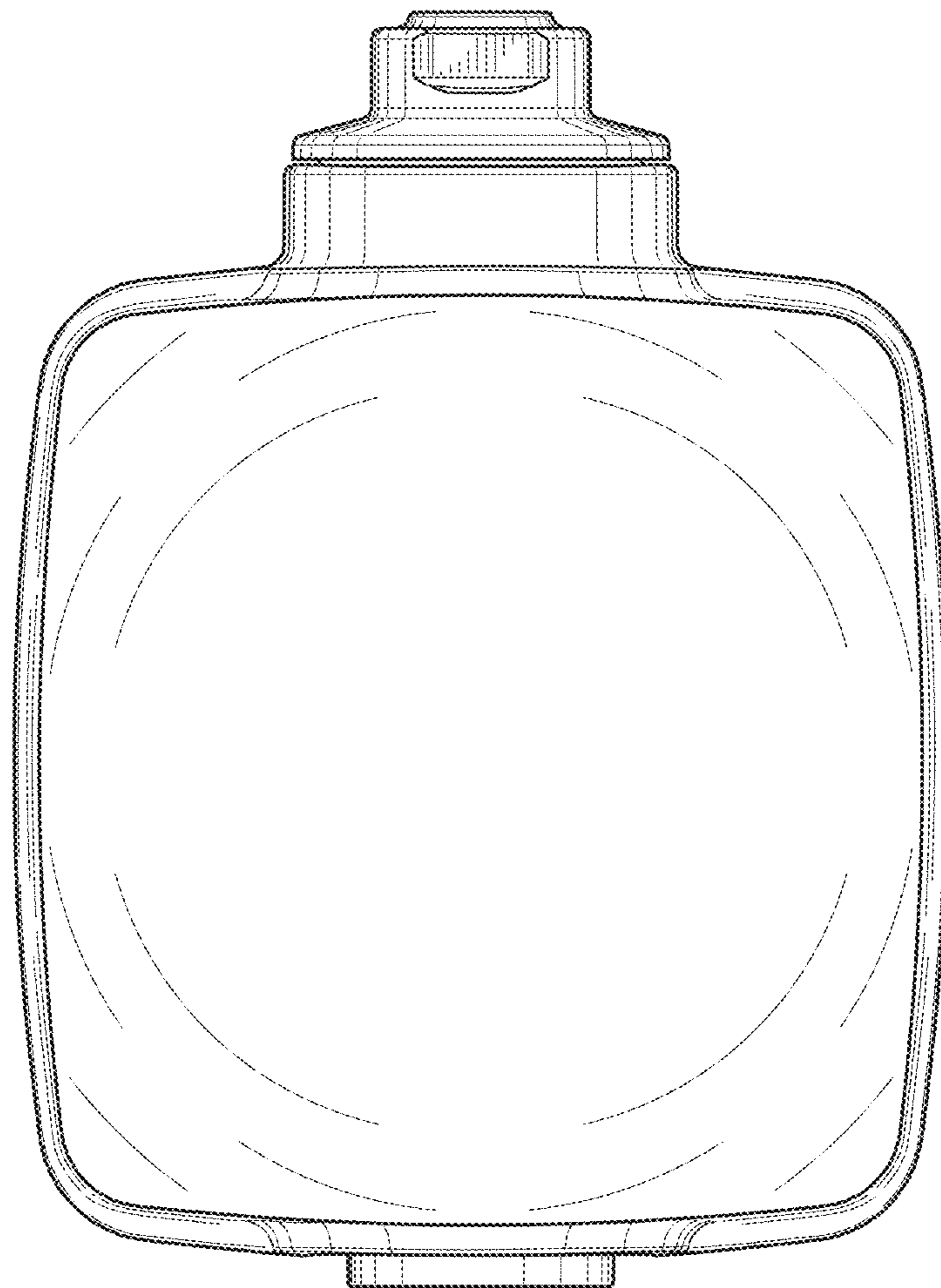


FIG. 16

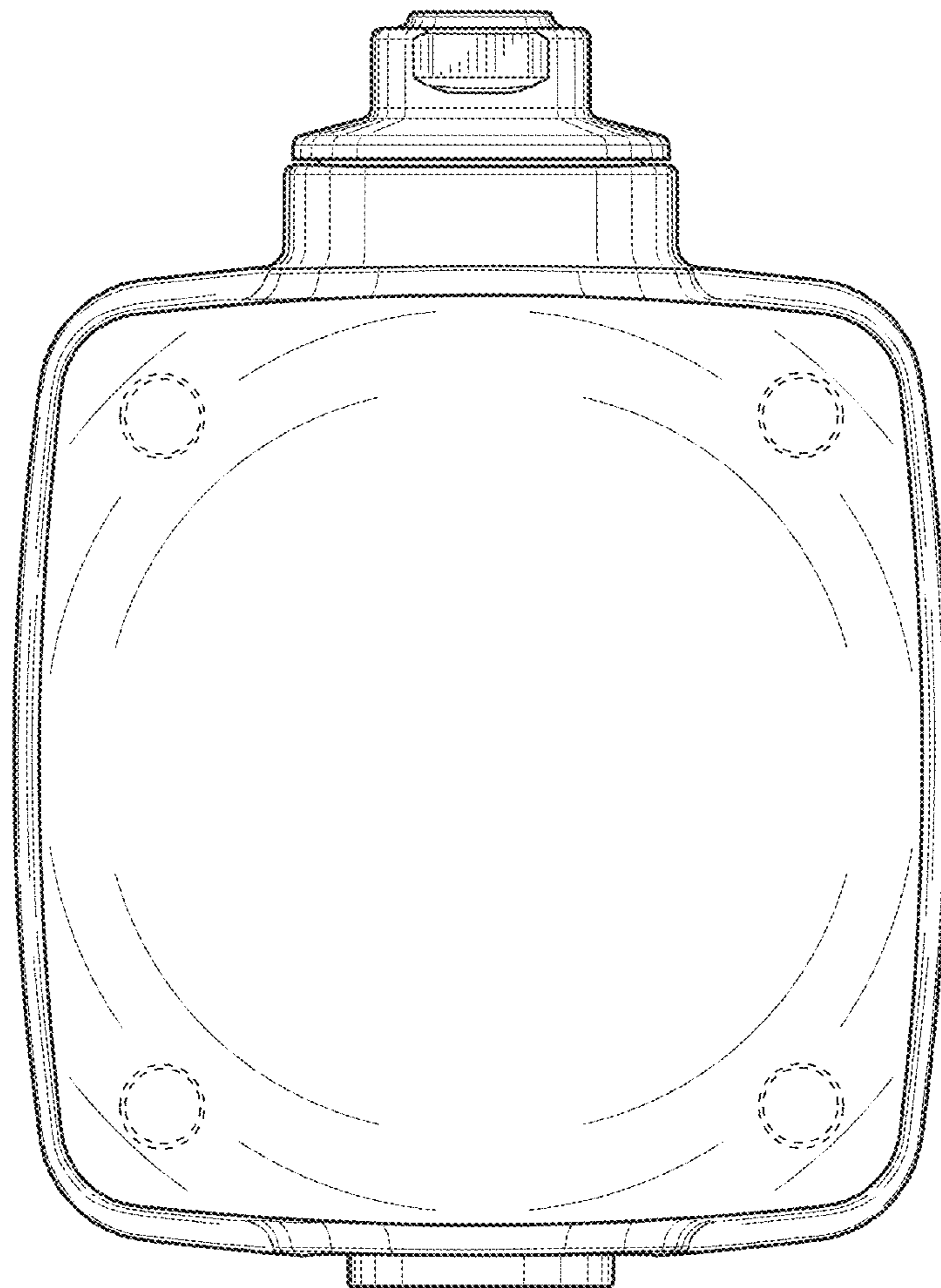


FIG. 17

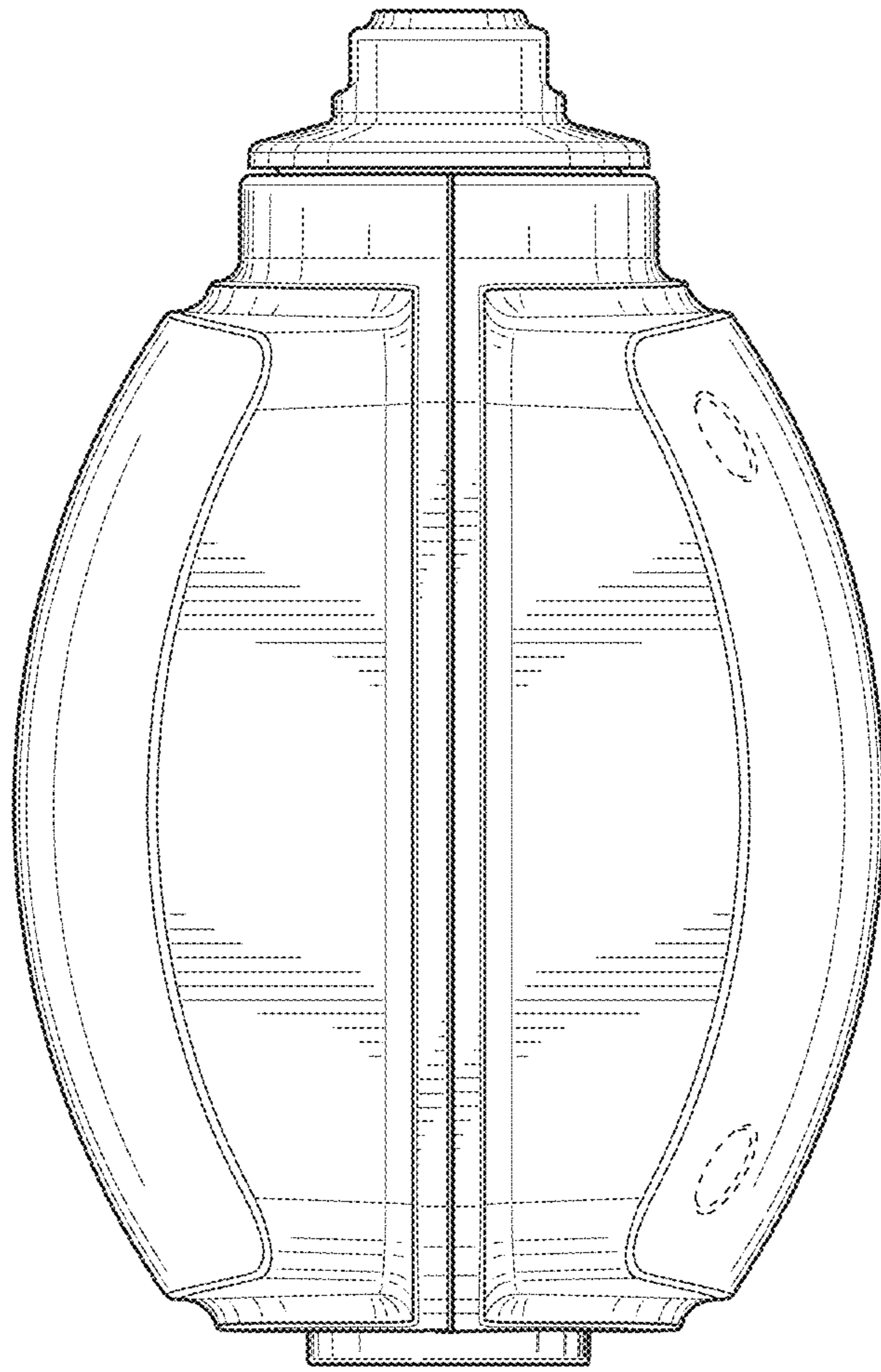


FIG. 18

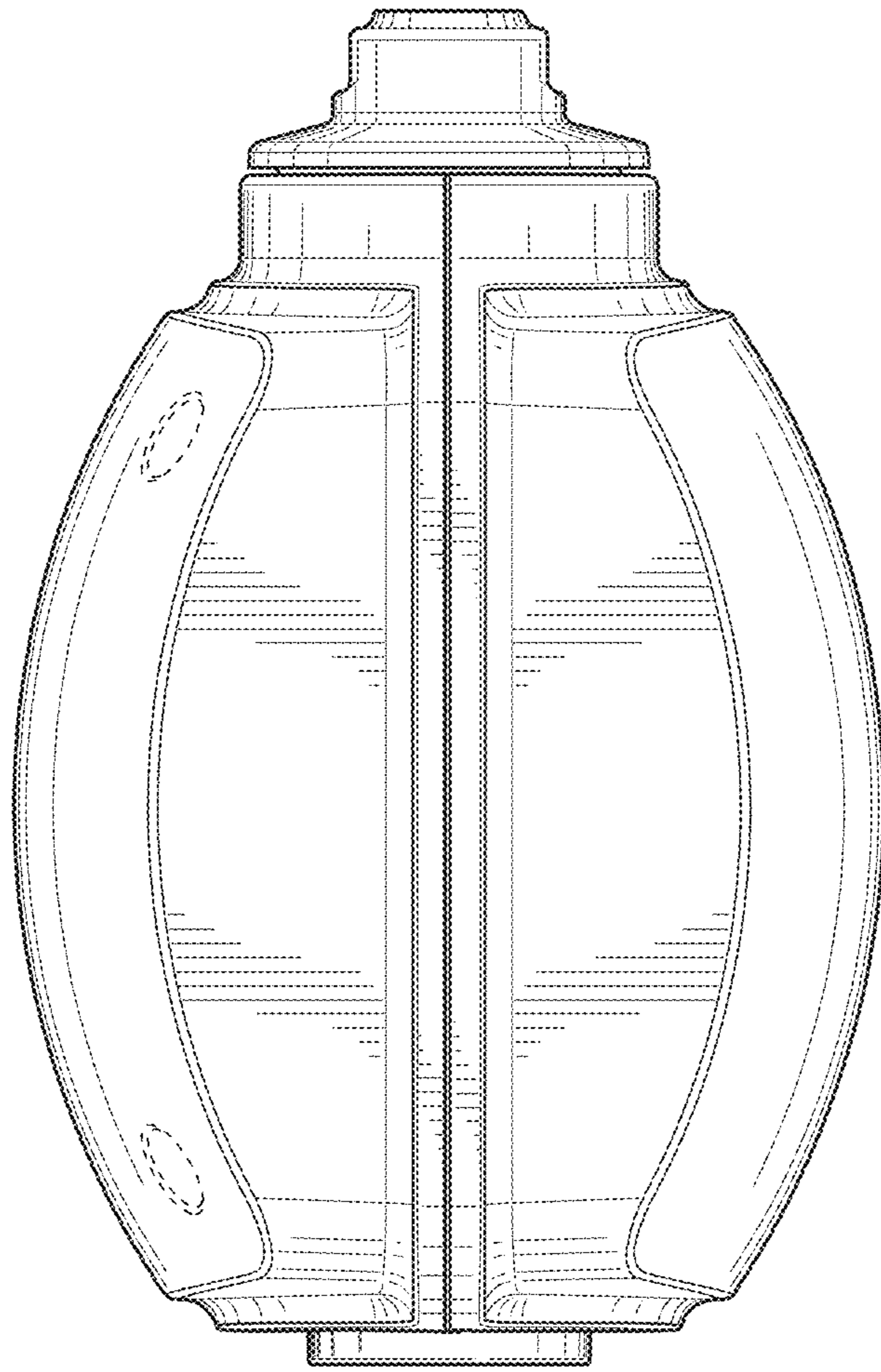


FIG. 19

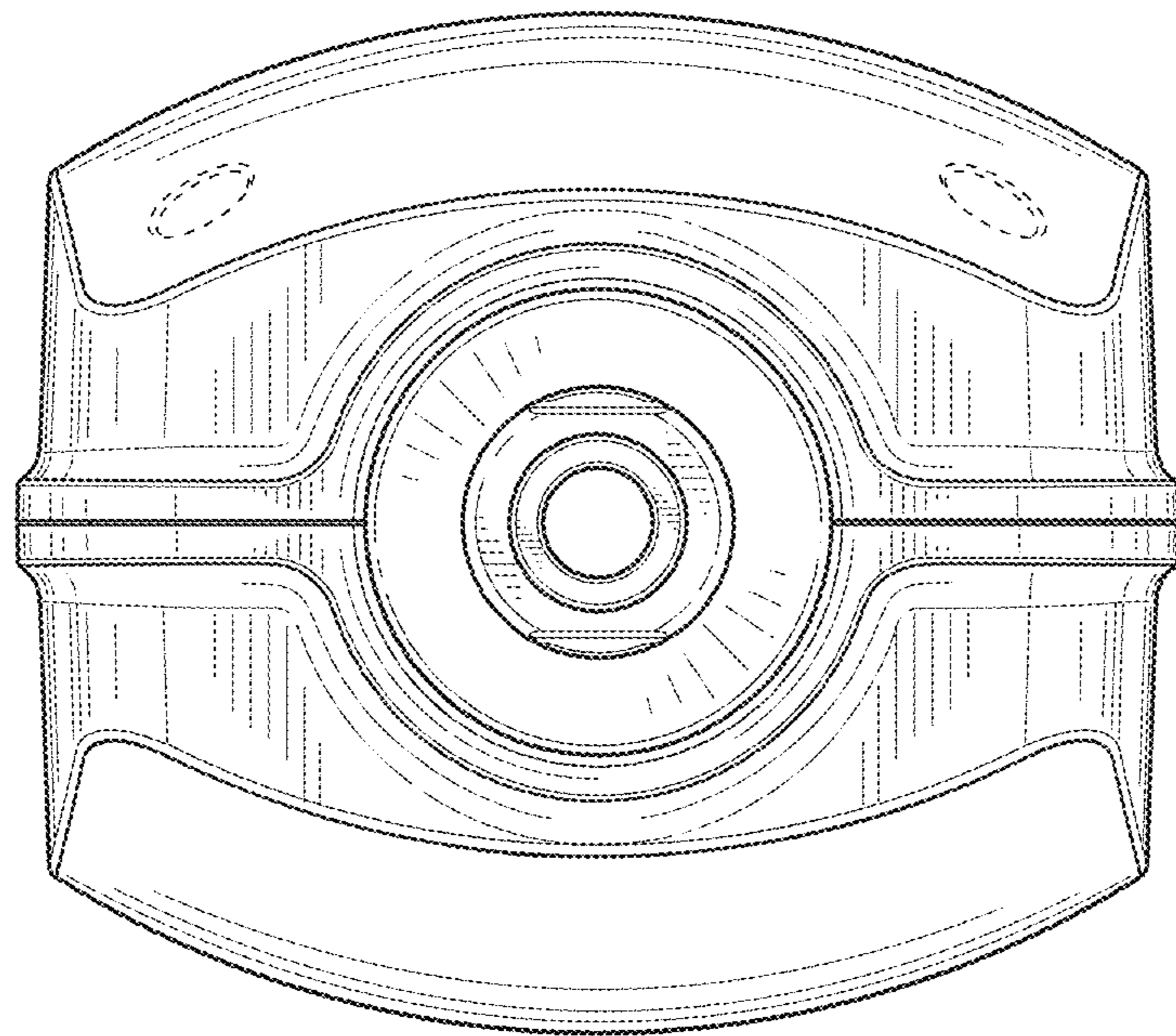


FIG. 20

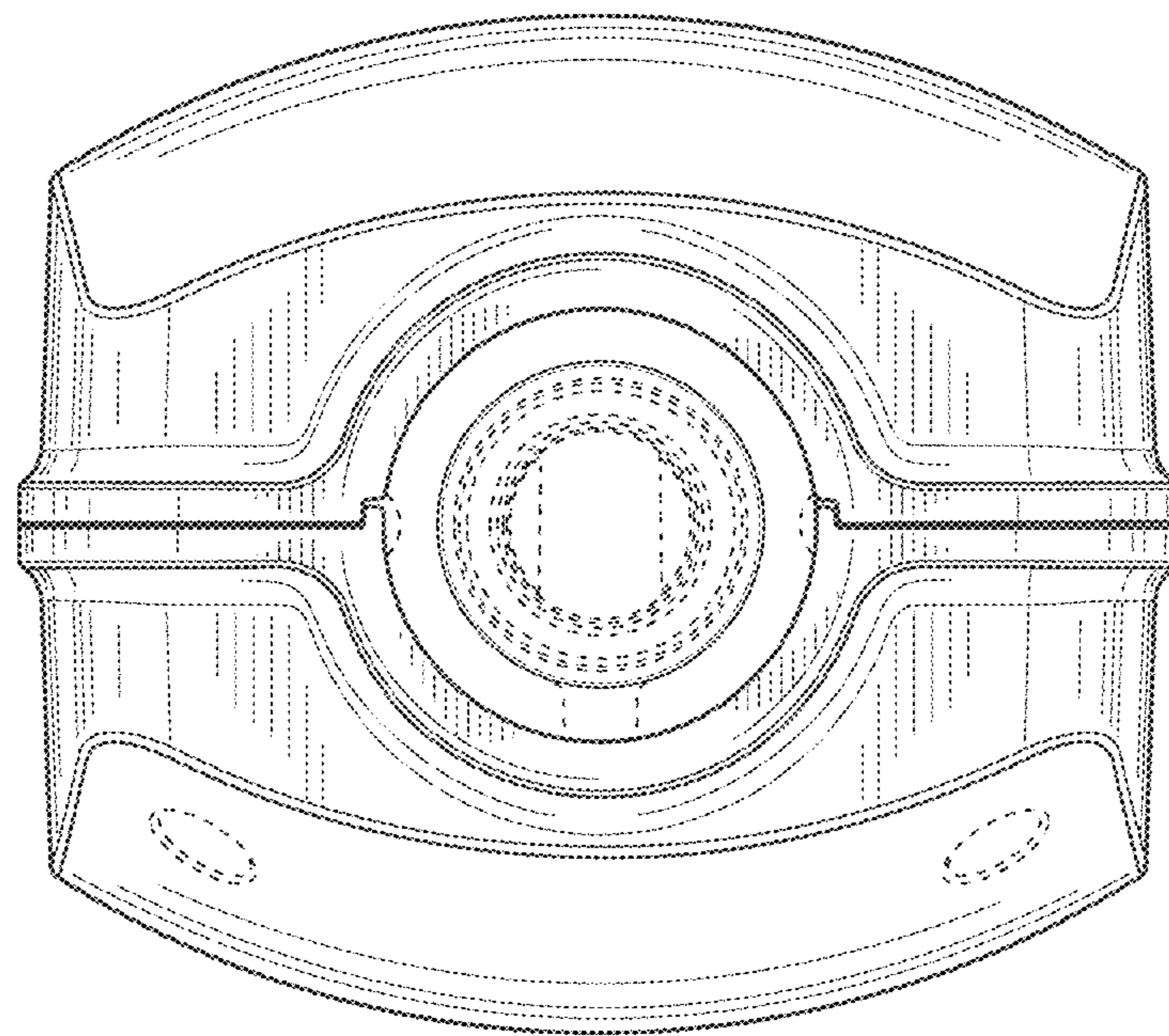


FIG. 21