



US00D967952S

(12) **United States Design Patent** (10) **Patent No.:** **US D967,952 S**
Huang (45) **Date of Patent:** **** Oct. 25, 2022**

(54) **ORAL IRRIGATOR**
(71) Applicant: **GUANGDONG HUANENGDA ELECTRICAL APPLIANCES CO., LTD, Jieyang (CN)**

D909,568 S * 2/2021 Xia D24/111
D922,565 S 6/2021 Wang
D932,005 S * 9/2021 Li D24/111
(Continued)

(72) Inventor: **Minxun Huang, Jieyang (CN)**
(73) Assignee: **GUANGDONG HUANENGDA ELECTRICAL APPLIANCES CO., LTD, Jieyang (CN)**

FOREIGN PATENT DOCUMENTS

GB 6062028 * 5/2019

(**) Term: **15 Years**

OTHER PUBLICATIONS

Water Flosser URL(available Jul. 19, 2022 [online]) Retrieved Aug. 11, 2022 from internet URL: <https://www.amazon.com/DRLEBE-Portable-Cordless-Rechargeable-Irrigator/dp/B0B493S298/> (Year: 2022).*

(21) Appl. No.: **29/821,609**

Primary Examiner — Richard Kearney
Assistant Examiner — Michael Hoffman

(22) Filed: **Dec. 31, 2021**

(51) **LOC (13) Cl.** **24-04**

(52) **U.S. Cl.**
USPC **D24/111**

(57) **CLAIM**

The ornamental design for a oral irrigator, as shown and described.

(58) **Field of Classification Search**
USPC D4/100, 101, 102, 110, 111, 136, 138, D4/199; D24/108, 111–115, 117, 152, D24/176, 231
CPC ... A61C 15/046; A61C 15/047; A61C 15/048; A61C 17/00; A61C 17/005; A61C 17/0092; A61C 17/02; A61C 17/0202; A61C 17/0205; A61C 17/0211; A61C 17/028; A61C 17/16; A61C 17/22; A61C 17/222; A61C 17/225; A61C 17/227; A61C 17/28; A61C 17/32; A61C 17/34; A61C 17/36
See application file for complete search history.

DESCRIPTION

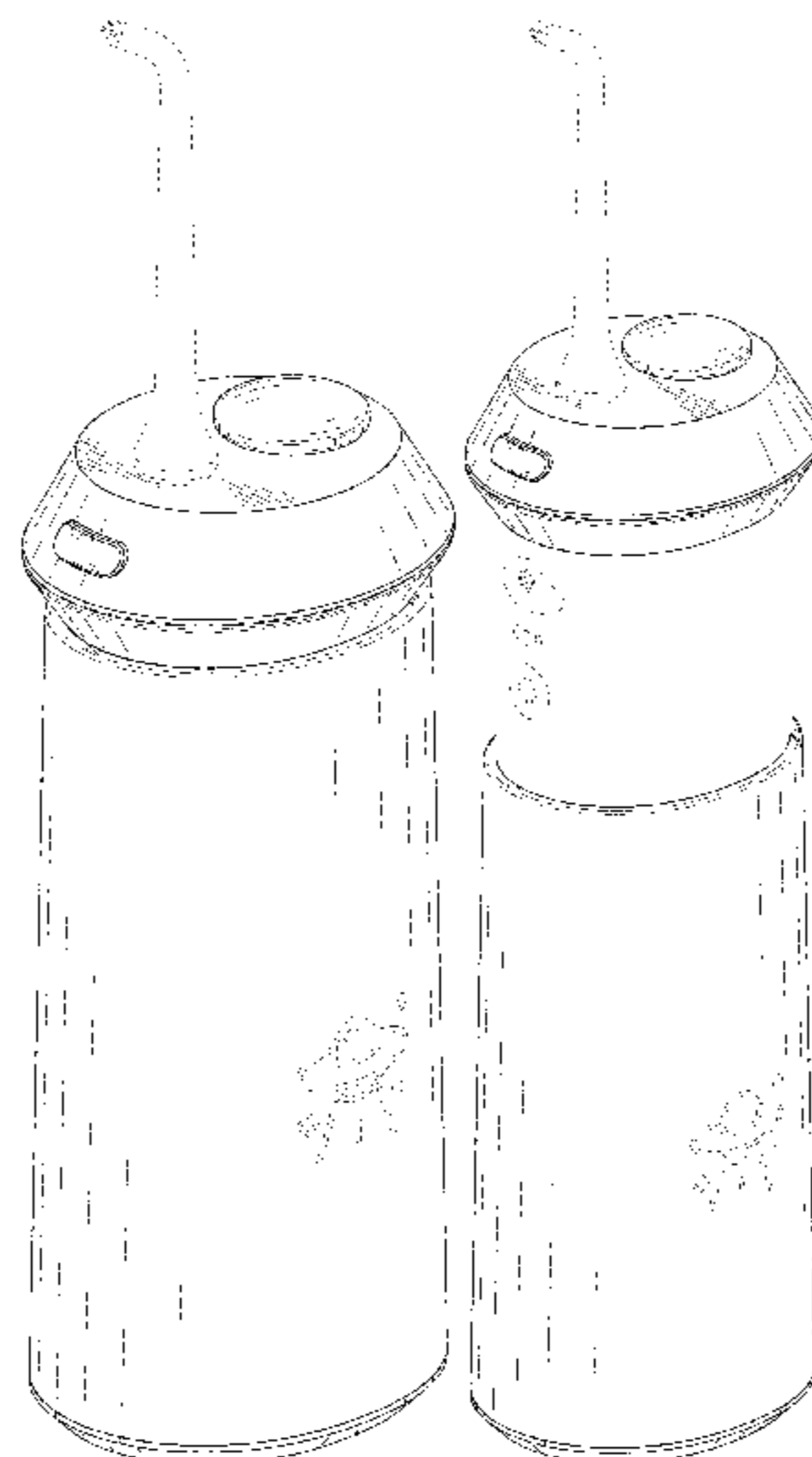
FIG. 1 is a perspective view of a oral irrigator showing my new design;
FIG. 2 is another perspective view thereof;
FIG. 3 is a front elevational view thereof;
FIG. 4 is a rear elevational view thereof;
FIG. 5 is a left side elevational view thereof;
FIG. 6 is a right side elevational view thereof;
FIG. 7 is a top plan view thereof;
FIG. 8 is a bottom plan view thereof;
FIG. 9 is a perspective view of the oral irrigator where the oral irrigator is in a first configuration of use;
FIG. 10 is a perspective view of the oral irrigator where the oral irrigator is in a second configuration of use; and,
FIG. 11 is a perspective view of the oral irrigator where the oral irrigator is in a third configuration of use.
The broken lines in the drawings depict portions of the oral irrigator that form no part of the claimed design.

(56) **References Cited**

U.S. PATENT DOCUMENTS

D196,168 S * 9/1963 Carlson D4/101
D316,033 S * 4/1991 Czech D9/686
D460,694 S * 7/2002 Llusca D9/549
D625,406 S * 10/2010 Seki D24/111
D806,228 S 12/2017 Yan
D865,160 S * 10/2019 Yan D24/111
D865,944 S * 11/2019 Yan D24/111

1 Claim, 11 Drawing Sheets



(56)

References Cited

U.S. PATENT DOCUMENTS

D937,583 S * 12/2021 Lin D4/116
D947,368 S * 3/2022 Yuan D24/111
D953,521 S * 5/2022 Zhou D24/111
D953,868 S * 6/2022 Bauchwitz D9/522
2022/0151753 A1 * 5/2022 Zhou A61C 17/0205

* cited by examiner

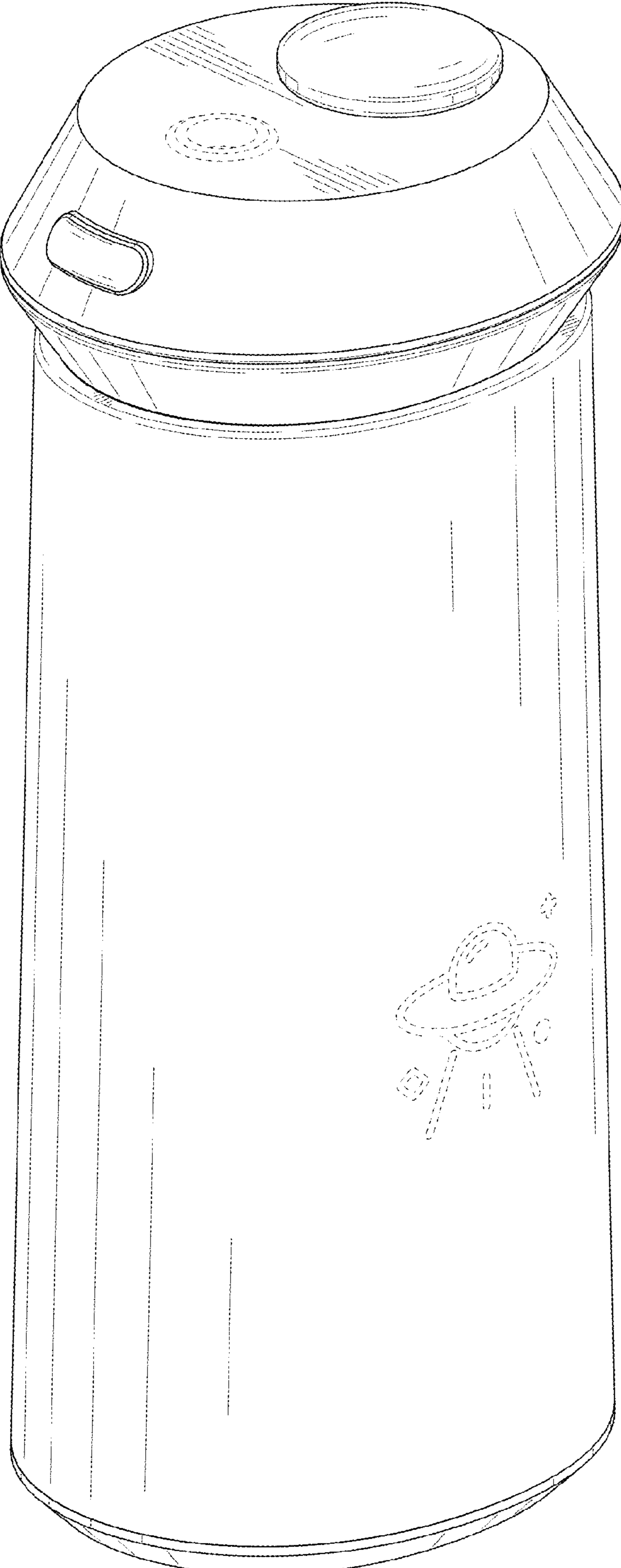


FIG. 1

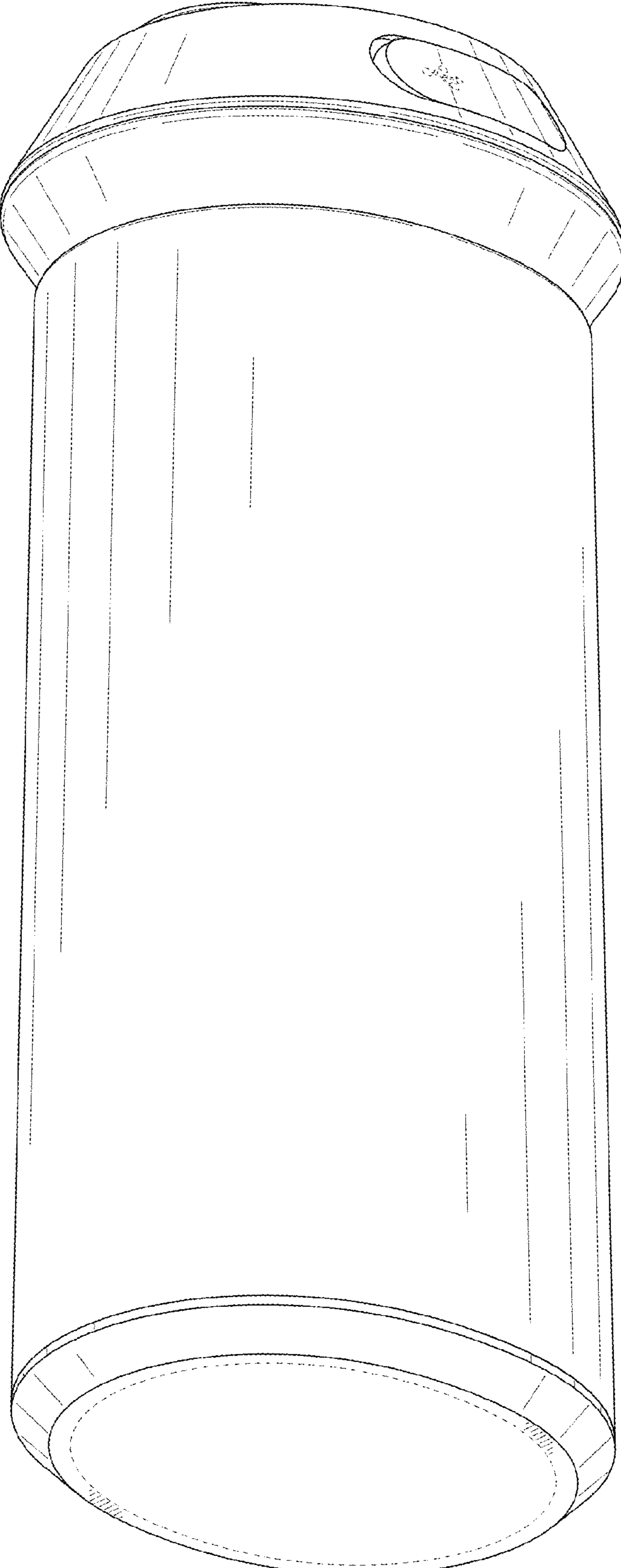


FIG. 2

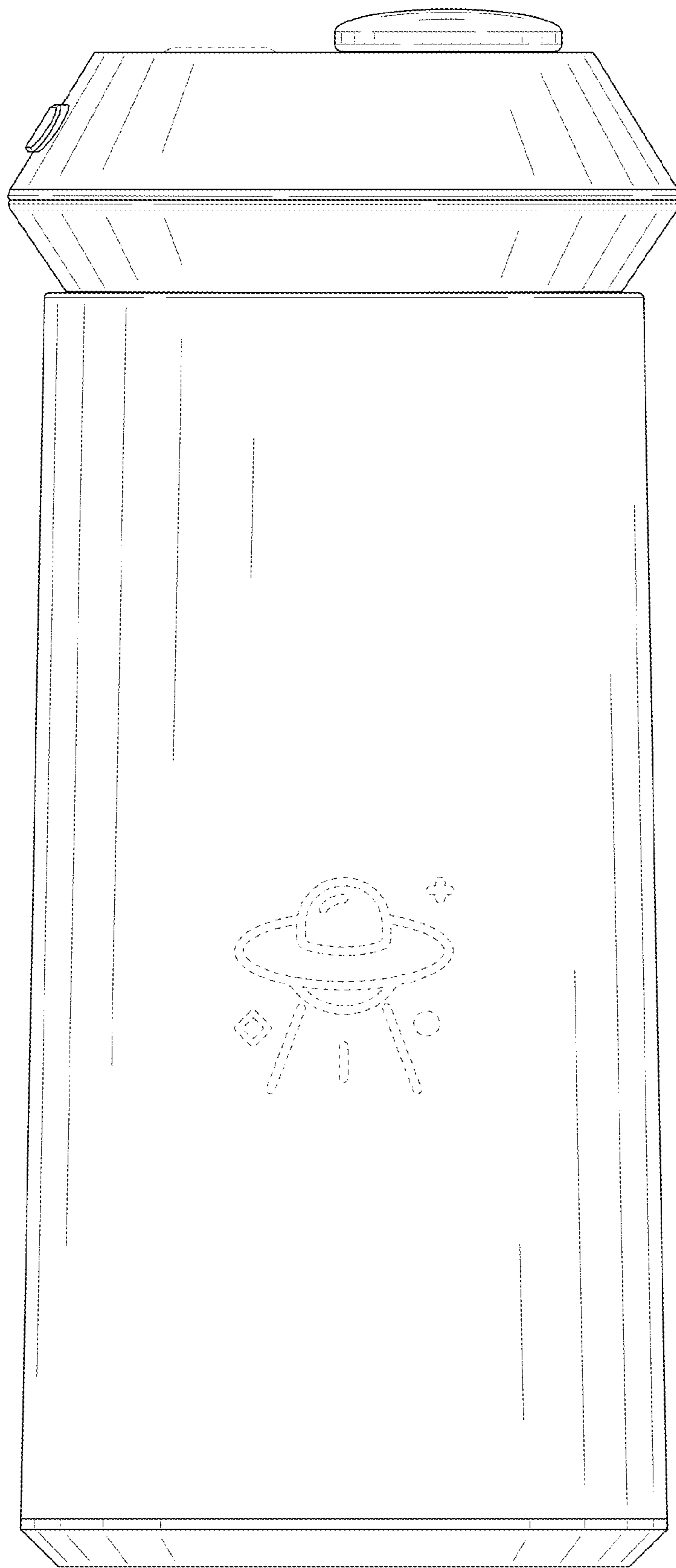


FIG. 3

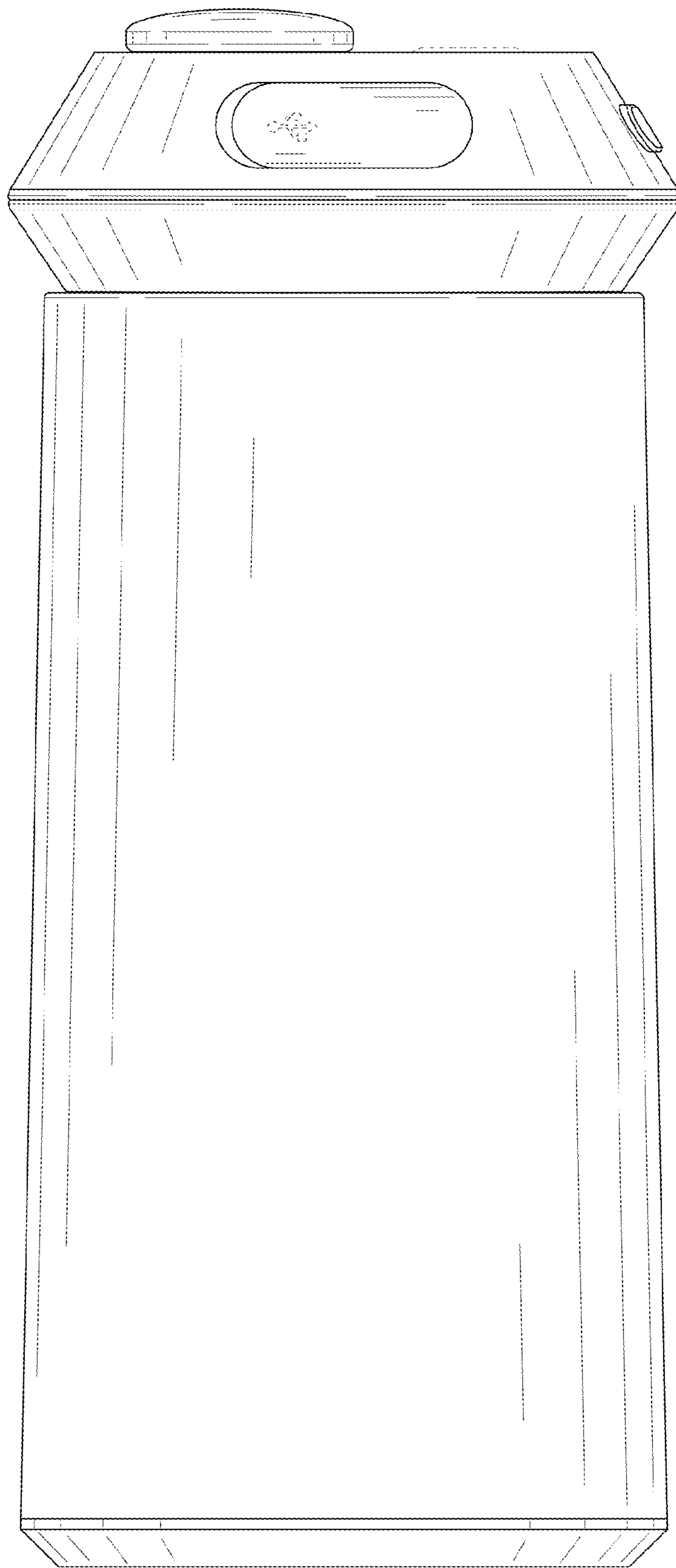


FIG. 4

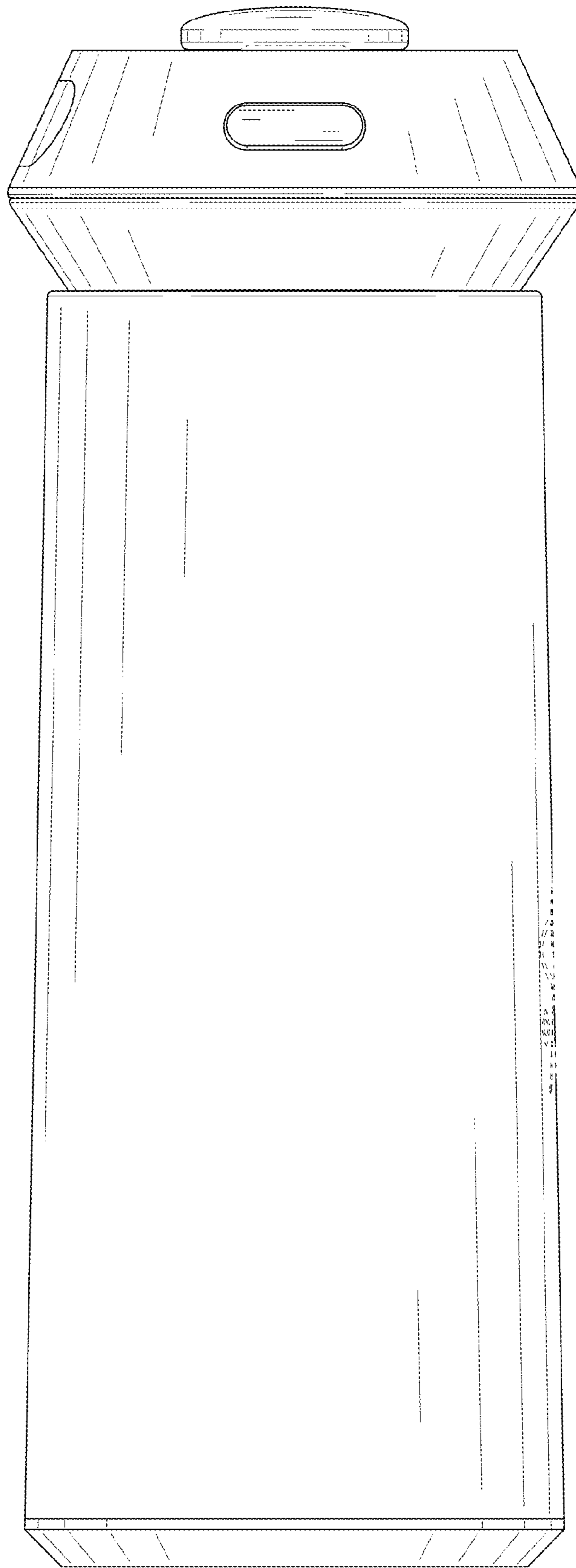


FIG. 5

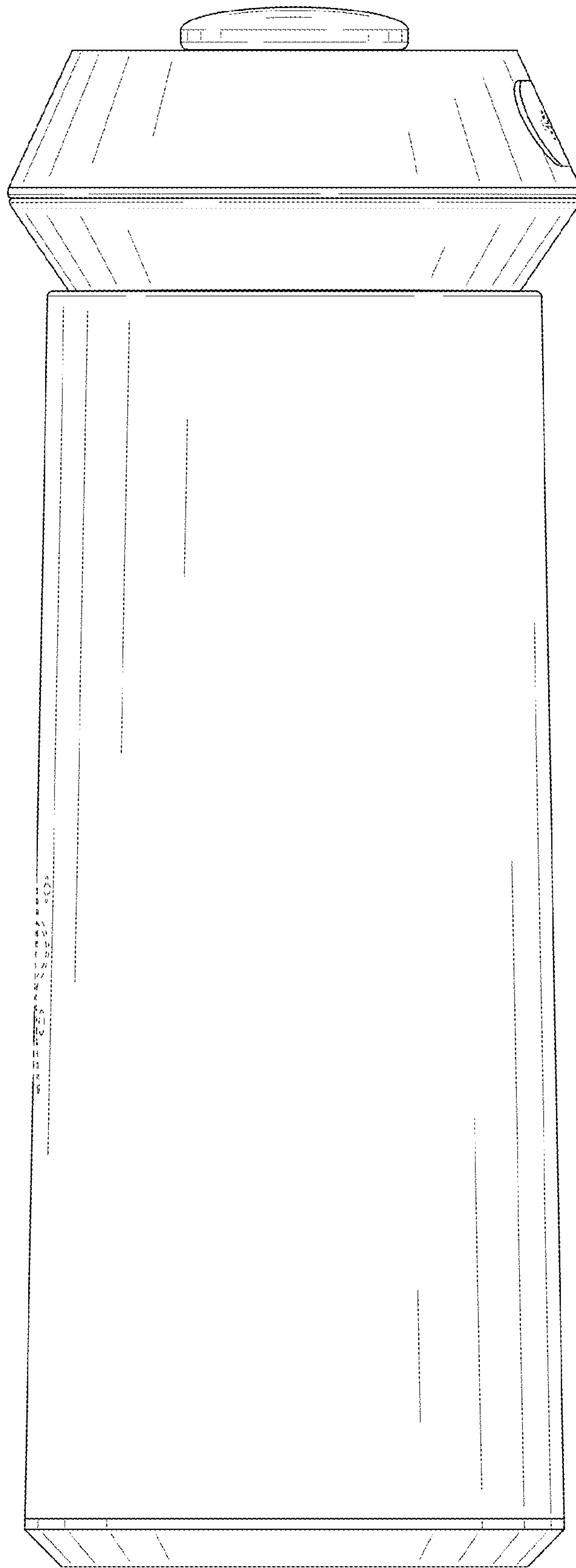


FIG. 6

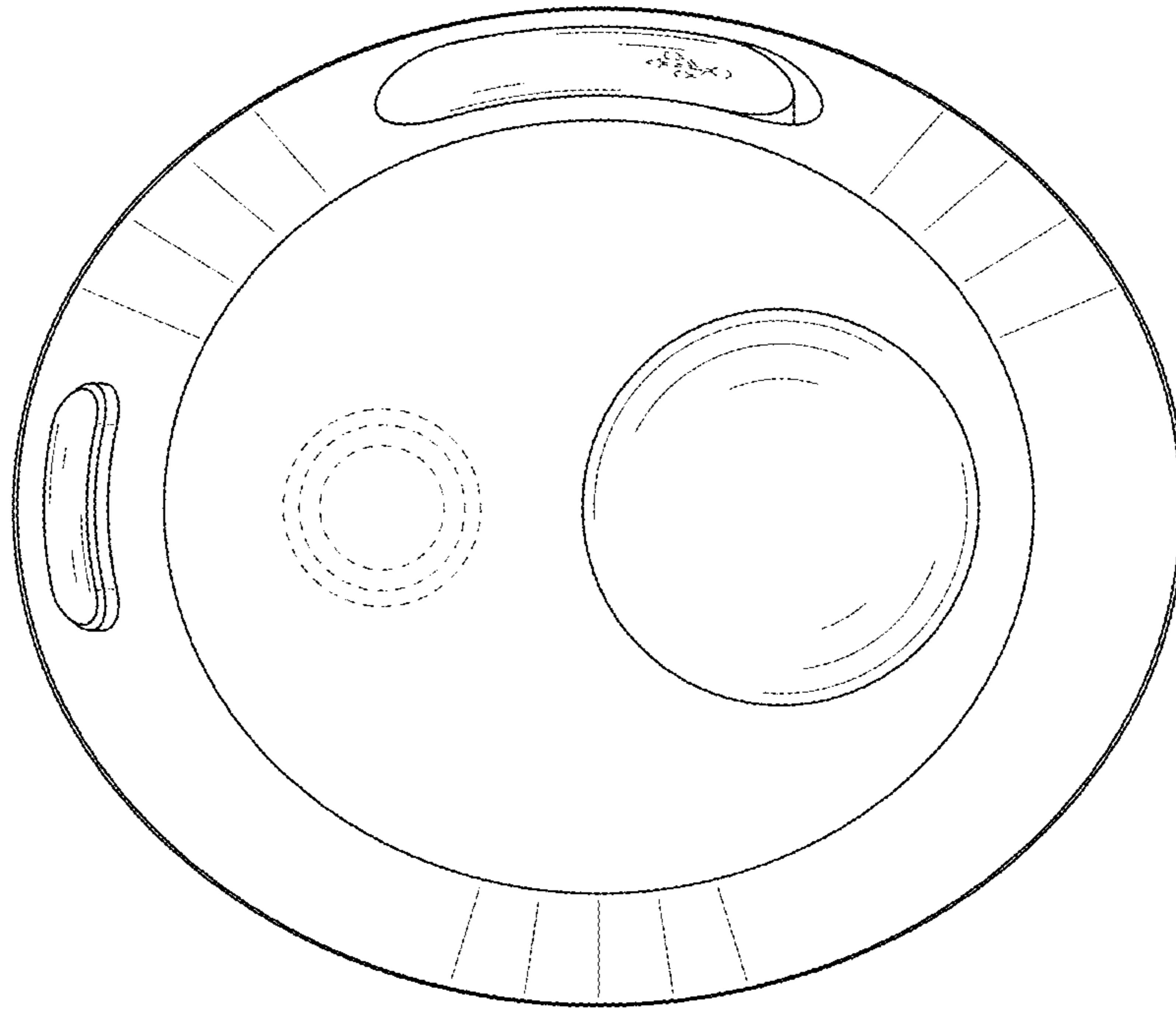


FIG. 7

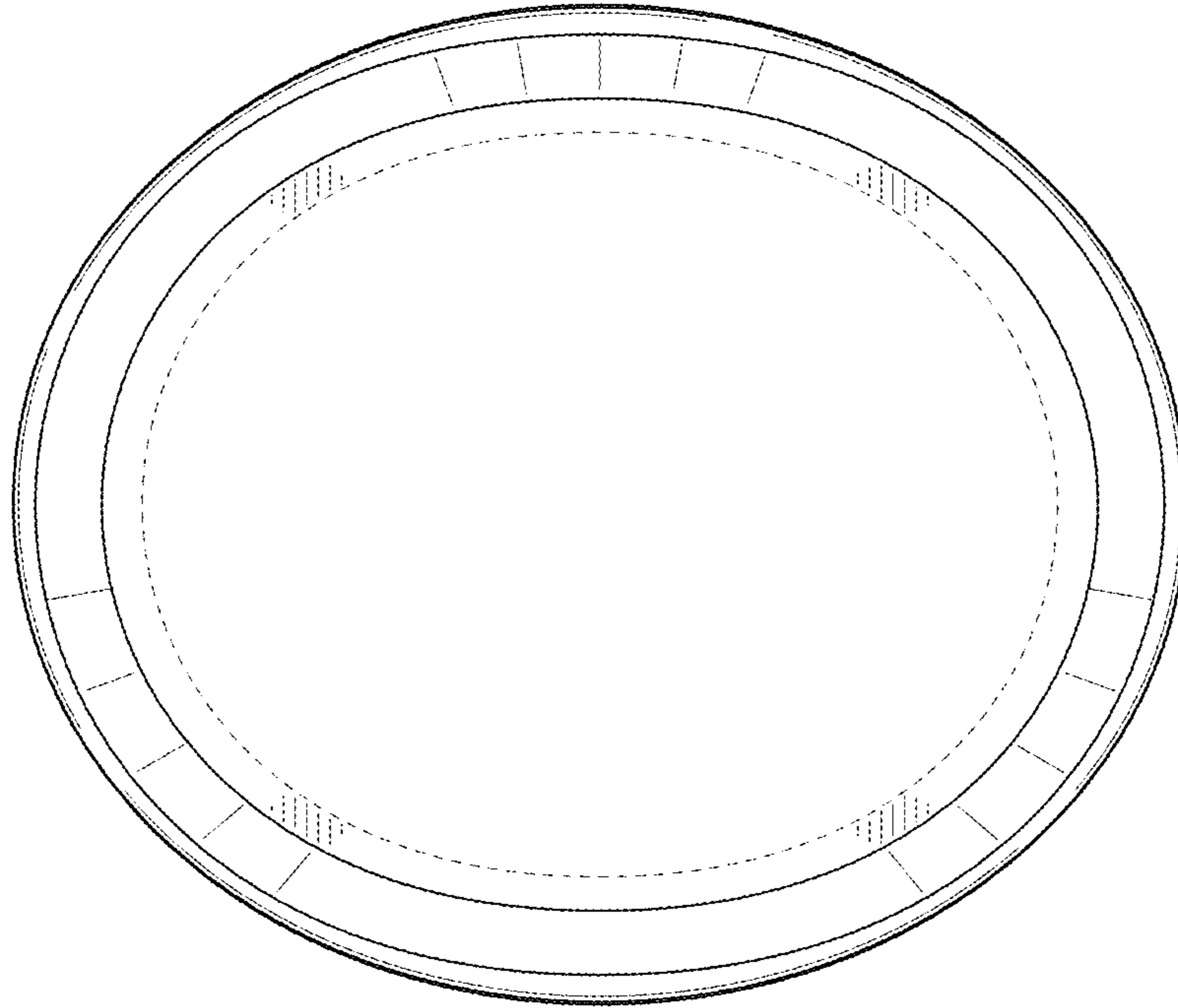


FIG. 8

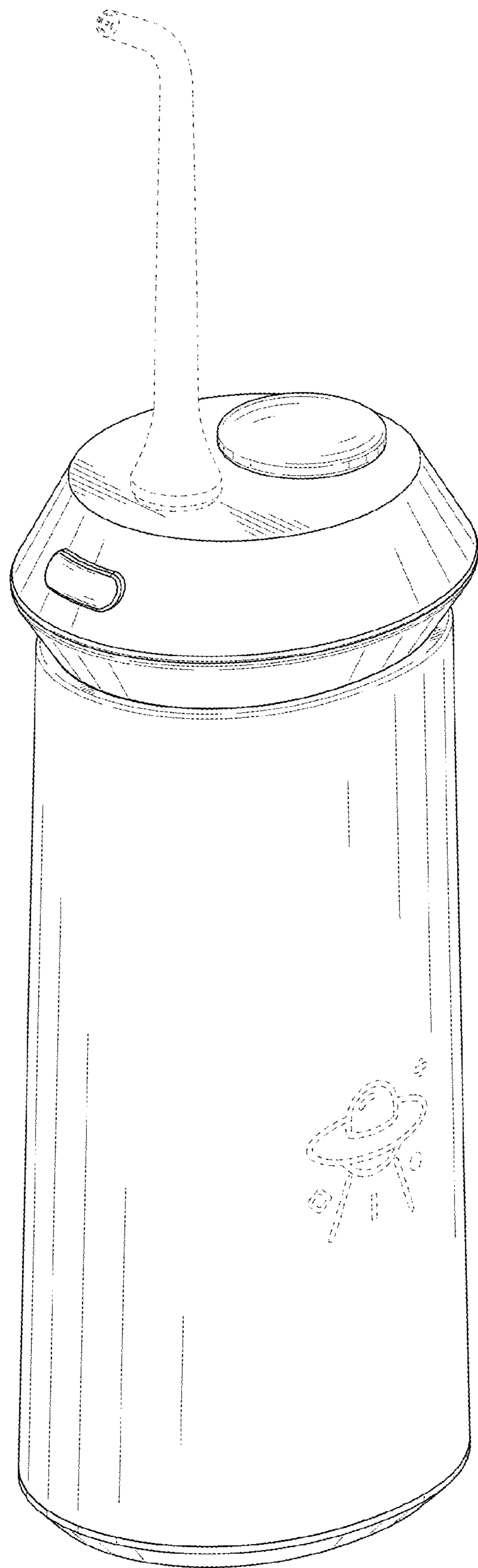


FIG. 9

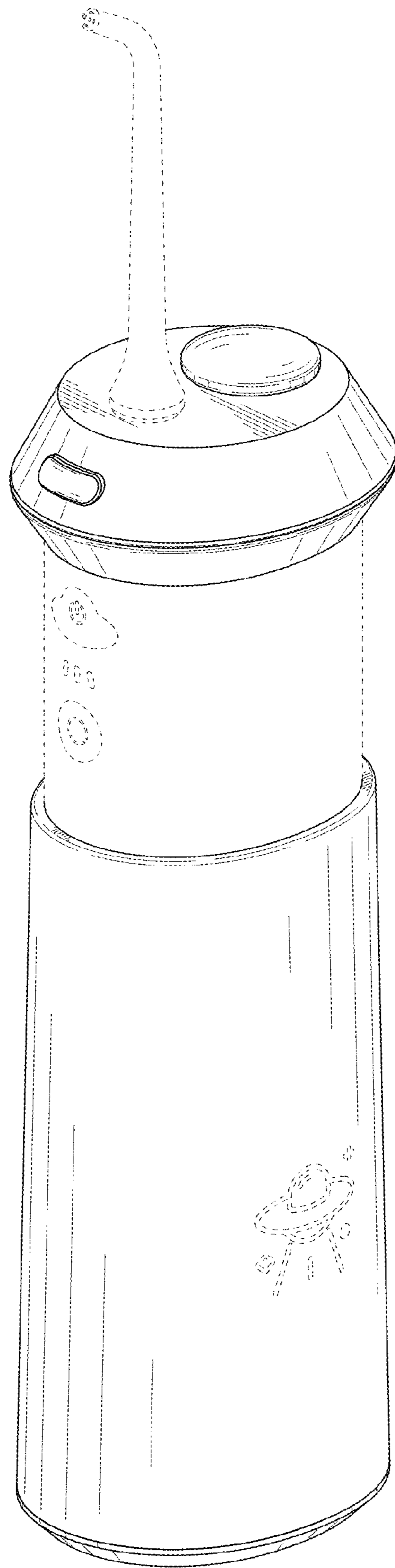


FIG. 10

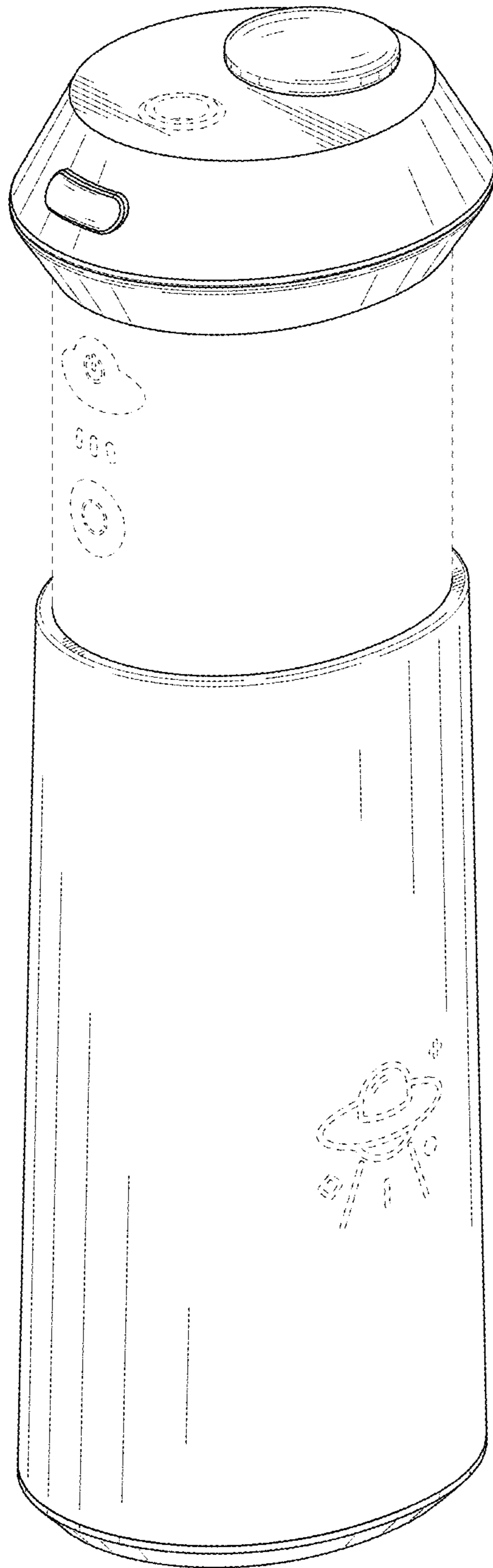


FIG. 11