



US00D967946S

(12) **United States Design Patent**
Lee

(10) **Patent No.:** **US D967,946 S**
(45) **Date of Patent:** **** Oct. 25, 2022**

- (54) **AROMA DIFFUSER**
- (71) Applicant: **Bloomy Lotus Ltd**, Hong Kong (HK)
- (72) Inventor: **Leander Lee**, Hong Kong (HK)
- (73) Assignee: **Bloomy Lotus Ltd**, Hong Kong (HK)
- (**) Term: **15 Years**
- (21) Appl. No.: **29/745,280**
- (22) Filed: **Aug. 5, 2020**

D861,847 S *	10/2019	Li	D23/366
D870,258 S *	12/2019	Song	D23/366
D895,092 S *	9/2020	Peng	D23/356
D925,720 S *	7/2021	Lee	D23/366
D931,432 S *	9/2021	Baillie	D23/356
D939,682 S *	12/2021	Chen	D23/366
2015/0117056 A1 *	4/2015	Hsiao	A61L 9/03 362/611

* cited by examiner

Primary Examiner — Gino Colan
Assistant Examiner — David Obrien

(30) **Foreign Application Priority Data**

Feb. 6, 2020 (HK) 2015541.8

- (51) **LOC (13) Cl.** **23-04**
- (52) **U.S. Cl.**
USPC **D23/366**

- (58) **Field of Classification Search**
USPC D23/332, 333, 351-369; D7/300.1, 506;
D11/143, 146; D14/188, 194, 195, 197,
D14/203.2, 203.6, 204, 209, 213, 215,
D14/216, 221, 228, 496; D32/30
CPC F24F 6/02; F24F 6/12; A61L 9/03; A61L
9/04; A61L 9/05; A61L 9/12; A61L 9/14;
A61L 9/012; A61L 9/015; A61L 9/048;
A61L 9/127; A61L 2209/133; Y10S
261/88; Y10S 261/89; A47G 7/06
See application file for complete search history.

(56) **References Cited**

U.S. PATENT DOCUMENTS

D698,429 S *	1/2014	Jorgensen	D23/366
D733,859 S *	7/2015	Hsiao	D23/366

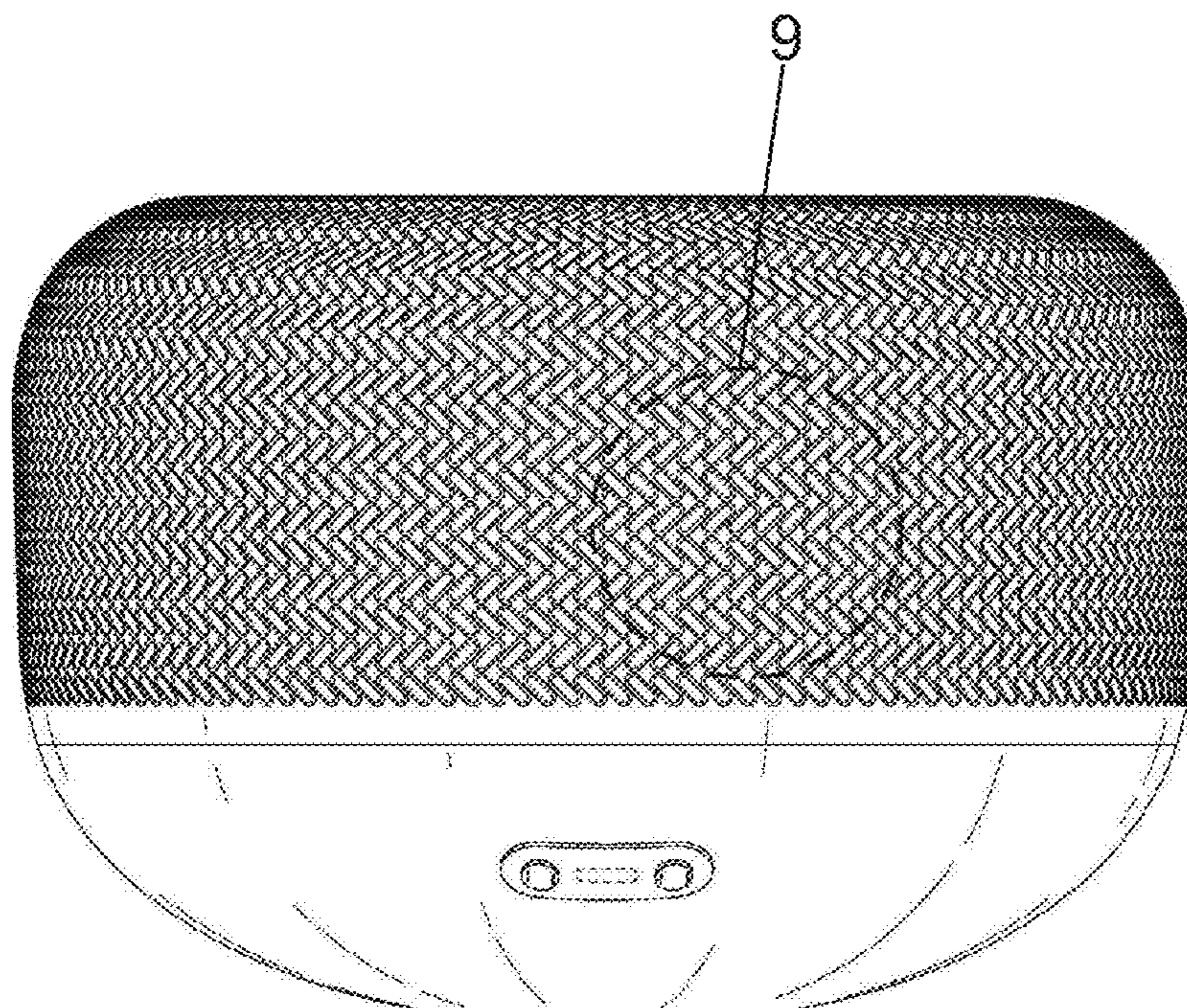
(57) **CLAIM**

The ornamental design for an aroma diffuser, as shown and described.

DESCRIPTION

FIG. 1 is a front elevational view of an aroma diffuser showing my new design;
 FIG. 2 is a rear elevational view thereof;
 FIG. 3 is a left side view thereof;
 FIG. 4 is a right side view thereof;
 FIG. 5 is a top plan view thereof;
 FIG. 6 is a bottom plan view thereof;
 FIG. 7 is a top perspective view thereof;
 FIG. 8 is a bottom and rear perspective view thereof;
 FIG. 9 is an enlarged view of portion 9 in FIG. 2; and,
 FIG. 10 is an enlarged view of portion 10 in FIG. 7.
 The broken lines in the drawings illustrate portions of the aroma diffuser which form no part of the claimed design.

1 Claim, 10 Drawing Sheets



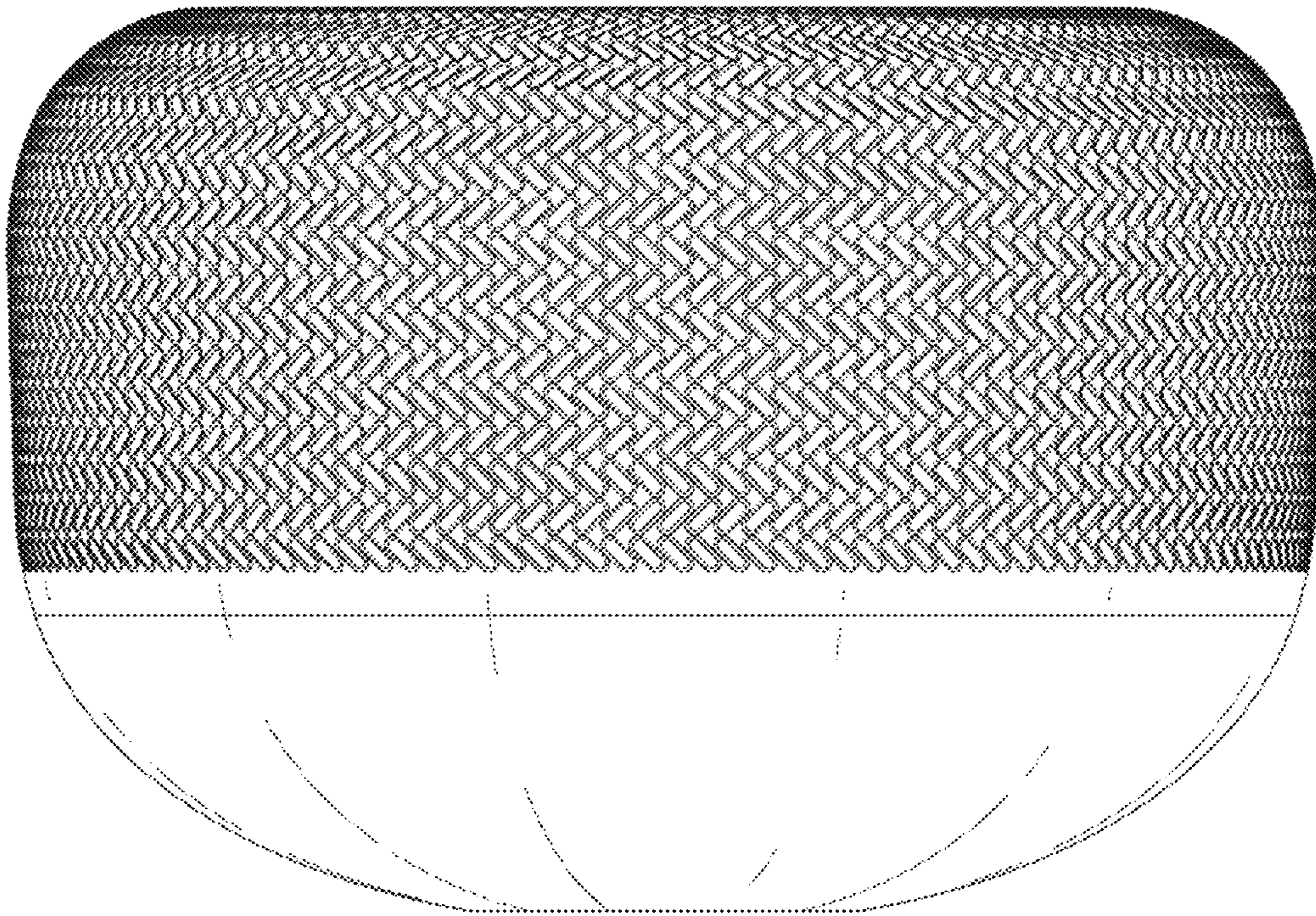


Fig. 1

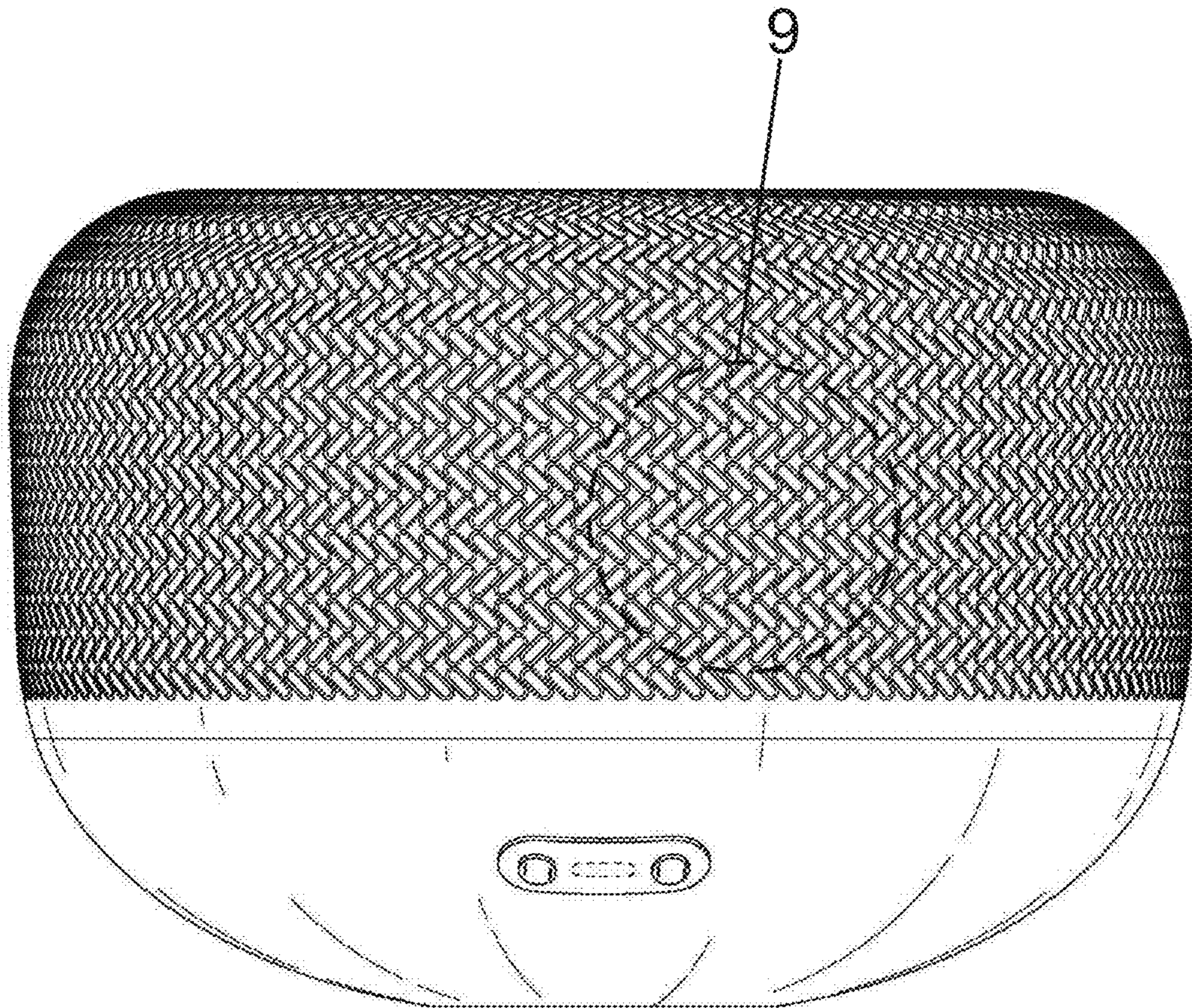


Fig. 2

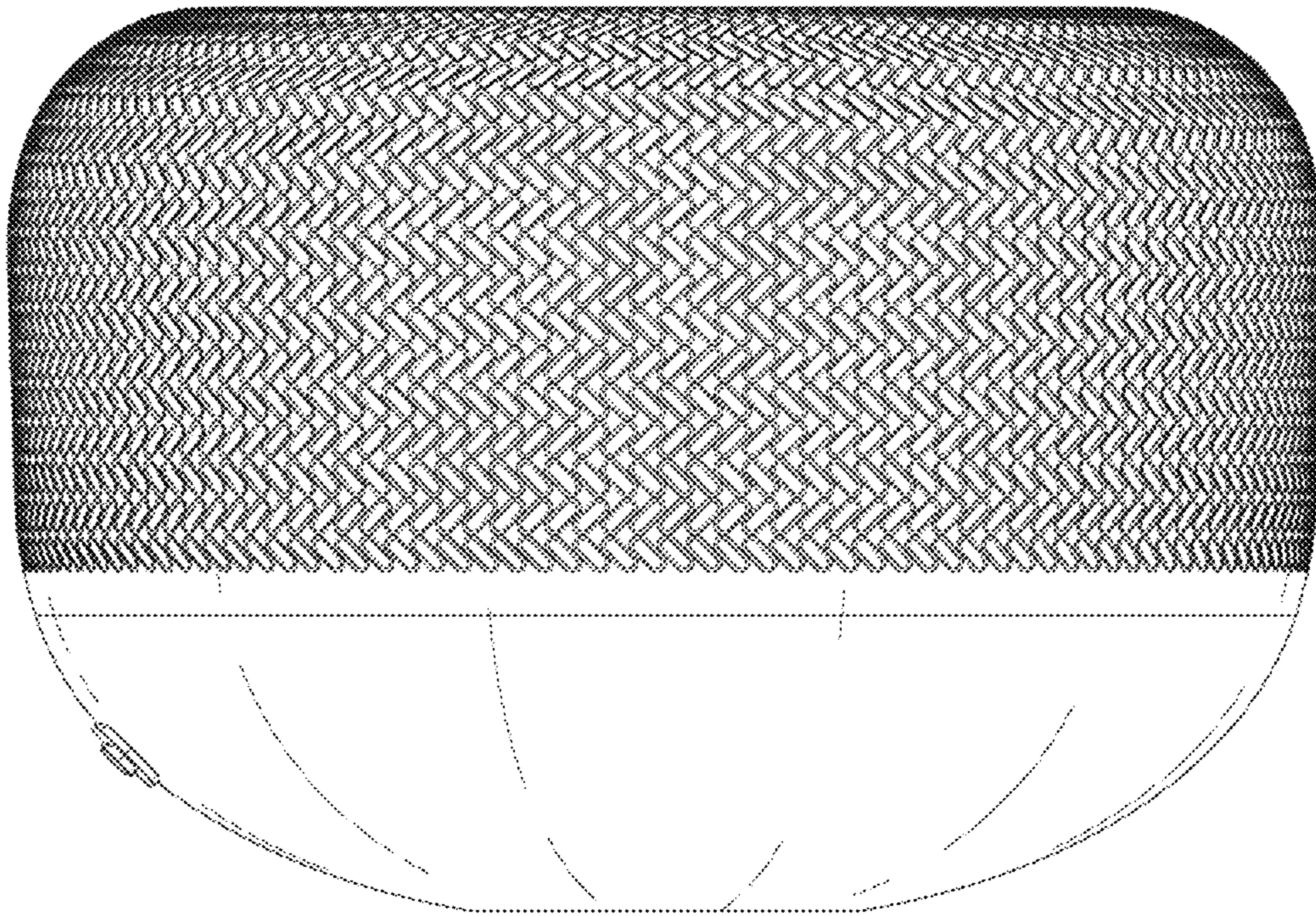


Fig. 3

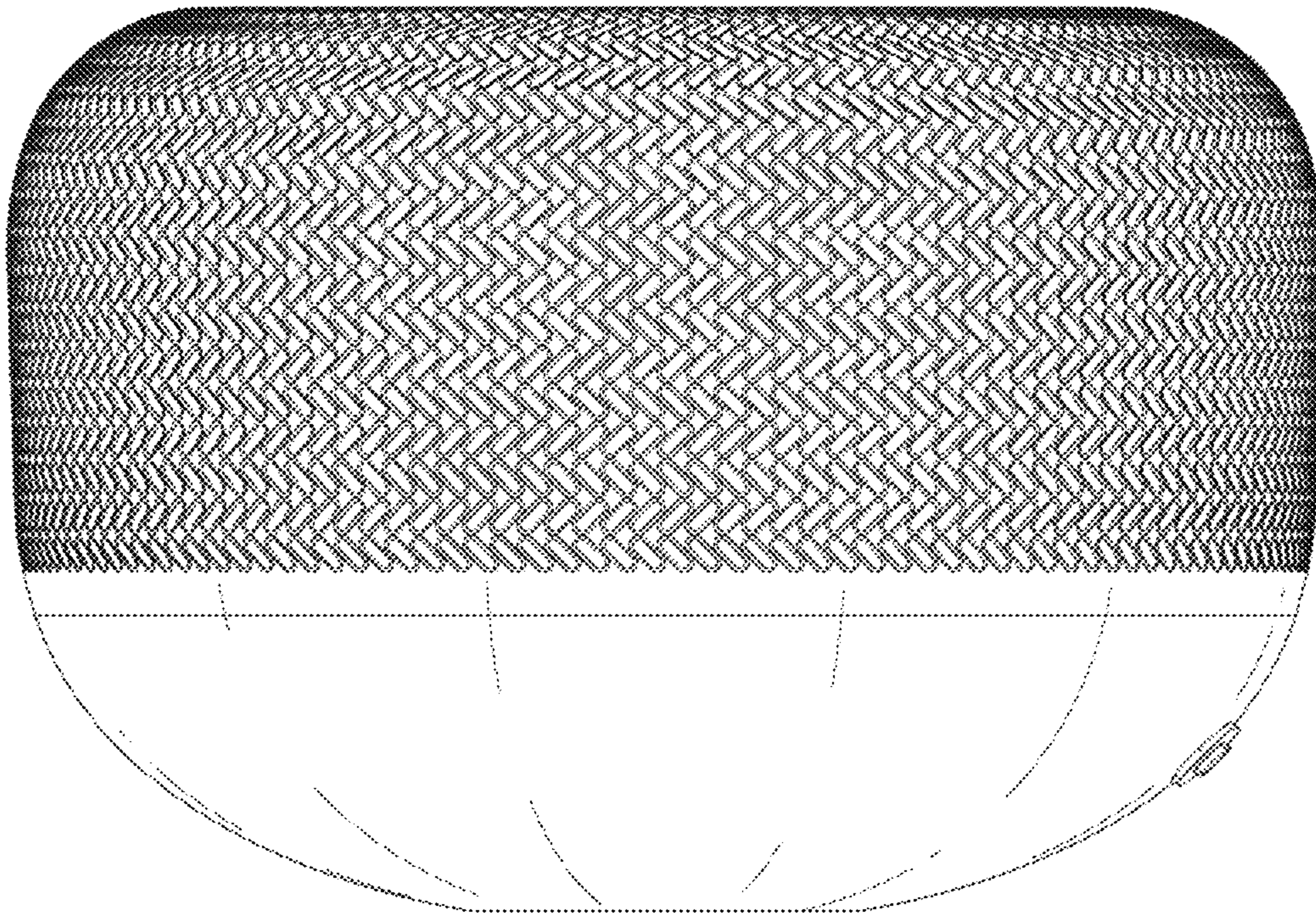


Fig. 4

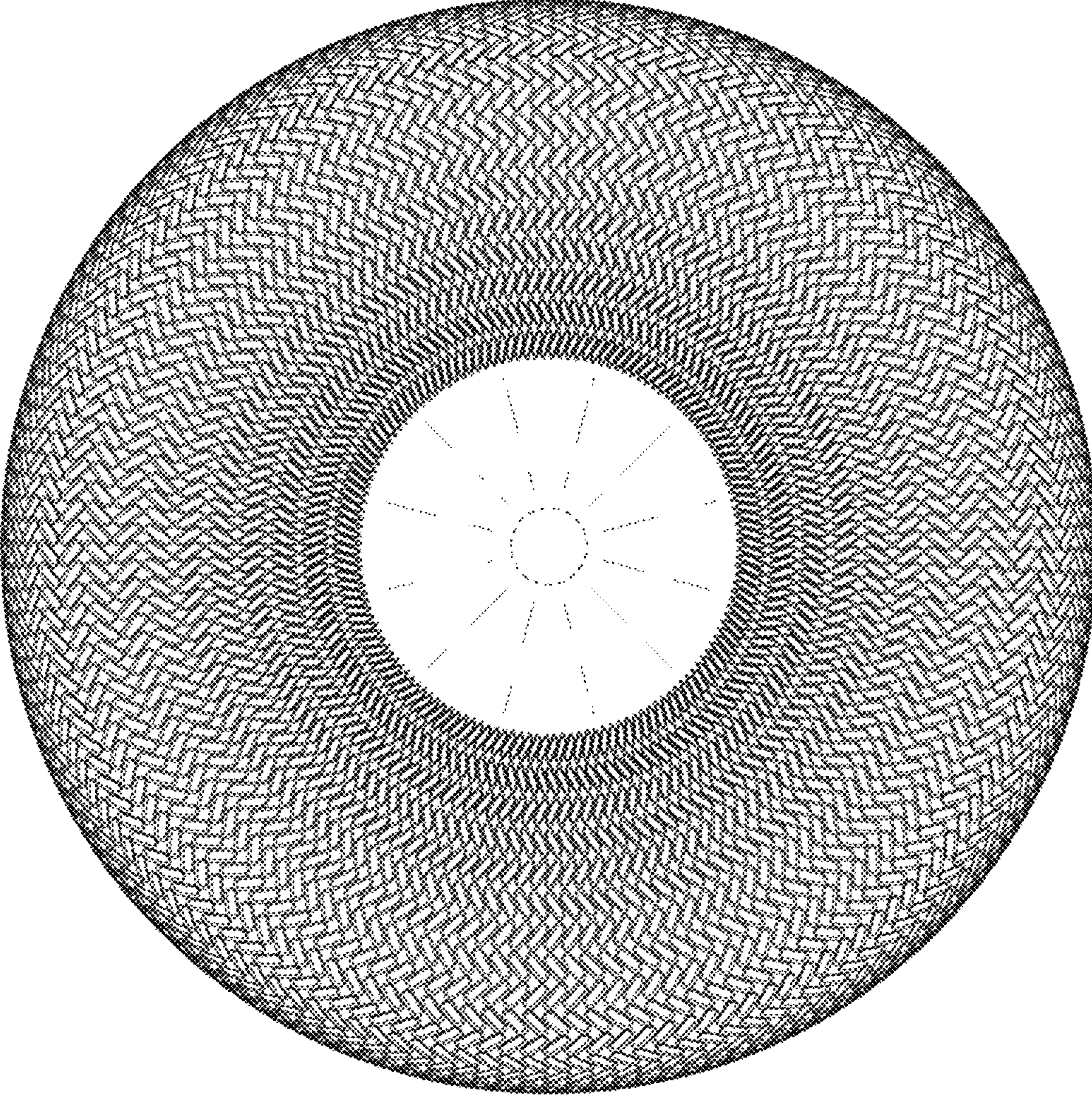


Fig. 5

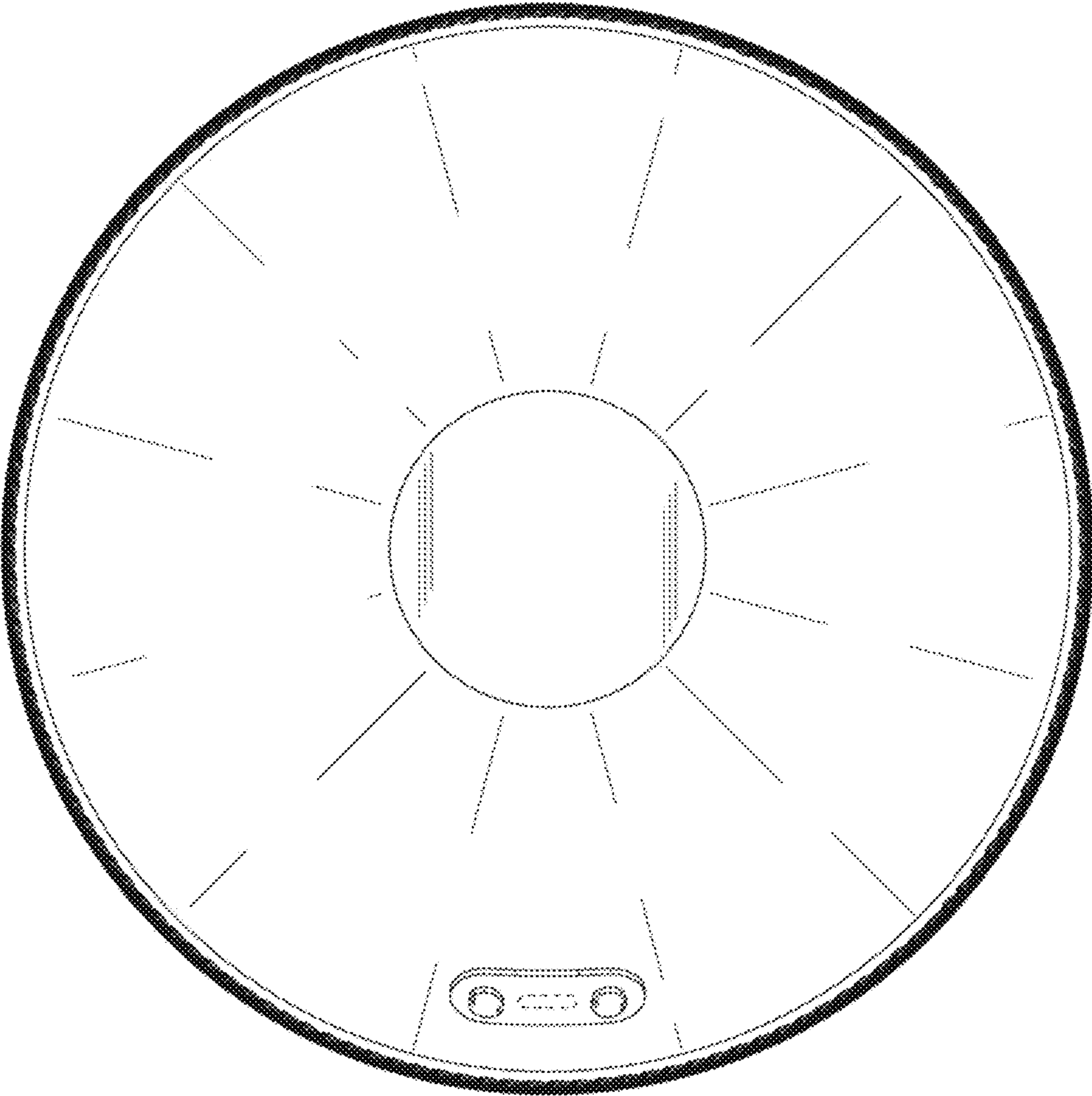


Fig. 6

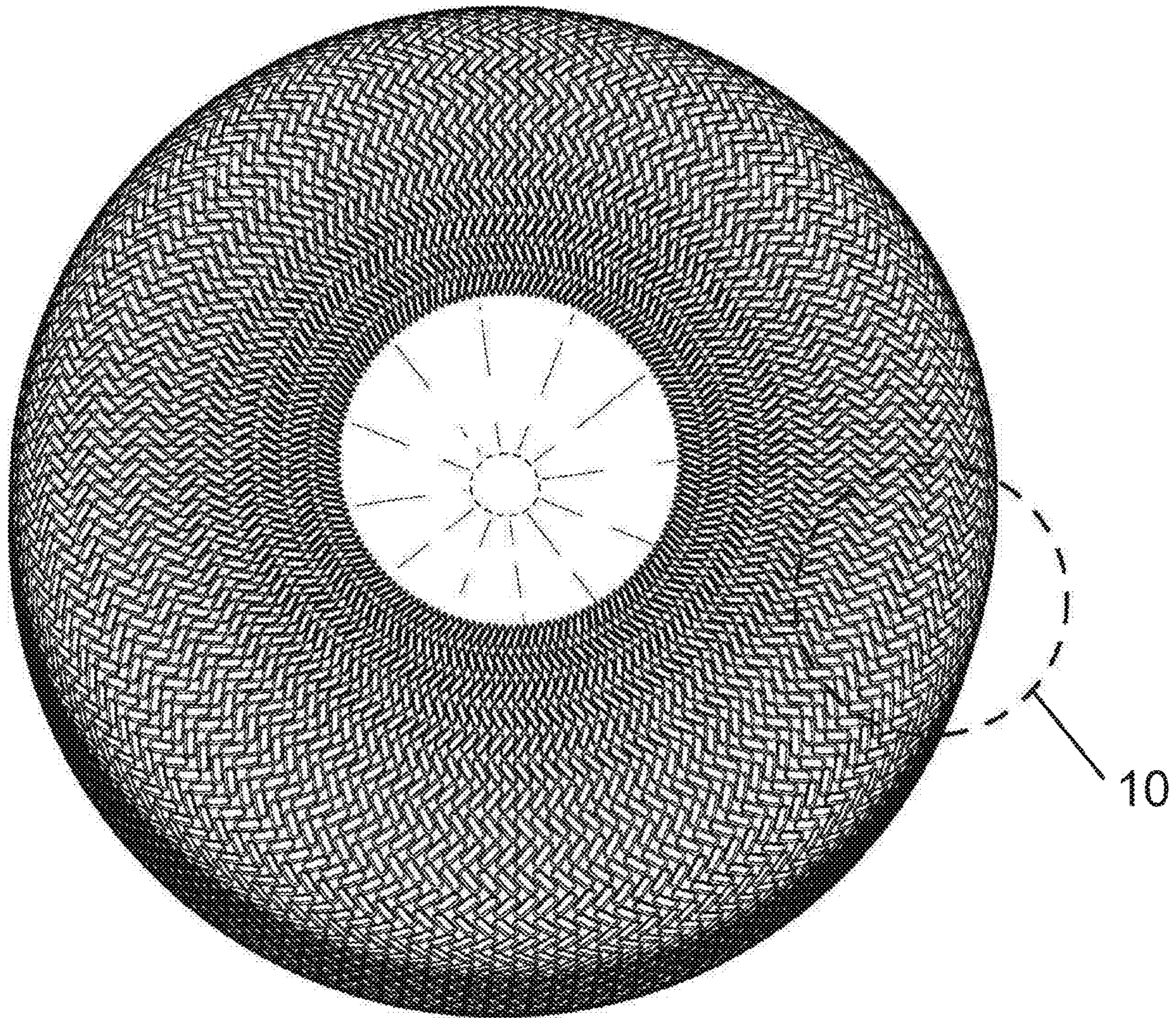


Fig. 7

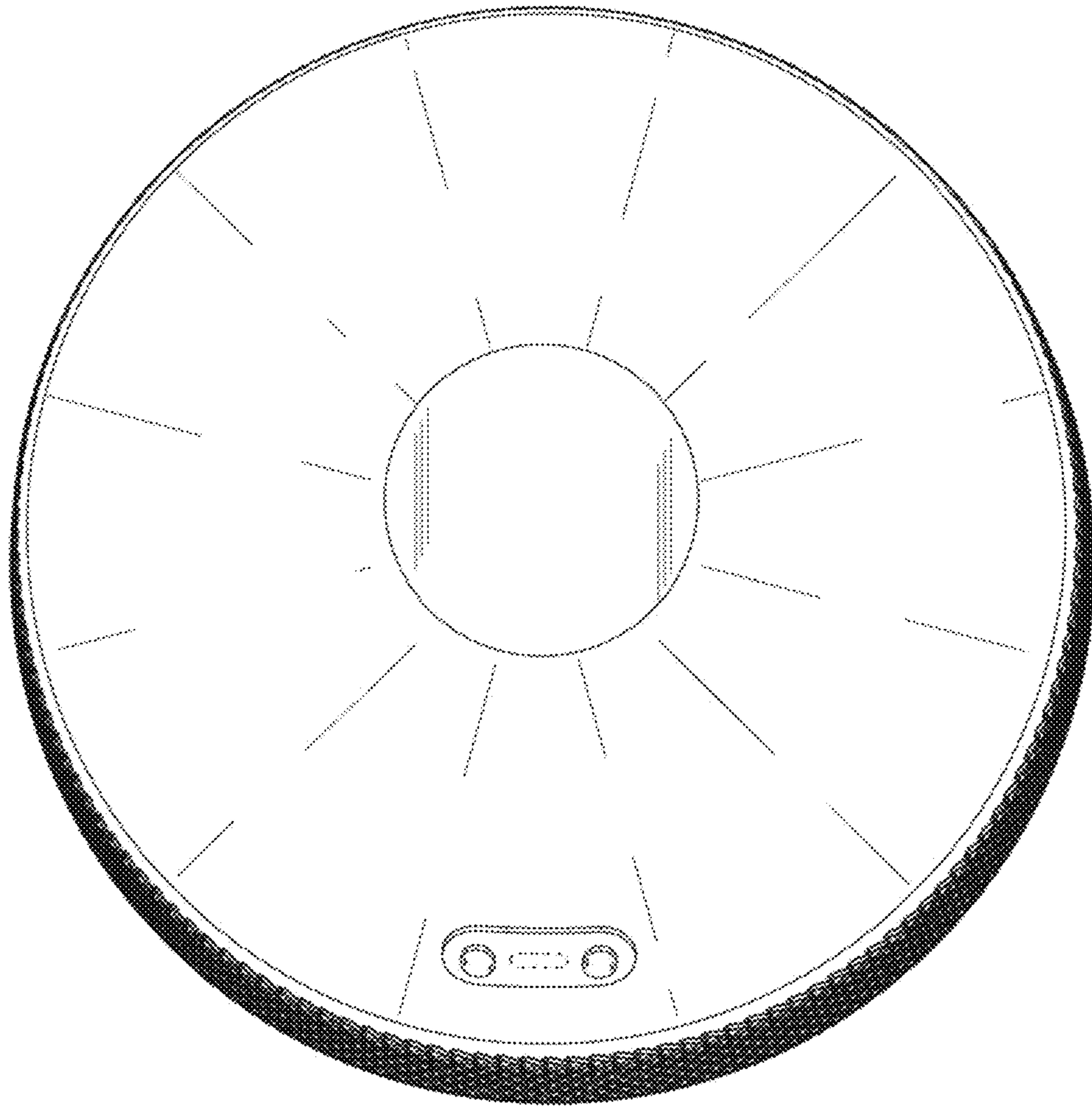


Fig. 8

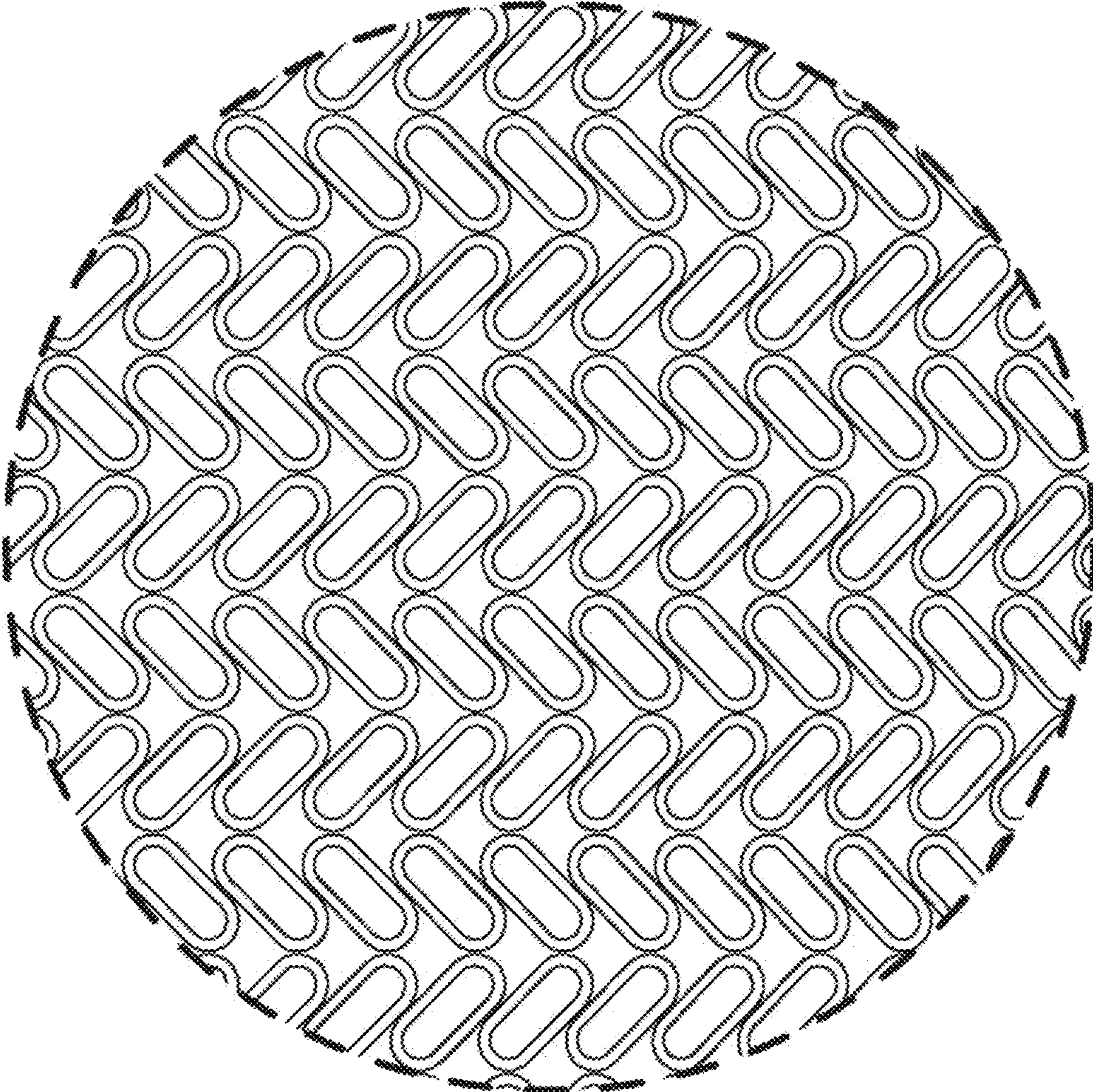


Fig. 9

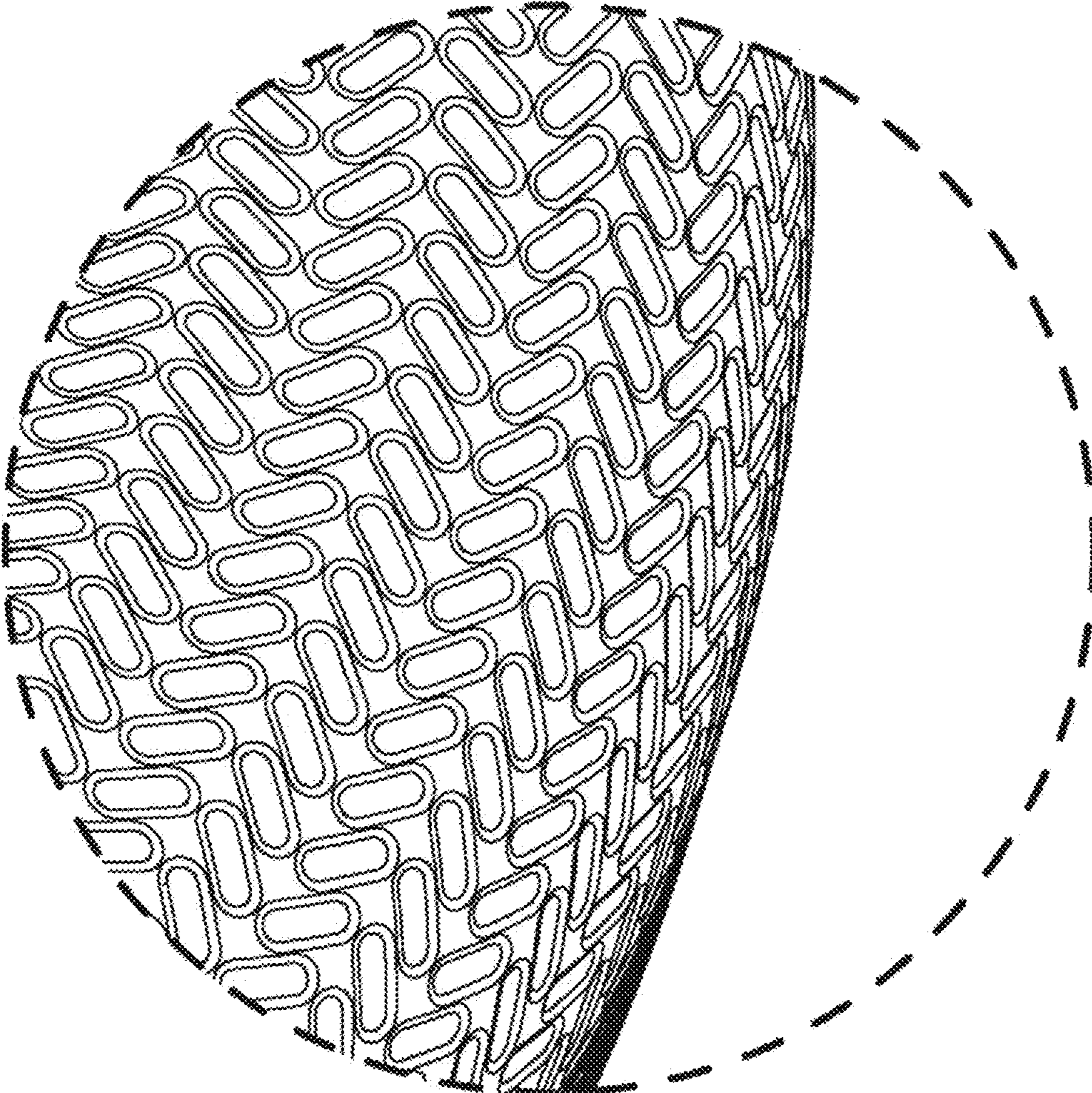


Fig. 10