

US00D967944S

(12) **United States Design Patent** (10) **Patent No.:** **US D967,944 S**
Li (45) **Date of Patent:** **** Oct. 25, 2022**

(54) **HUMIDIFIER**

Primary Examiner — David G Muller

(71) Applicant: **Ruibao Li**, Shijiazhuang (CN)

(57) **CLAIM**

(72) Inventor: **Ruibao Li**, Shijiazhuang (CN)

The ornamental design for a humidifier, as shown and described.

(**) Term: **15 Years**

DESCRIPTION

(21) Appl. No.: **29/813,328**

(22) Filed: **Oct. 27, 2021**

(51) **LOC (13) Cl.** **23-04**

(52) **U.S. Cl.**
USPC **D23/356**

(58) **Field of Classification Search**
USPC D23/355-366, 352, 369, 332, 333, 335,
D23/336, 342, 351
CPC .. A61L 9/16; A61L 9/22; B01D 47/00; B01D
47/027; B01D 2221/02; B01D 2259/4508;
B03C 3/155; B03C 3/368; F24F 3/16;
F24F 13/20; F24F 13/28

See application file for complete search history.

FIG. 1 is a perspective view of a first embodiment of a humidifier showing my new design;
FIG. 2 is another perspective view thereof;
FIG. 3 is a front elevational view thereof;
FIG. 4 is a rear elevational view thereof;
FIG. 5 is a left side elevational view thereof;
FIG. 6 is a right side elevational view thereof;
FIG. 7 is a top plan view thereof;
FIG. 8 is a bottom plan view thereof;
FIG. 9 is a cross-sectional view taken along the line 9-9 shown in FIG. 7;
FIG. 10 is a perspective view of a second embodiment of the humidifier;
FIG. 11 is another perspective view thereof;
FIG. 12 is a front elevational view thereof;
FIG. 13 is a rear elevational view thereof;
FIG. 14 is a left side elevational view thereof;
FIG. 15 is a right side elevational view thereof;
FIG. 16 is a top plan view thereof;
FIG. 17 is a bottom plan view thereof; and,
FIG. 18 is a cross-sectional view taken along the line 18-18 shown in FIG. 16.

The broken lines in the drawings depict portions of the humidifier that form no part of the claimed design.

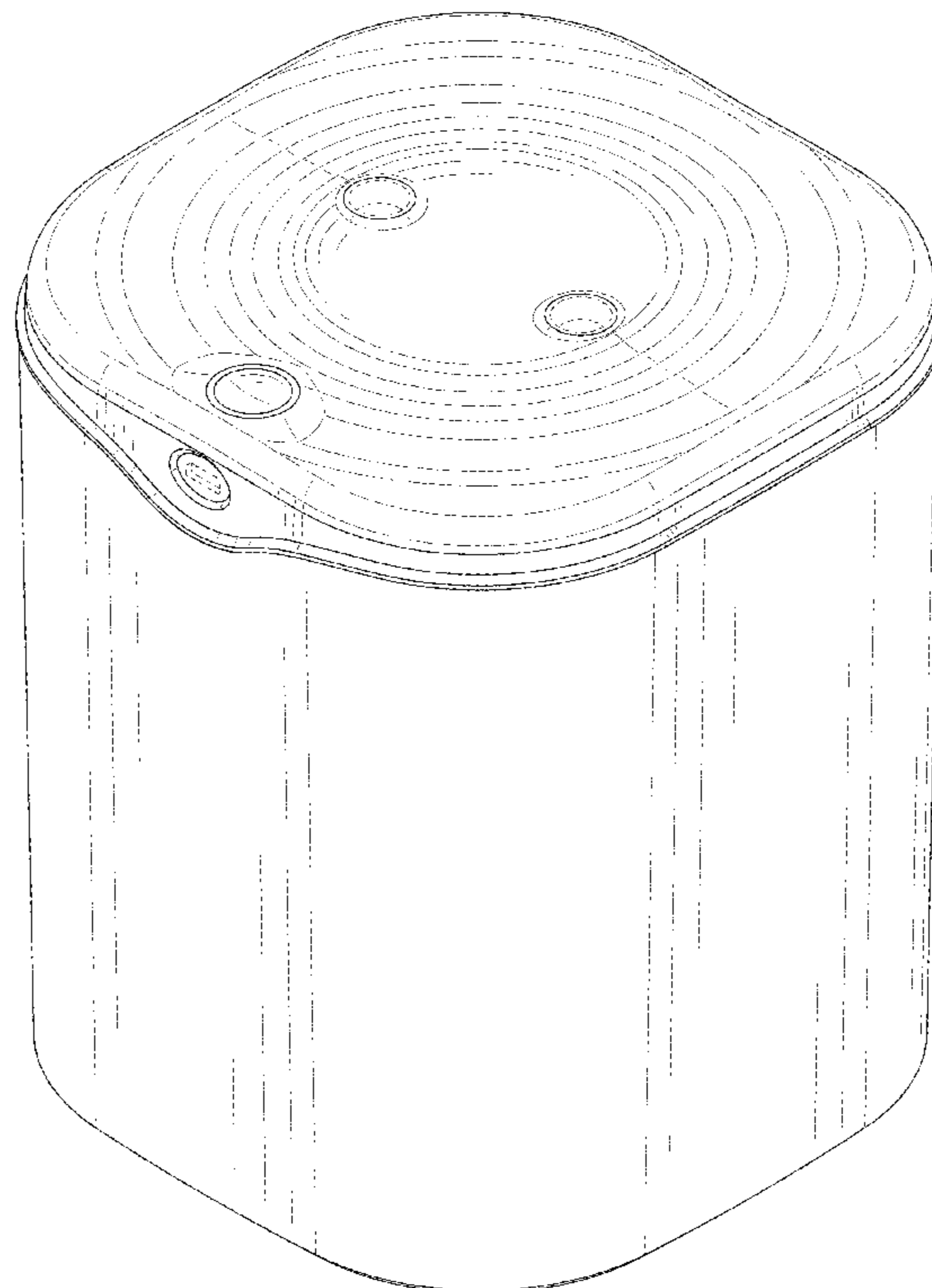
(56) **References Cited**

U.S. PATENT DOCUMENTS

D651,301 S	*	12/2011	Albee	D23/366
D733,273 S	*	6/2015	Jeon	D23/333
D828,527 S		9/2018	Xu		
D849,218 S		5/2019	Liang		
D909,556 S	*	2/2021	Chen	F24F 11/30
					D23/356
D948,010 S	*	4/2022	Xu	D23/356
D952,814 S	*	5/2022	Tang	D23/356

* cited by examiner

1 Claim, 18 Drawing Sheets



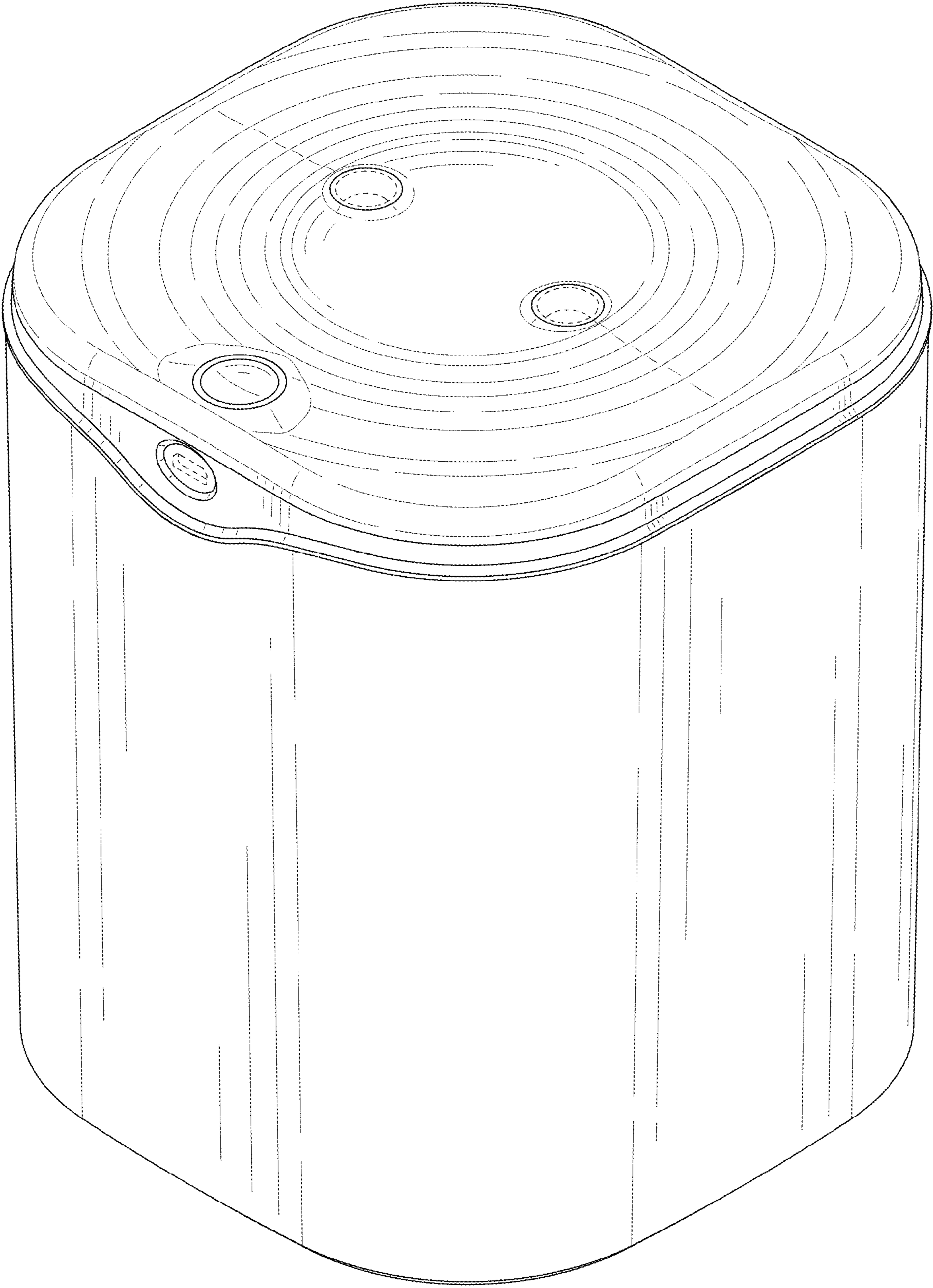


FIG. 1

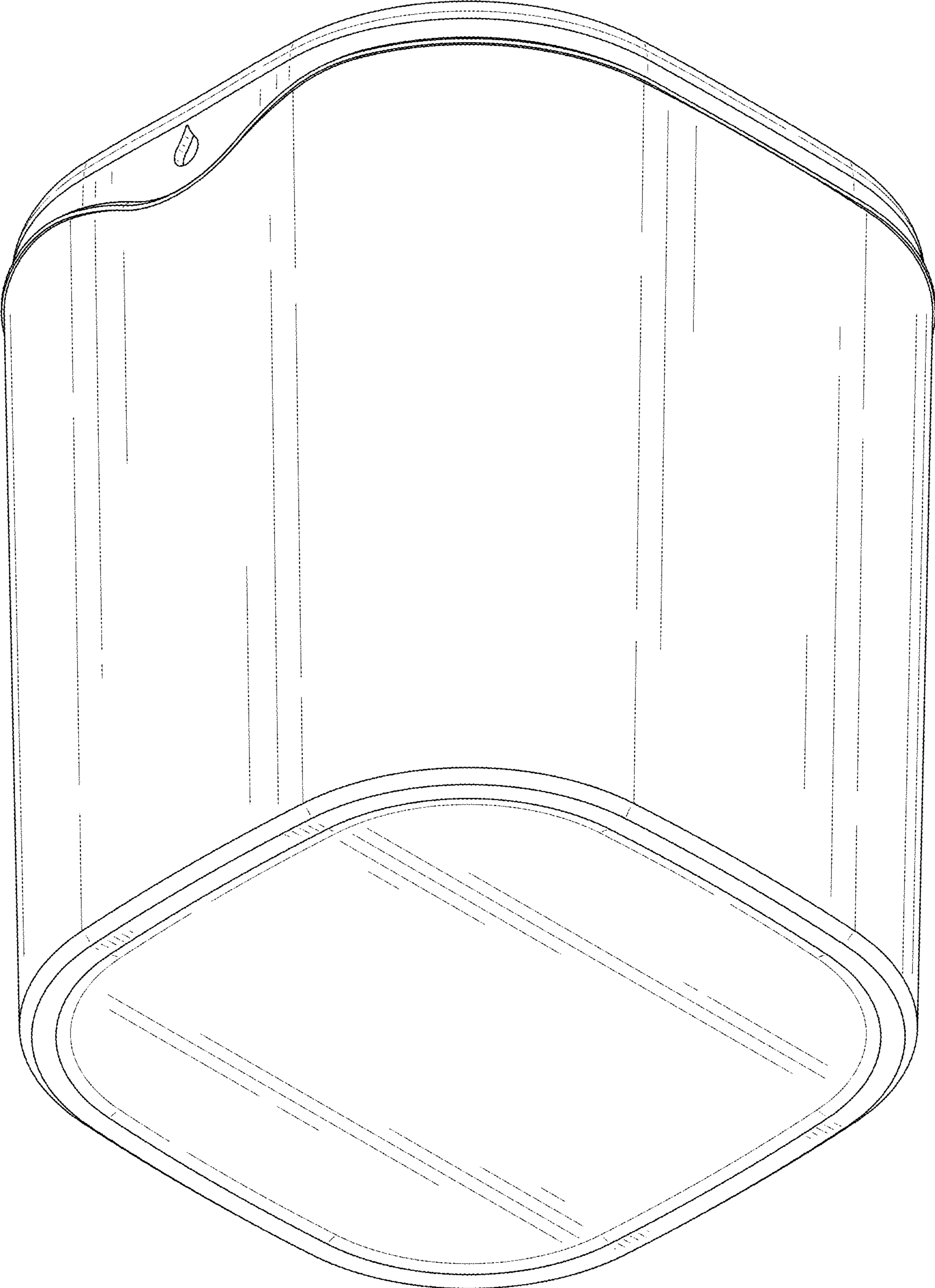


FIG. 2

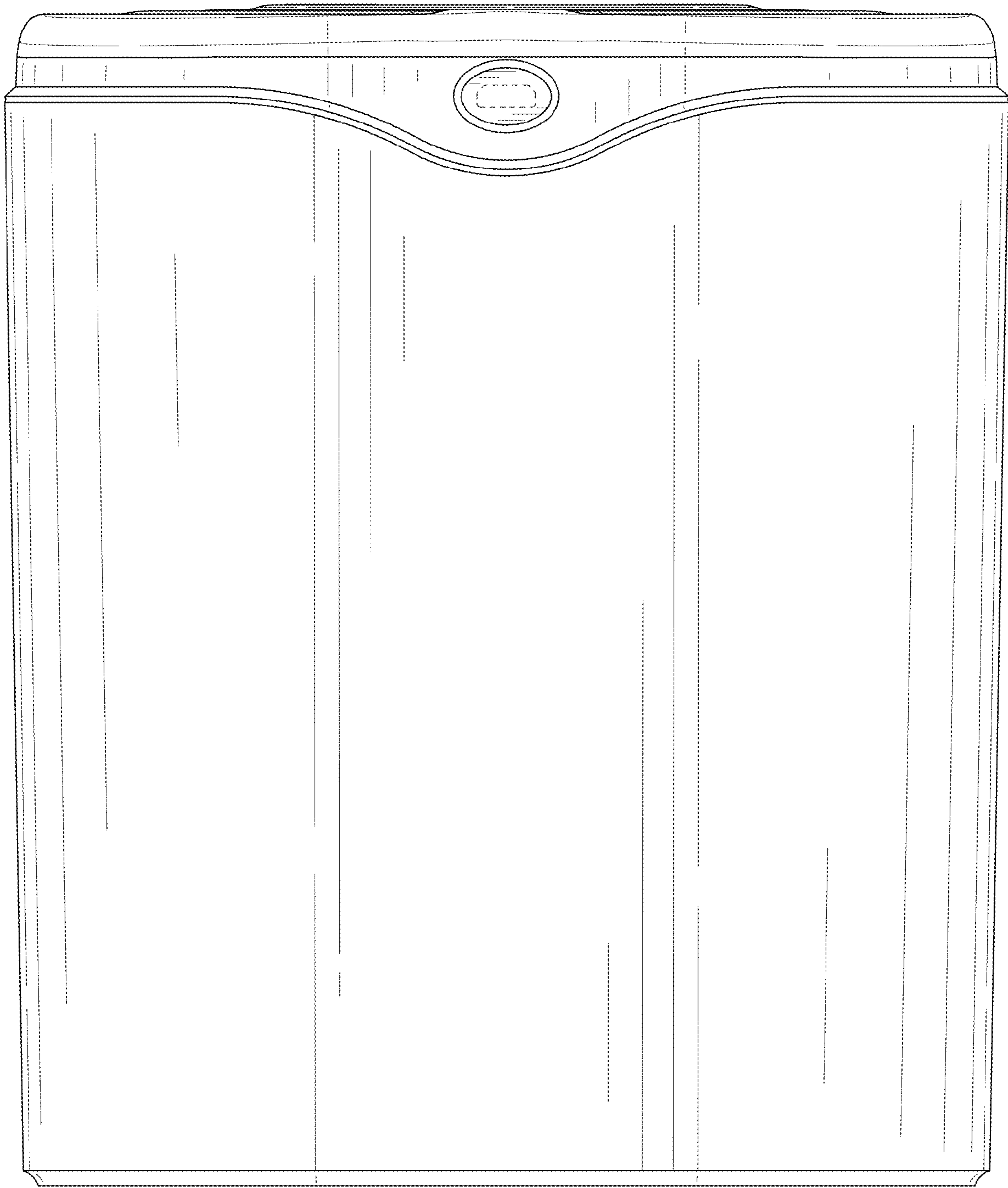


FIG. 3

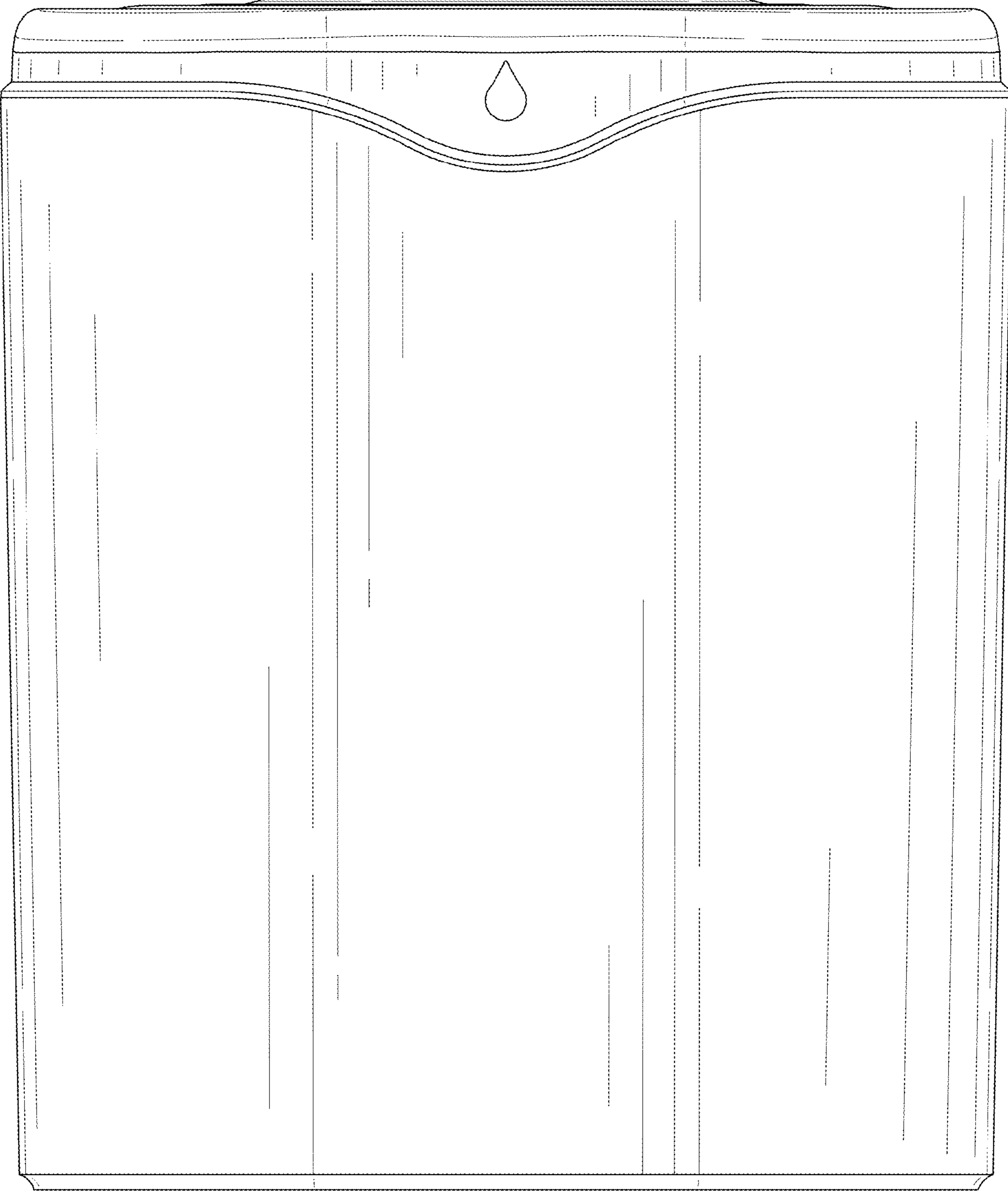


FIG. 4

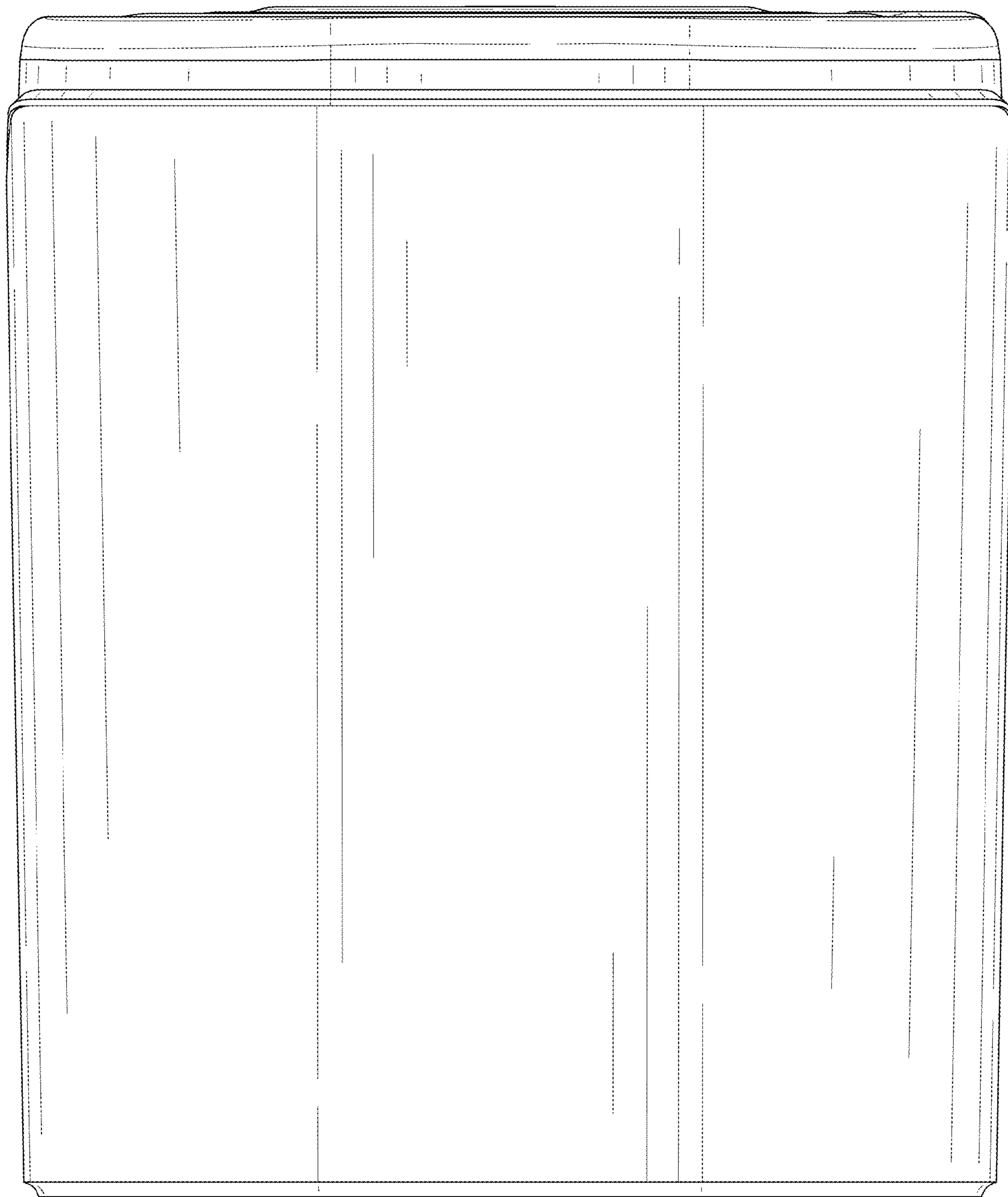


FIG. 5

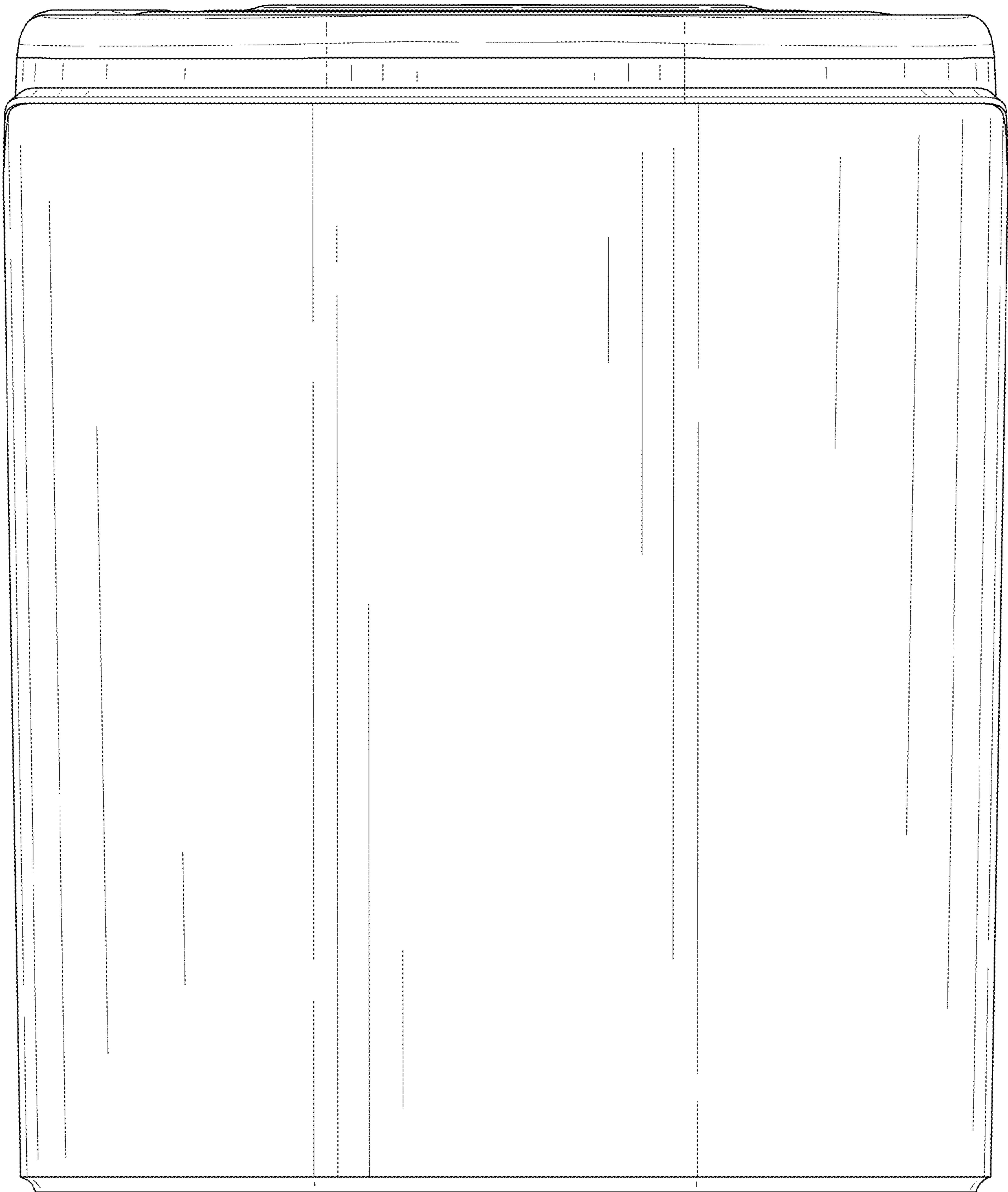


FIG. 6

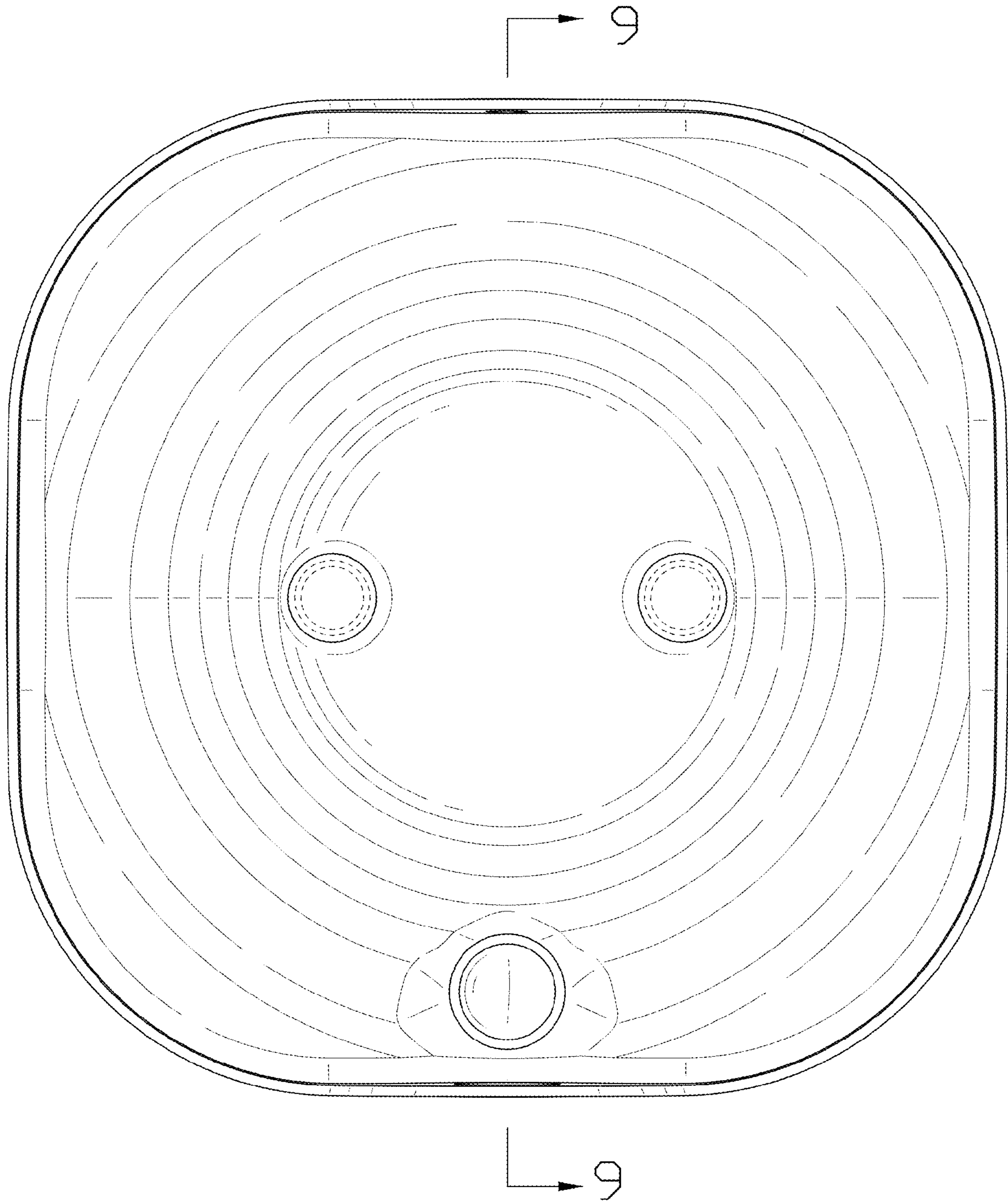


FIG. 7

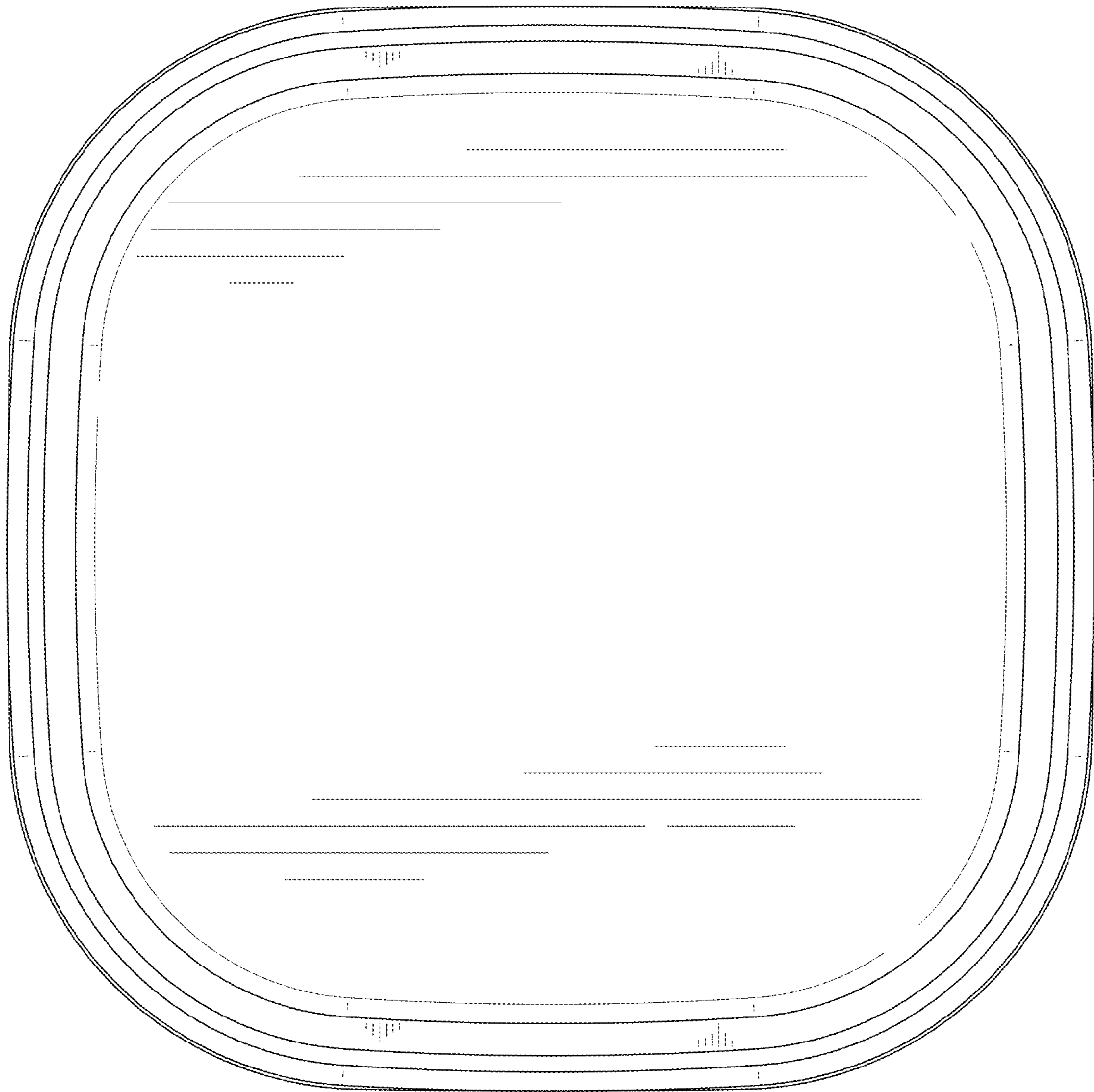


FIG. 8

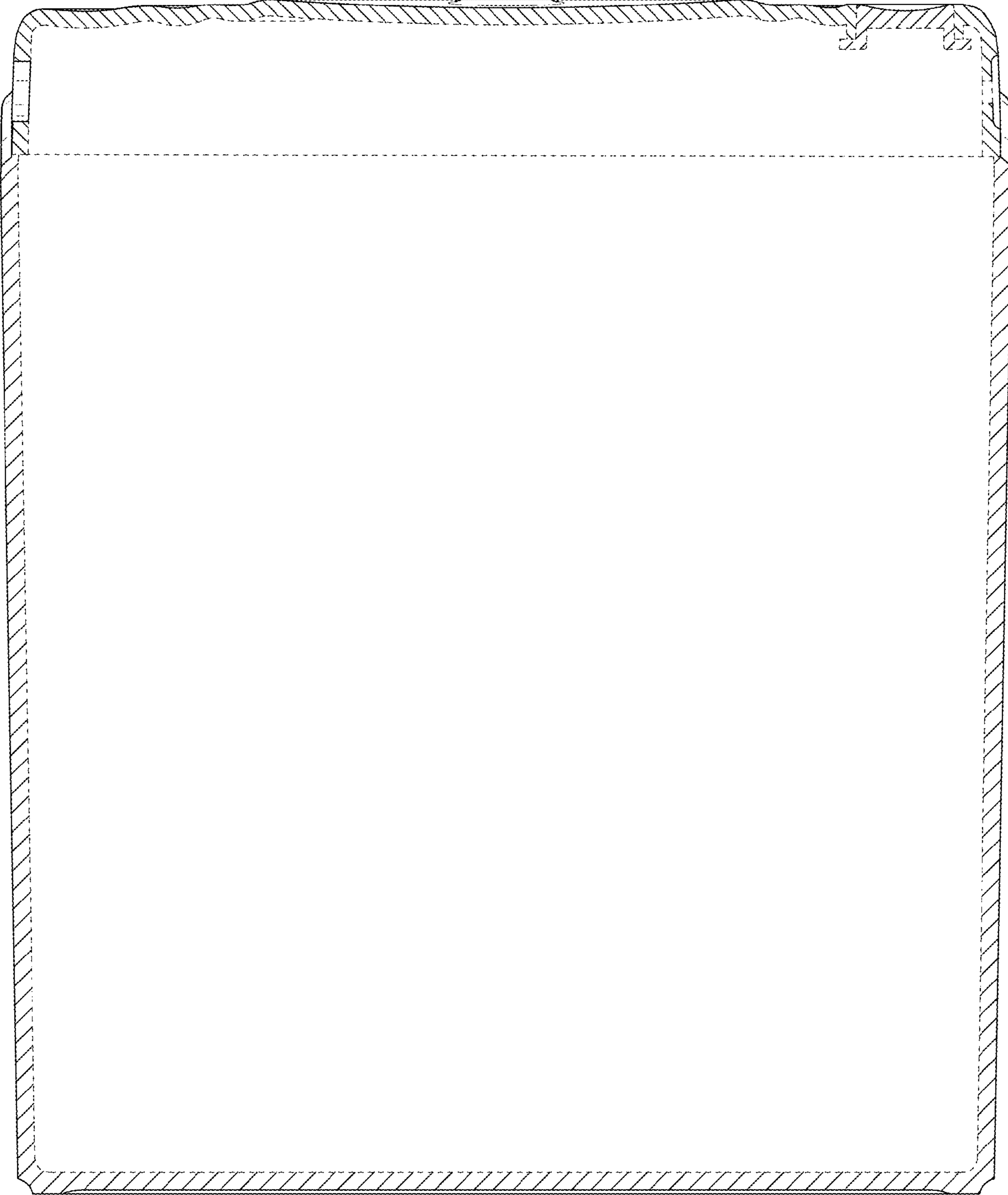


FIG. 9

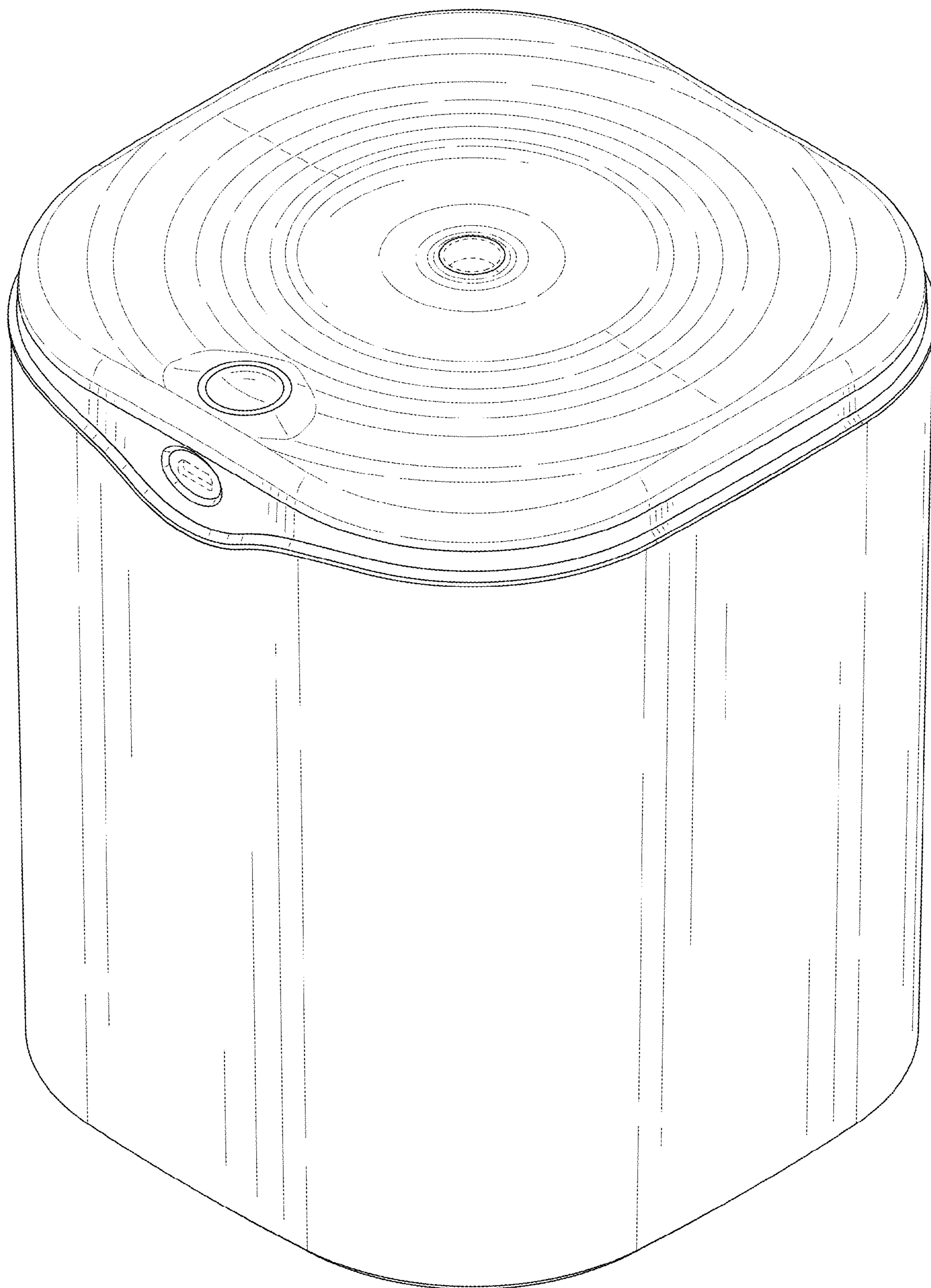


FIG. 10

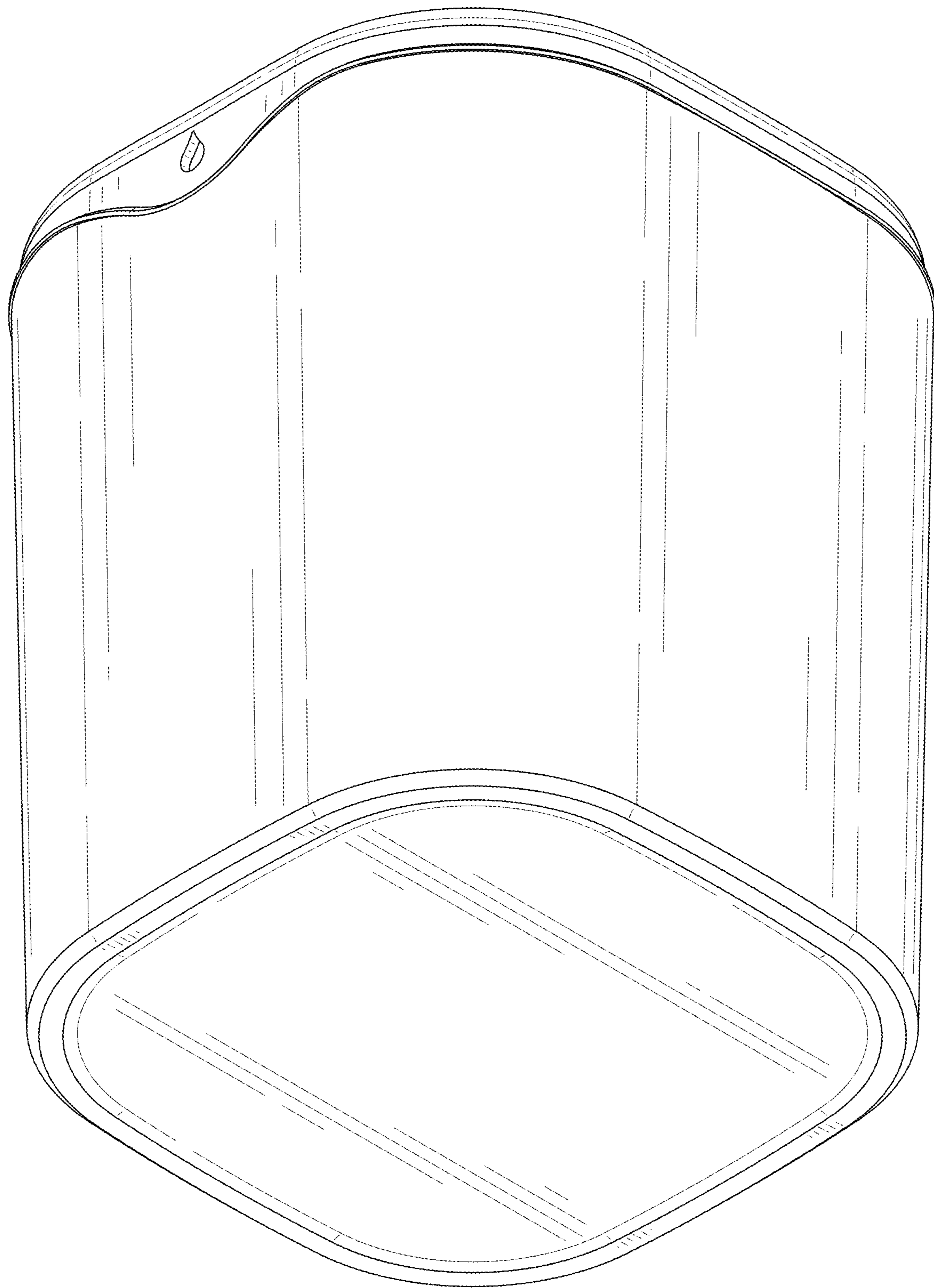


FIG. 11

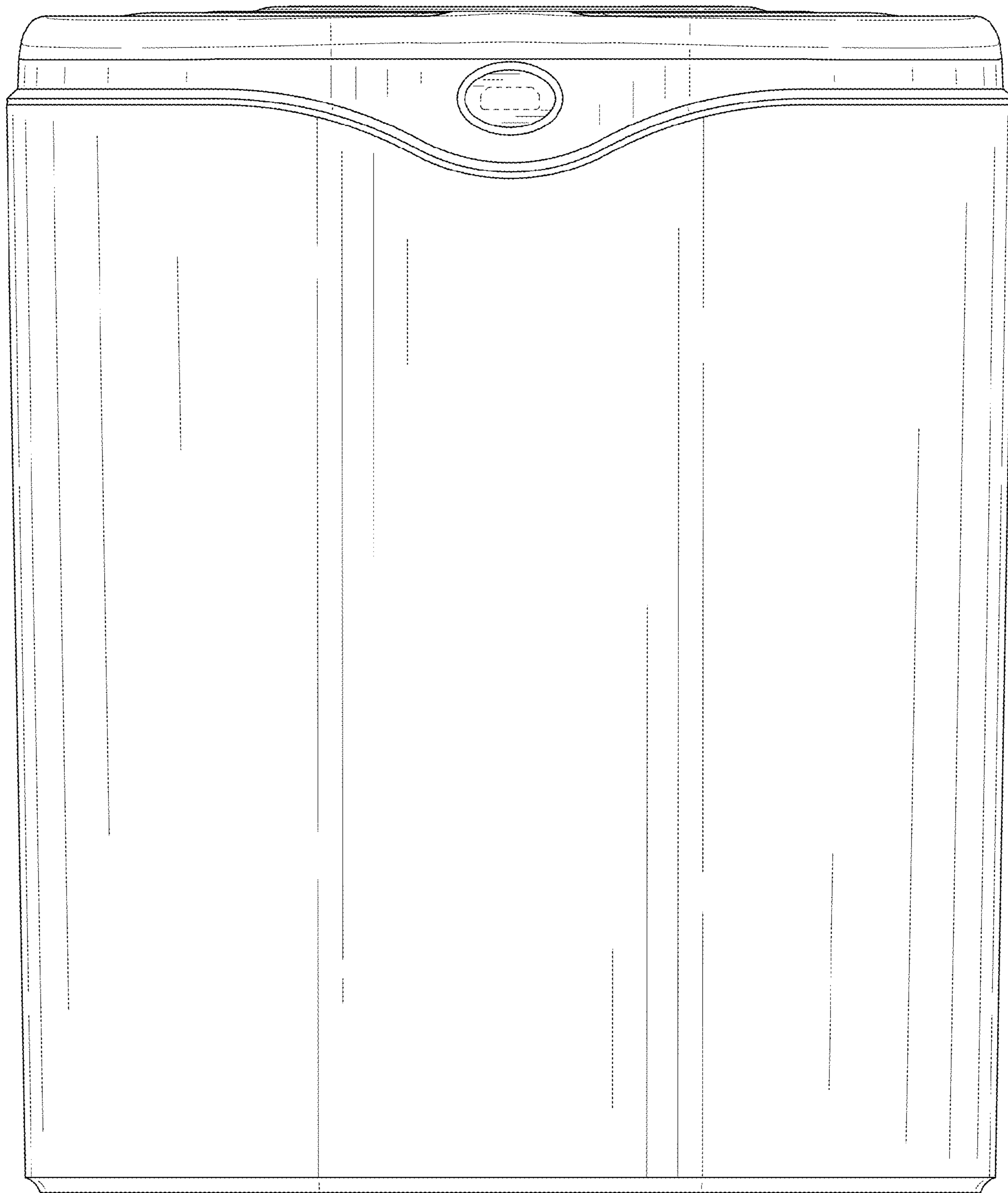


FIG. 12

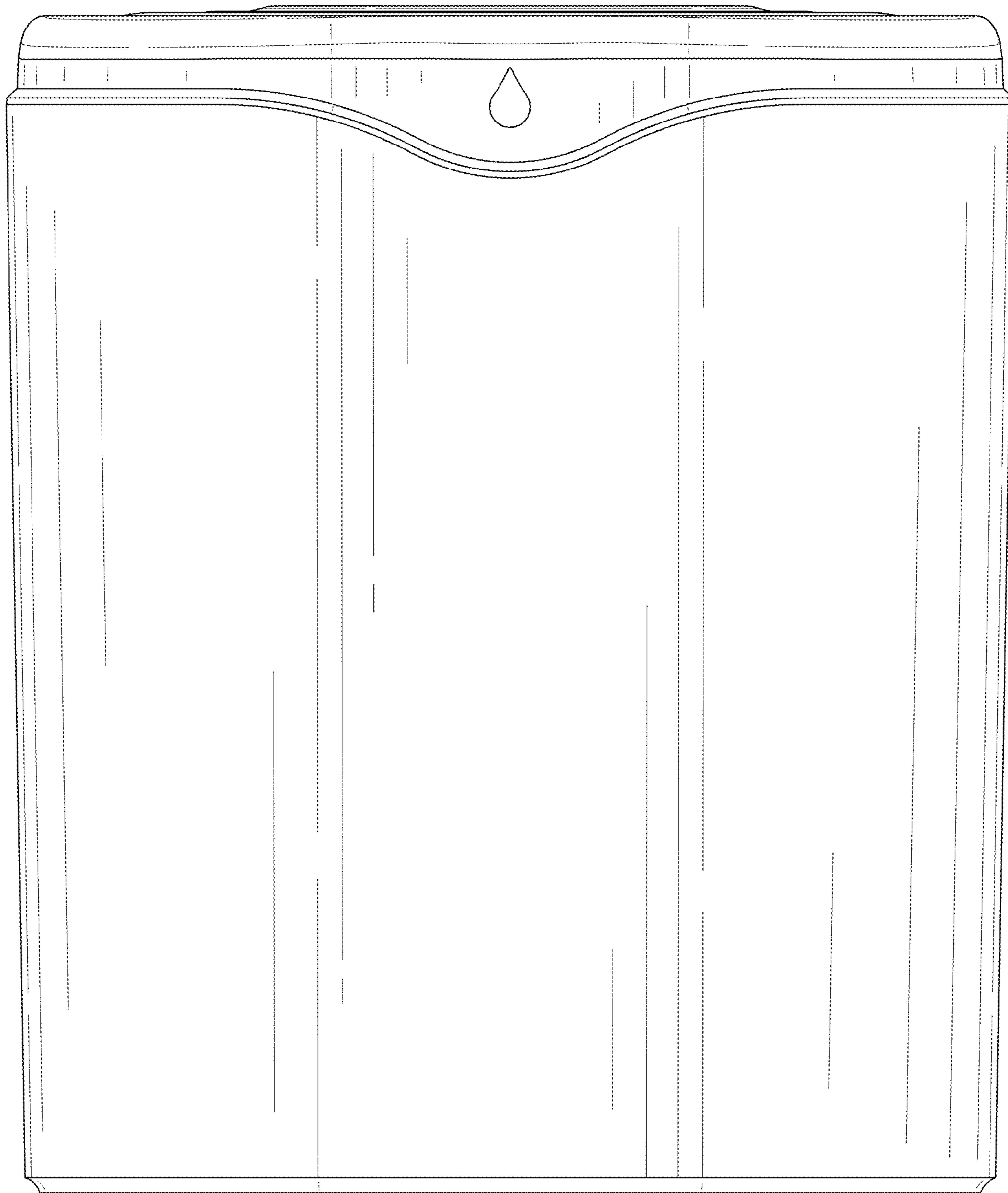


FIG. 13

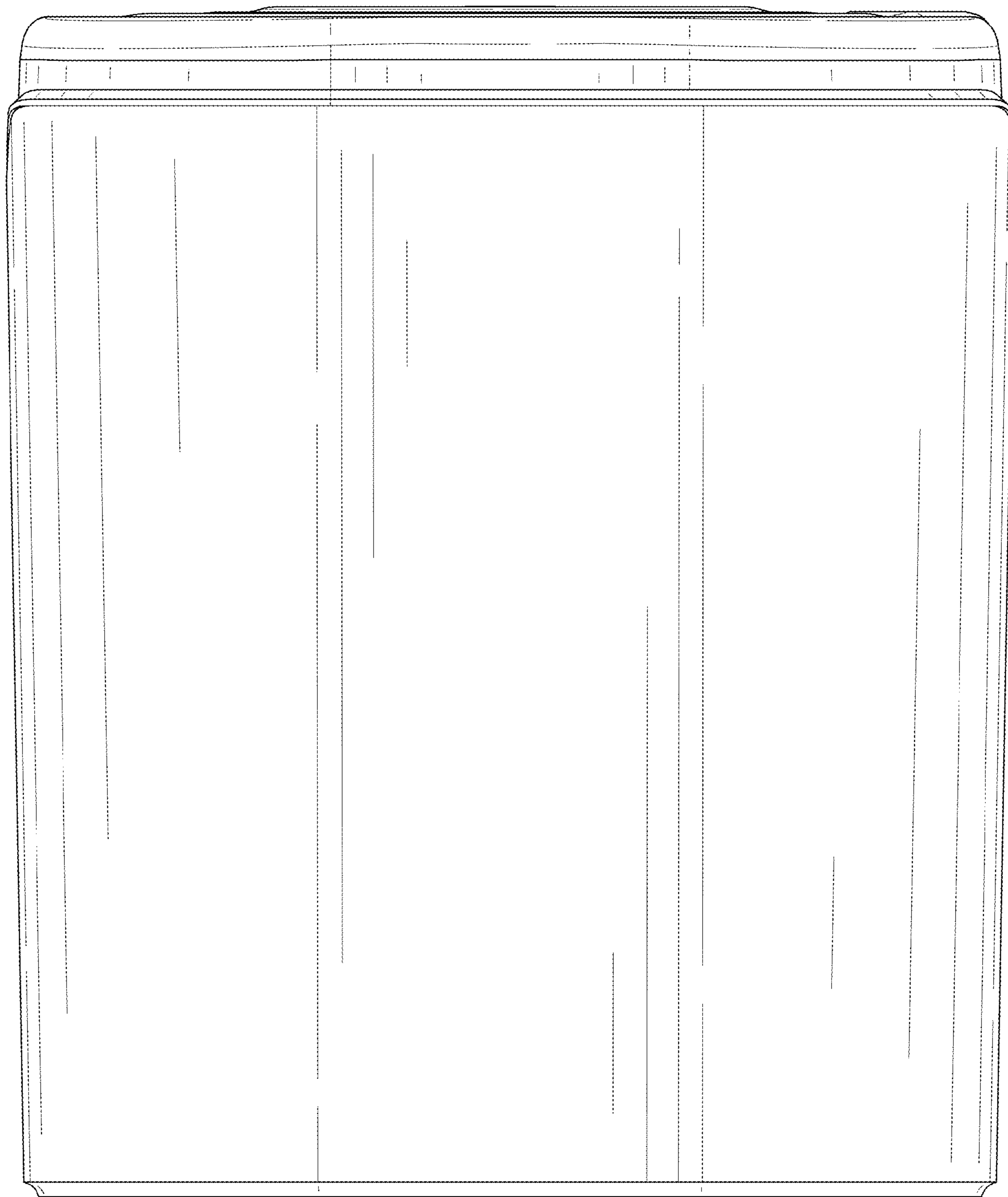


FIG. 14

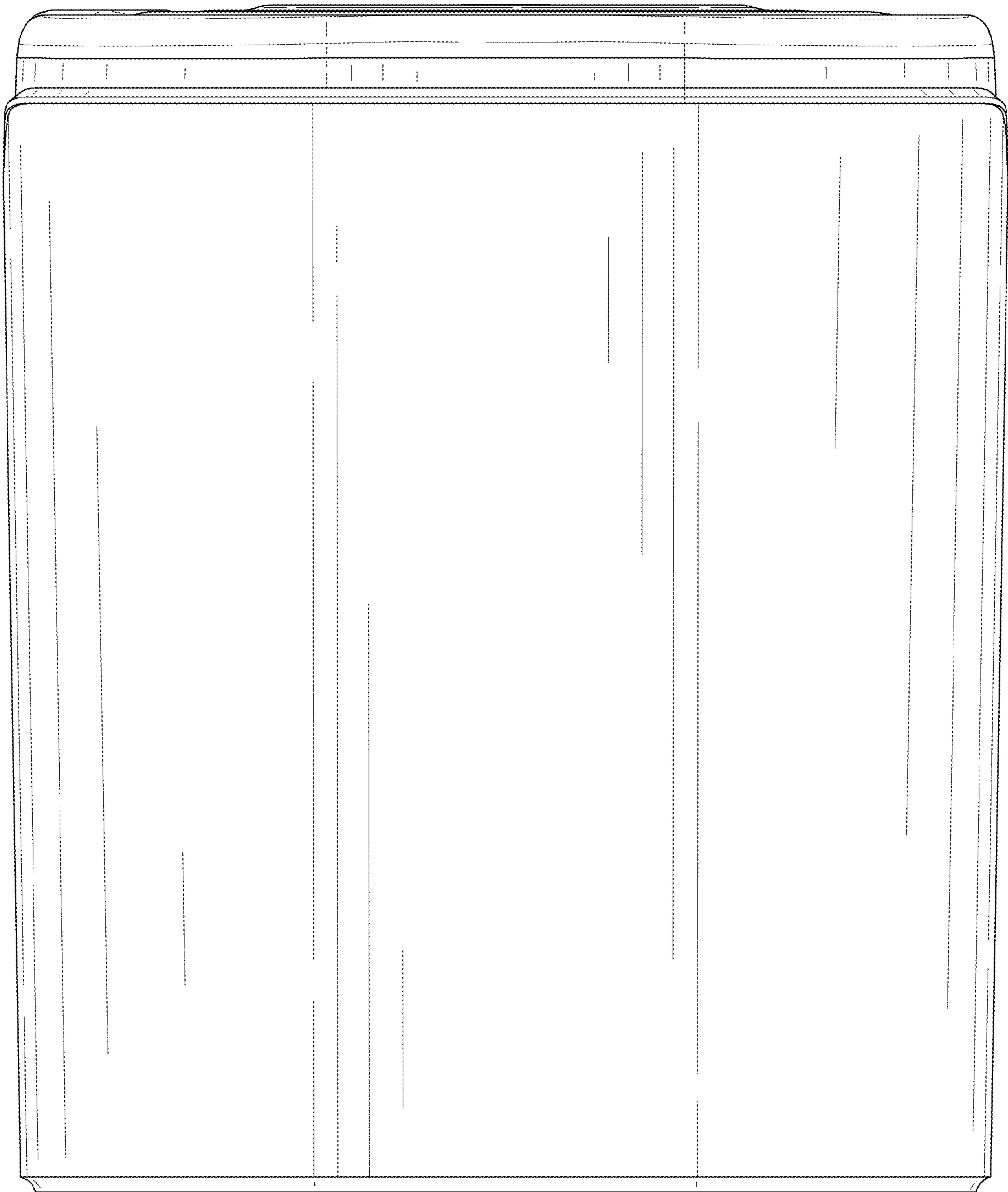


FIG. 15

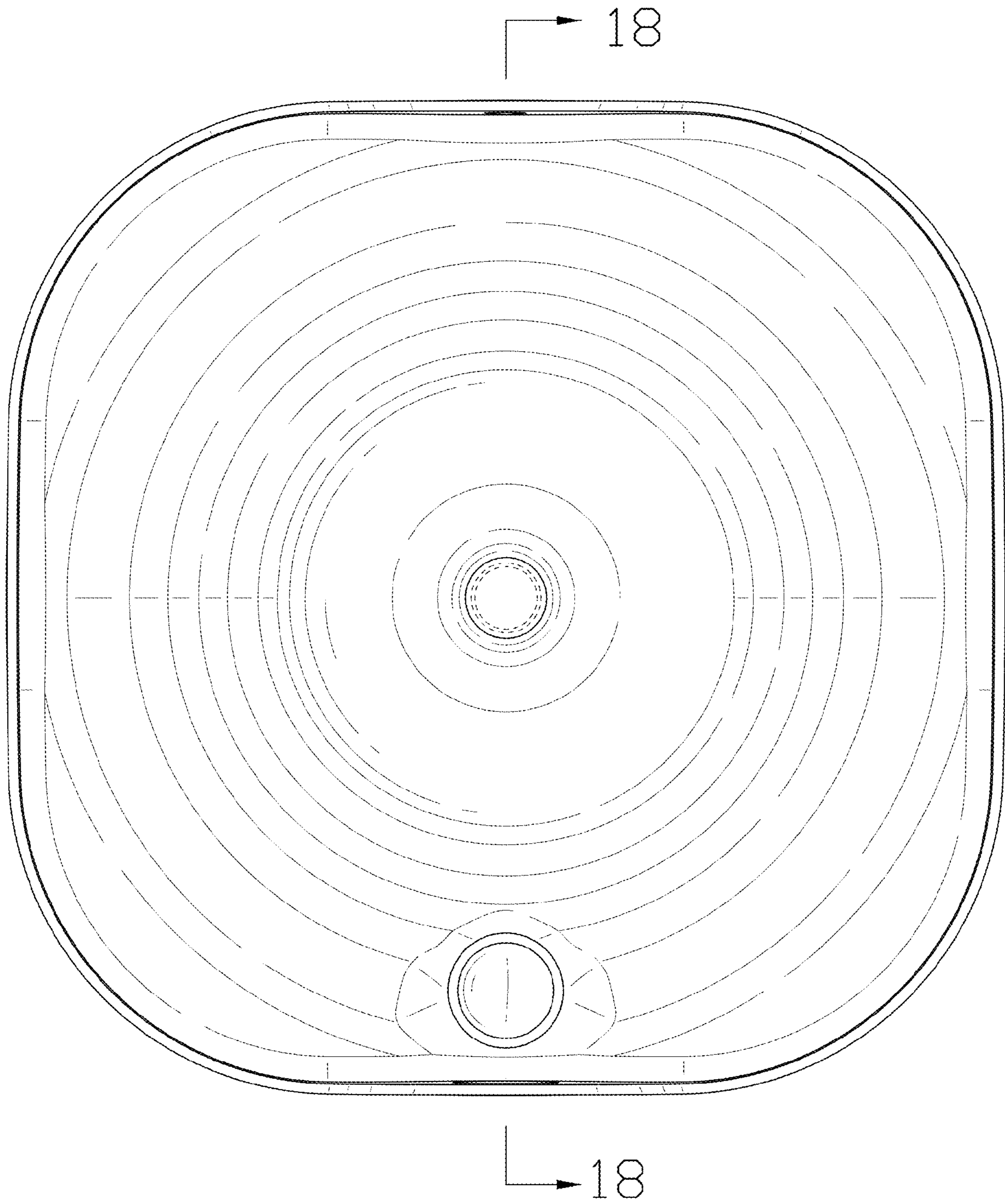


FIG. 16

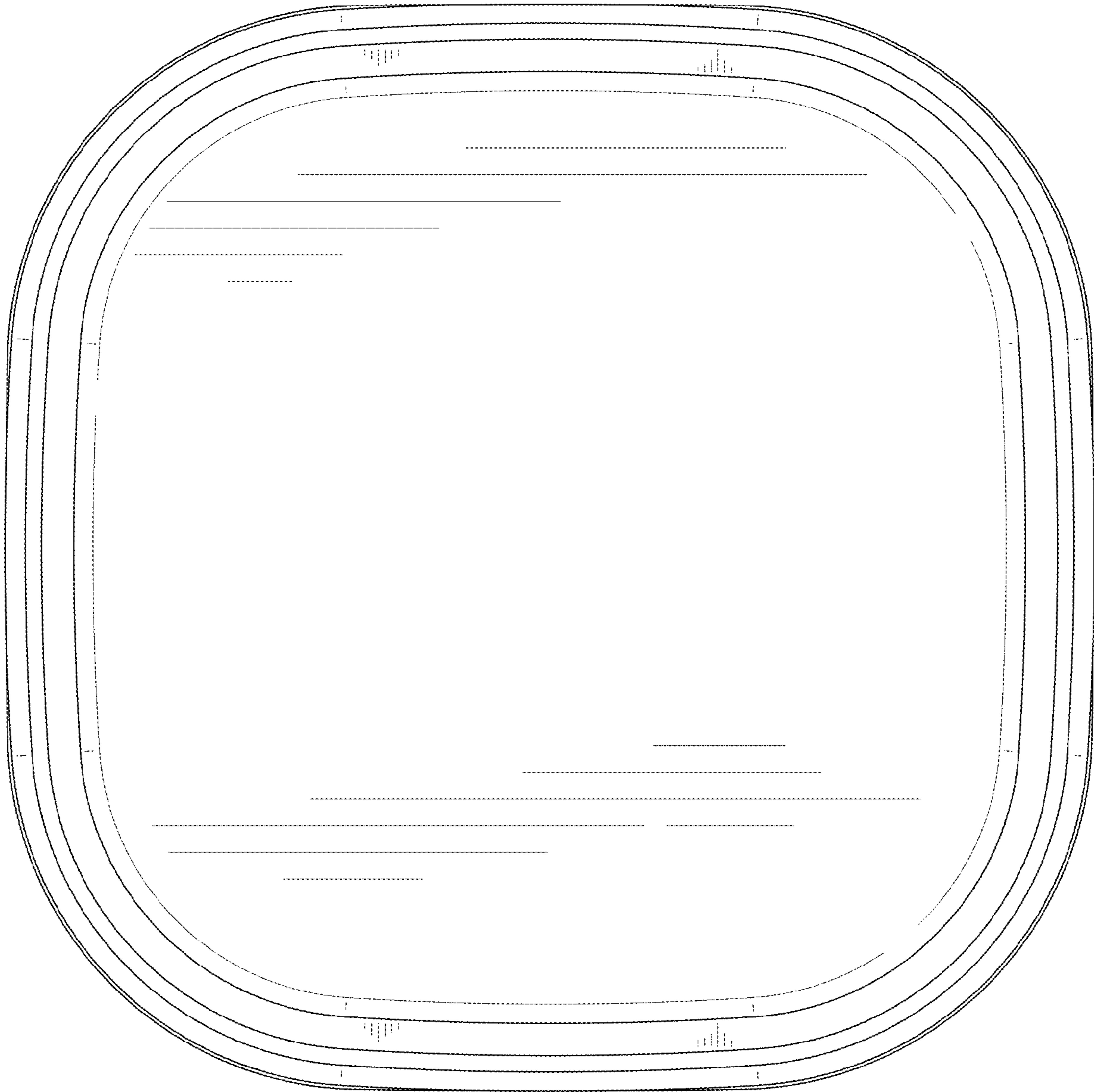


FIG. 17

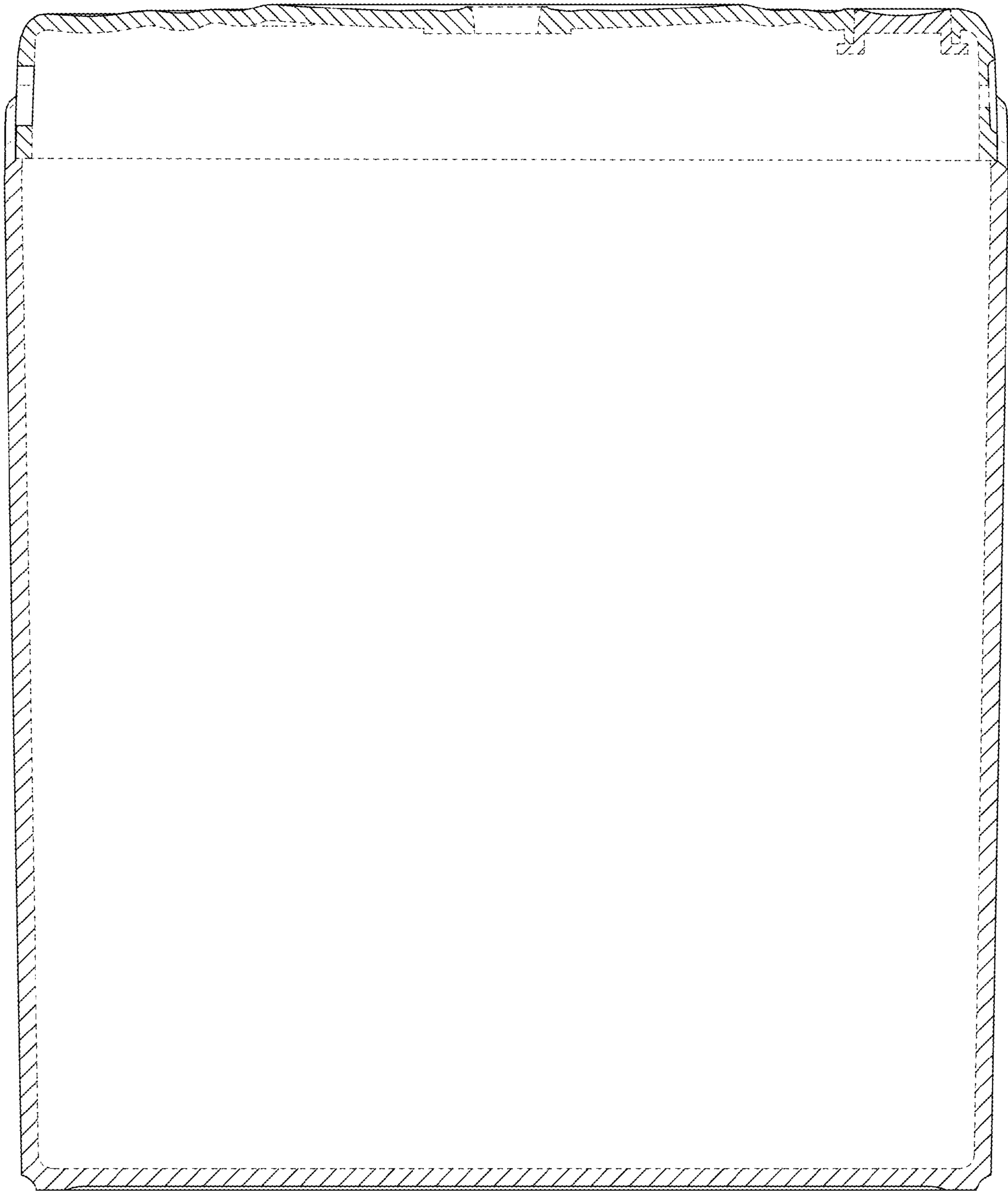


FIG. 18