

US00D967943S

(12) **United States Design Patent**
Chen

(10) **Patent No.:** **US D967,943 S**

(45) **Date of Patent:** **** Oct. 25, 2022**

(54) **HEATER**

(71) Applicant: **Ningbo Junyue Electric Appliance Co., Ltd., Cixi (CN)**

(72) Inventor: **Yueli Chen, Cixi (CN)**

(73) Assignee: **Ningbo Junyue Electric Appliance Co., Ltd., Cixi (CN)**

(**) Term: **15 Years**

(21) Appl. No.: **29/809,343**

(22) Filed: **Sep. 27, 2021**

(51) **LOC (13) Cl.** **23-04**

(52) **U.S. Cl.**
USPC **D23/335**

(58) **Field of Classification Search**
USPC D23/207, 213–214, 255, 283, 317–324,
D23/332, 335–343, 355–365, 398–403,
D23/417–41, 314, 328, 333, 354,
D23/370–371, 377–383, 387, 392,
D23/411–414

CPC F24H 3/0488; F24H 3/0417; F24H 9/0073;
F24H 9/1881; F23D 14/36

See application file for complete search history.

(56) **References Cited**

U.S. PATENT DOCUMENTS

2,487,776	A *	11/1949	Cartter	F24C 15/30 126/307 R
D199,219	S *	9/1964	Evans	F24C 15/30 D23/337
D281,526	S *	11/1985	Cenefels	D23/335
D359,546	S *	6/1995	Savage	F24C 7/002 D23/207
D379,650	S *	6/1997	Smith	D23/314

D408,510	S *	4/1999	Moreno	D23/335
6,122,437	A *	9/2000	Johnson	F24C 7/002 392/360
D551,327	S *	9/2007	Lamanna	D23/314
D651,706	S	1/2012	Sidell		
D657,854	S *	4/2012	Hwang	D23/330
D814,208	S *	4/2018	Mann	D6/515
D850,594	S	6/2019	Shapiro		
D903,070	S *	11/2020	Cheng	D23/323
D928,303	S *	8/2021	Hanson	D23/365
D954,238	S *	6/2022	Lei	D23/335

* cited by examiner

Primary Examiner — Karen S Acker

Assistant Examiner — Jonathan E Fiencke

(74) *Attorney, Agent, or Firm* — True Shepherd, LLC;
Andrew Cheng

(57) **CLAIM**

The ornamental design for a heater, as shown and described.

DESCRIPTION

FIG. 1 is a front, right and top perspective view of a heater, showing my design.

FIG. 2 is a rear, left and bottom perspective view thereof.

FIG. 3 is a front elevation view thereof.

FIG. 4 is a rear elevation view thereof.

FIG. 5 is a left side elevation view thereof.

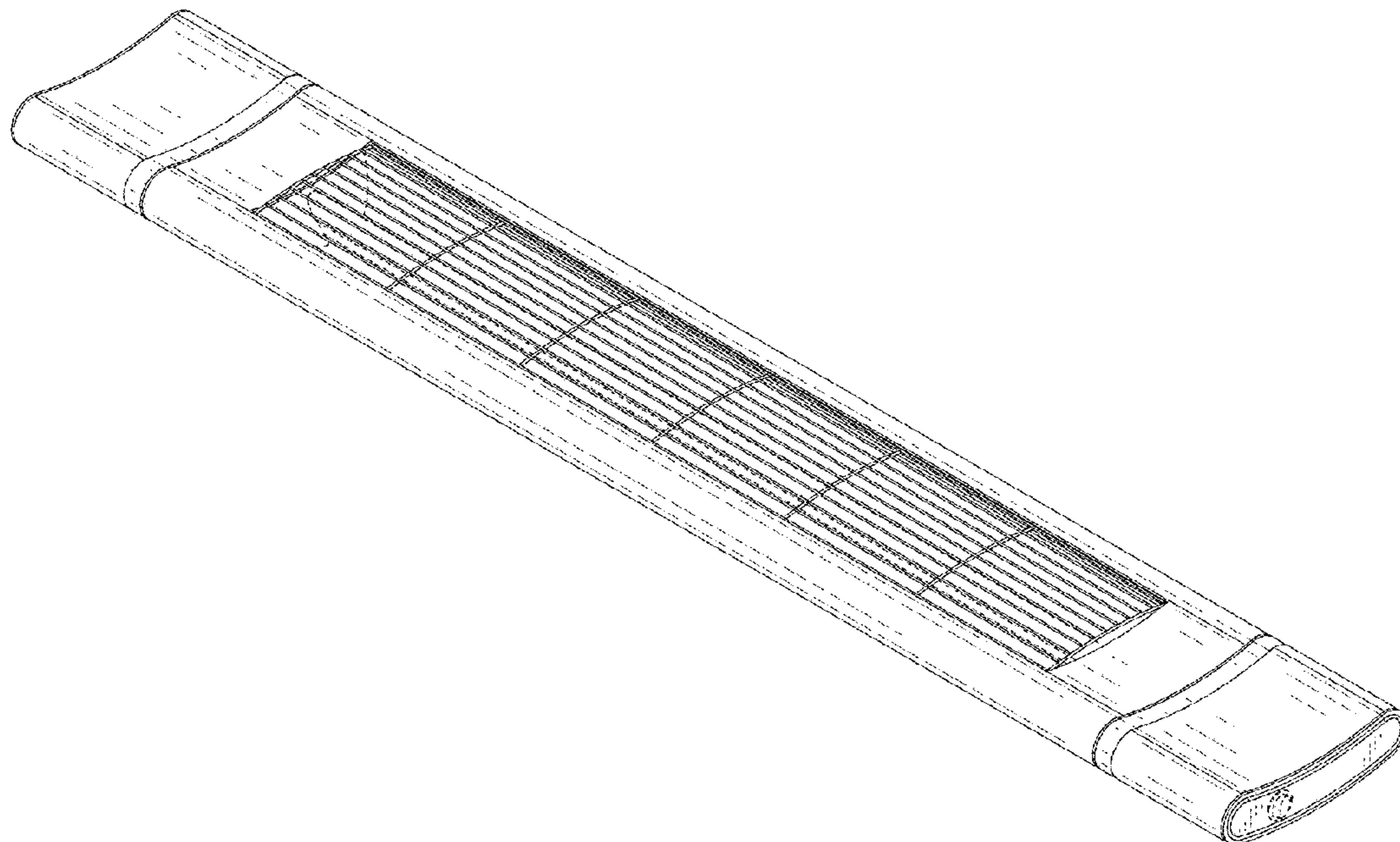
FIG. 6 is a right side elevation view thereof.

FIG. 7 is a top plan view thereof; and,

FIG. 8 is a bottom plan view thereof.

The broken lines shown in the drawings are included for the purpose of illustrating portions of the heater that form no part of the claimed design.

1 Claim, 8 Drawing Sheets



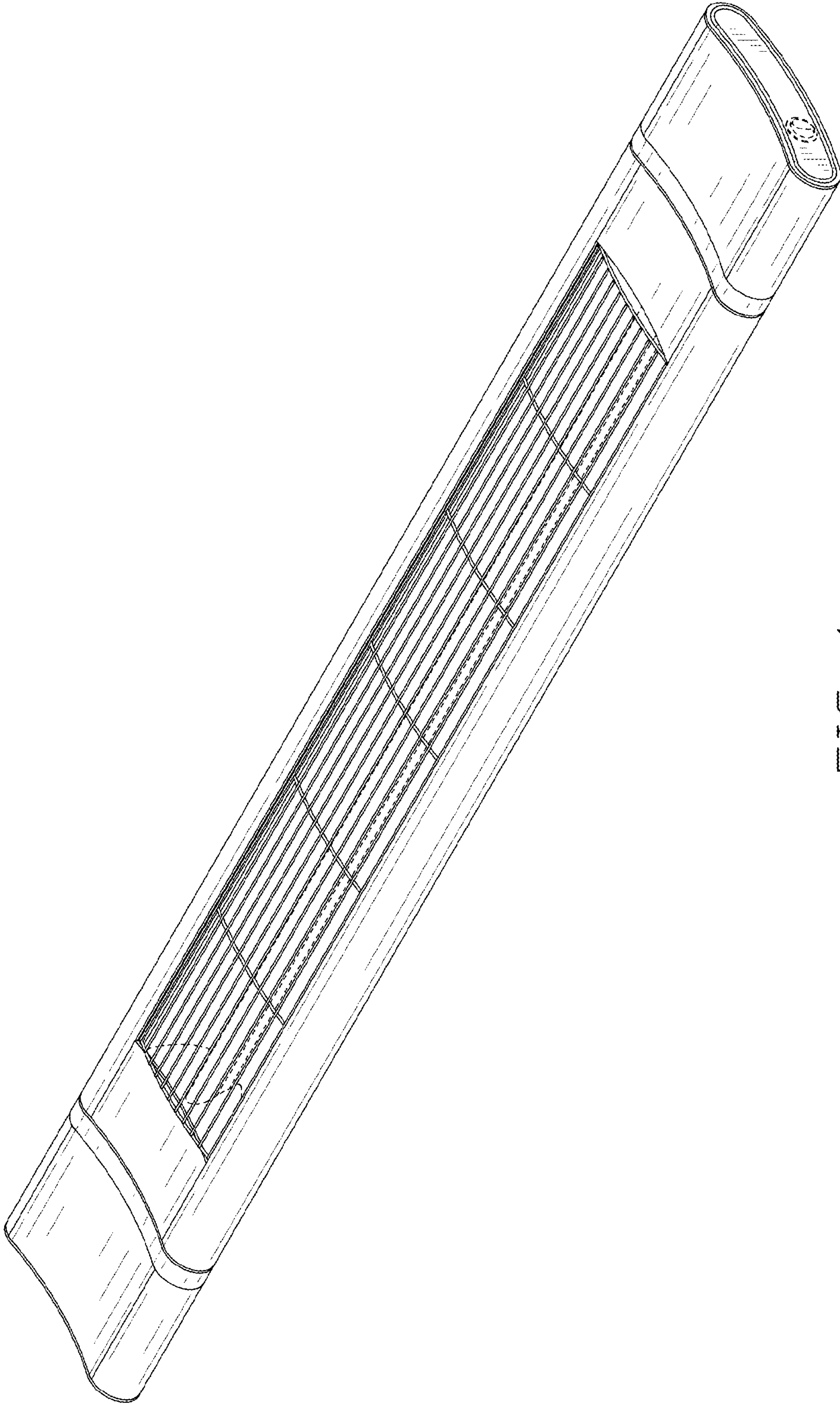


FIG. 1

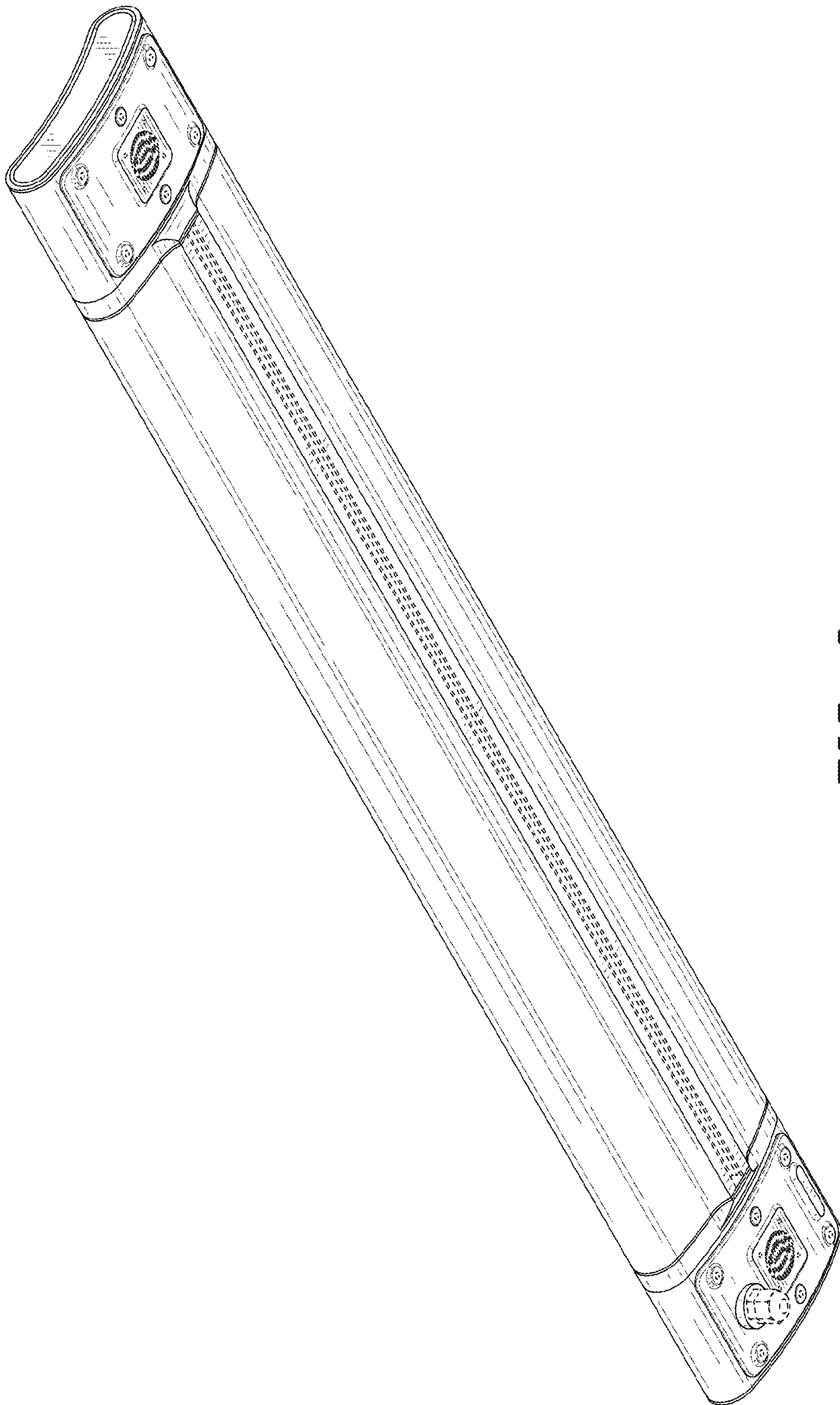


FIG. 2

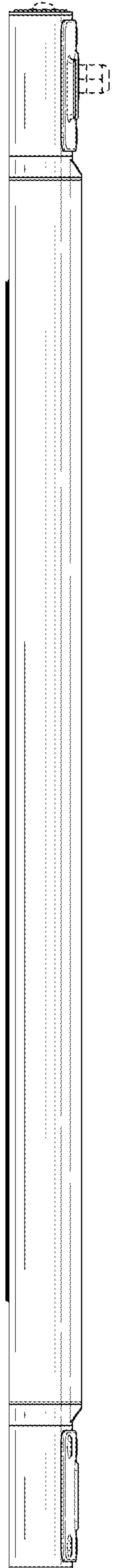


FIG. 3

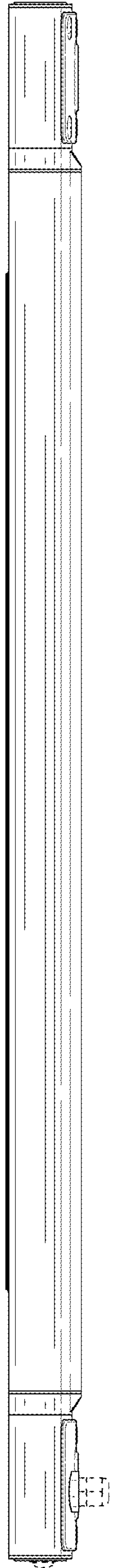


FIG. 4

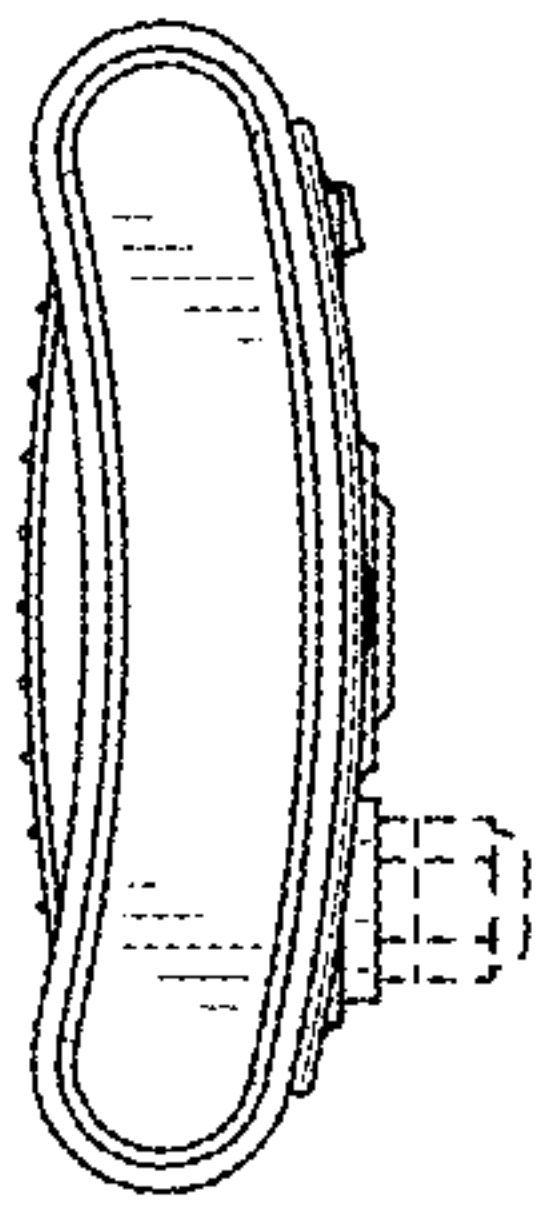


FIG. 5

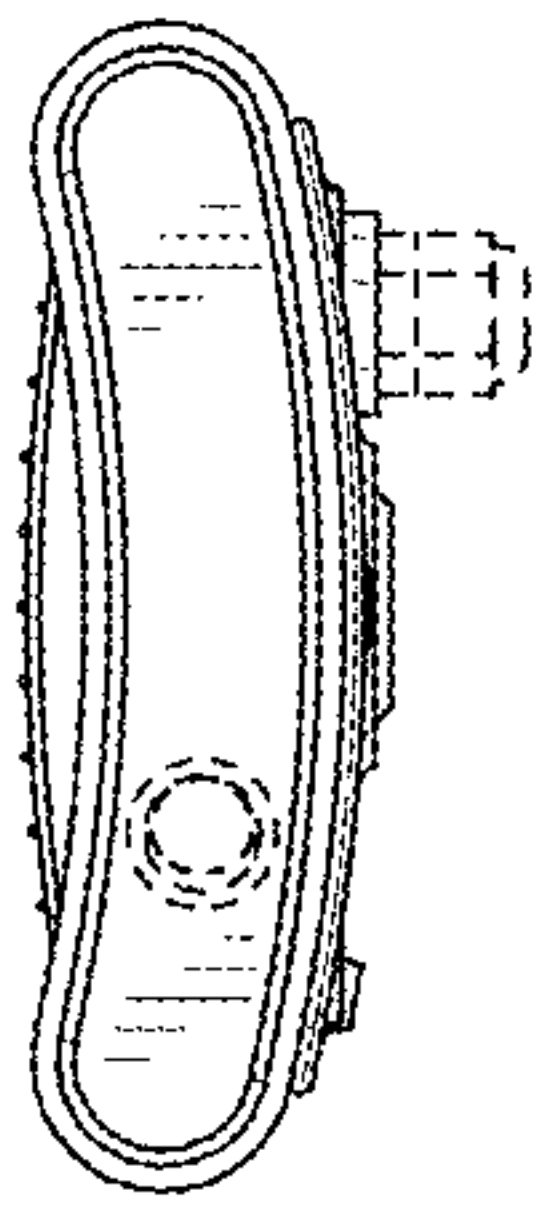


FIG. 6

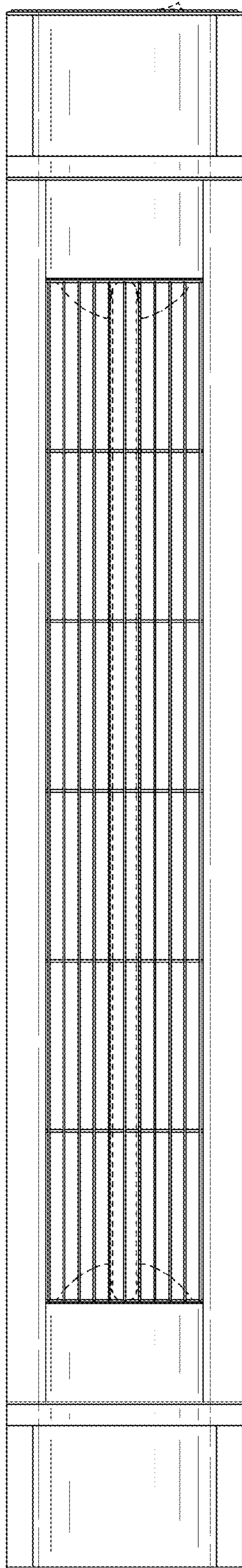


FIG. 7

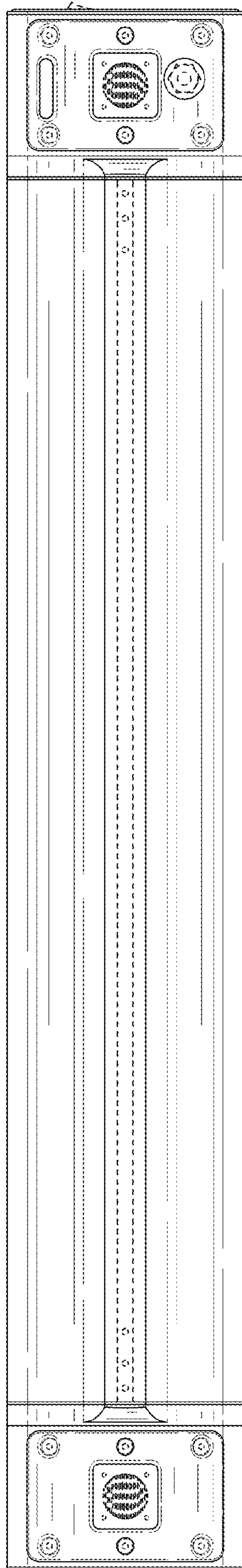


FIG. 8