

US00D967941S

(12) **United States Design Patent** (10) **Patent No.:** **US D967,941 S**
Osterhouse et al. (45) **Date of Patent:** **** Oct. 25, 2022**

(54) **INTENSIFIER CYLINDER**
(71) Applicant: **Hypertherm, Inc.**, Hanover, NH (US)
(72) Inventors: **David Osterhouse**, New Brighton, MN (US); **Arion Vandergon**, St. Louis Park, MN (US)

D480,453 S * 10/2003 Filer D23/262
D480,454 S * 10/2003 Filer D23/262
D639,386 S * 6/2011 Cummings D23/213
D707,661 S * 6/2014 Okita D14/228
D890,572 S * 7/2020 Saiki D23/213
D933,781 S * 10/2021 Masalin D23/223
2013/0327439 A1 * 12/2013 Pitney F17C 5/06
141/346

(73) Assignee: **Hypertherm, Inc.**, Hanover, NH (US)

* cited by examiner

(**) Term: **15 Years**

Primary Examiner — Angela J Lee

Assistant Examiner — David Obrien

(21) Appl. No.: **29/732,921**

(74) *Attorney, Agent, or Firm* — Perkins Coie LLP

(22) Filed: **Apr. 28, 2020**

(51) **LOC (13) Cl.** **23-01**

(52) **U.S. Cl.**
USPC **D23/266**

(57) **CLAIM**

(58) **Field of Classification Search**
USPC D23/213, 223, 233, 249, 250, 262,
D23/266–269, 323, 333; D7/300.1, 313,
D7/509, 510, 523; D14/188, 194, 195,
D14/204, 221, 228; D26/26, 37, 40, 46,
D26/93, 104, 105; D34/39
CPC F15B 11/064; F15B 11/068; F15B 11/072;
F15B 11/0725; F17C 5/06; F16L 1/00;
F16L 9/00; F16L 13/00; F16L 2101/00;
Y10S 84/01; Y10S 92/01; Y10S 102/70;
A47G 7/06

The ornamental design for an intensifier cylinder, as shown and described.

See application file for complete search history.

DESCRIPTION

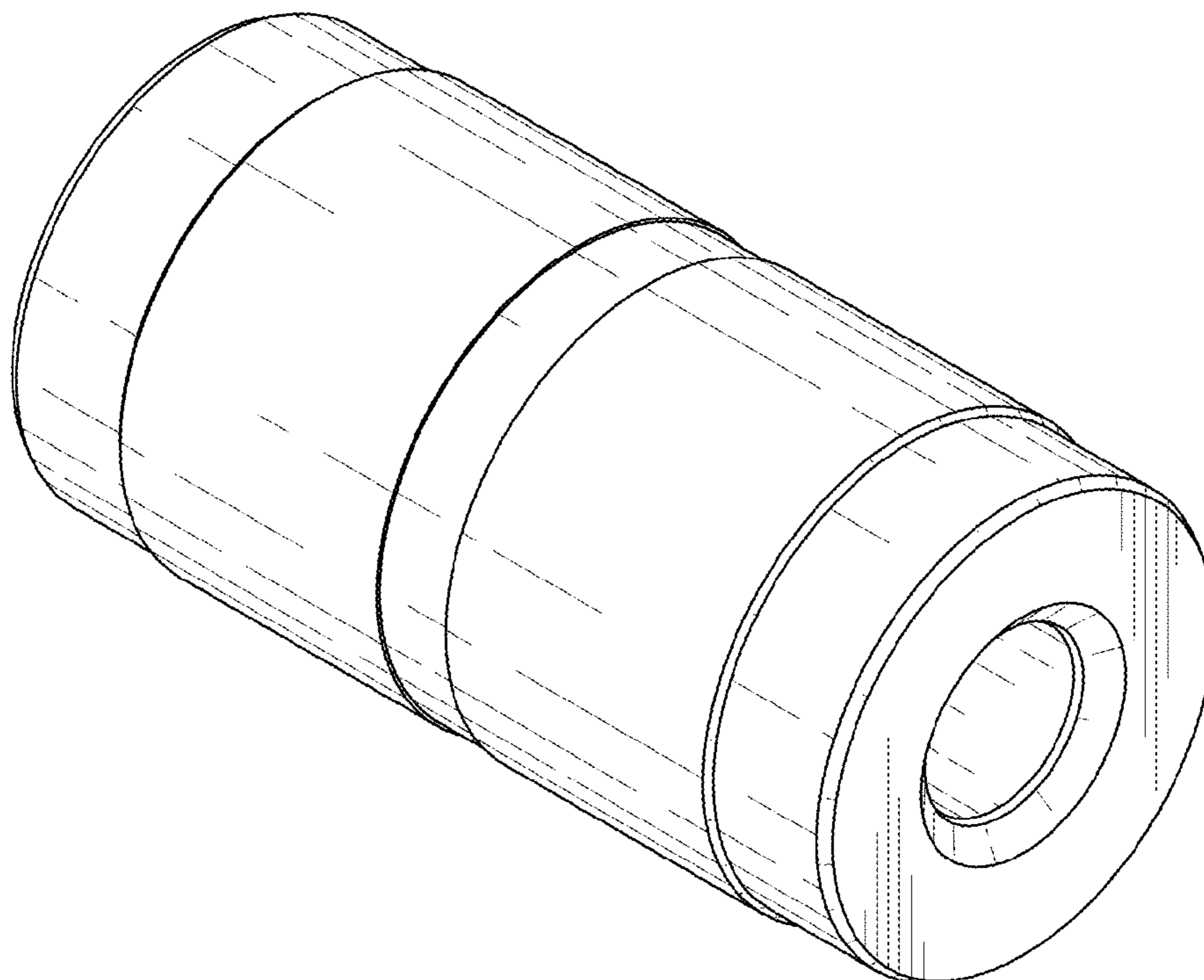
FIG. 1 is a front left top perspective view of an intensifier cylinder showing our new design; FIG. 2 is a front elevation view thereof; and, FIG. 3 is a left side elevation view thereof. The rear elevation view is the same as the front elevation view shown in FIG. 2, and the top plan, bottom plan, and right side elevation views are each the same as the left side elevation view shown in FIG. 3.

(56) **References Cited**

U.S. PATENT DOCUMENTS

D282,749 S * 2/1986 Owen, III D26/46
D384,484 S * 9/1997 Ibarra D34/39

1 Claim, 1 Drawing Sheet



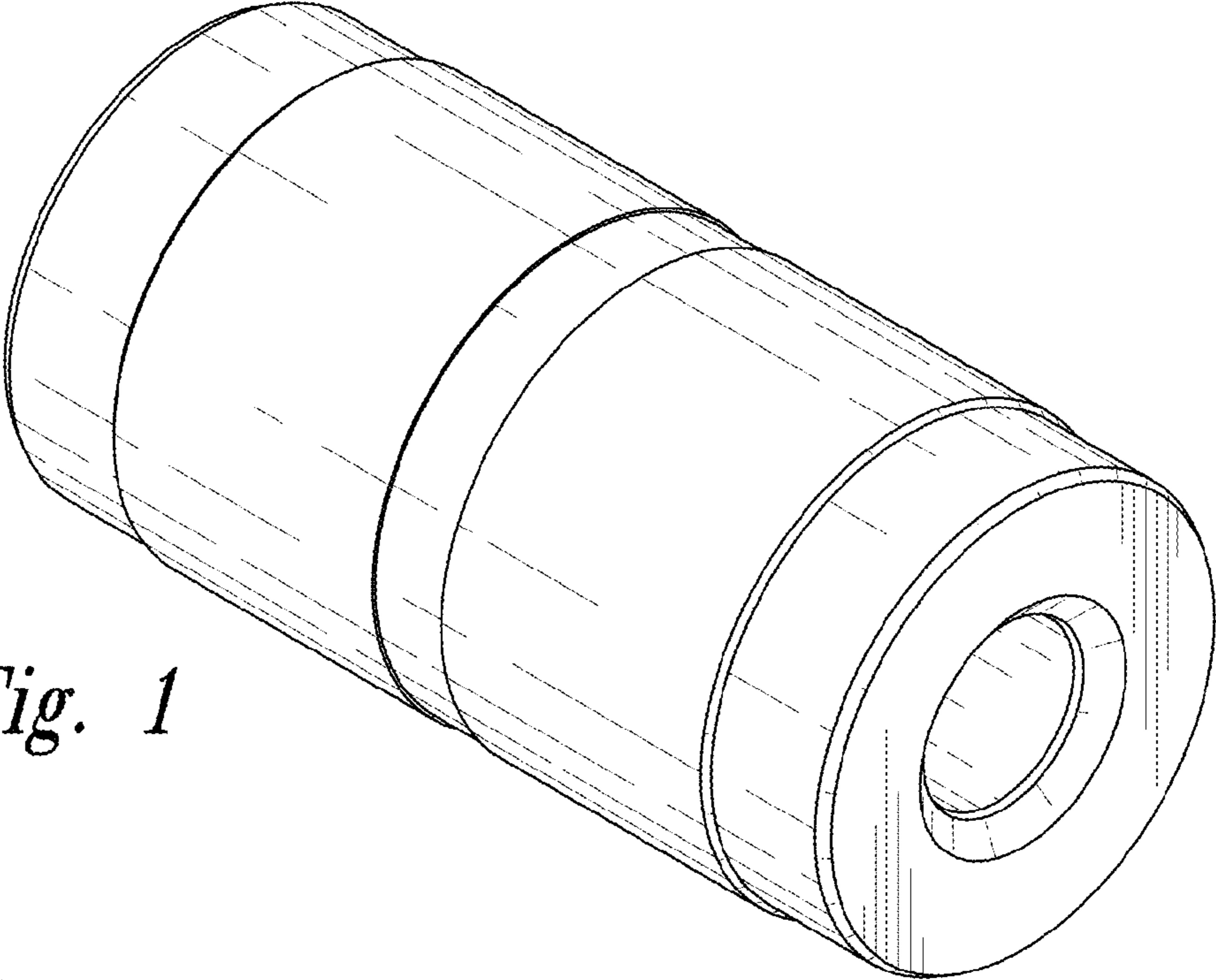


Fig. 1

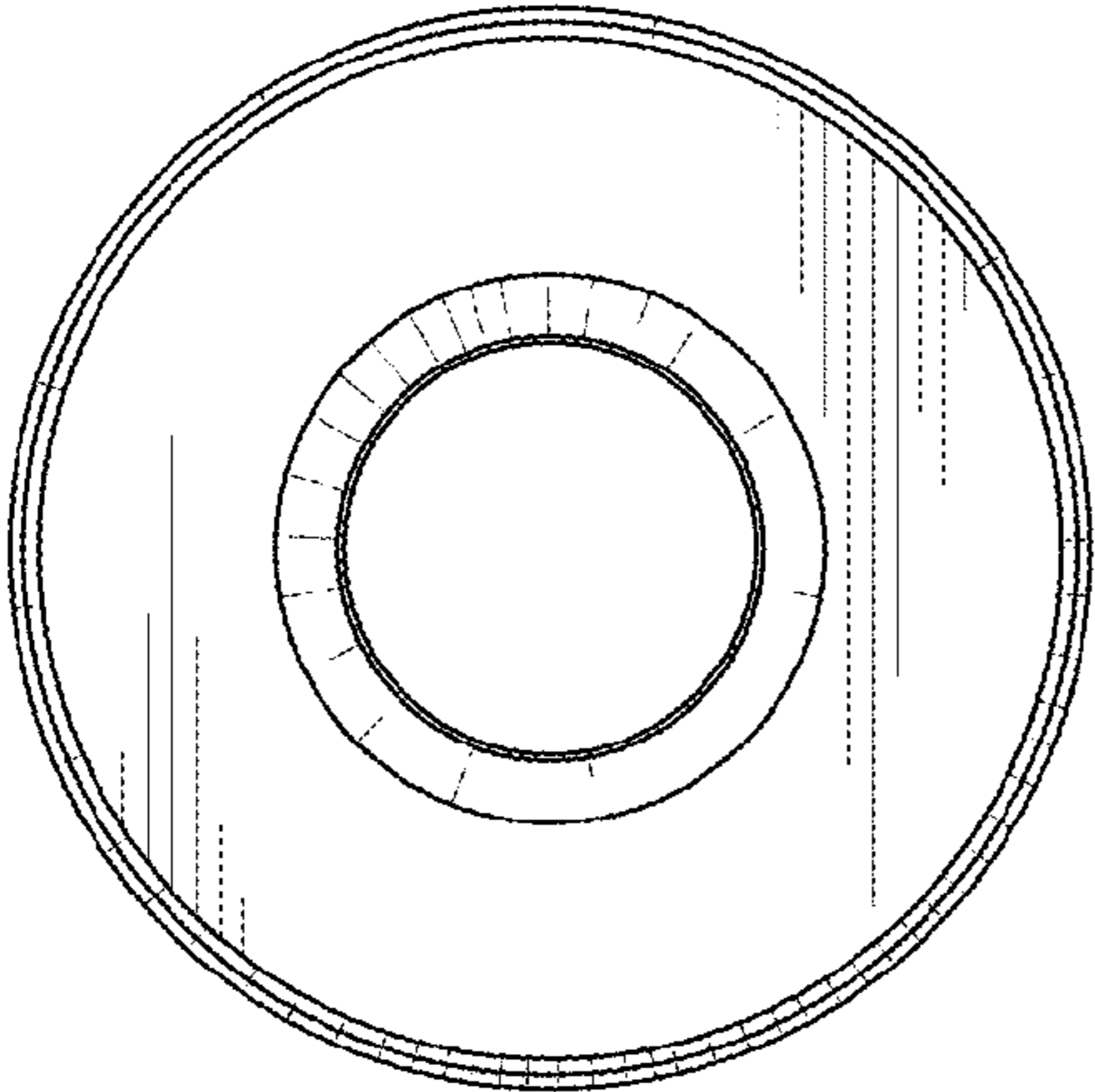


Fig. 2

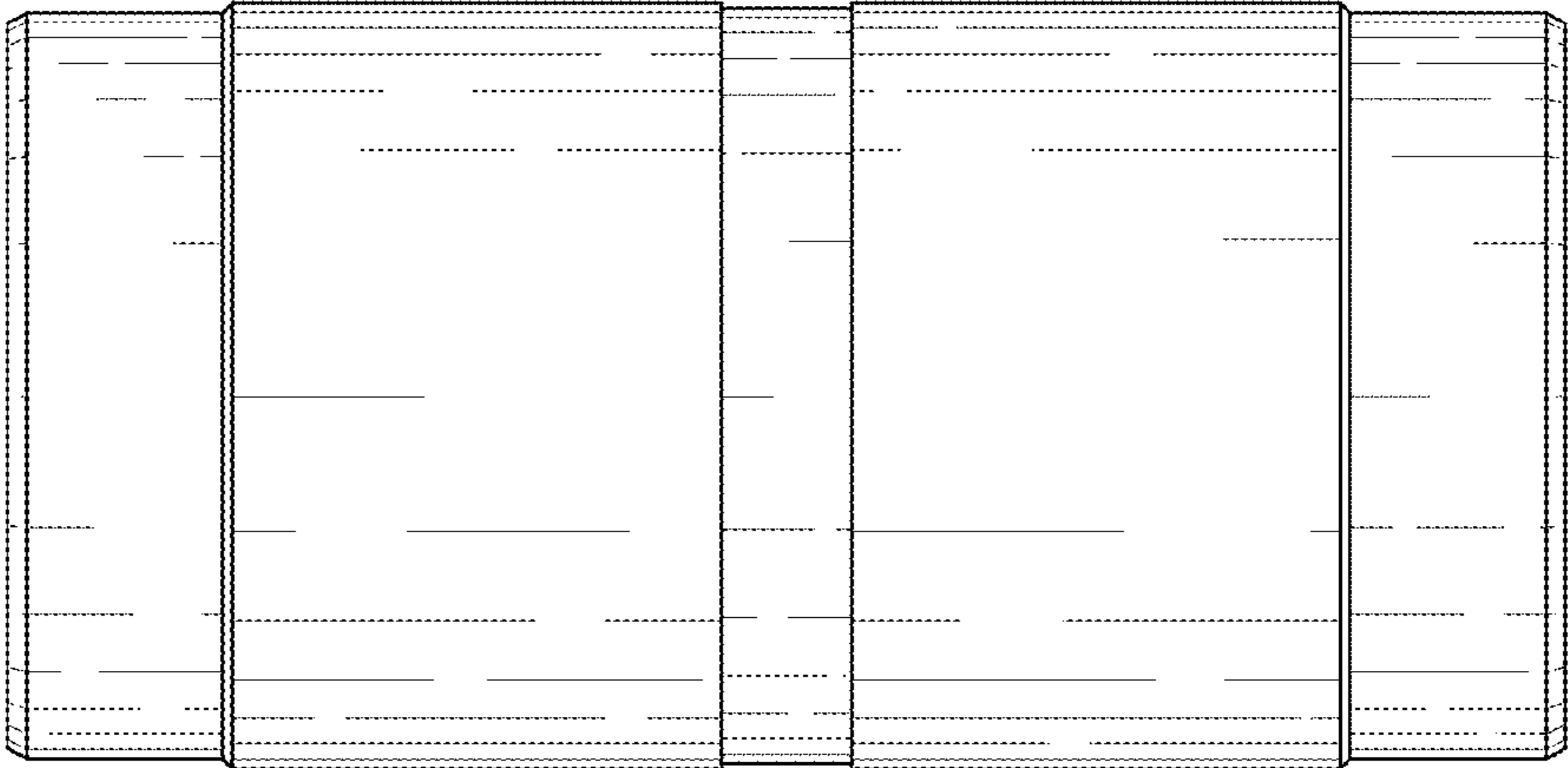


Fig. 3