



US00D967940S

(12) **United States Design Patent** (10) **Patent No.:** **US D967,940 S**
Han (45) **Date of Patent:** **** Oct. 25, 2022**

(54) **GREASE GUN COUPLER**

(71) Applicant: **Huabing Han**, Hangzhou (CN)

(72) Inventor: **Huabing Han**, Hangzhou (CN)

(**) Term: **15 Years**

(21) Appl. No.: **29/826,908**

(22) Filed: **Feb. 16, 2022**

(30) **Foreign Application Priority Data**

Jan. 28, 2022 (CN) 202230060007.8

(51) **LOC (13) Cl.** **23-01**

(52) **U.S. Cl.**
USPC **D23/262**

(58) **Field of Classification Search**
USPC D23/213, 226, 245, 262, 266; D8/14.1
CPC F16N 23/00; F16L 11/00
See application file for complete search history.

(56) **References Cited**

U.S. PATENT DOCUMENTS

| | | | |
|--------------|---------|-----------|---------|
| D510,242 S | 10/2005 | Chen | |
| D590,673 S | 4/2009 | Guo | |
| D702,810 S * | 4/2014 | Stednitz | D23/213 |
| D854,665 S * | 7/2019 | Simon | D23/262 |
| D882,044 S * | 4/2020 | Uccellani | D23/262 |
| D917,677 S * | 4/2021 | Han | D23/262 |
| D917,678 S * | 4/2021 | Han | D23/262 |
| D943,714 S * | 2/2022 | Han | D23/262 |
| D944,947 S * | 3/2022 | Han | D23/262 |
| D950,688 S * | 5/2022 | Hung | D23/262 |

| | | | |
|-------------------|---------|-----------|------------------------|
| D957,591 S * | 7/2022 | Yao | D23/262 |
| 11,385,040 B1 * | 7/2022 | Gregory | G01B 5/08 |
| 2012/0267890 A1 * | 10/2012 | Gurney | F16L 37/121 285/308 |
| 2018/0142837 A1 * | 5/2018 | Boren | F16N 3/12 |
| 2018/0299065 A1 * | 10/2018 | Hung | F16N 3/12 |
| 2019/0120413 A1 * | 4/2019 | Verma | F16L 37/121 |
| 2020/0041055 A1 * | 2/2020 | Kuo | F16L 37/121 |
| 2021/0116069 A1 * | 4/2021 | Bisaillon | F16N 21/04 |

* cited by examiner

Primary Examiner — Philip S Hyder

(74) *Attorney, Agent, or Firm* — ScienBiziP, P.C.

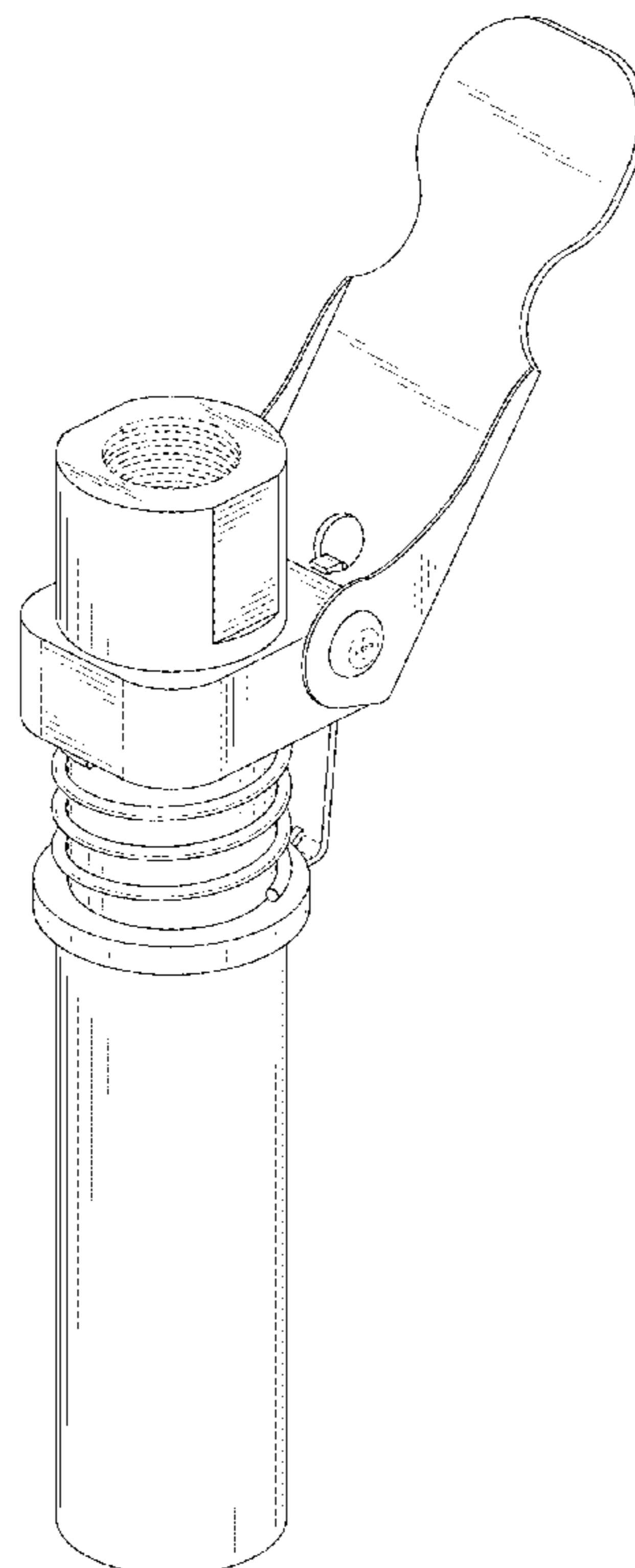
(57) **CLAIM**

The ornamental design for a grease gun coupler, as shown and described.

DESCRIPTION

FIG. 1 is a front, right and top perspective view of a grease gun coupler, showing my design.
FIG. 2 is a rear, left and bottom perspective view thereof.
FIG. 3 is a front elevation view thereof.
FIG. 4 is a rear elevation view thereof.
FIG. 5 is a left side elevation view thereof.
FIG. 6 is a right side elevation view thereof.
FIG. 7 is a top plan view thereof; and,
FIG. 8 is a bottom plan view thereof.
The broken lines in the drawings depict portions of the grease gun coupler that form no part of the claimed design.

1 Claim, 8 Drawing Sheets



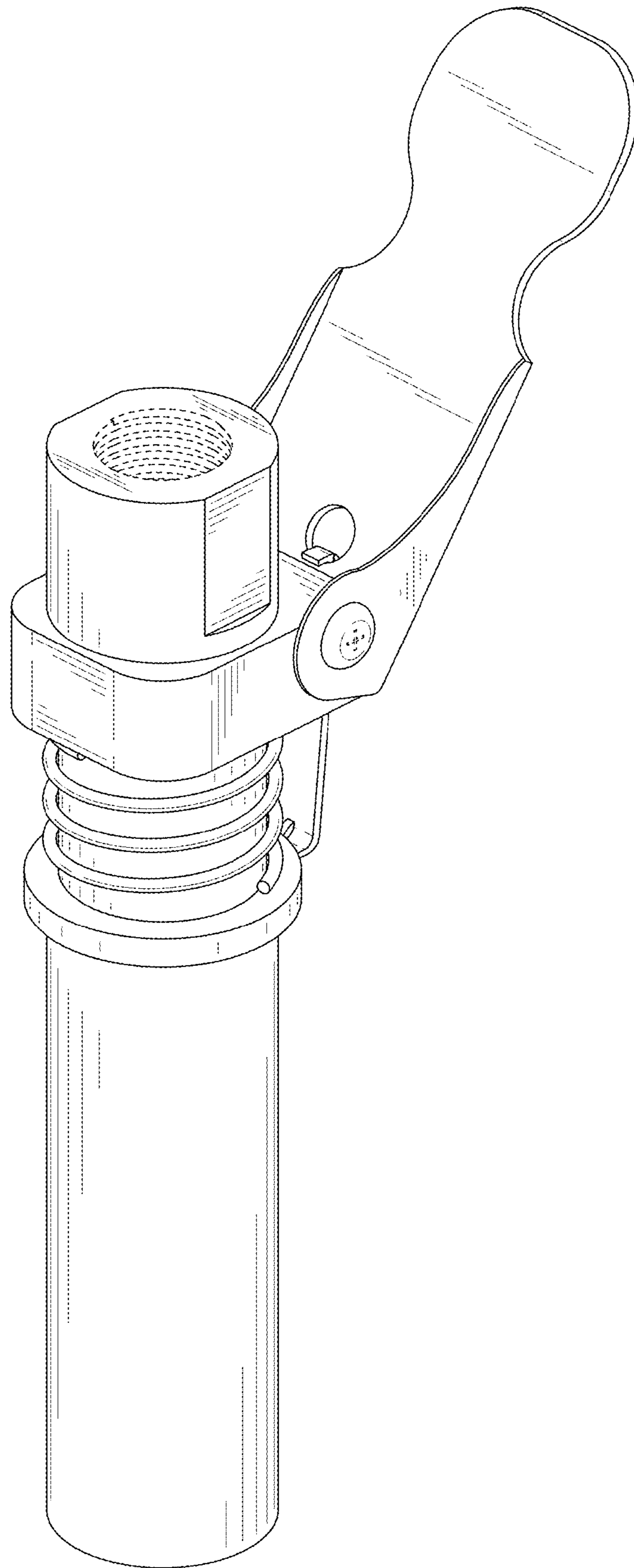


FIG. 1

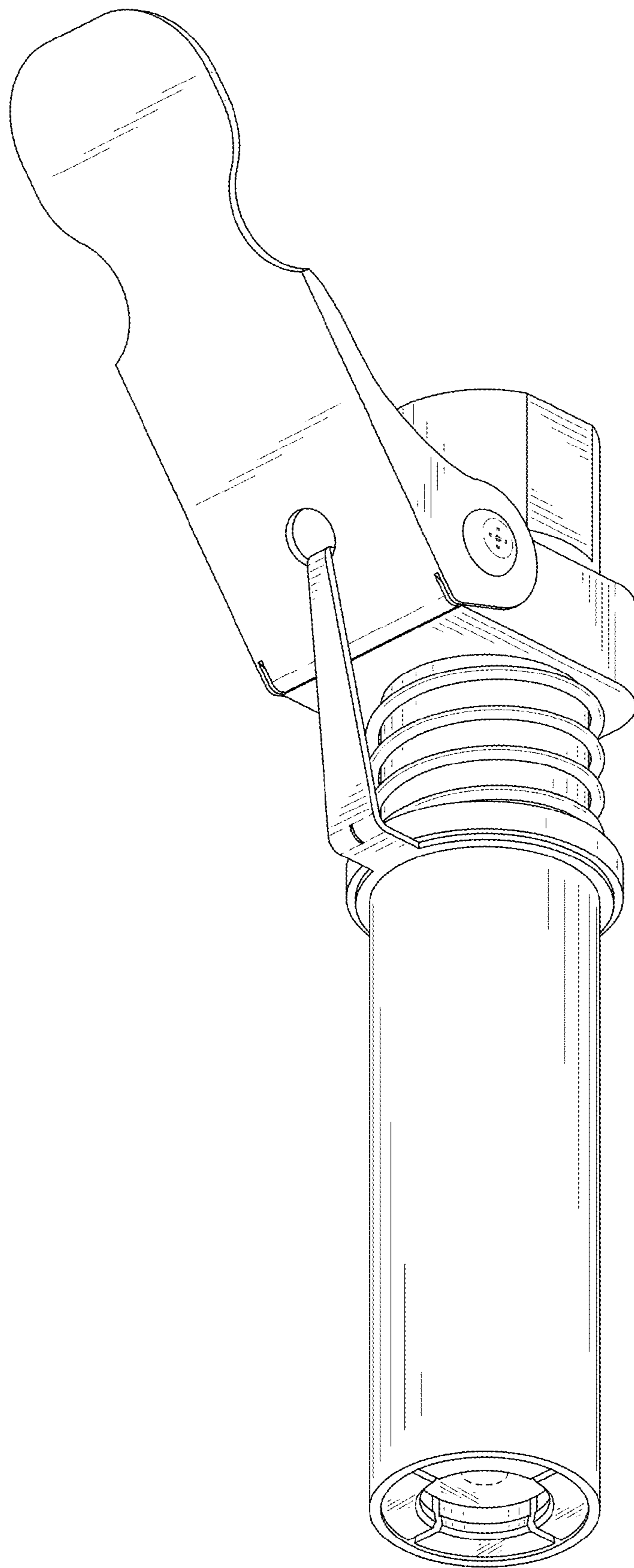


FIG. 2

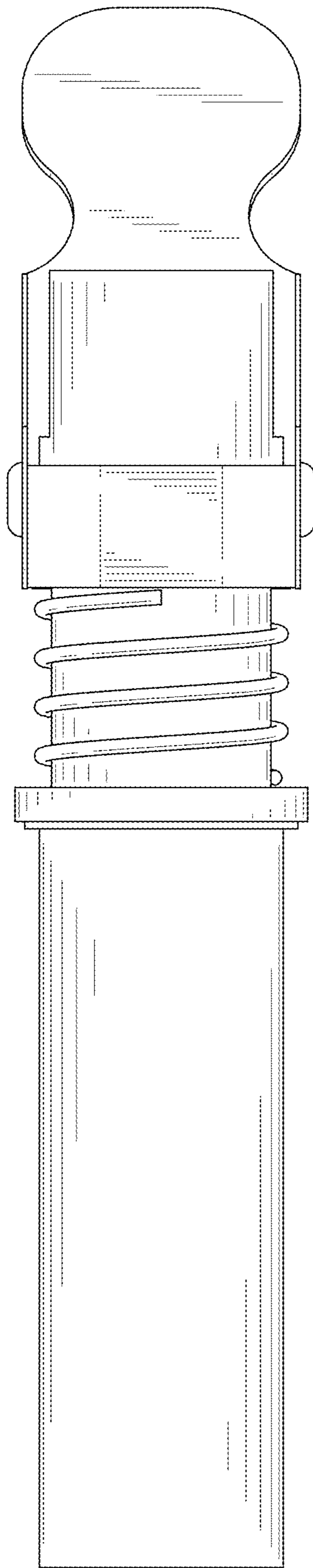


FIG. 3

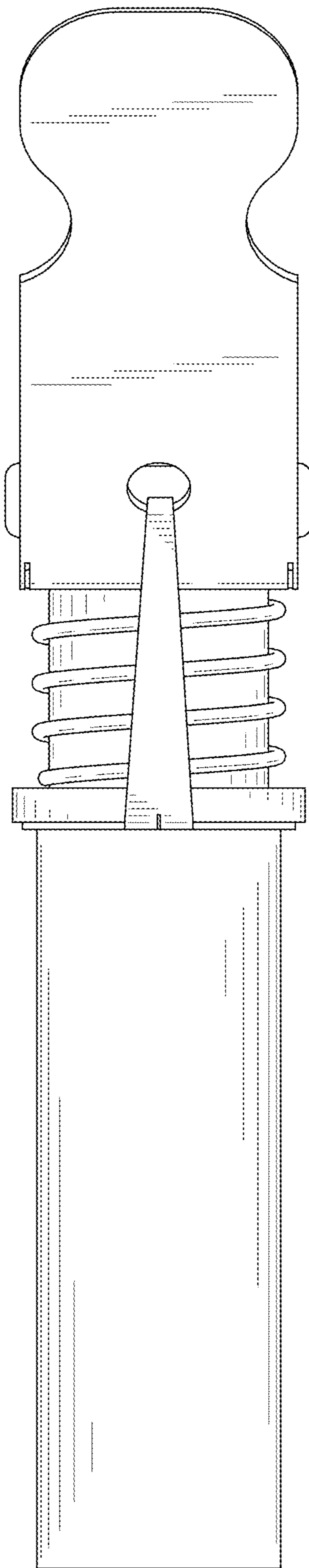


FIG. 4

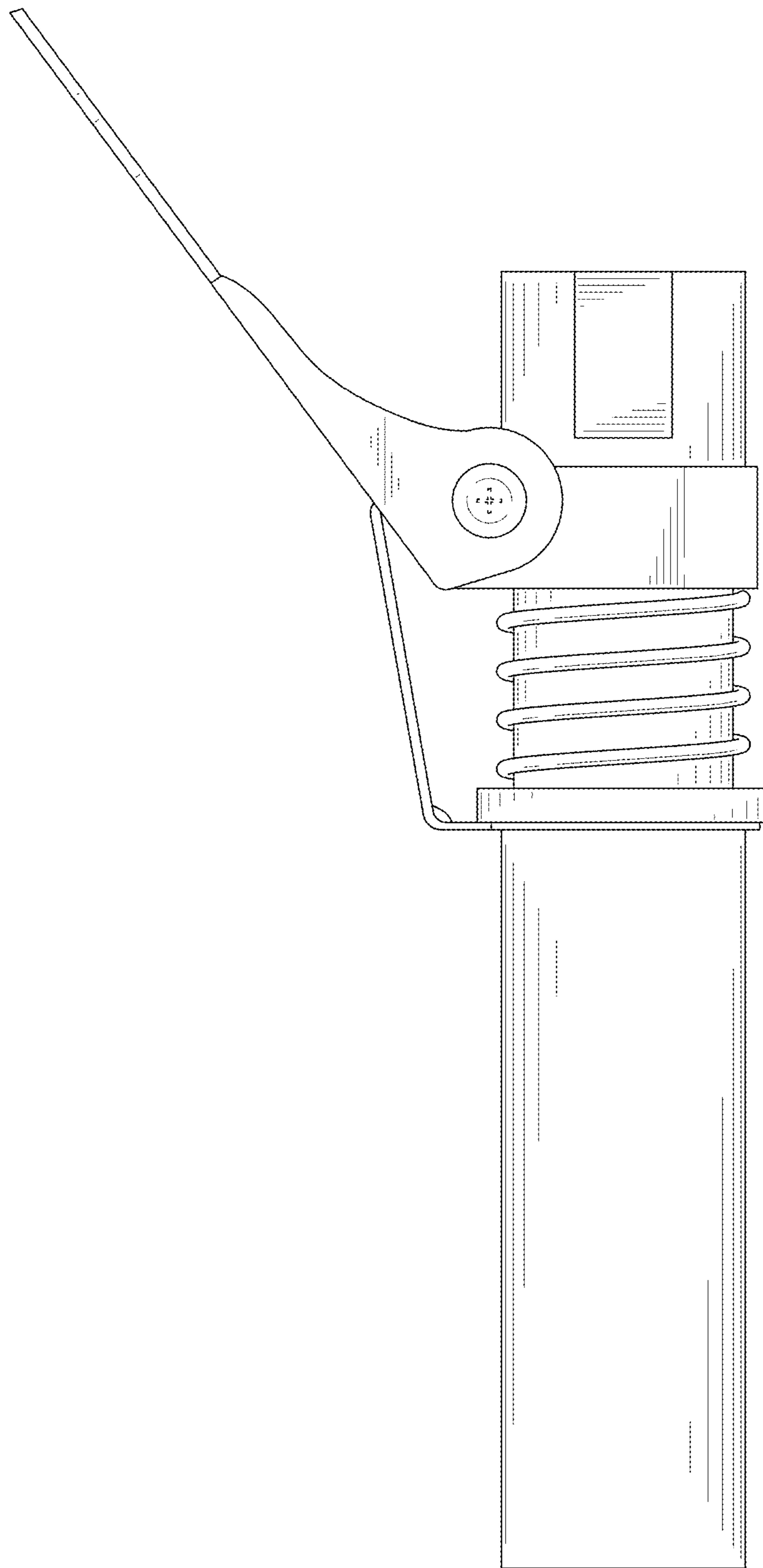


FIG. 5

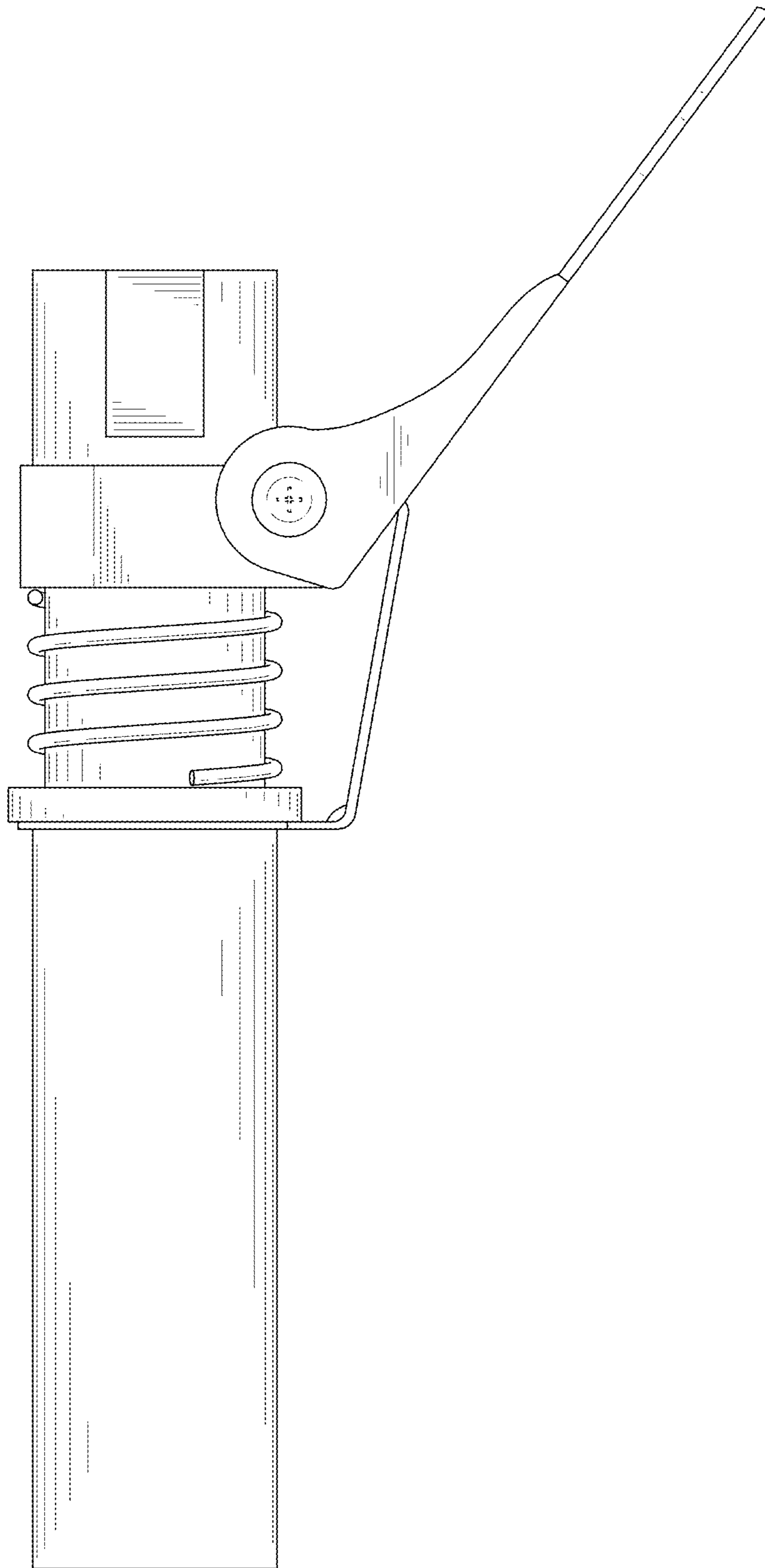


FIG. 6

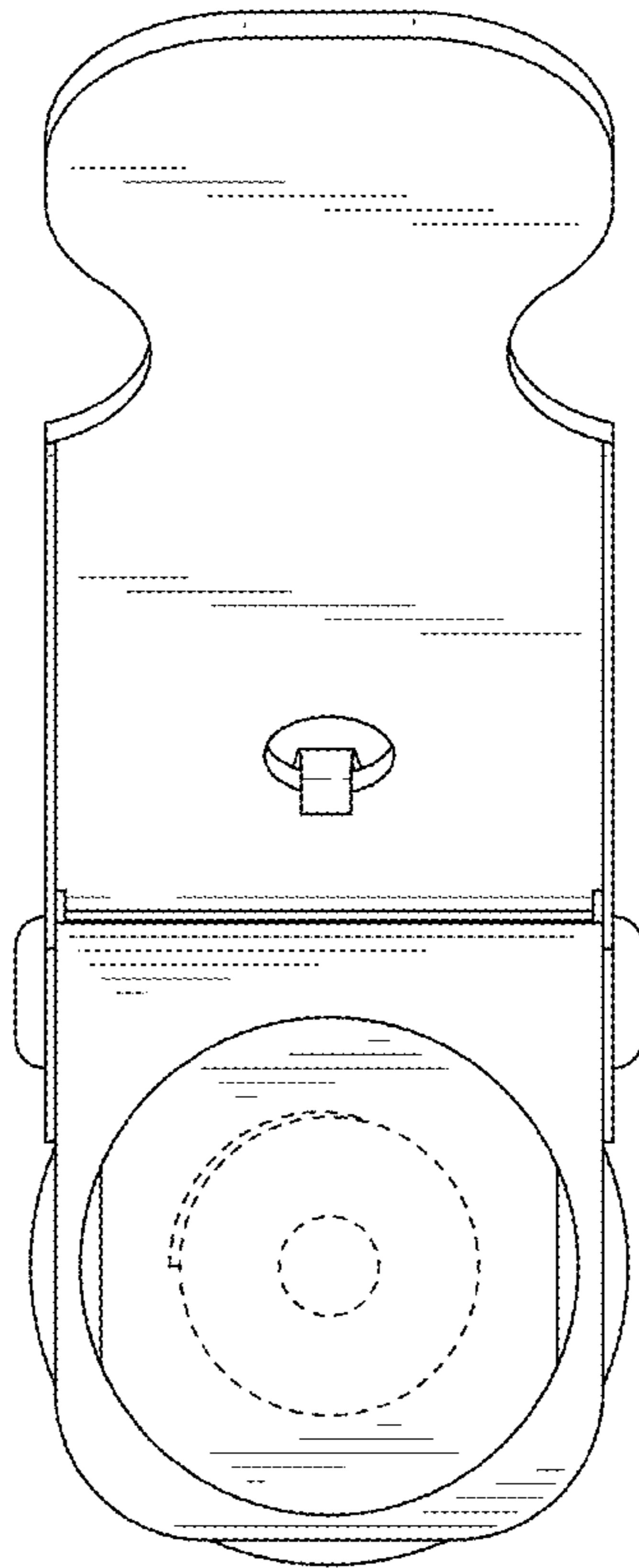


FIG. 7

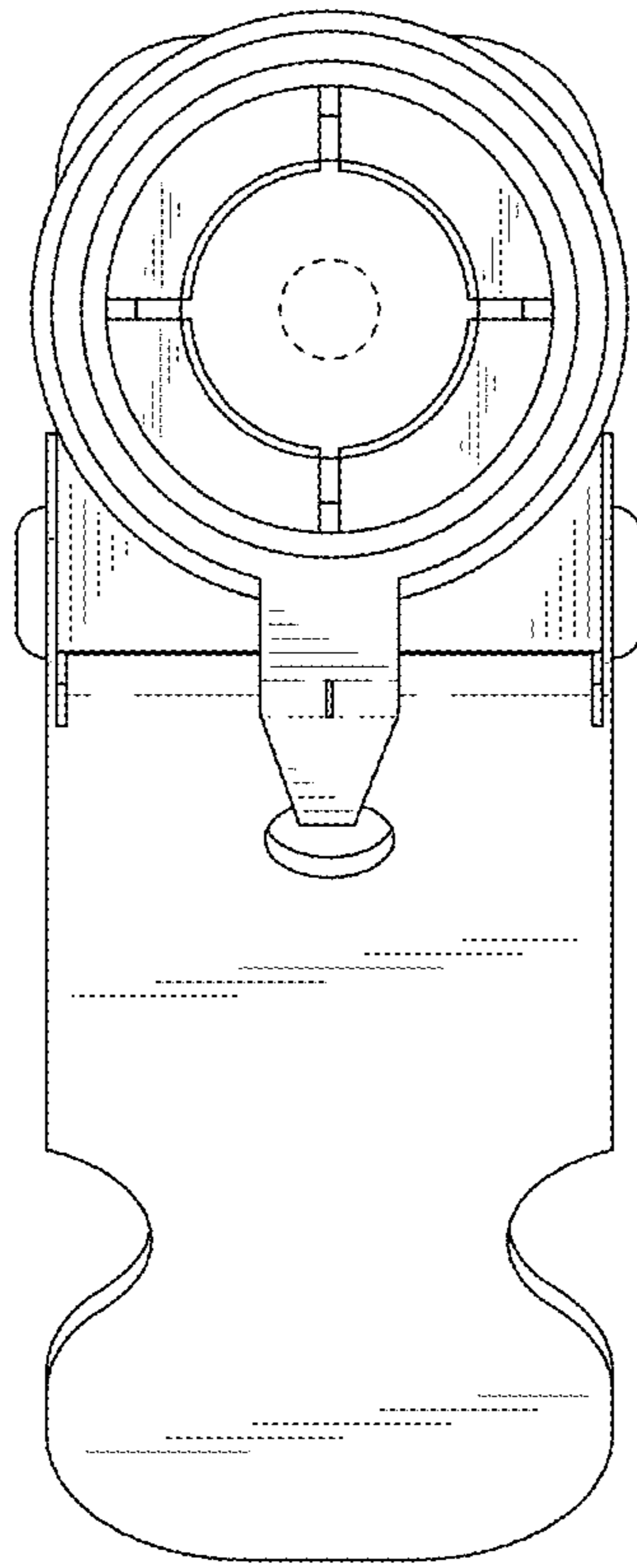


FIG. 8