



US00D967939S

(12) **United States Design Patent** (10) **Patent No.:** **US D967,939 S**
Qiu (45) **Date of Patent:** **** Oct. 25, 2022**

(54) **FAUCET**
(71) Applicant: **Chunhe Qiu**, Wenzhou (CN)
(72) Inventor: **Chunhe Qiu**, Wenzhou (CN)
(**) Term: **15 Years**

(21) Appl. No.: **29/772,395**
(22) Filed: **Mar. 1, 2021**
(51) **LOC (13) Cl.** **23-01**
(52) **U.S. Cl.**
USPC **D23/255**
(58) **Field of Classification Search**
USPC D23/238-244, 252, 254-255, 257, 499;
D7/398
CPC F16K 31/602; F16K 31/605; F16K 31/607;
E03C 1/0412
See application file for complete search history.

(56) **References Cited**

U.S. PATENT DOCUMENTS

D586,429 S * 2/2009 Fritz D23/238
D685,060 S * 6/2013 Yu D23/238
D685,454 S * 7/2013 Yu D23/238
D723,138 S * 2/2015 Ke D23/238
D790,667 S * 6/2017 Schaubach D23/252
D827,106 S * 8/2018 Rexach D23/255
D839,998 S * 2/2019 Chen D23/255
D840,513 S * 2/2019 Chen D23/255
D842,435 S * 3/2019 Jiang D23/238
D844,114 S * 3/2019 Chen D23/255
D849,200 S * 5/2019 Chen D23/238
D849,208 S * 5/2019 Chen D23/238
D850,587 S * 6/2019 Chen D23/238
D854,662 S * 7/2019 Schaubach D23/255
D854,663 S * 7/2019 Chen D23/255
D857,174 S * 8/2019 Chen D23/255
D857,175 S * 8/2019 Chen D23/255
D859,589 S * 9/2019 Chen D23/238
D860,409 S * 9/2019 Chen D23/255
D861,133 S * 9/2019 Chen D23/255

D861,137 S * 9/2019 Chen D23/255
D861,138 S * 9/2019 Chen D23/255
D873,384 S * 1/2020 Guo D23/255
D873,962 S * 1/2020 Fang D23/238
D918,343 S * 5/2021 Fang D23/238
(Continued)

FOREIGN PATENT DOCUMENTS

CA 180533 * 1/2019
CN 304968962 * 12/2018

OTHER PUBLICATIONS

Waterfall Basin Taps, first available Apr. 1, 2018[online], [site visited Jun. 9, 2022]. Available from internet, URL:< <https://www.amazon.co.uk/Waterfall-Antique-Bathroom-YU-XIN/dp/B07CZ7C7TX?th=1> > (Year: 2018).*
(Continued)

Primary Examiner — David G Muller
Assistant Examiner — Jamaal Rasheed
(74) *Attorney, Agent, or Firm* — Xiaofang Zhong; Law Office of Xiaofang Zhong, PLLC

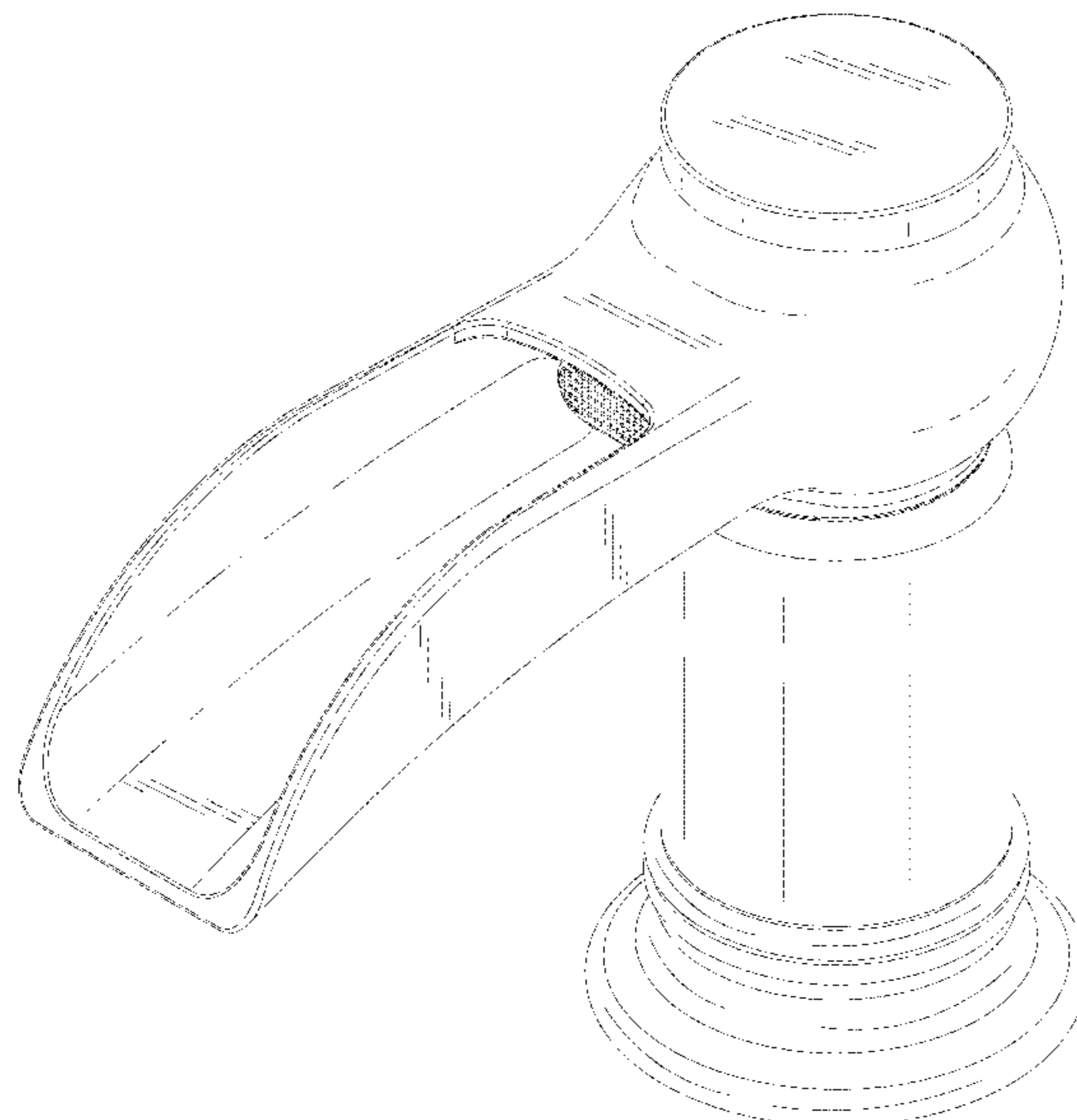
(57) **CLAIM**

The ornamental design for a faucet, as shown and described.

DESCRIPTION

FIG. 1 is a perspective view of a faucet showing my new design;
FIG. 2 is a front elevational view thereof;
FIG. 3 is a back elevational view thereof;
FIG. 4 is a right-side elevational view thereof;
FIG. 5 is a left-side elevational view thereof;
FIG. 6 is a top plan view thereof; and,
FIG. 7 is a bottom plan view thereof.
The broken lines in the drawings depict part of the faucet that form no part of the claimed design.

1 Claim, 7 Drawing Sheets



(56)

References Cited

U.S. PATENT DOCUMENTS

D918,346 S * 5/2021 Zhang D23/255
D921,158 S * 6/2021 Cai D23/238

OTHER PUBLICATIONS

Bathroom Tap Modern Basin Mixer Tap, first available Sep. 9, 2019[online], [site visited Jun. 13, 2022]. Available from internet, URL:< <https://www.amazon.co.uk/Bathroom-Modern-Washroom-Waterfall-Brushed/dp/B07YFQ8LJR> > (Year: 2019).*

* cited by examiner

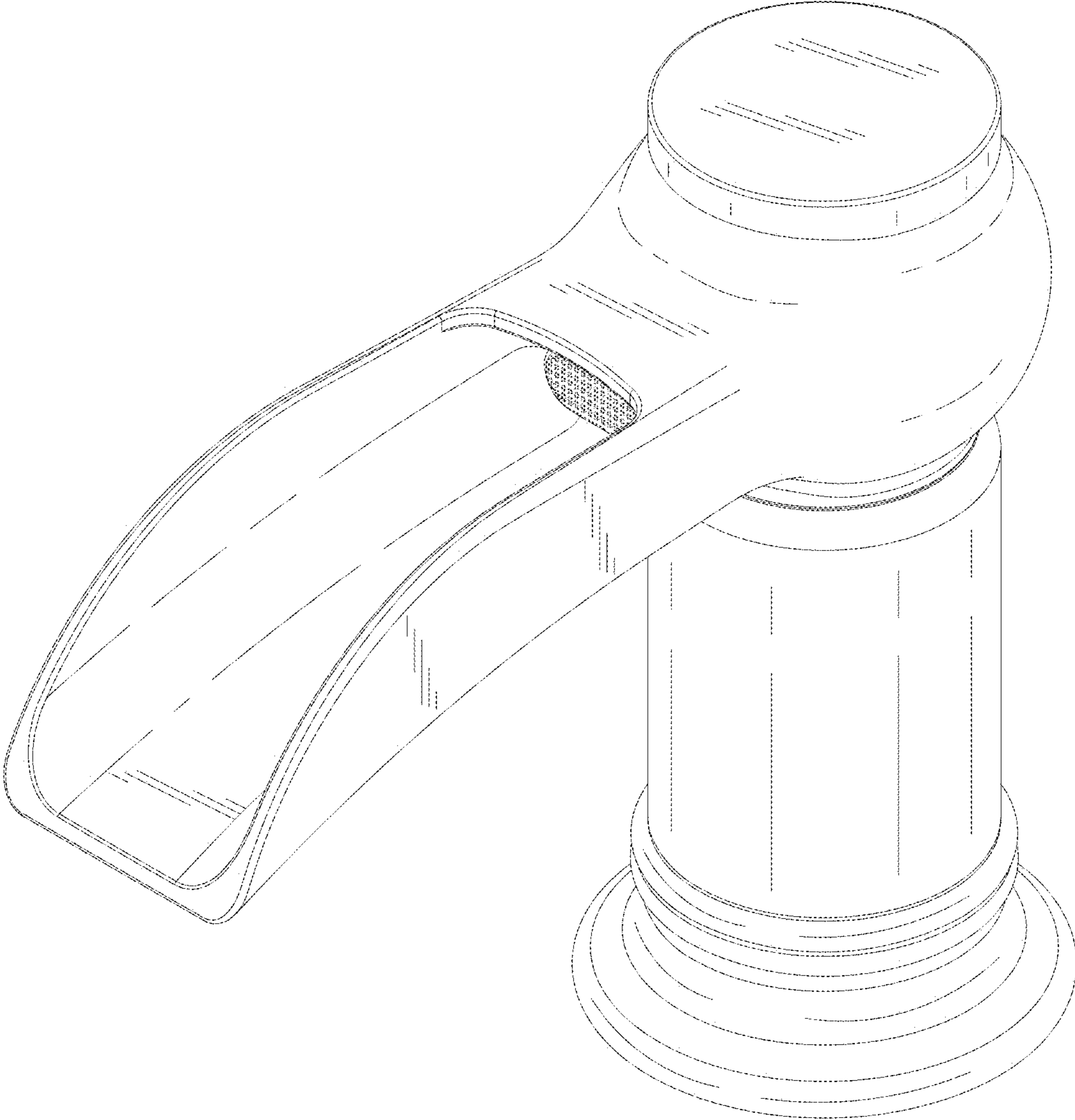


FIG. 1

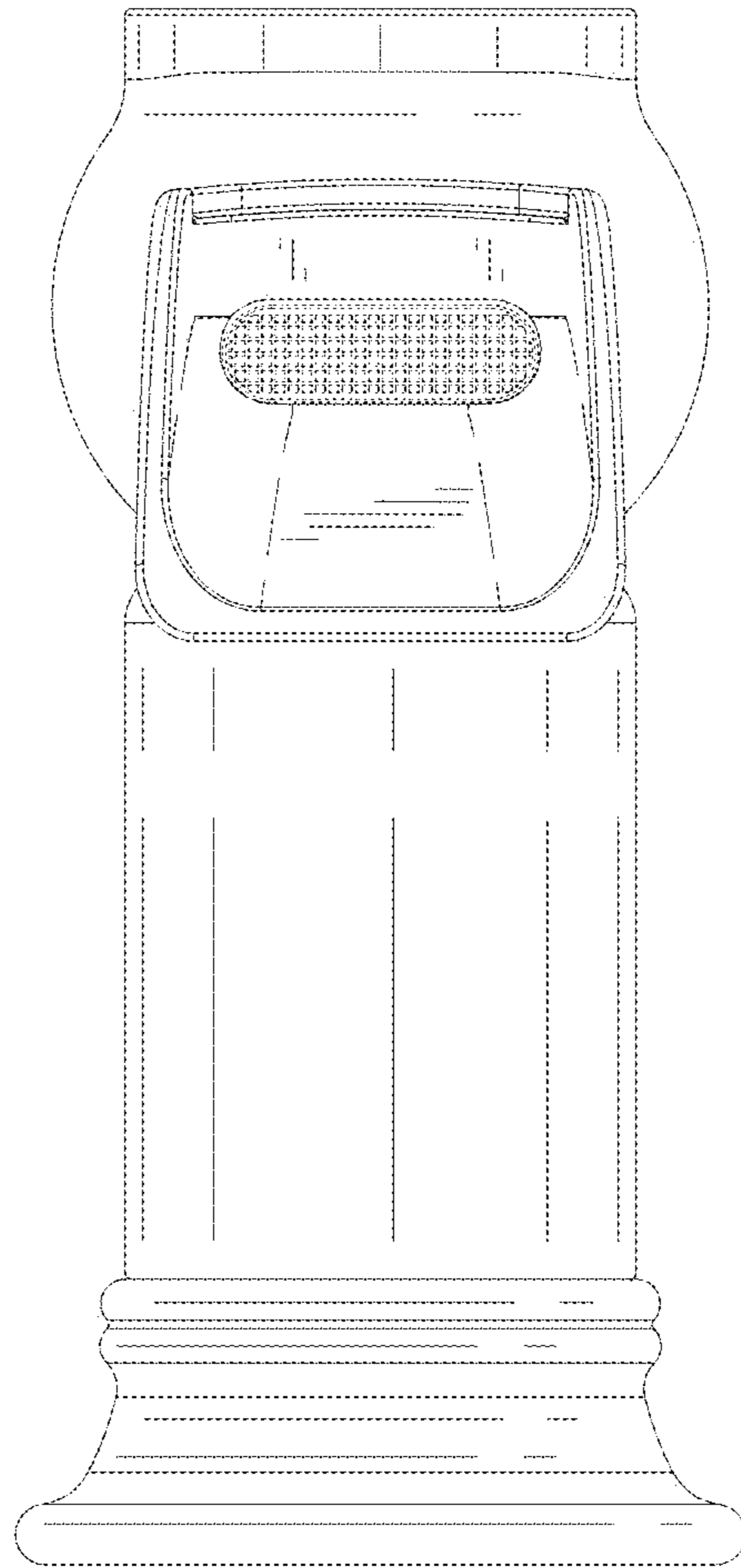


FIG. 2

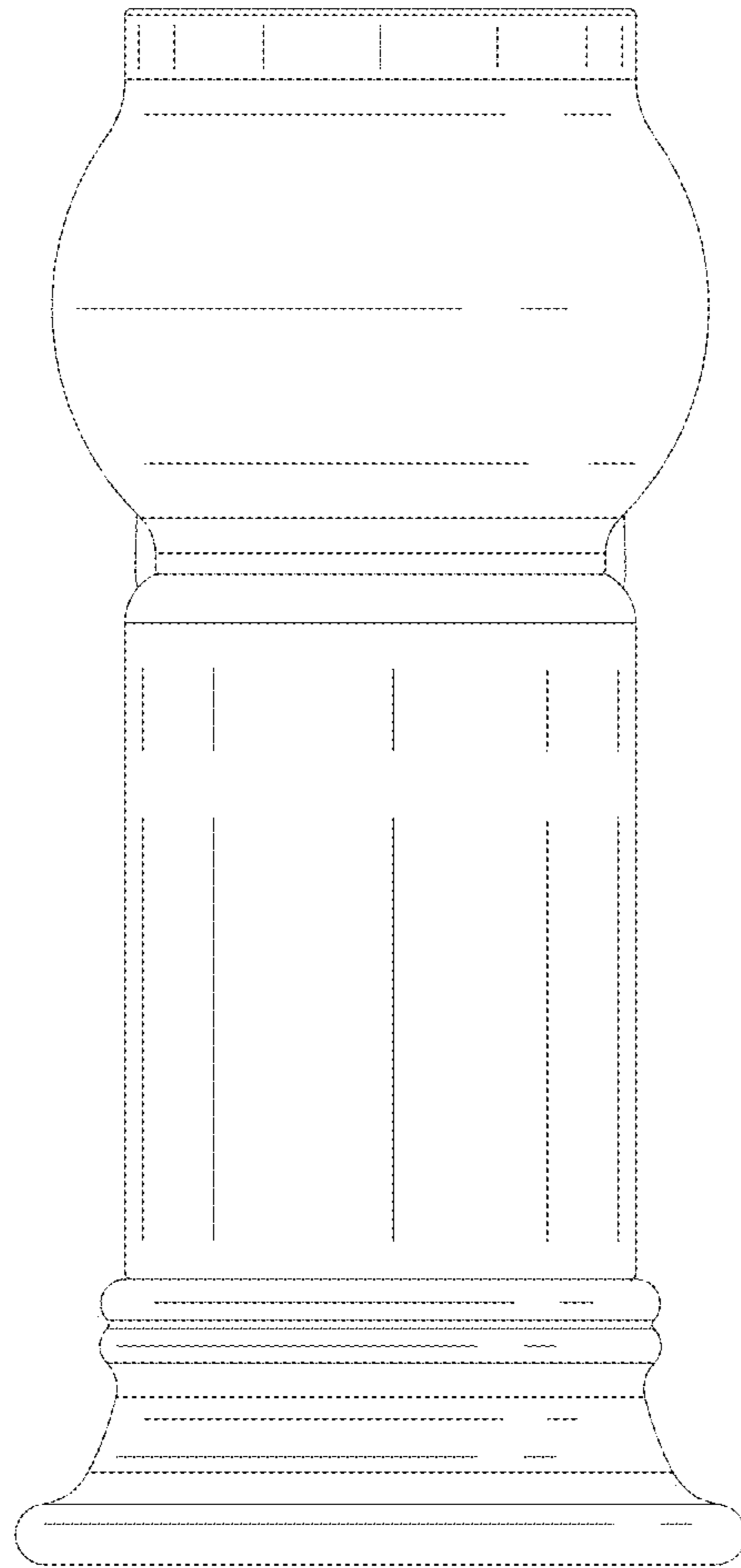


FIG. 3

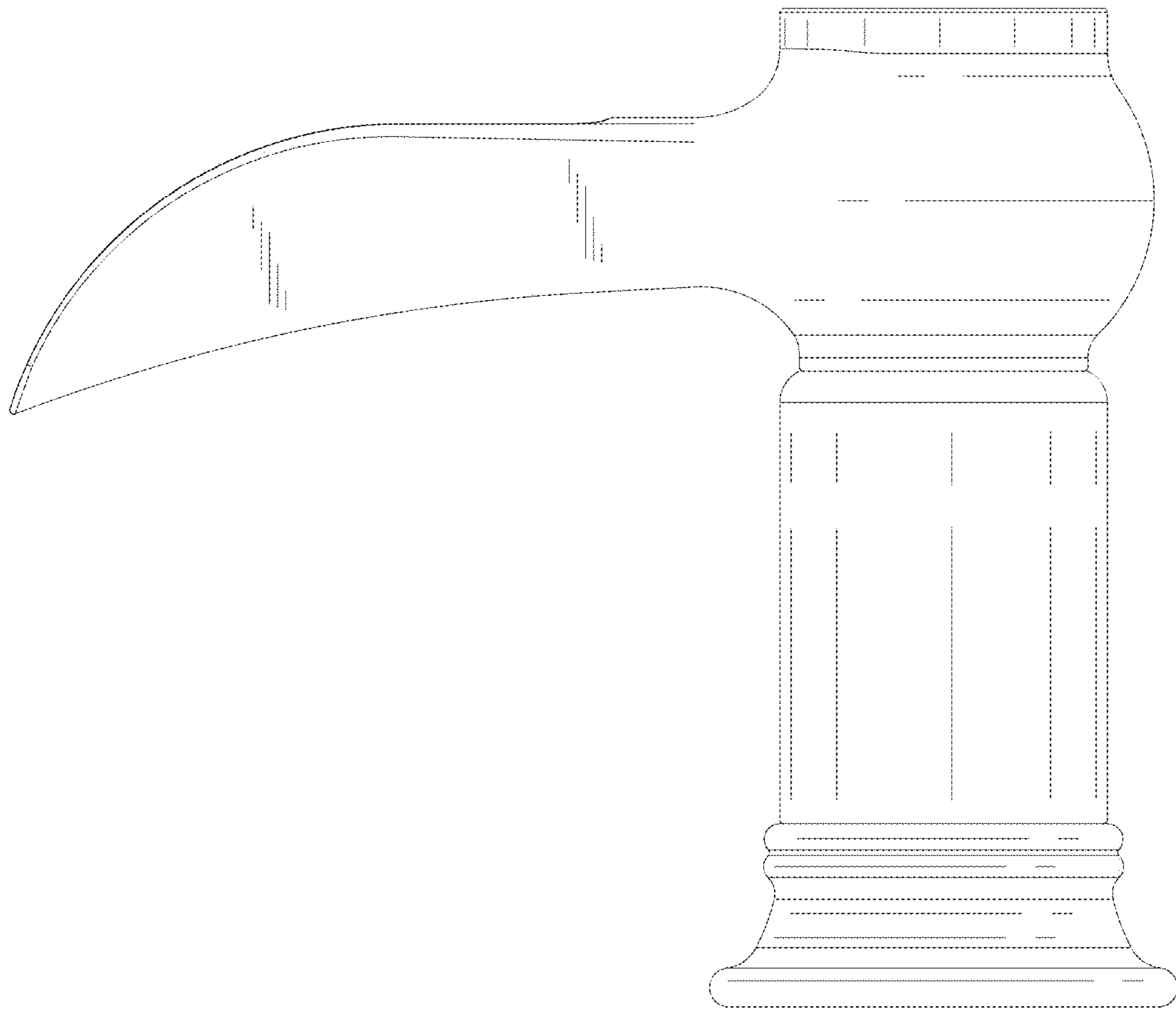


FIG. 4

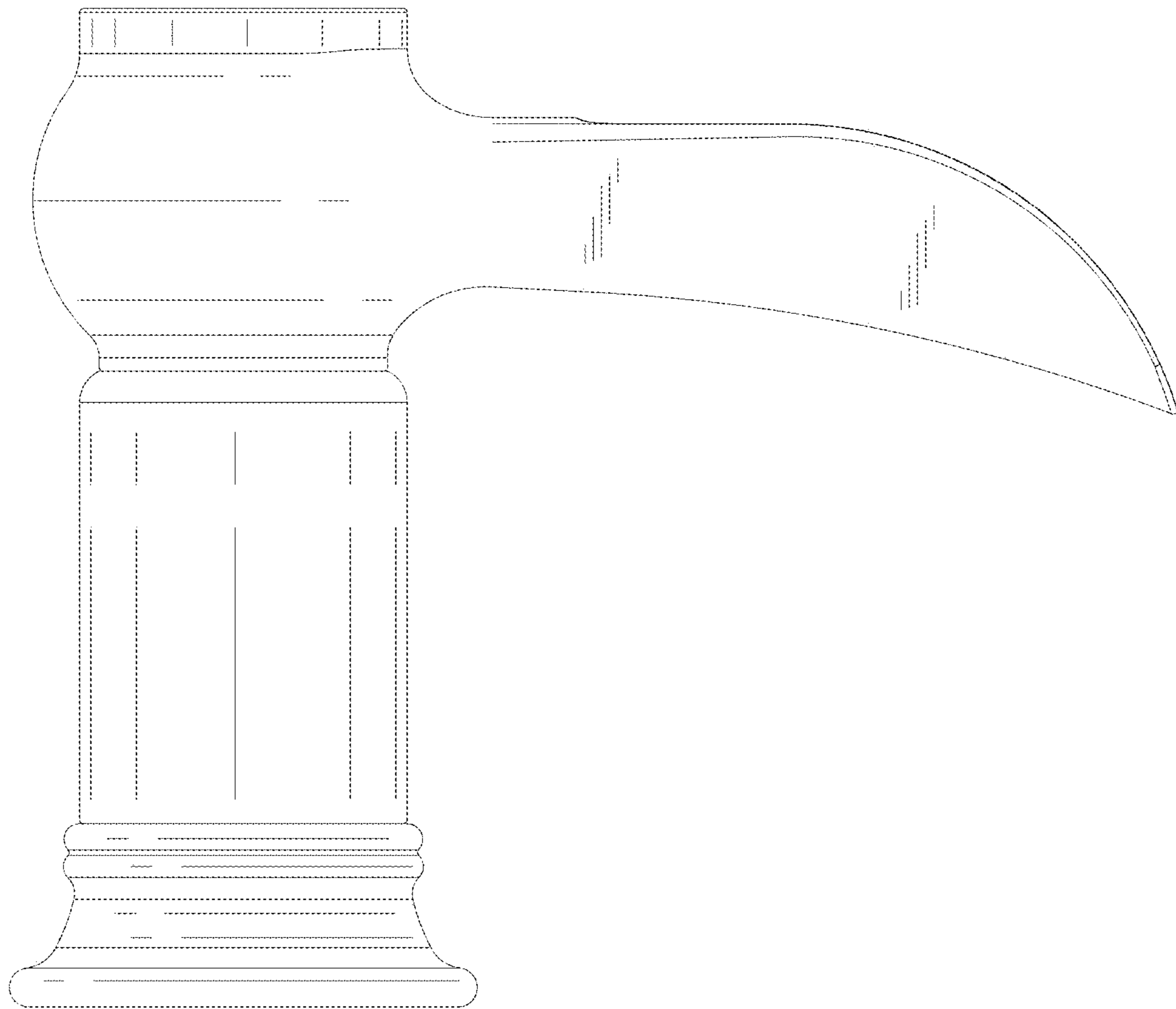


FIG. 5

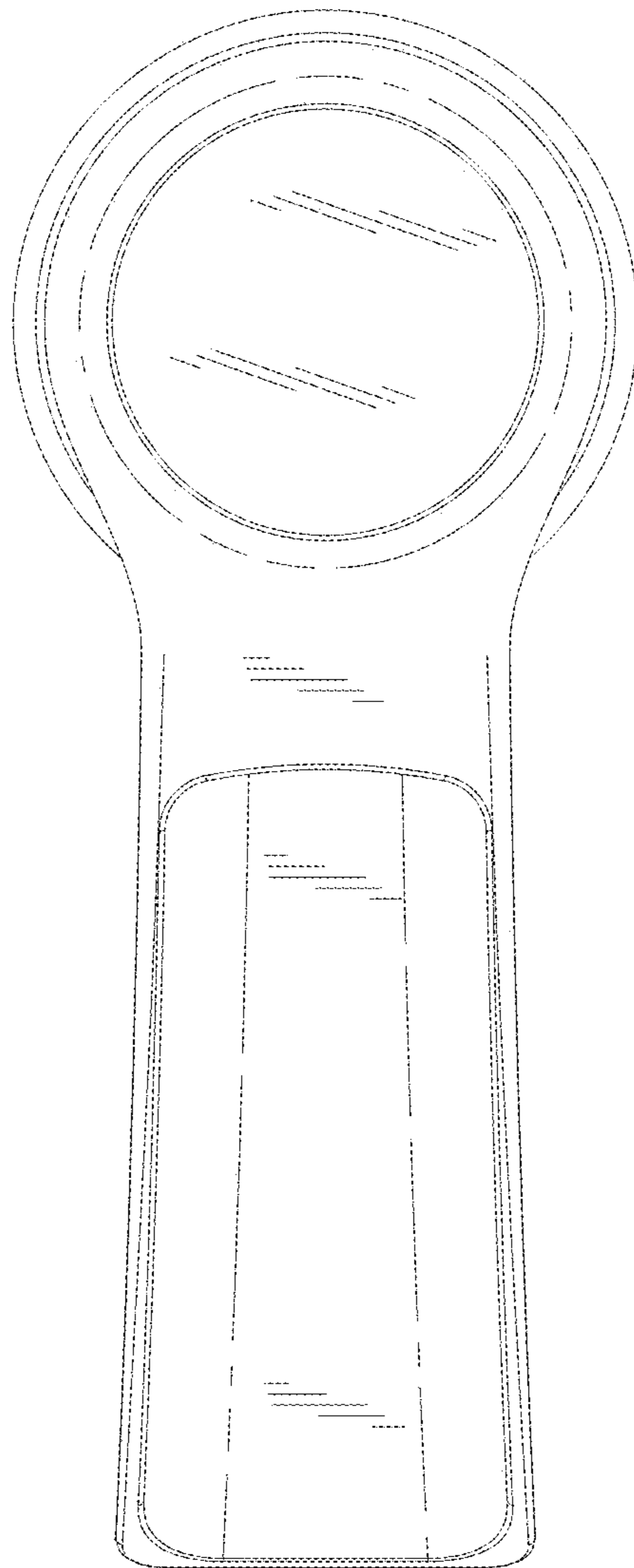


FIG. 6

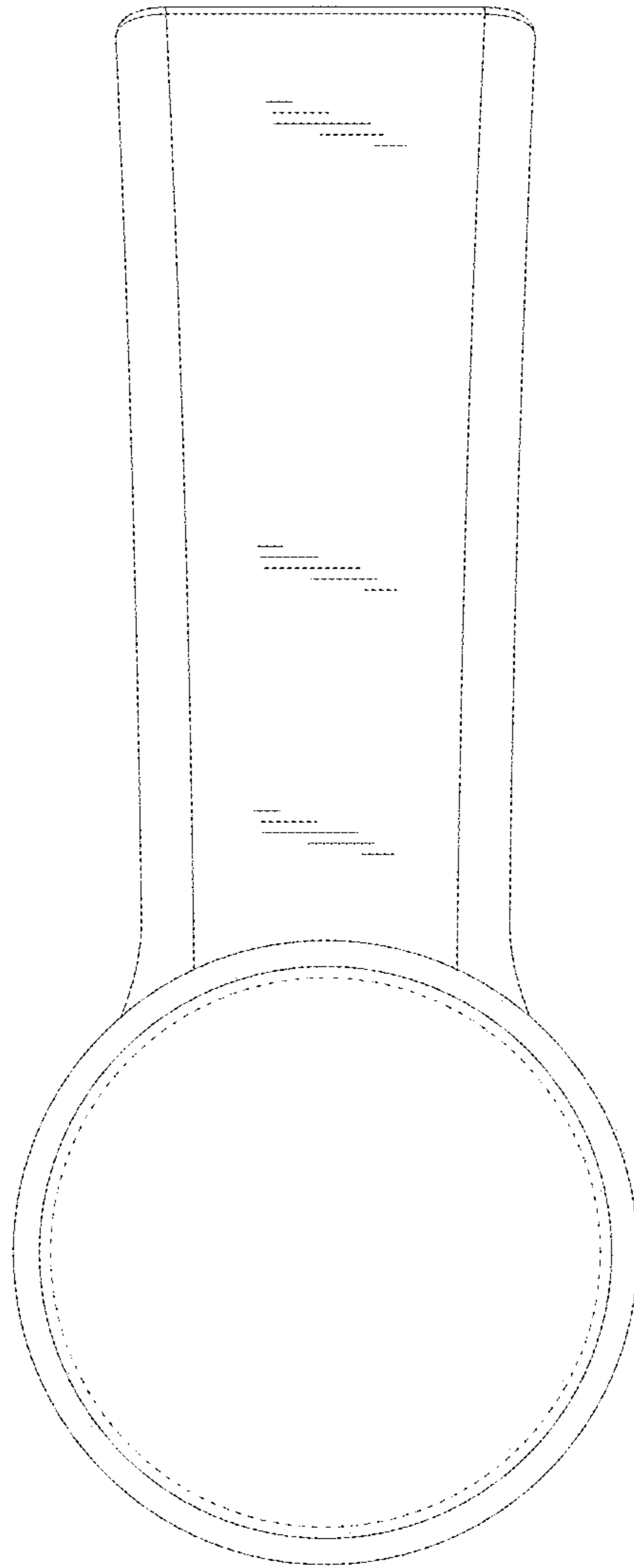


FIG. 7