

US00D967938S

(12) **United States Design Patent** (10) **Patent No.:** **US D967,938 S**
Lee et al. (45) **Date of Patent:** **** Oct. 25, 2022**

- (54) **SHOWER HANDLE** D509,285 S 9/2005 Blattner et al.
- (71) Applicant: **Kohler Co.**, Kohler, WI (US) D520,606 S 5/2006 Hoernig
- (72) Inventors: **Dongha Lee**, Sheboygan, WI (US); D527,804 S 9/2006 Chu et al.
- Rafael A. Rexach**, Sheboygan, WI D582,014 S 12/2008 Spangler
- (US); **Drew Johnson**, Sheboygan, WI D615,626 S 5/2010 Tippens
- (US) D657,023 S 4/2012 McKeone
- D672,437 S 12/2012 Kwok
- D688,353 S 8/2013 Flowers
- D717,919 S 11/2014 Rexach
- D717,920 S 11/2014 Rexach

(Continued)

(73) Assignee: **KOHLER CO.**, Kohler, WI (US)

(**) Term: **15 Years**

FOREIGN PATENT DOCUMENTS

(21) Appl. No.: **29/820,609**

- CN 101945708 A 1/2011
- CN 104822462 A 8/2015
- DE 39 07 379 A1 5/1990

(22) Filed: **Dec. 22, 2021**

Primary Examiner — Robert A Delehanty

Related U.S. Application Data

(74) *Attorney, Agent, or Firm* — Foley & Lardner LLP

(62) Division of application No. 29/766,292, filed on Jan. 14, 2021, now Pat. No. Des. 941,436, which is a division of application No. 29/682,389, filed on Mar. 5, 2019, now Pat. No. Des. 909,541, which is a division of application No. 29/606,581, filed on Jun. 6, 2017, now Pat. No. Des. 847,307.

(57) **CLAIM**

We claim the ornamental design for a shower handle, as shown and described.

(51) **LOC (13) Cl.** **23-01**

(52) **U.S. Cl.**
USPC **D23/250**

(58) **Field of Classification Search**
USPC D23/238–243, 249–250, 252–253;
D8/307–308

See application file for complete search history.

DESCRIPTION

FIG. 1 is a perspective view of the claimed design;
FIG. 2 is a front elevation view thereof, the rear elevation view being a mirror image of the front elevation view;
FIG. 3 is a right side elevation view thereof, the left side elevation view being a mirror image of the right side elevation view; and,
FIG. 4 is a top plan view thereof.

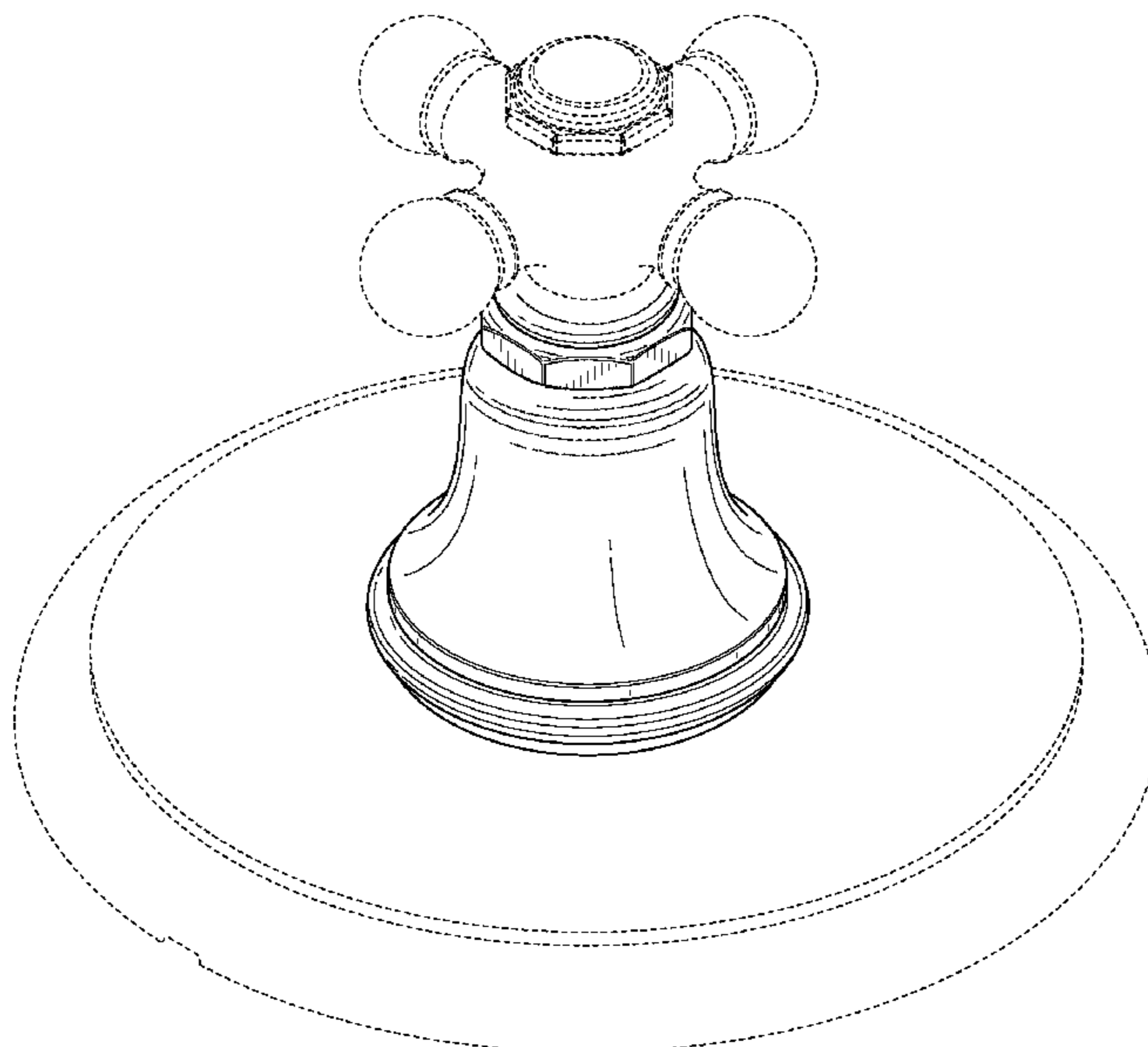
The ornamental design which is claimed is shown in solid lines in the drawings. The broken lines in the drawings are for illustrative purposes only and form no part of the claimed design. Broken lines formed by equal length dashes show unclaimed subject matter. Broken lines formed by unequal length dashes (i.e., dash-dot) define bounds of the claimed design.

(56) **References Cited**

U.S. PATENT DOCUMENTS

- 3,465,968 A 9/1969 Halpern
- D317,816 S 6/1991 Robbins
- D458,344 S 6/2002 Mullenmeister
- D458,346 S 6/2002 Mullenmeister
- D458,668 S 6/2002 Mullenmeister
- D465,268 S 11/2002 Mullenmeister

1 Claim, 4 Drawing Sheets



(56)

References Cited

U.S. PATENT DOCUMENTS

D717,921 S	11/2014	Rexach	
D718,423 S	11/2014	Rexach	
D718,842 S	12/2014	Rexach	
D729,351 S	5/2015	Fritz	
D731,029 S *	6/2015	Fritz	D23/253
D827,106 S	8/2018	Rexach et al.	
2017/0189919 A1	7/2017	Mei	

* cited by examiner

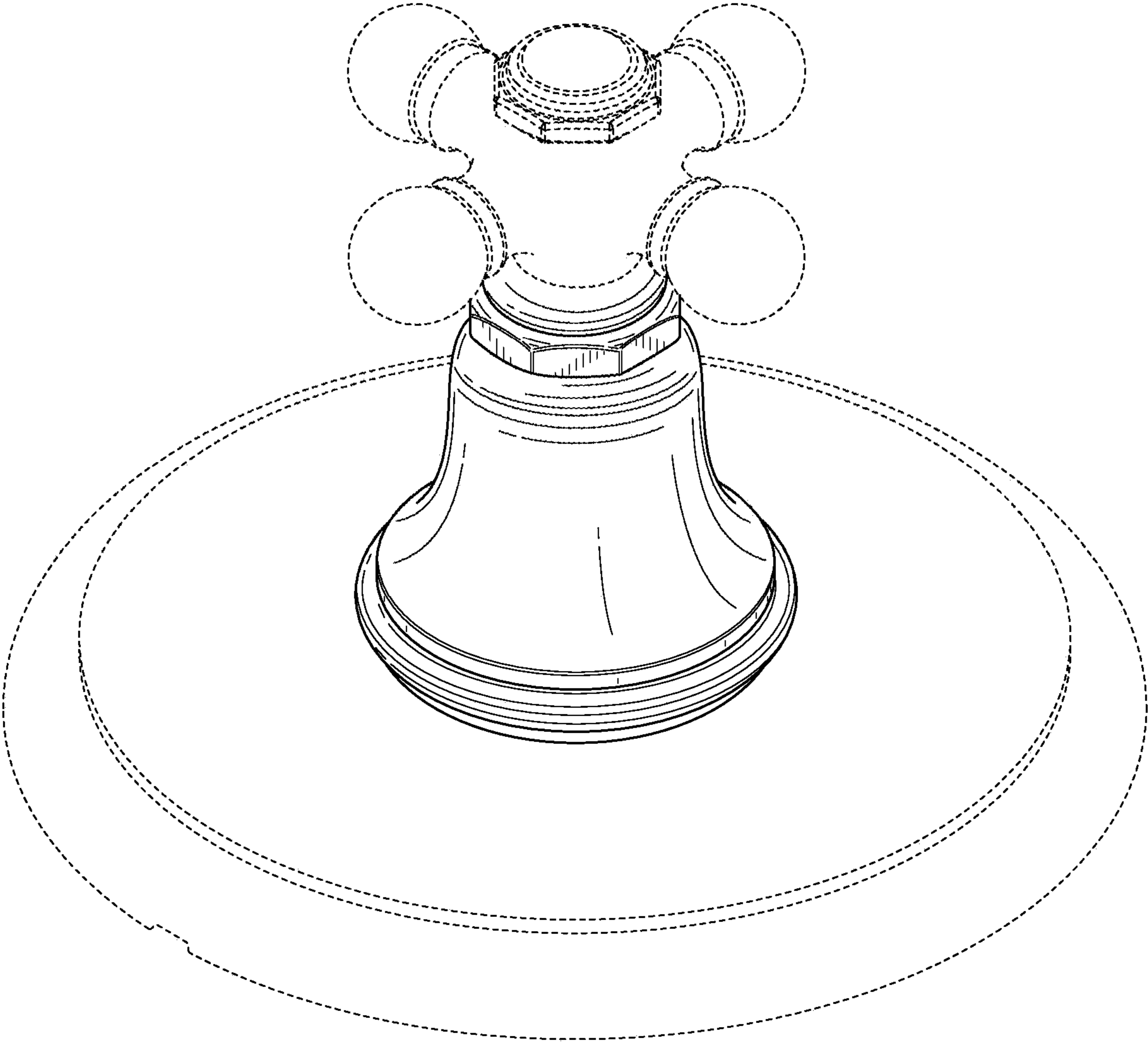


FIG. 1

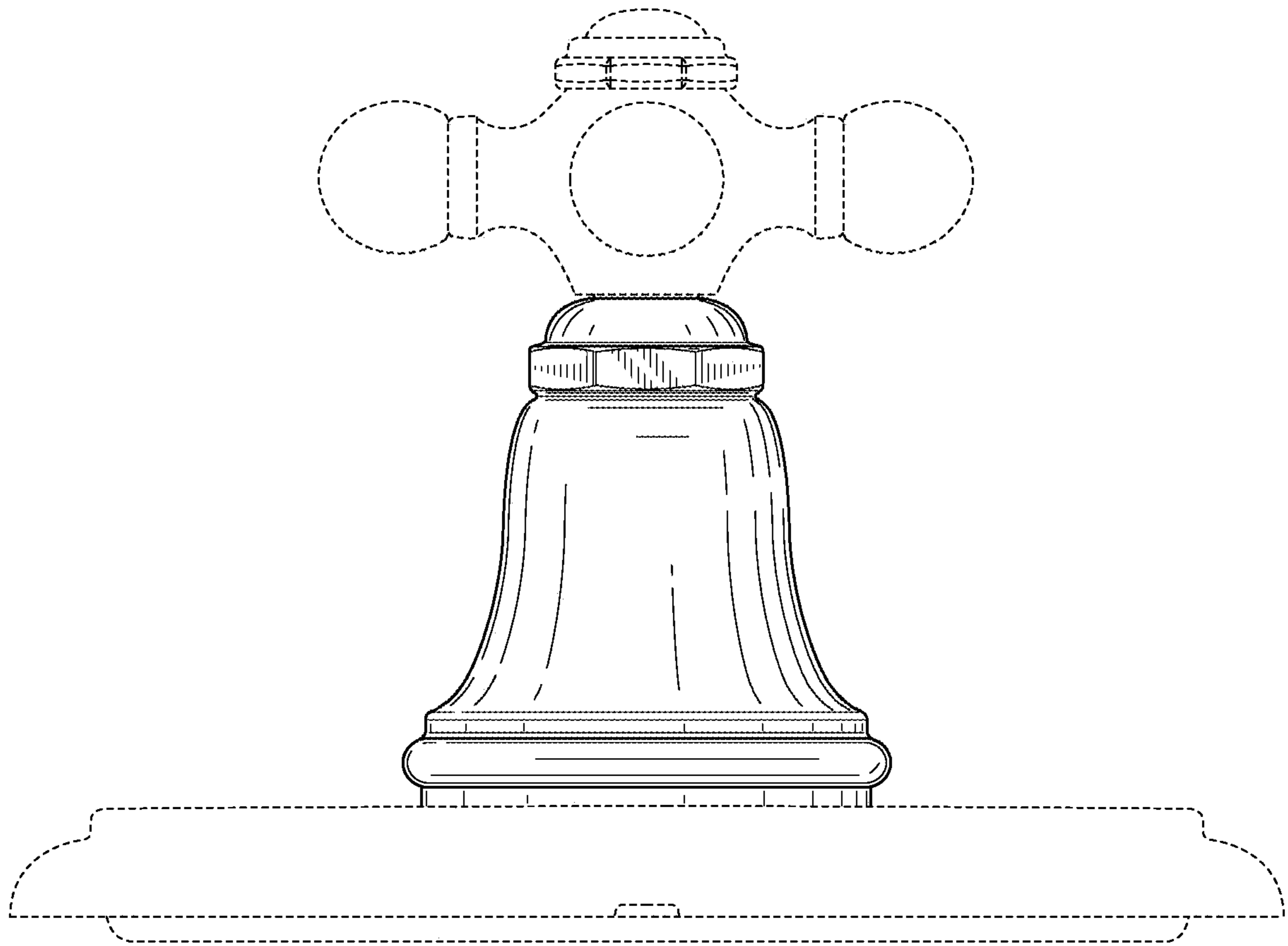


FIG. 2

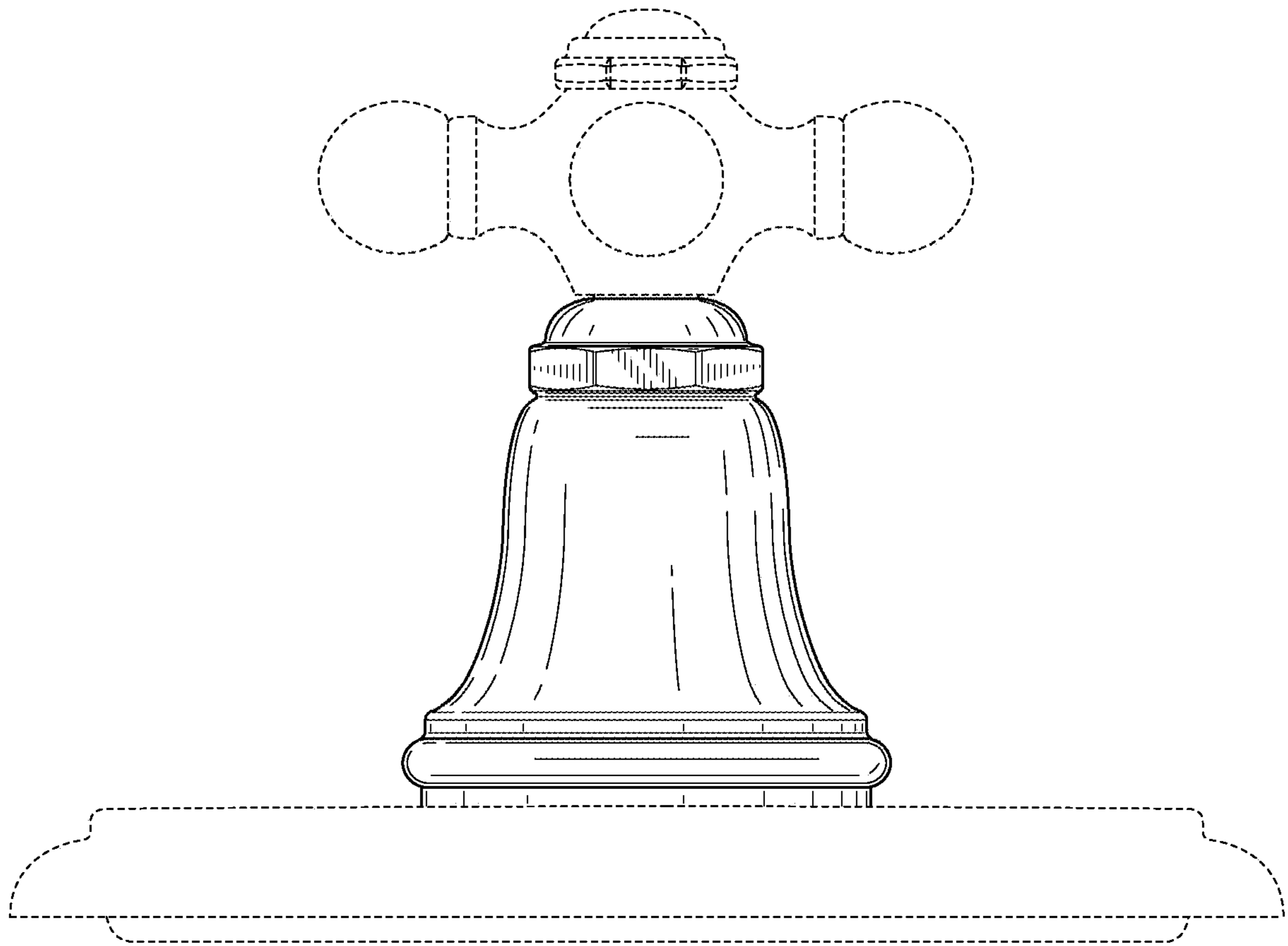


FIG. 3

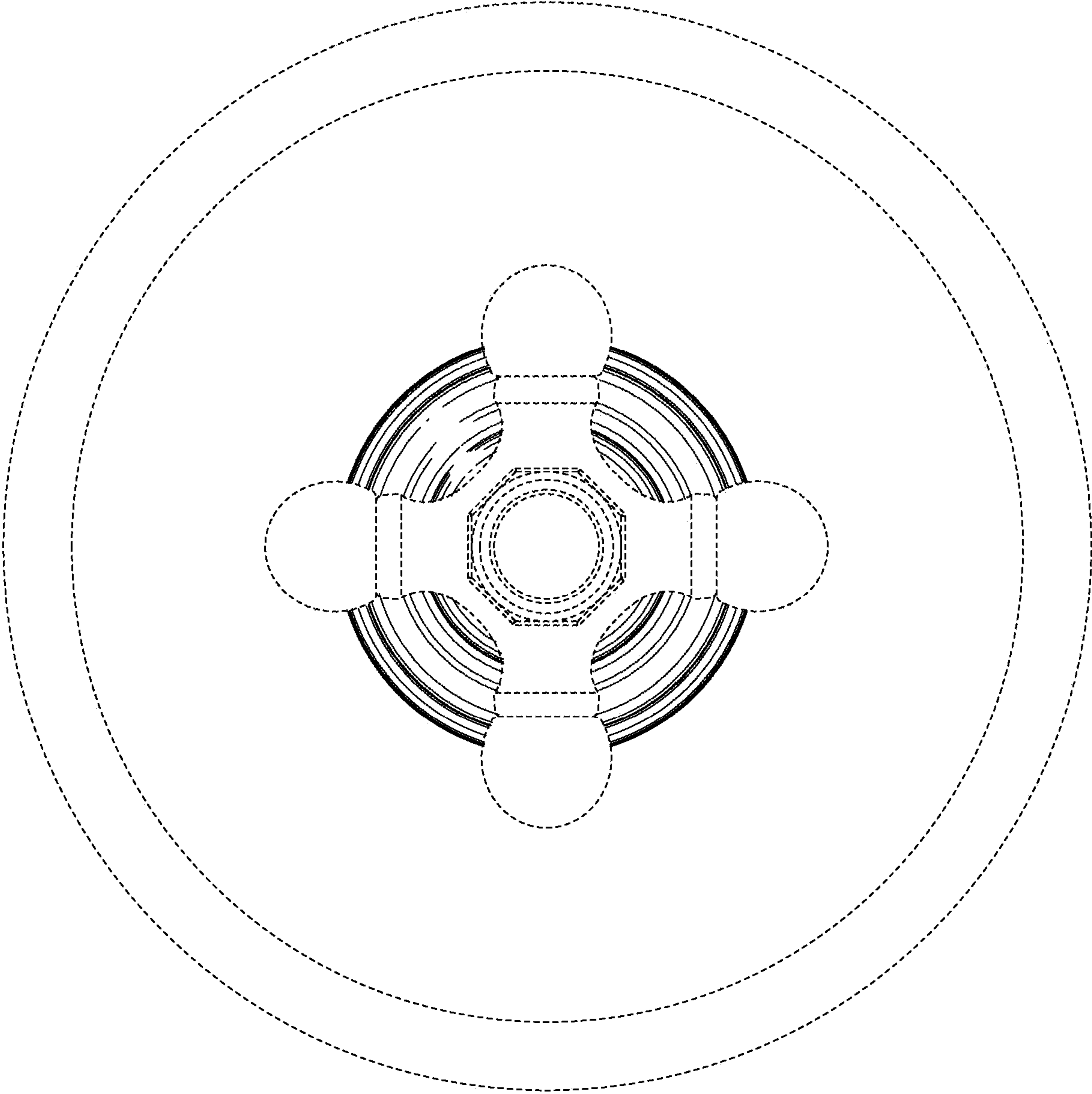


FIG. 4