



US00D967937S

(12) **United States Design Patent**
Truong et al.

(10) **Patent No.:** **US D967,937 S**
(45) **Date of Patent:** **** Oct. 25, 2022**

(54) **IRRIGATION VALVE**

(71) Applicant: **Storm Manufacturing Group,**
Torrance, CA (US)

(72) Inventors: **Hung Truong,** Los Angeles, CA (US);
Bogumil Matysek, Lomita, CA (US)

(73) Assignee: **Storm Manufacturing Group,**
Torrance, CA (US)

(**) Term: **15 Years**

(21) Appl. No.: **29/723,527**

(22) Filed: **Feb. 7, 2020**

(51) **LOC (13) Cl.** **23-01**

(52) **U.S. Cl.**
USPC **D23/244**

(58) **Field of Classification Search**
USPC D23/214, 233–237, 241–250

(Continued)

(56) **References Cited**

U.S. PATENT DOCUMENTS

D660,404 S * 5/2012 Weingarten D23/244
D692,983 S * 11/2013 Nissen D23/233

(Continued)

Primary Examiner — Gino Colan

(74) *Attorney, Agent, or Firm* — Felix L. Fischer

(57) **CLAIM**

The ornamental design for an irrigation valve, as shown and described.

DESCRIPTION

FIG. 1 is a top right perspective view of a first embodiment of the irrigation valve;

FIG. 2 is a bottom left perspective view of the first embodiment of the irrigation valve;

FIG. 3 is a front view of the first embodiment of the irrigation valve;

FIG. 4 is a rear view of the first embodiment of the irrigation valve;

FIG. 5 is a left side view of the first embodiment of the irrigation valve;

FIG. 6 is a right side view of the first embodiment of the irrigation valve;

FIG. 7 is a bottom view of the first embodiment of the irrigation valve;

FIG. 8 is a top view of the first embodiment of the irrigation valve;

FIG. 9 is a top right perspective view of a second embodiment of the irrigation valve;

FIG. 10 is a bottom left perspective view of the second embodiment of the irrigation valve;

FIG. 11 is a front view of the second embodiment of the irrigation valve;

FIG. 12 is a rear view of the second embodiment of the irrigation valve;

FIG. 13 is a left side view of the second embodiment of the irrigation valve;

FIG. 14 is a right side view of the second embodiment of the irrigation valve;

FIG. 15 is a bottom view of the second embodiment of the irrigation valve;

FIG. 16 is a top view of the second embodiment of the irrigation valve;

FIG. 17 is a top right perspective view of a third embodiment of the irrigation valve;

FIG. 18 is a bottom left perspective view of the third embodiment of the irrigation valve;

FIG. 19 is a front view of the third embodiment of the irrigation valve;

FIG. 20 is a rear view of the third embodiment of the irrigation valve;

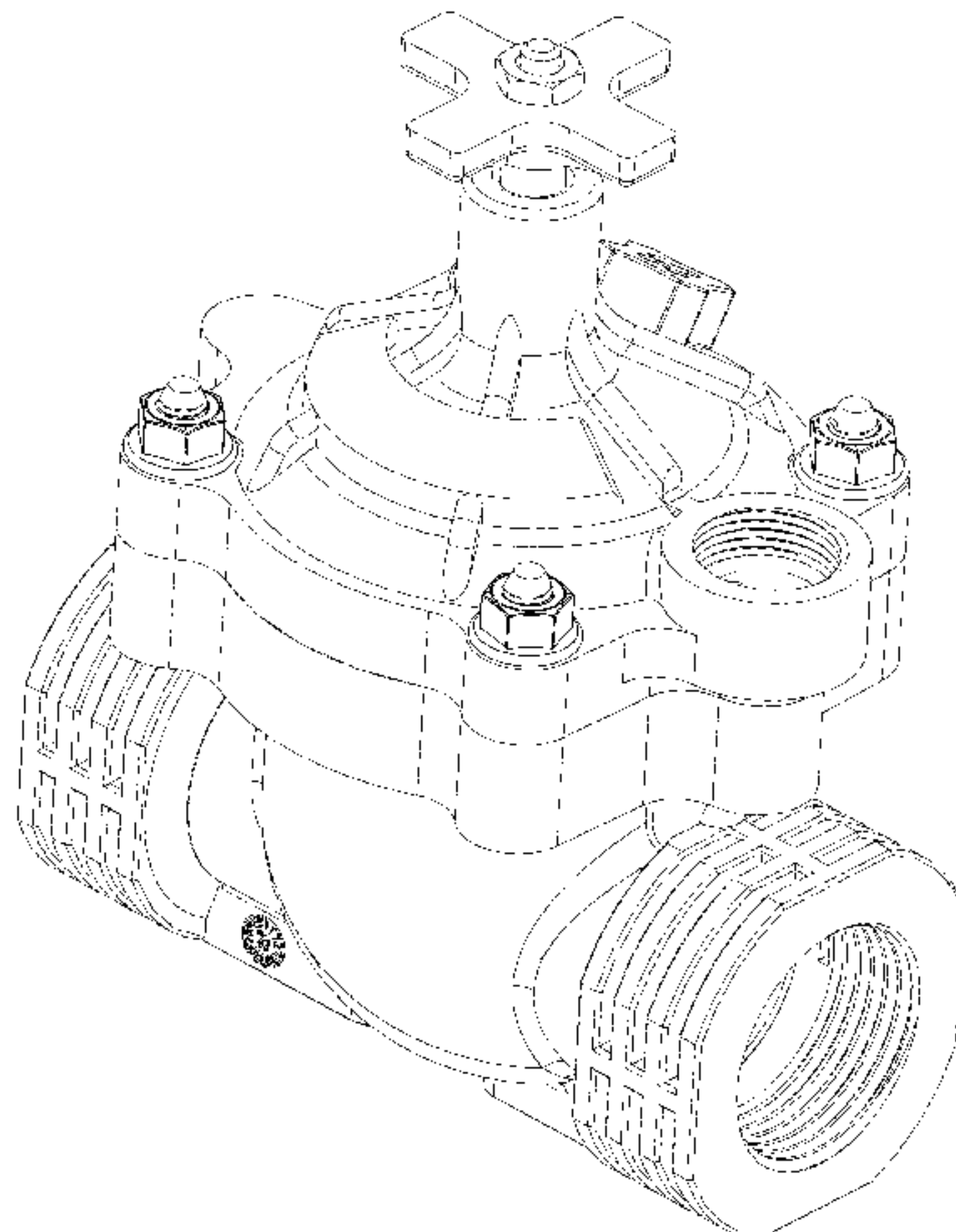
FIG. 21 is a left side view of the third embodiment of the irrigation valve;

FIG. 22 is a right side view of the third embodiment of the irrigation valve;

FIG. 23 is a bottom view of the third embodiment of the irrigation valve; and,

FIG. 24 is a top view of the third embodiment of the irrigation valve.

(Continued)



The broken lines shown in the figures are for the purpose of illustrating portions of the irrigation valve and form no part of the claimed design.

1 Claim, 21 Drawing Sheets

(58) **Field of Classification Search**

CPC ... A01G 25/16; F16K 31/402; F16K 31/0627;
F16K 11/044; F16K 31/12; F16K 1/14;
F16K 1/36; F16K 27/0209; F16K 7/17
See application file for complete search history.

(56) **References Cited**

U.S. PATENT DOCUMENTS

D835,240 S * 12/2018 Ben Yaacov D23/248
10,571,040 B2 * 2/2020 Babb F16K 31/0658
11,137,078 B2 * 10/2021 Williams F16K 7/17

* cited by examiner

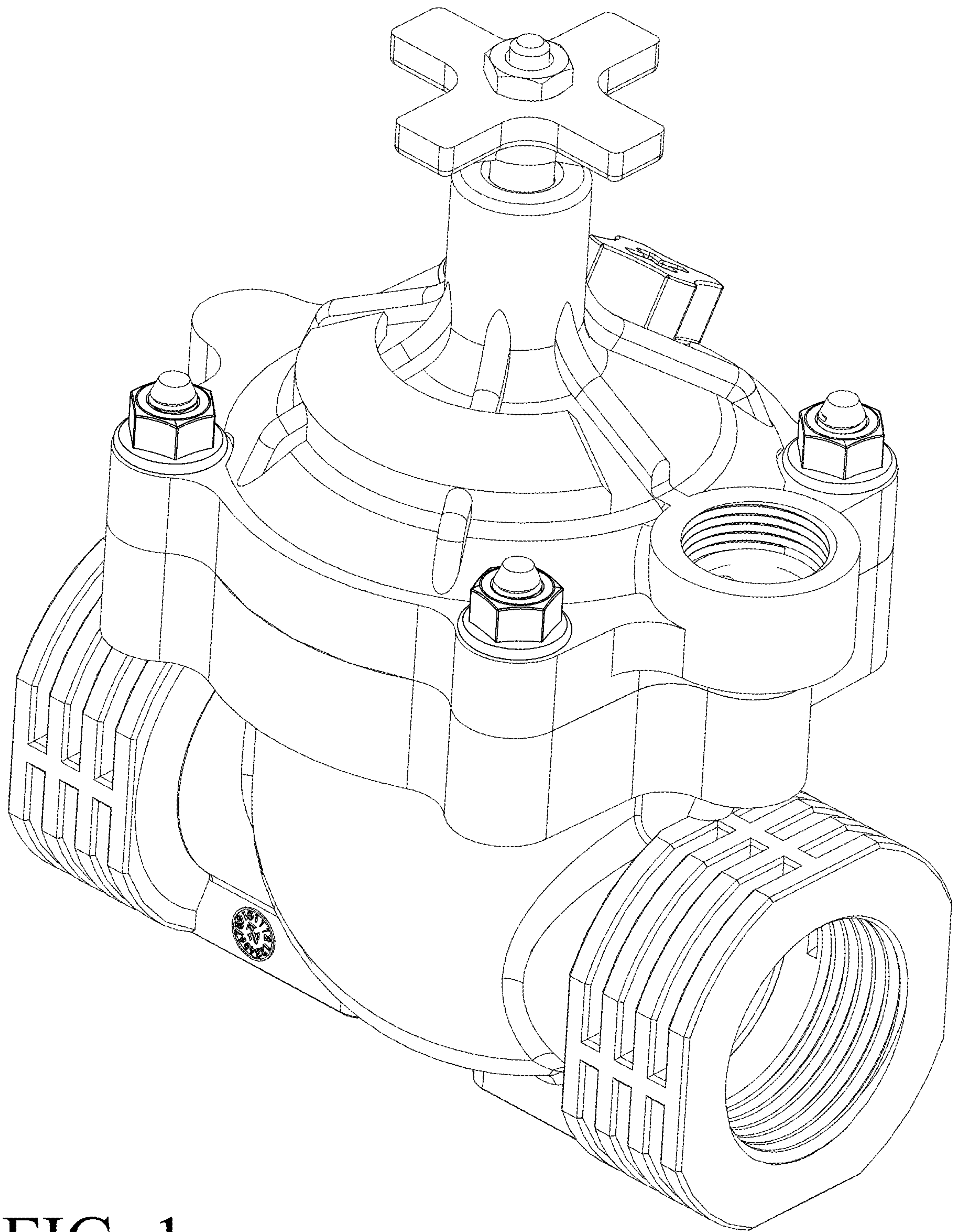


FIG. 1

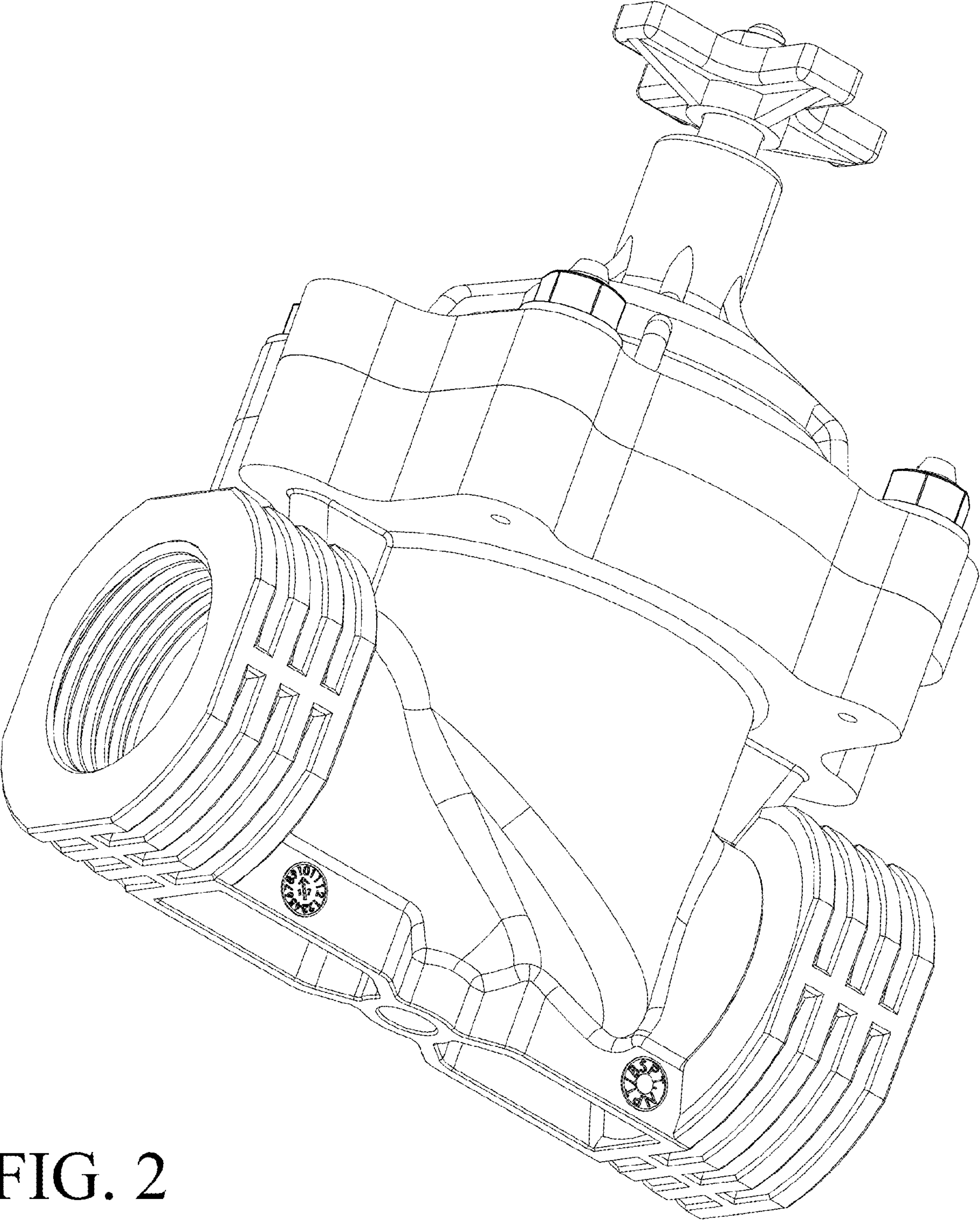


FIG. 2

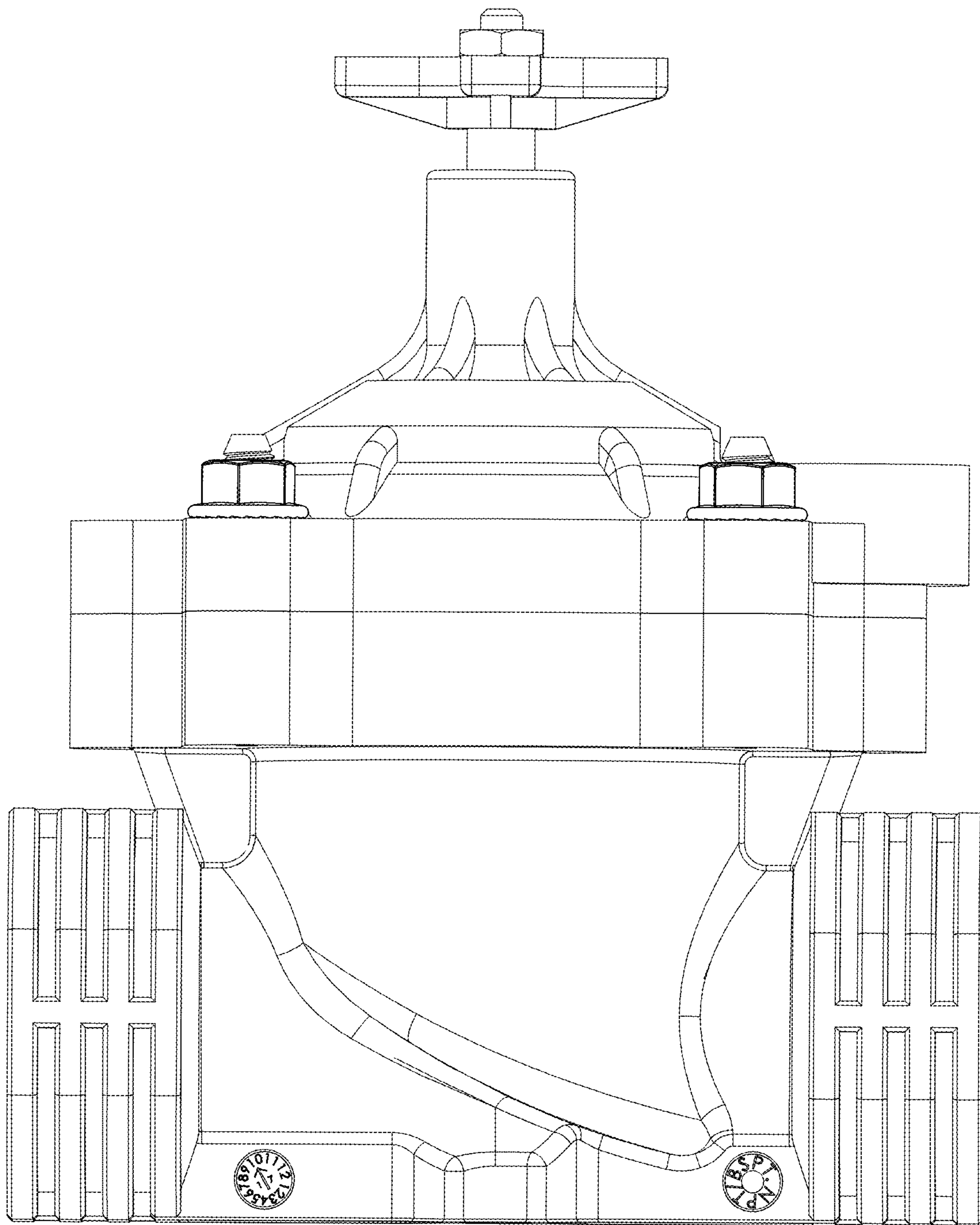


FIG. 3

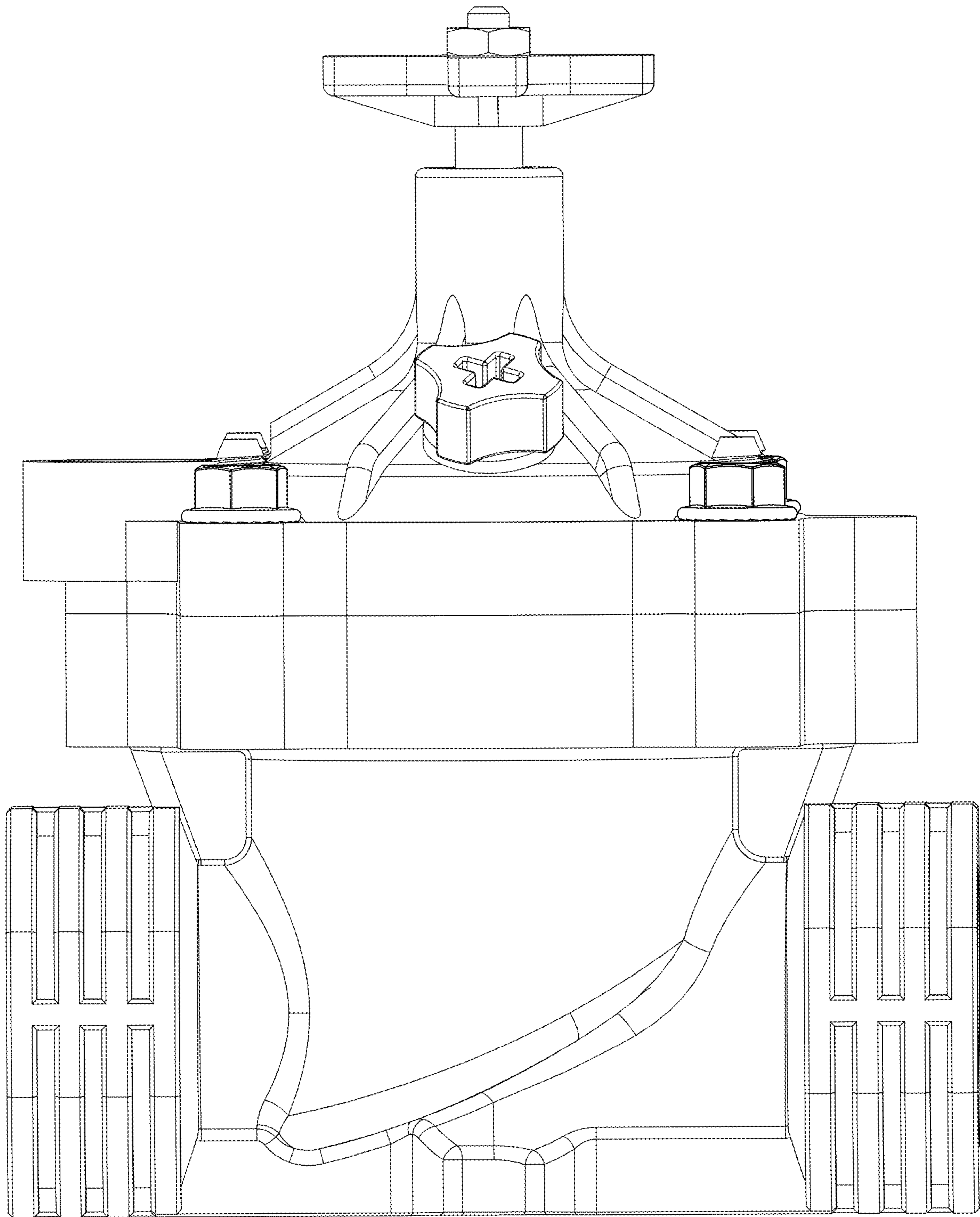


FIG. 4

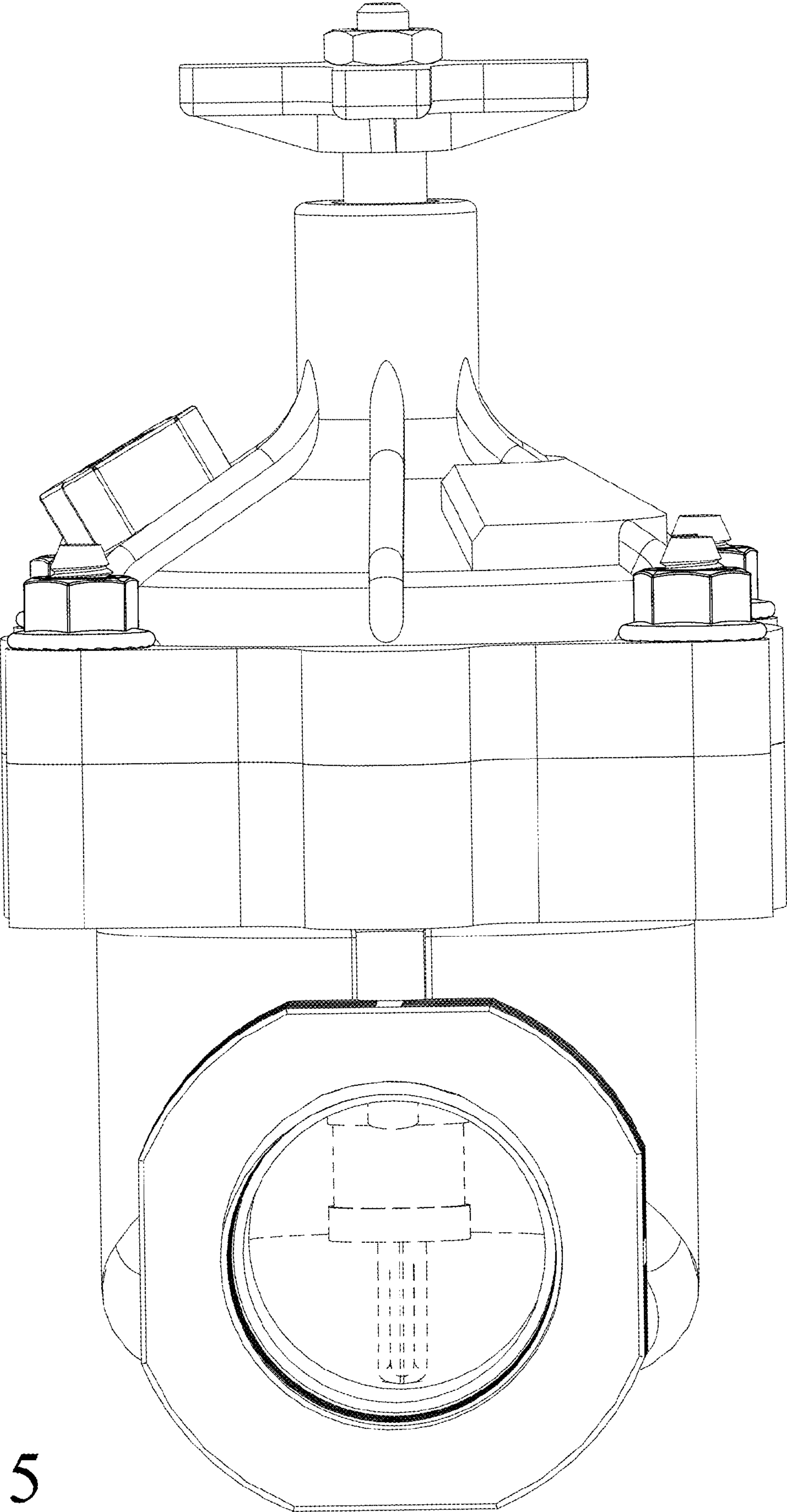


FIG. 5

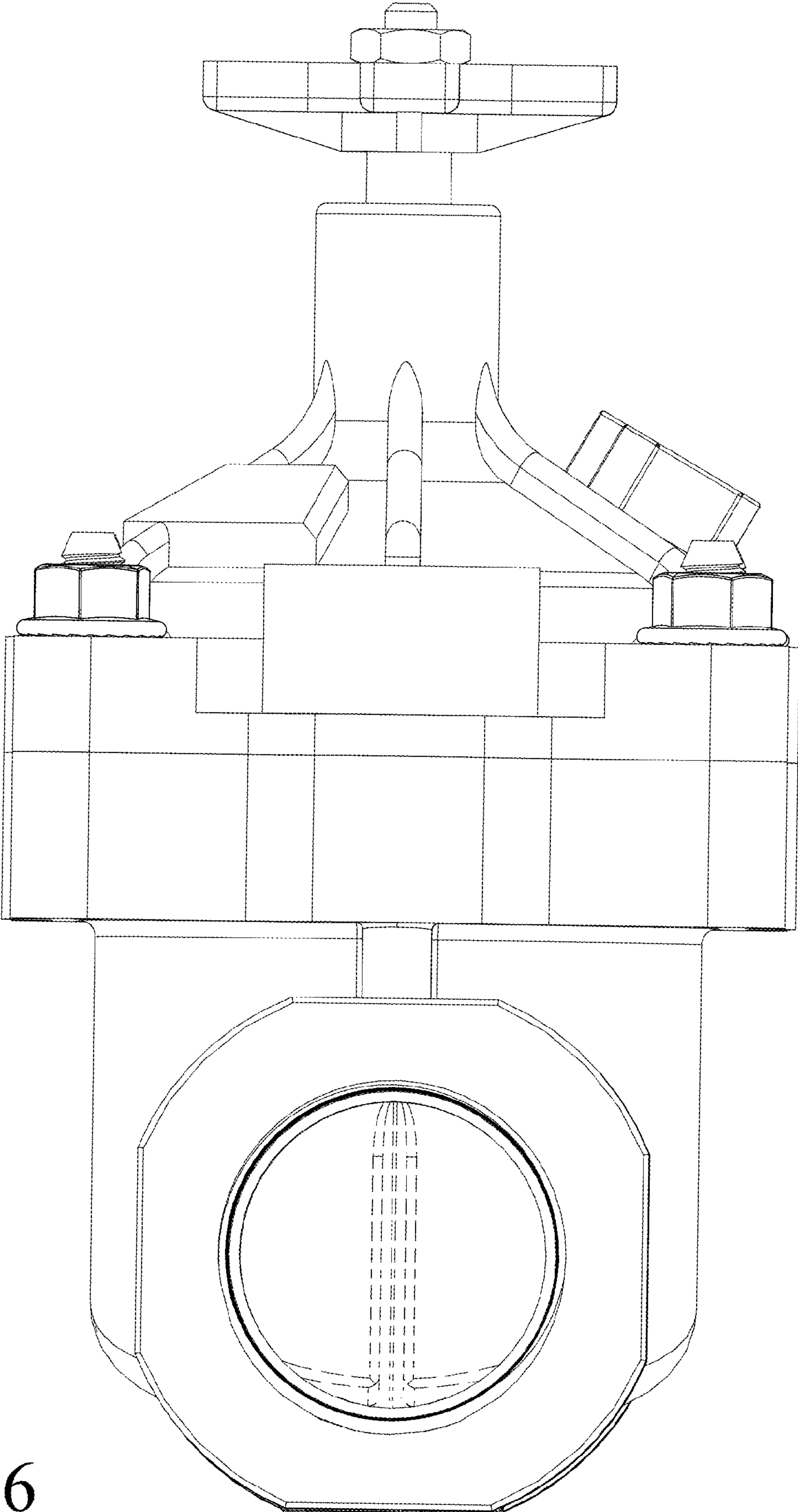


FIG. 6

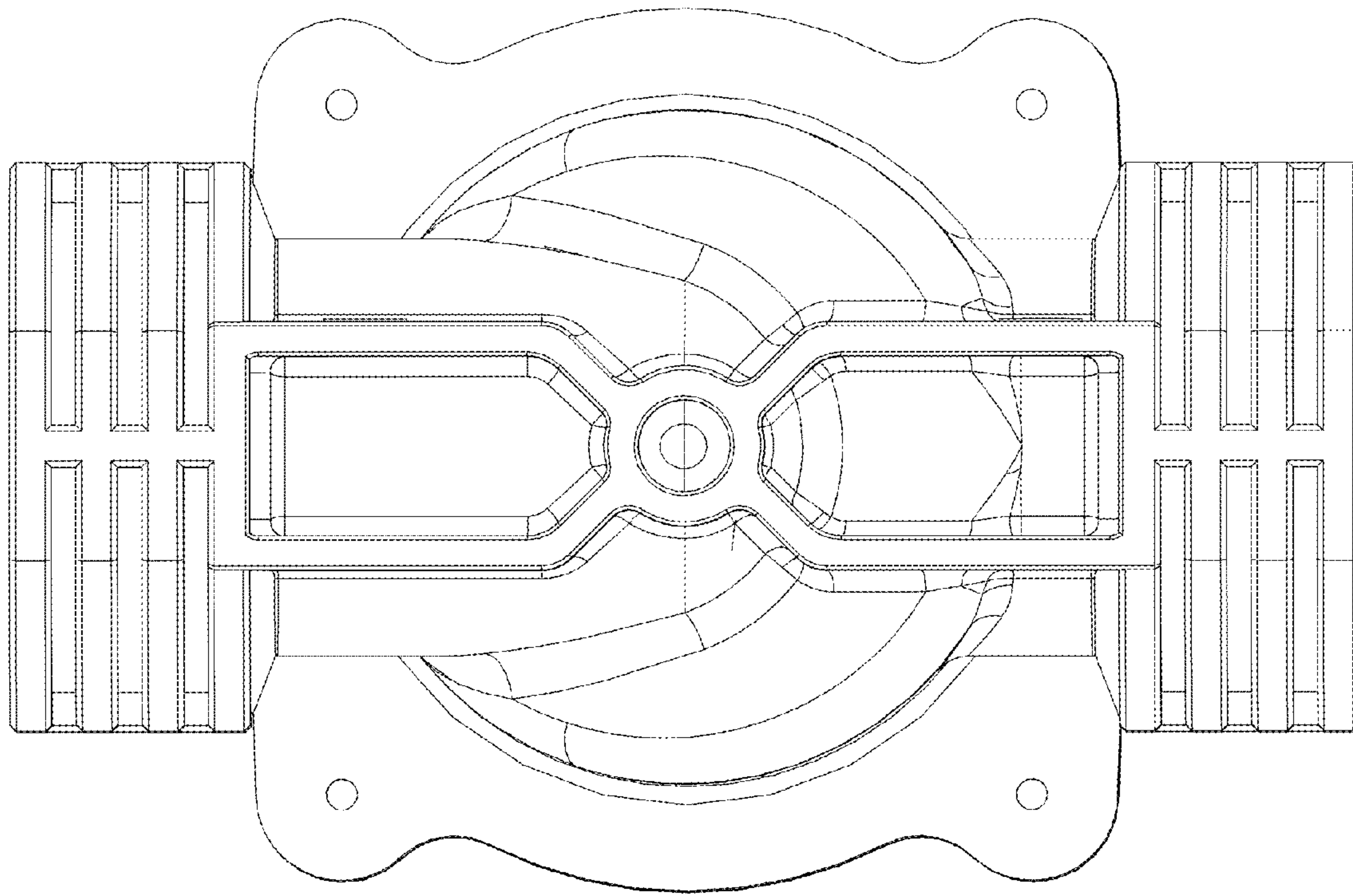


FIG. 7

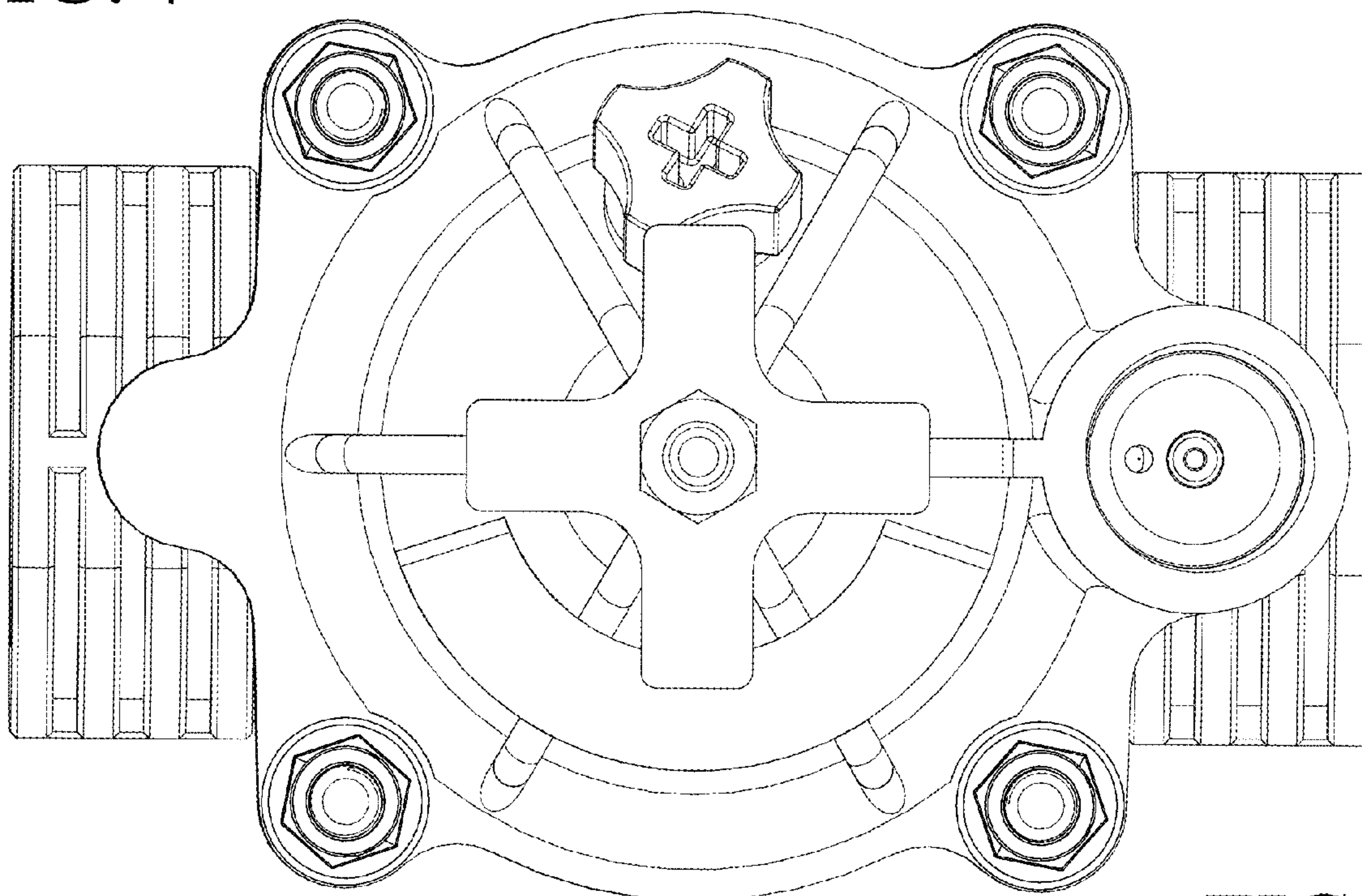


FIG. 8

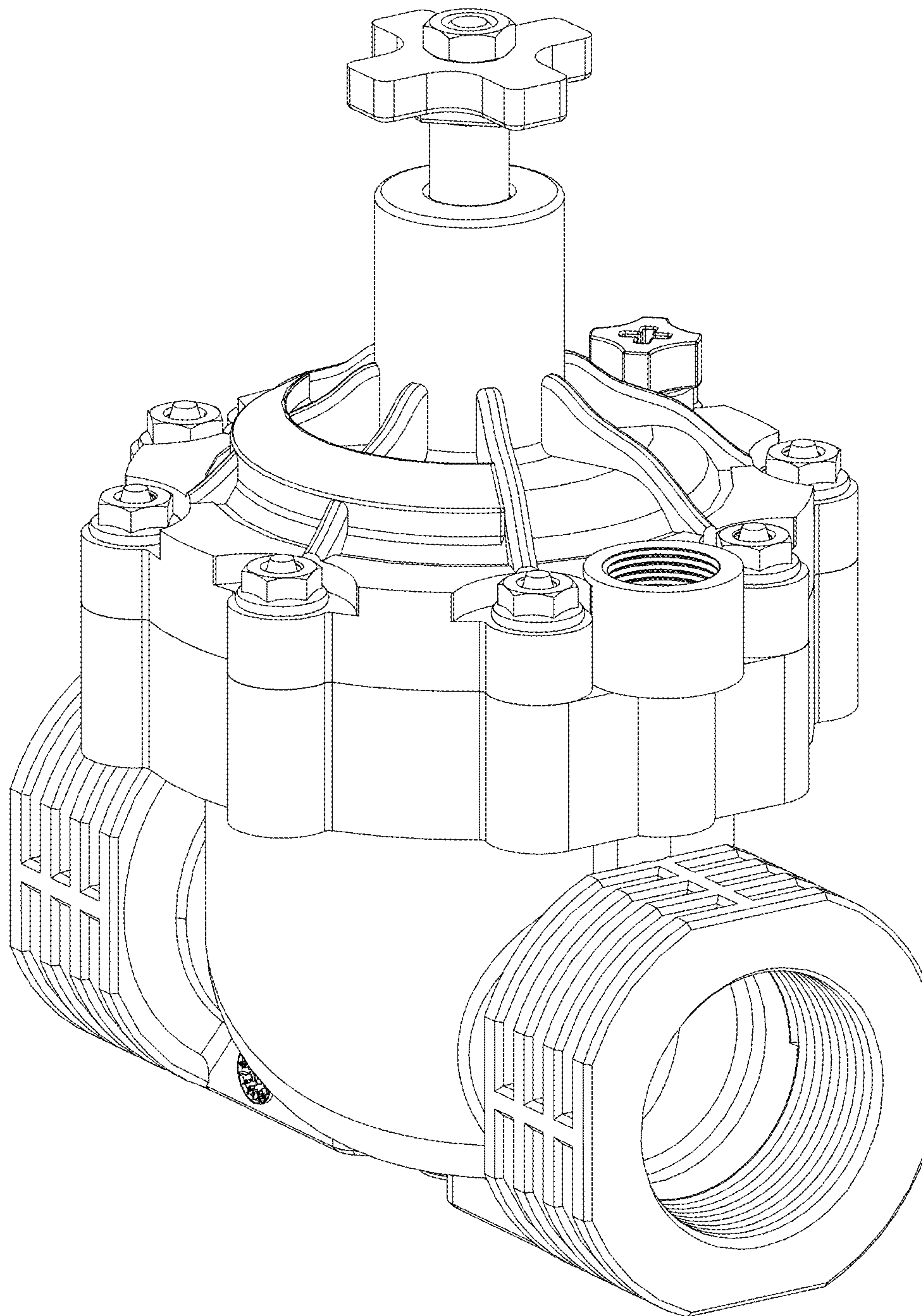


FIG. 9

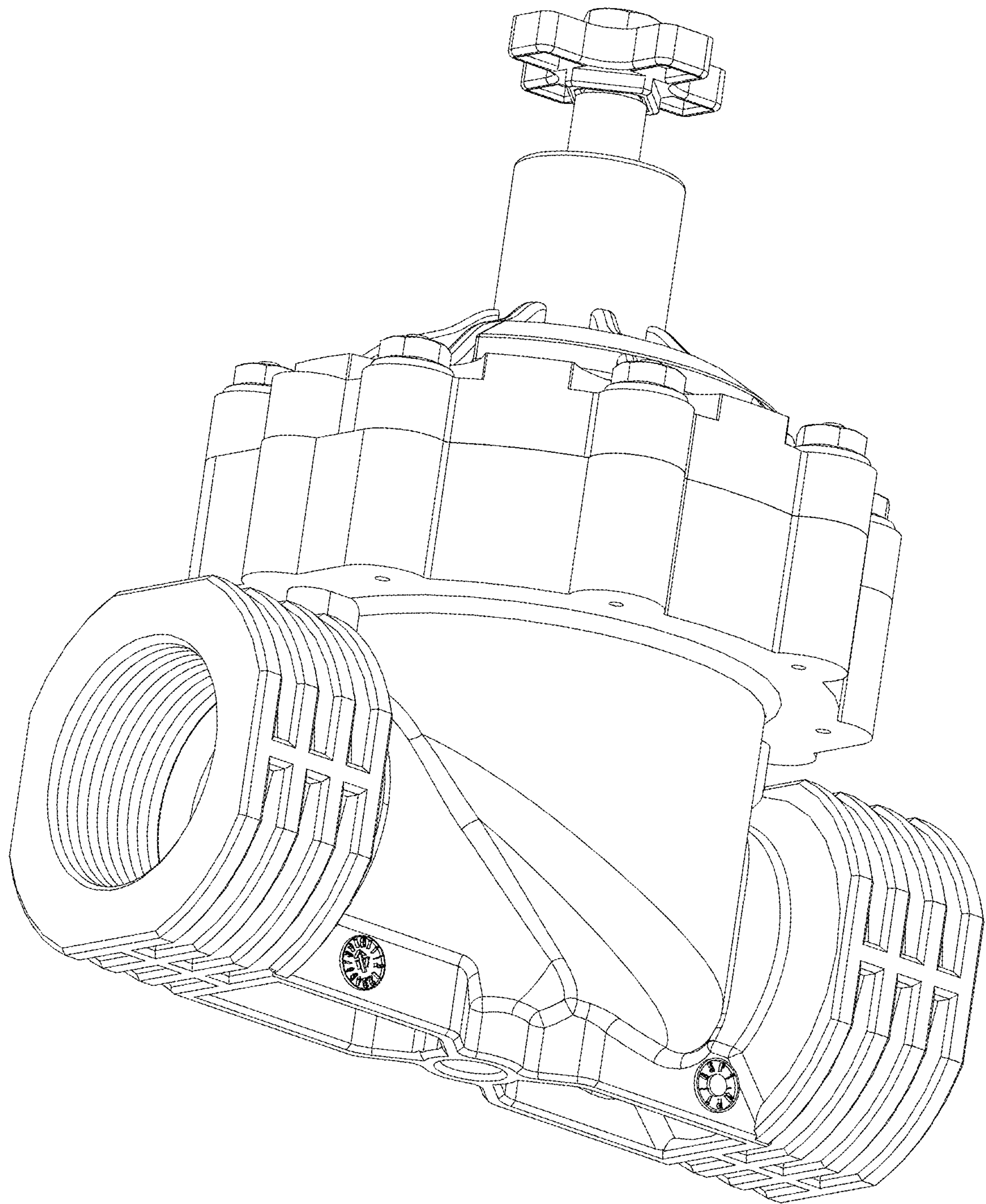


FIG. 10

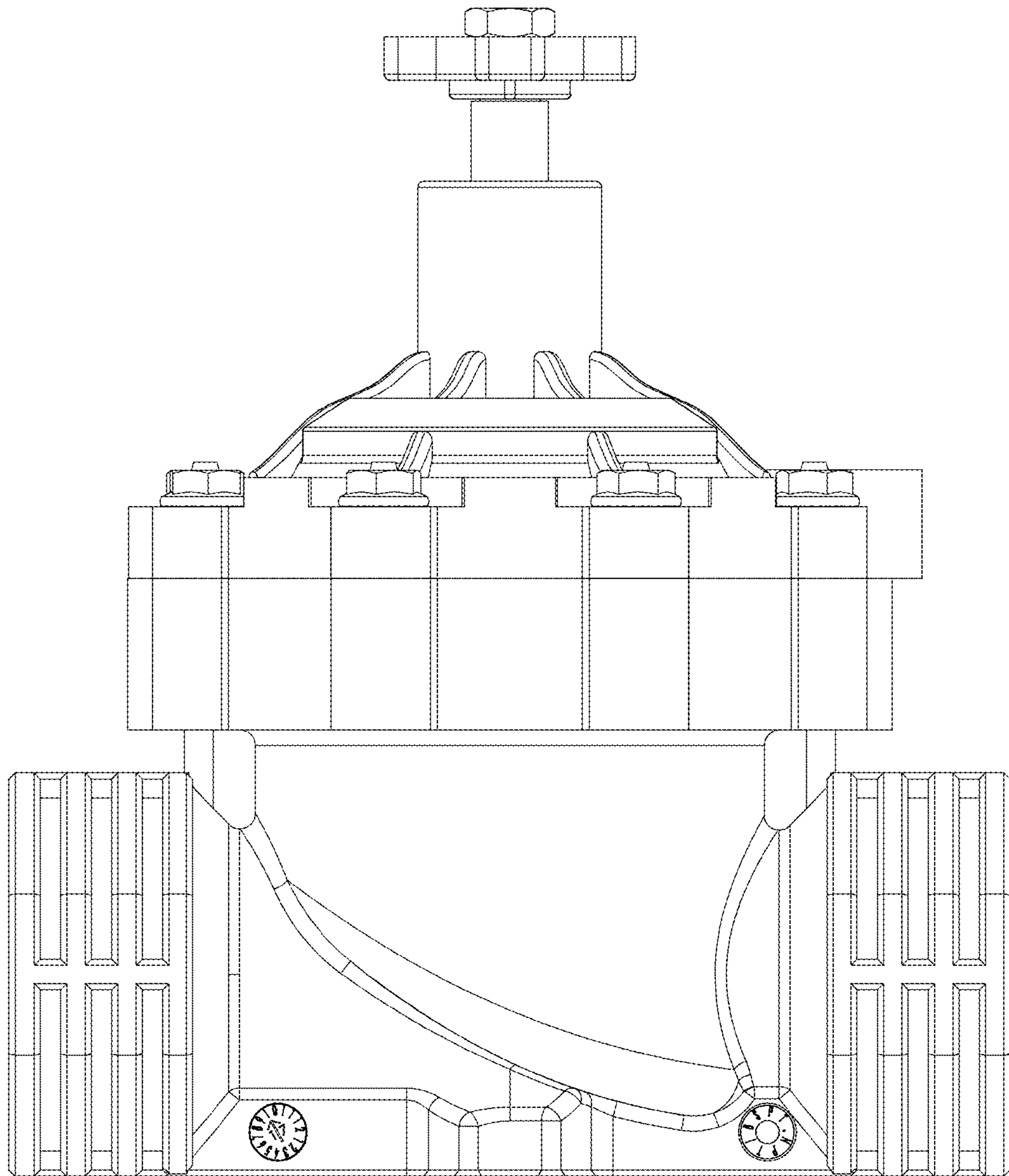


FIG. 11

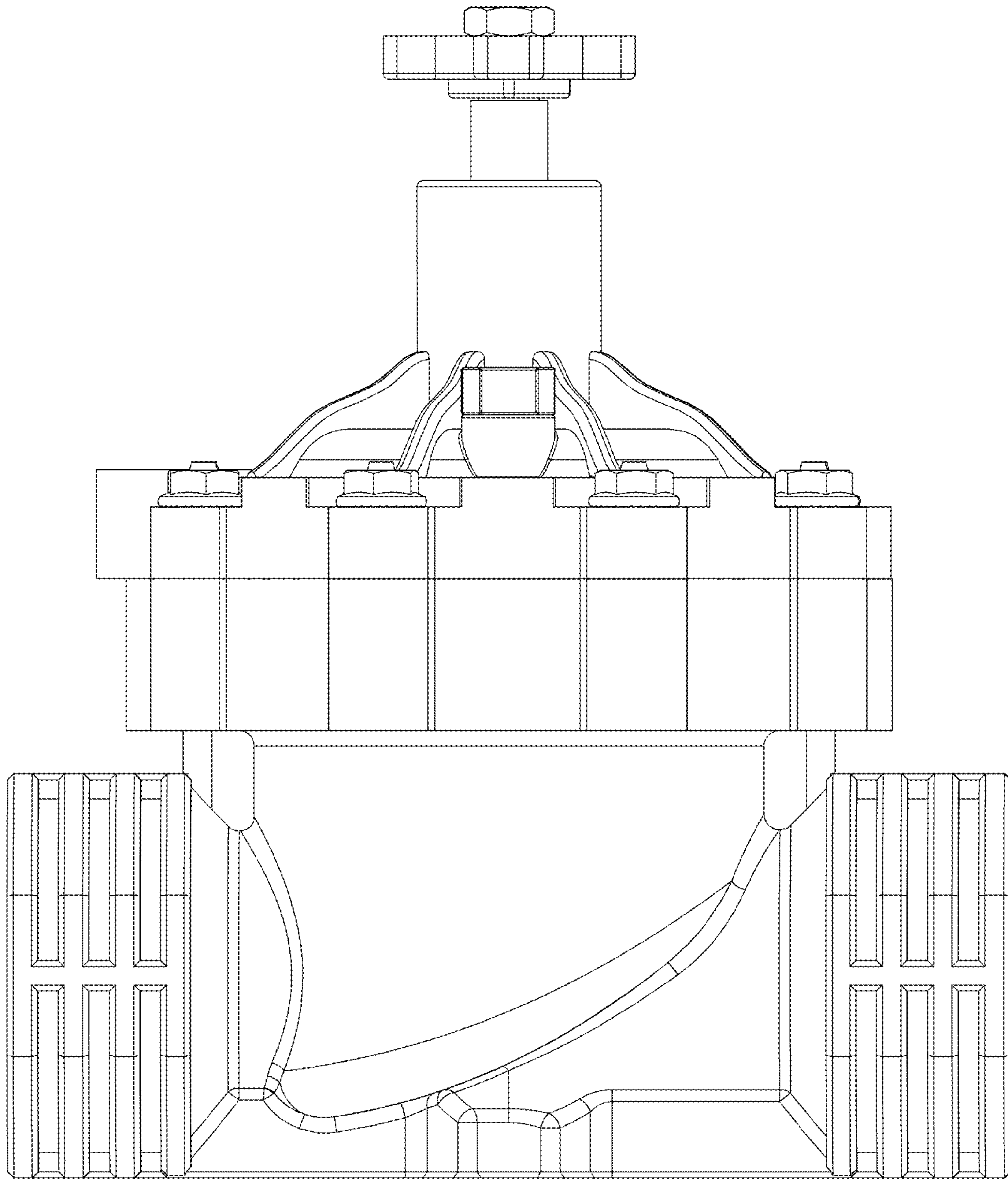


FIG. 12

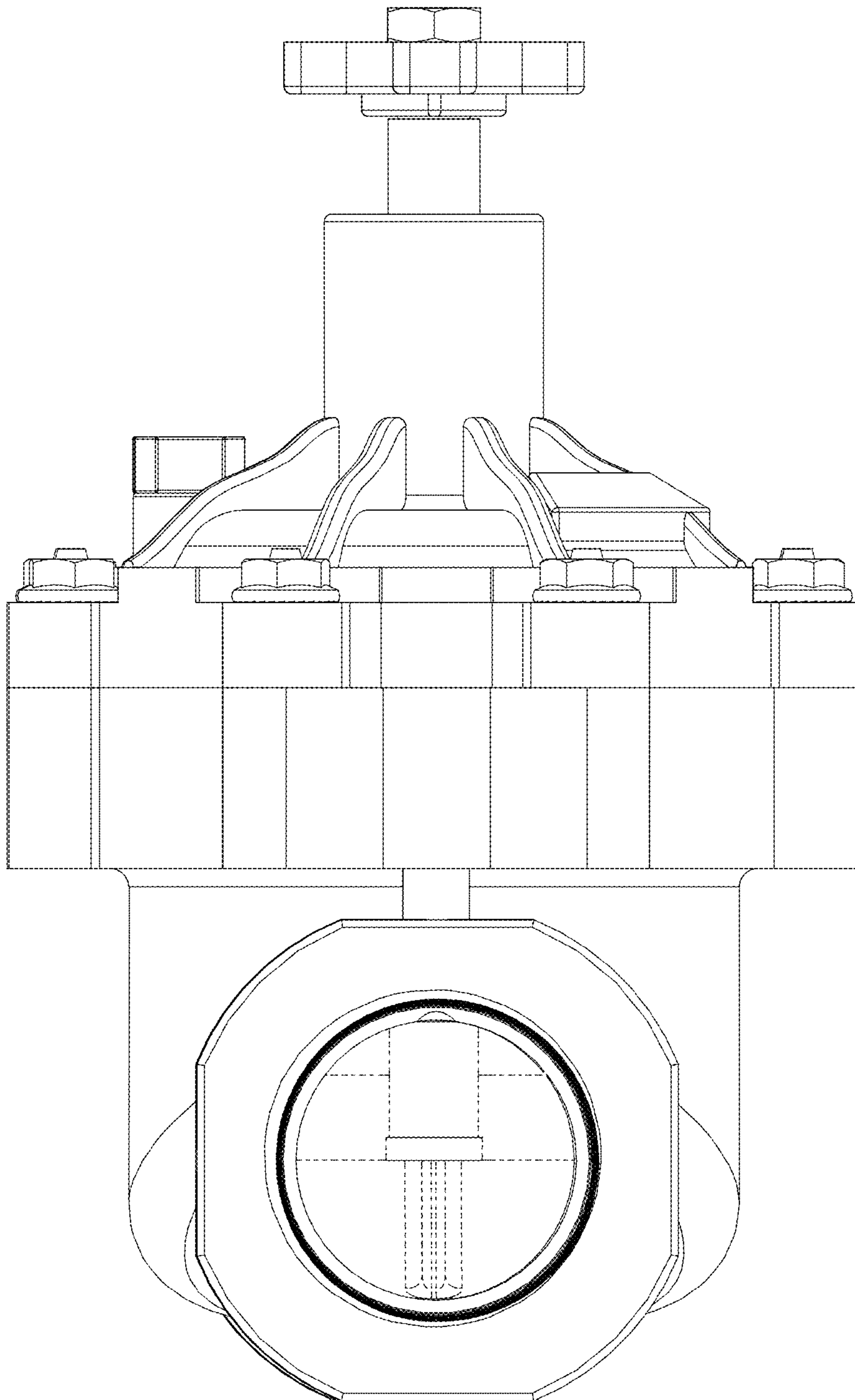


FIG. 13

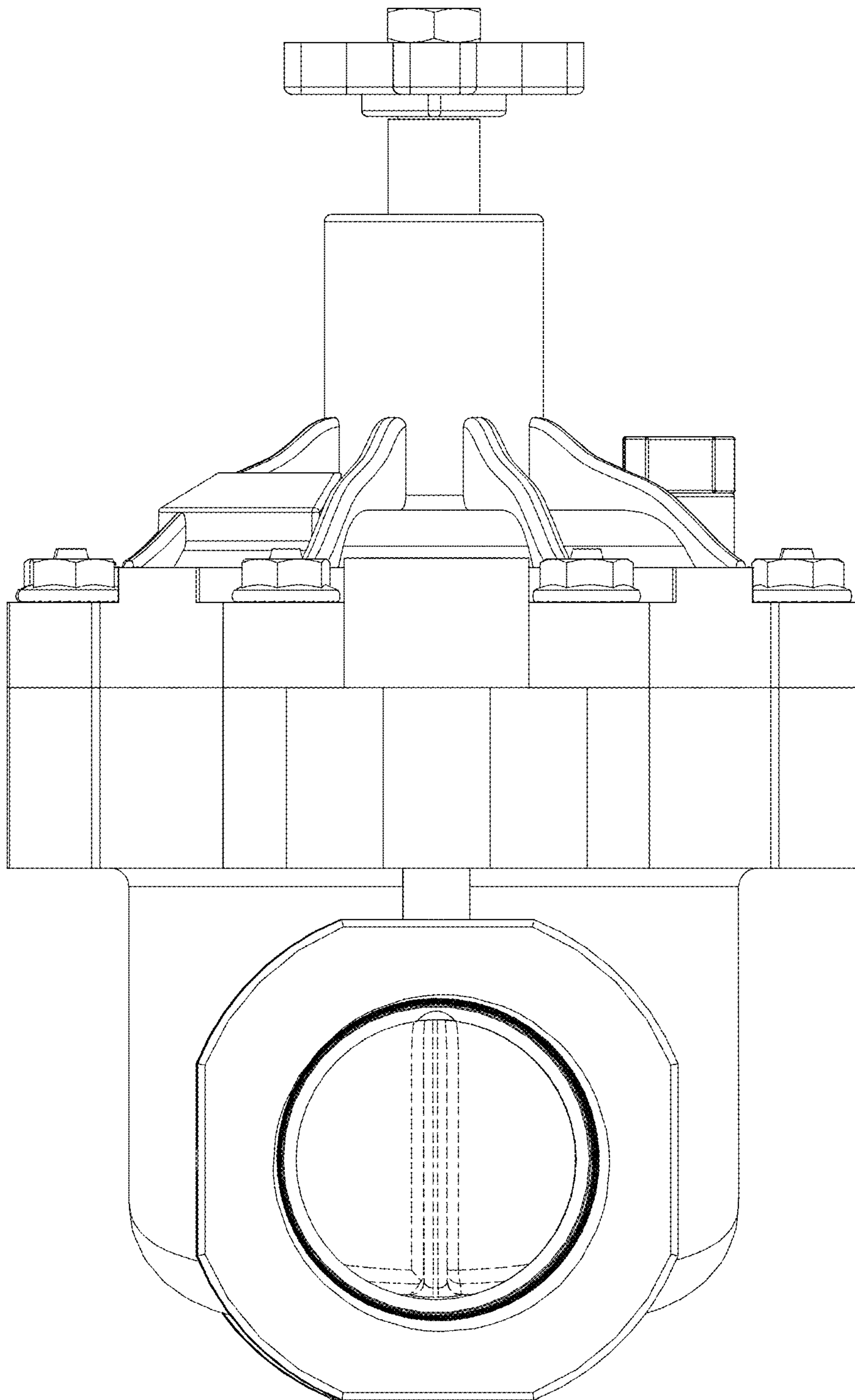


FIG. 14

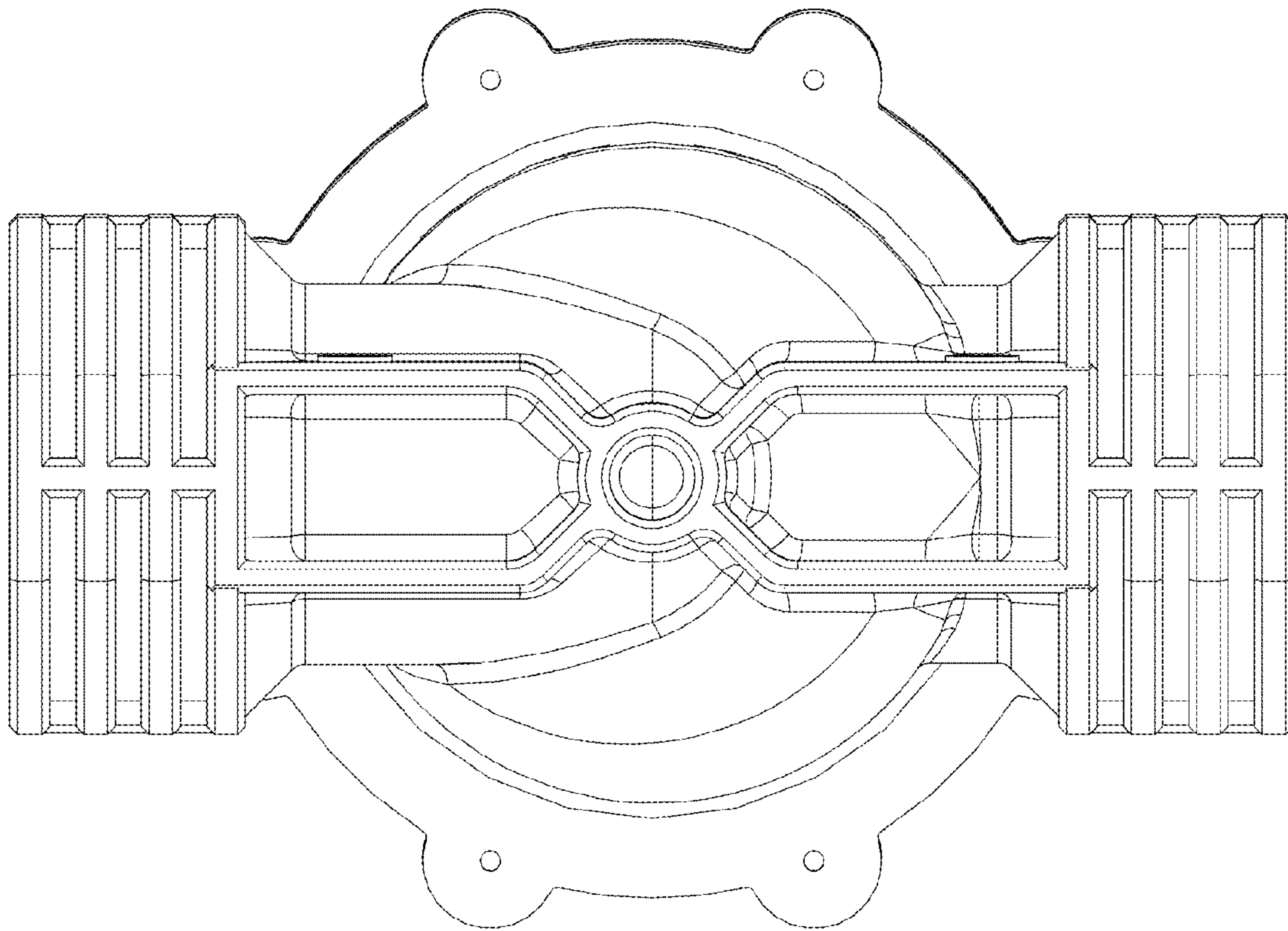


FIG. 15

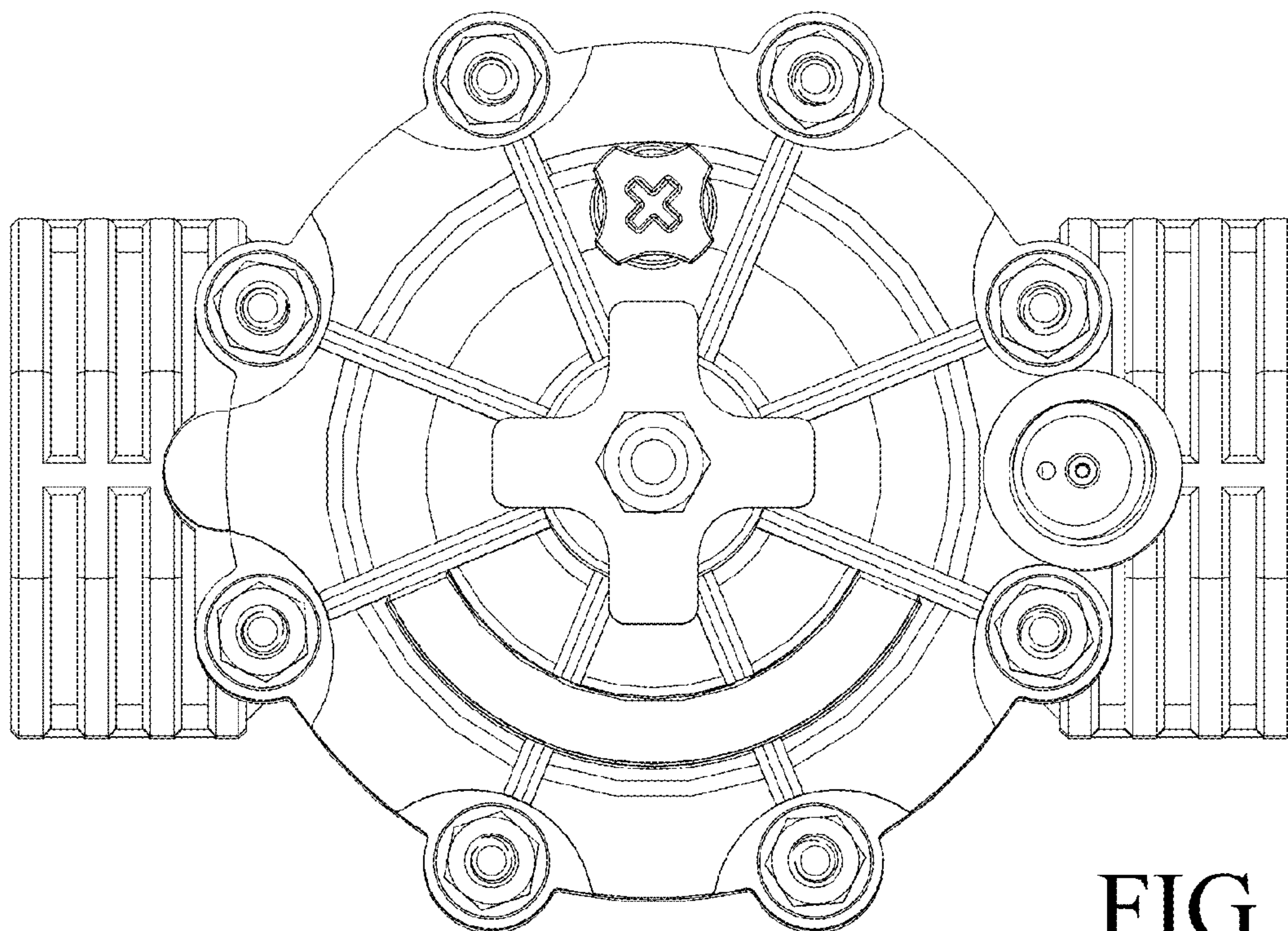


FIG. 16

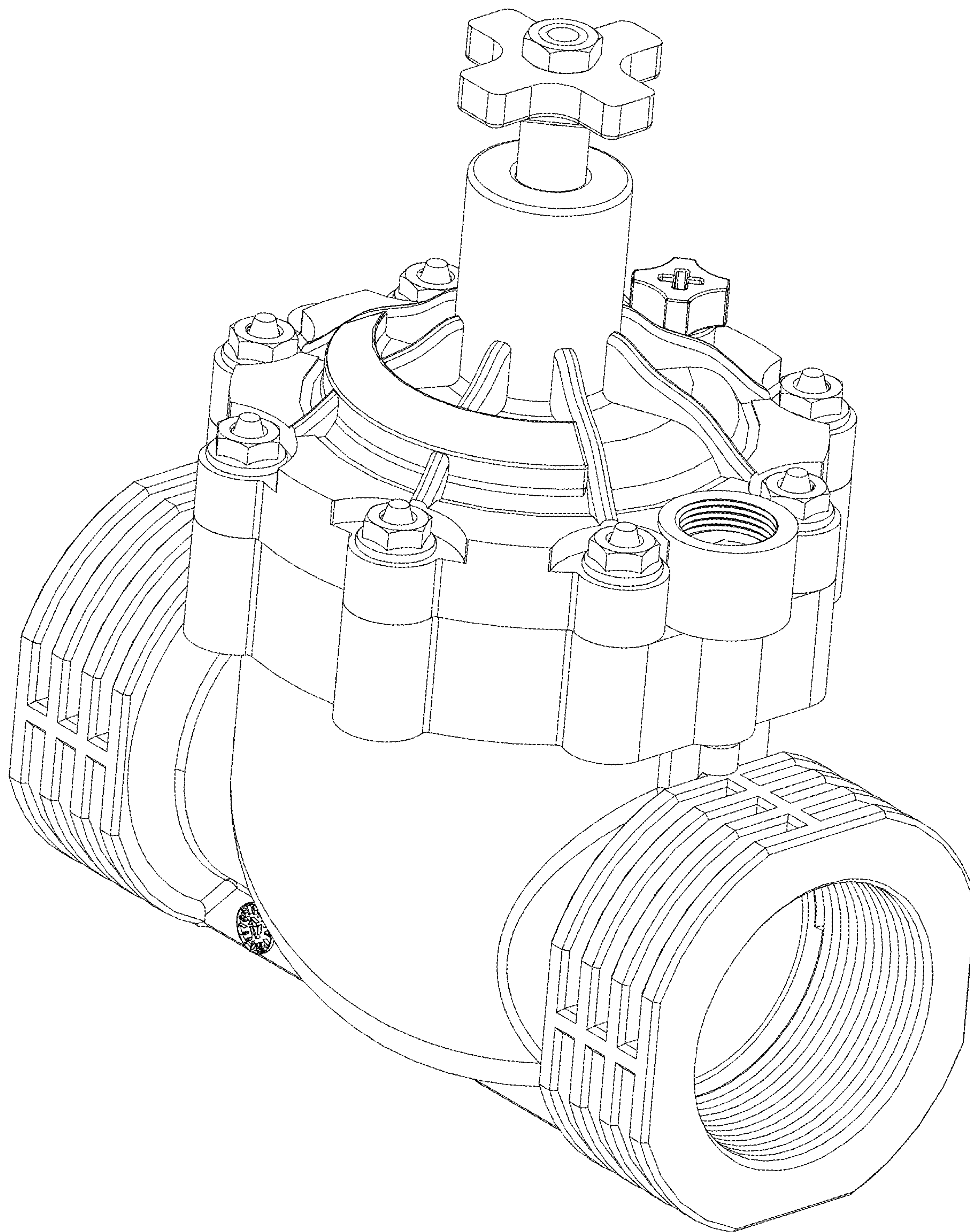


FIG. 17

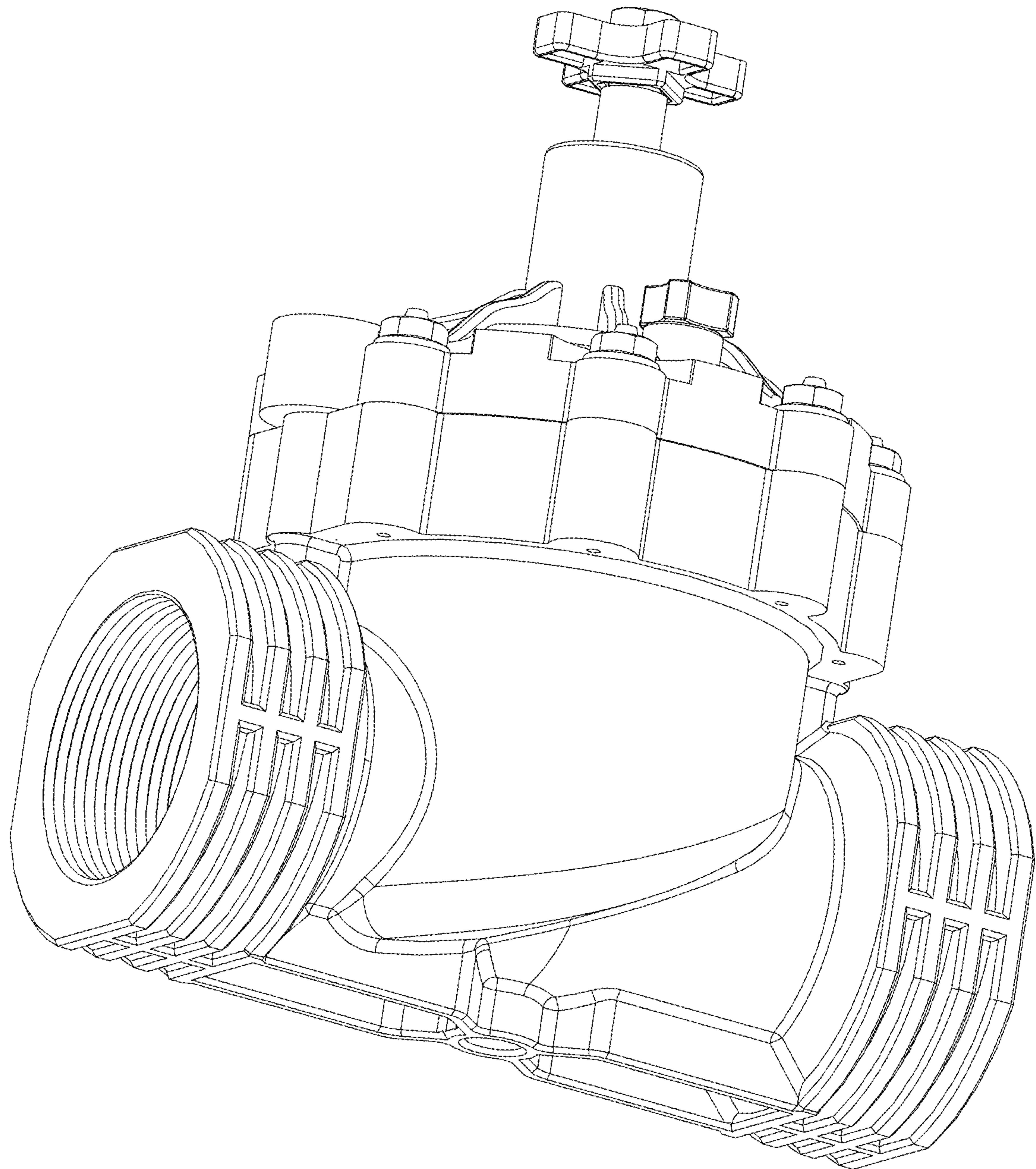


FIG. 18

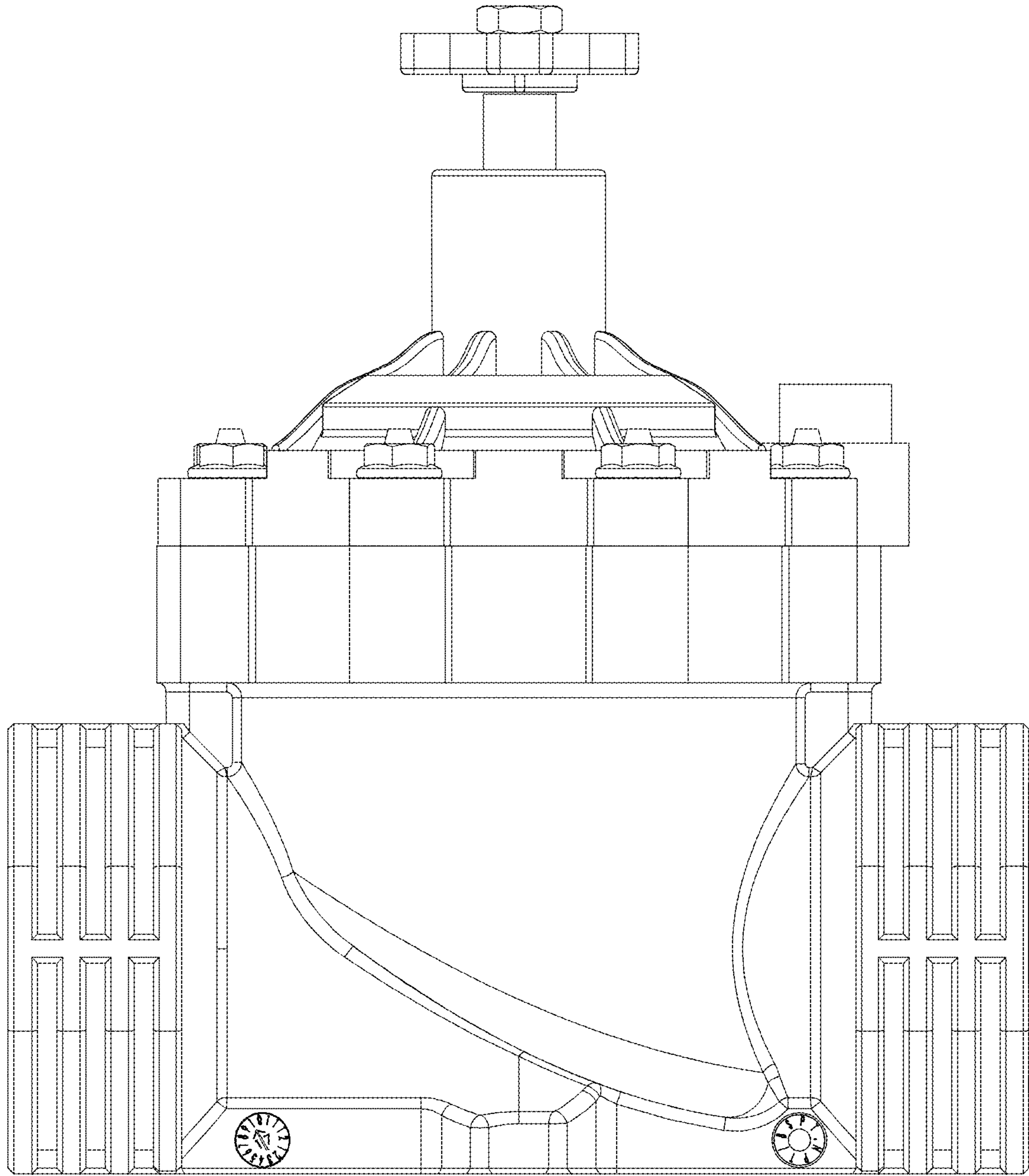


FIG. 19

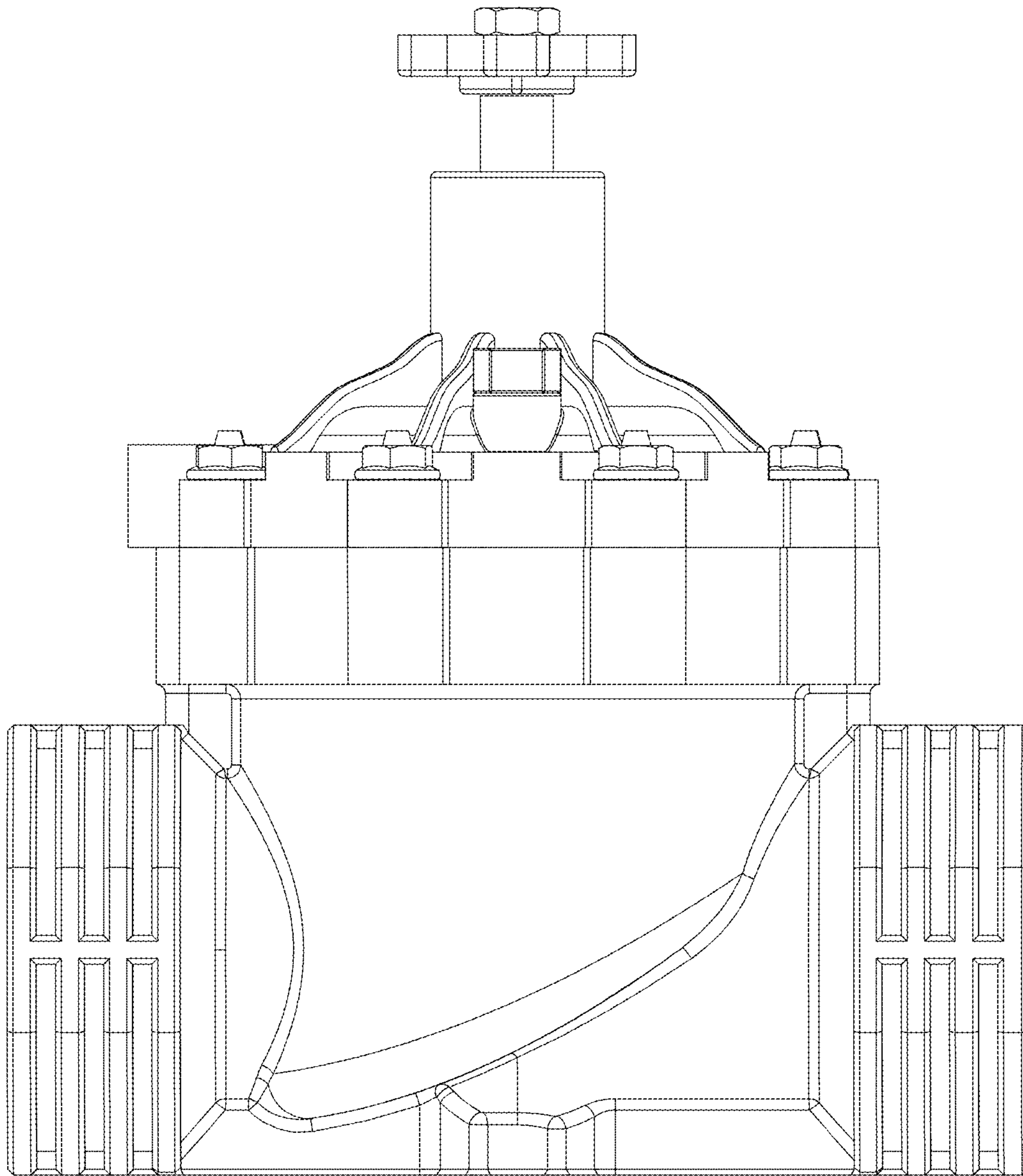


FIG. 20

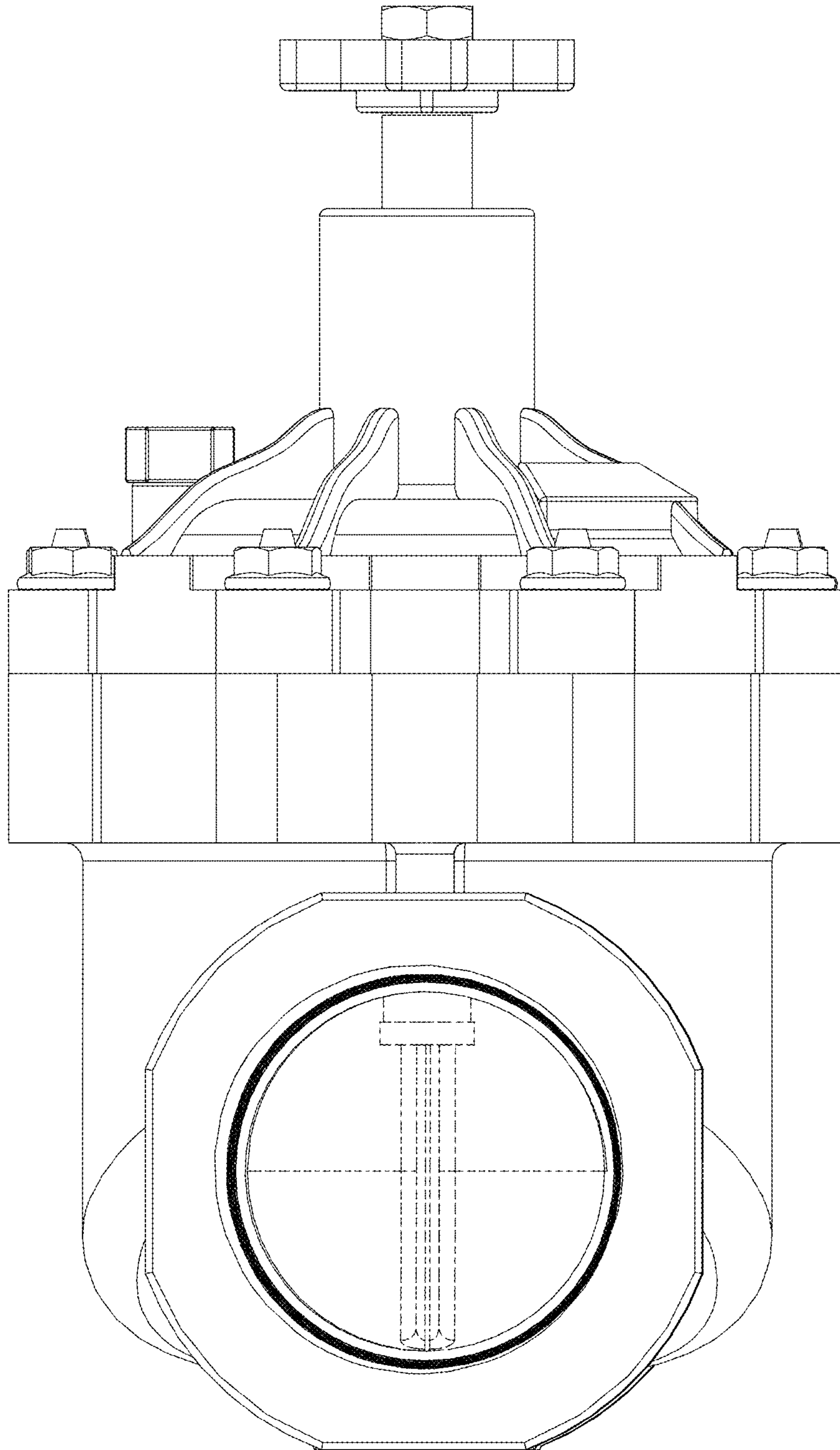


FIG. 21

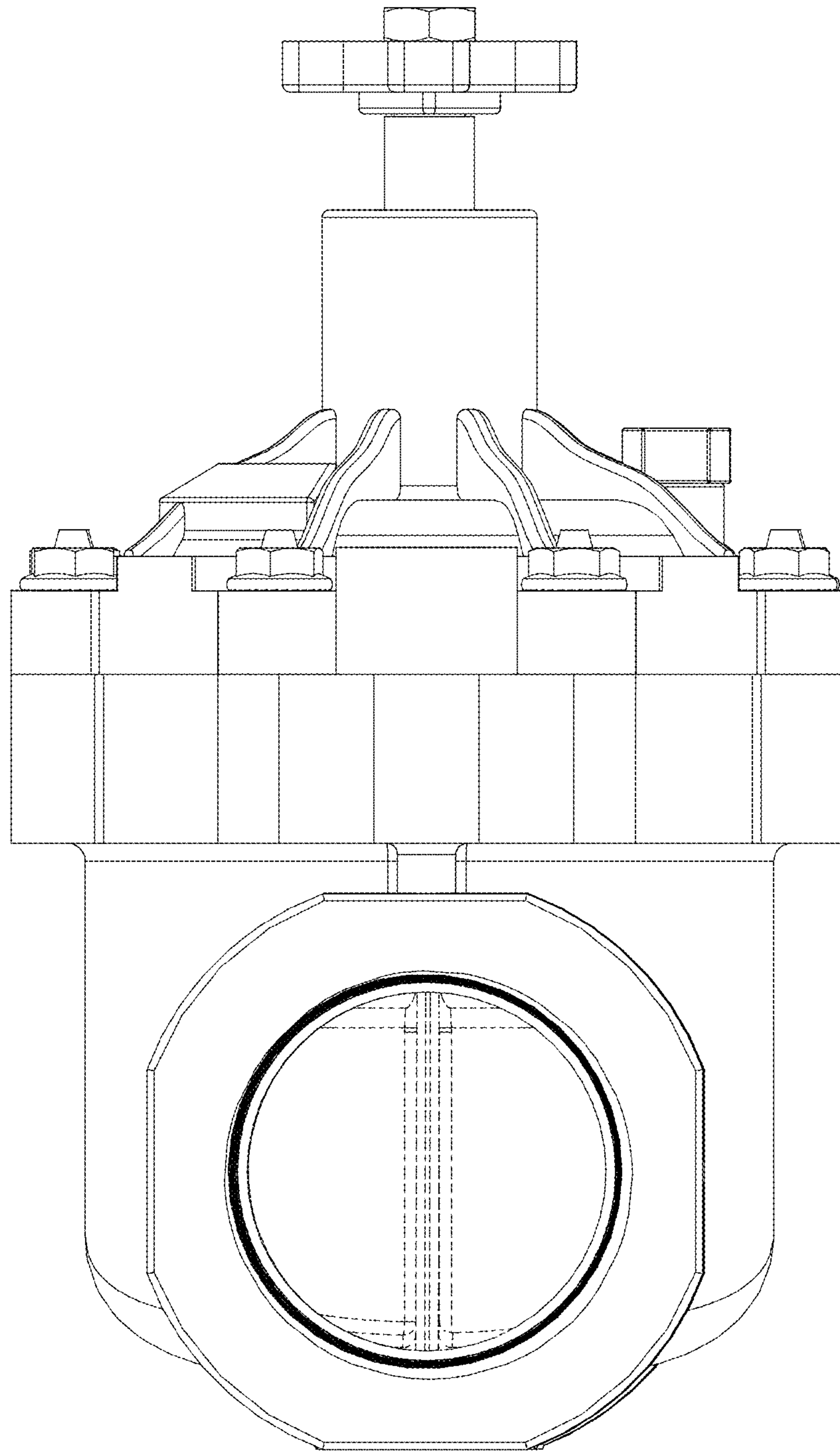


FIG. 22

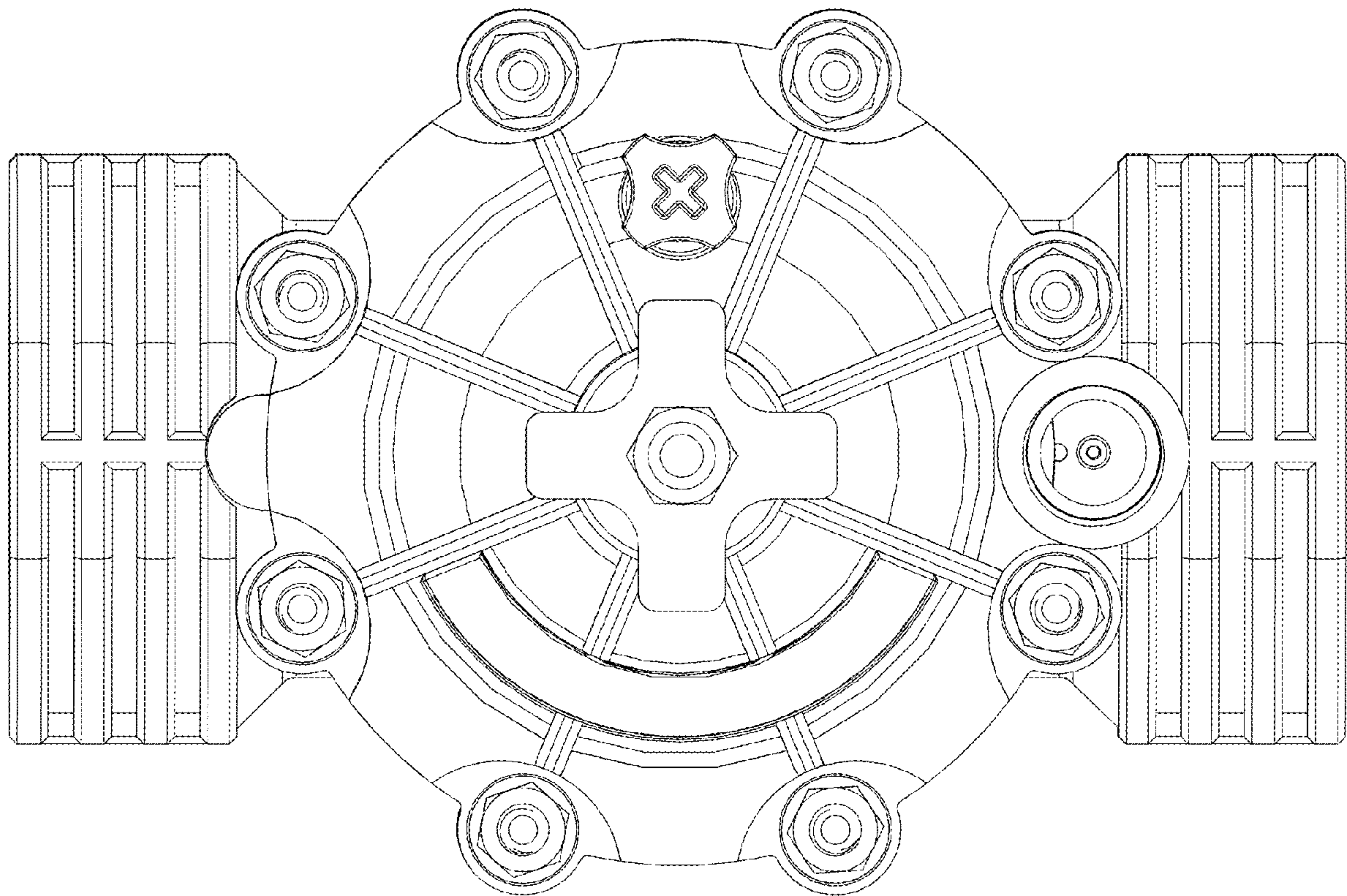


FIG. 23

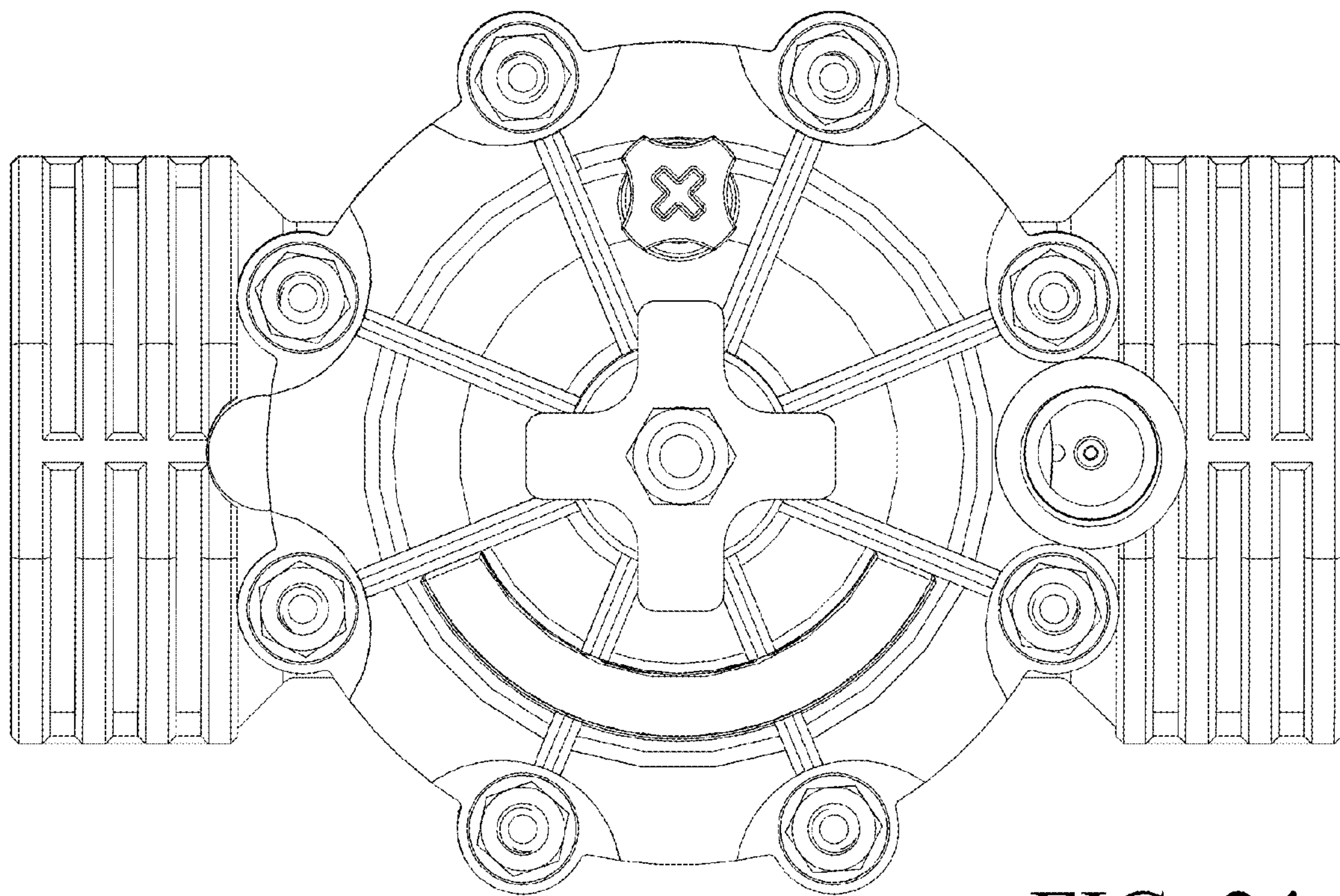


FIG. 24