

US00D967936S

(12) **United States Design Patent** (10) **Patent No.:** **US D967,936 S**  
**Xie** (45) **Date of Patent:** **\*\* Oct. 25, 2022**

(54) **FAUCET**

\* cited by examiner

(71) Applicant: **JIANGMEN DONGRUI TECHNOLOGY CO., LTD.**, Kaiping (CN)

*Primary Examiner* — Robert A Delehanty

(72) Inventor: **Xiangqi Xie**, Putian (CN)

(57) **CLAIM**

The ornamental design for a faucet, as shown and described.

(73) Assignee: **JIANGMEN DONGRUI TECHNOLOGY CO., LTD.**, Kaiping (CN)

**DESCRIPTION**

(\*\*) Term: **15 Years**

FIG. 1 is a perspective view of a first embodiment of a faucet showing my new design;

(21) Appl. No.: **29/824,232**

FIG. 2 is another perspective view thereof;

(22) Filed: **Jan. 23, 2022**

FIG. 3 is a front elevational view thereof;

(51) **LOC (13) Cl.** ..... **23-01**

FIG. 4 is a rear elevational view thereof;

(52) **U.S. Cl.**

FIG. 5 is a left side elevational view thereof;

USPC ..... **D23/242**

FIG. 6 is a right side elevational view thereof;

(58) **Field of Classification Search**

FIG. 7 is a top plan view thereof;

USPC ..... D23/238–243, 249–250, 252, 254–255, D23/257, 213; D8/307–308, 352–353

FIG. 8 is a bottom plan view thereof;

See application file for complete search history.

FIG. 9 is an enlarged view of portion 9 shown in FIG. 2; FIG. 10 is a perspective view of a second embodiment of the faucet;

(56) **References Cited**

FIG. 11 is another perspective view thereof;

**U.S. PATENT DOCUMENTS**

FIG. 12 is a front elevational view thereof;

D433,485 S	*	11/2000	Lord	.....	D23/249
D537,916 S	*	3/2007	Buttgen	.....	D23/213
D569,486 S	*	5/2008	Fritz	.....	D23/241
D641,829 S	*	7/2011	Angelov	.....	D23/213
D655,790 S	*	3/2012	Kwok	.....	D23/252
D680,193 S	*	4/2013	Kwok	.....	D23/242
D680,626 S	*	4/2013	Kwok	.....	D23/242
D791,280 S	*	7/2017	Fritz	.....	D23/242
D855,769 S		8/2019	Eads		
D874,614 S		2/2020	Lazarini		
D938,553 S	*	12/2021	He	.....	D23/242

FIG. 13 is a rear elevational view thereof;

FIG. 14 is a left side elevational view thereof;

FIG. 15 is a right side elevational view thereof;

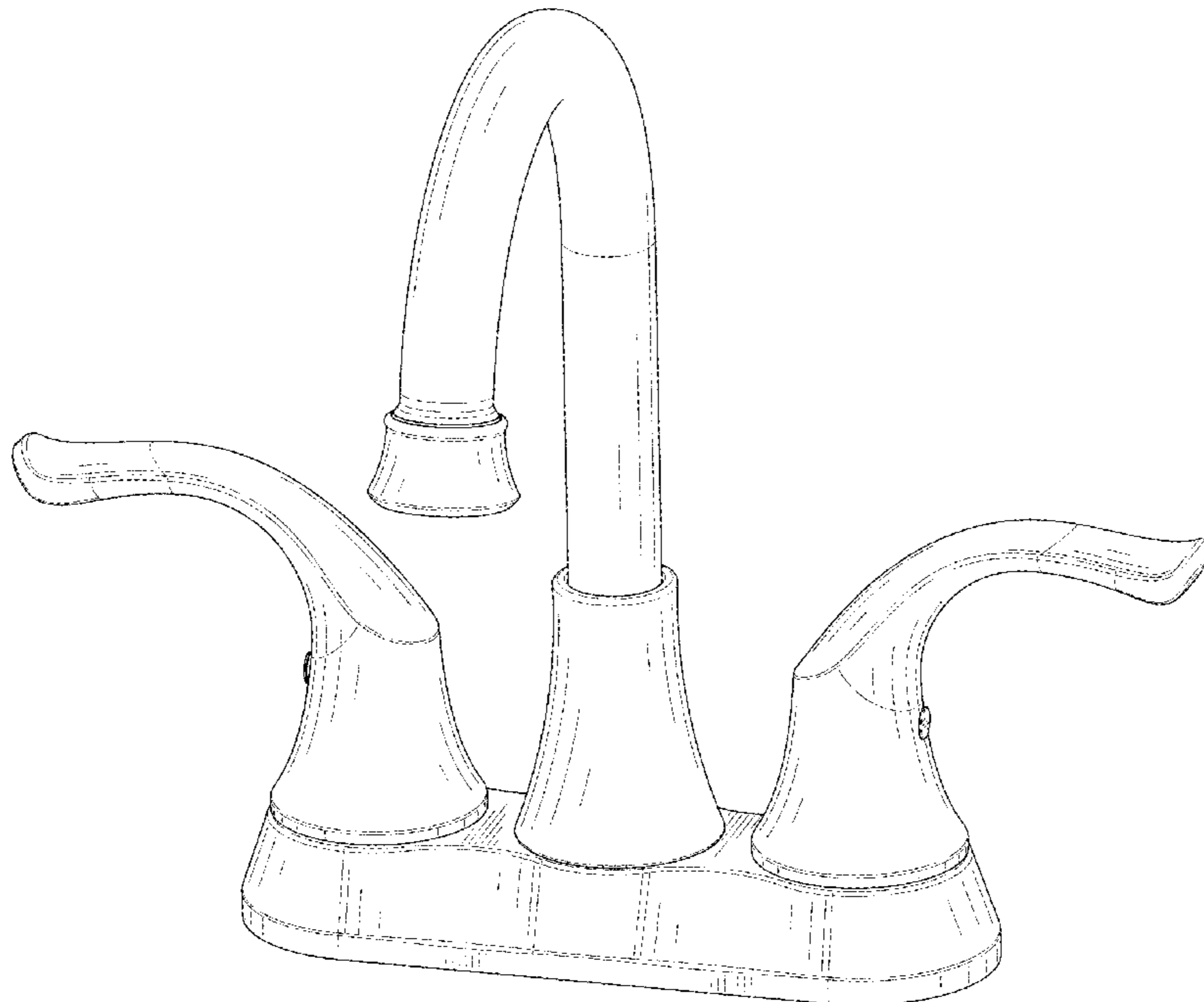
FIG. 16 is a top plan view thereof;

FIG. 17 is a bottom plan view thereof; and,

FIG. 18 is an enlarged view of portion 18 shown in FIG. 11.

The short thick evenly spaced broken lines in the drawings depict stitching and form no part of the claimed design. The long thin evenly spaced broken lines in the drawings depict portions of faucet and form no part of the claimed design.

**1 Claim, 18 Drawing Sheets**



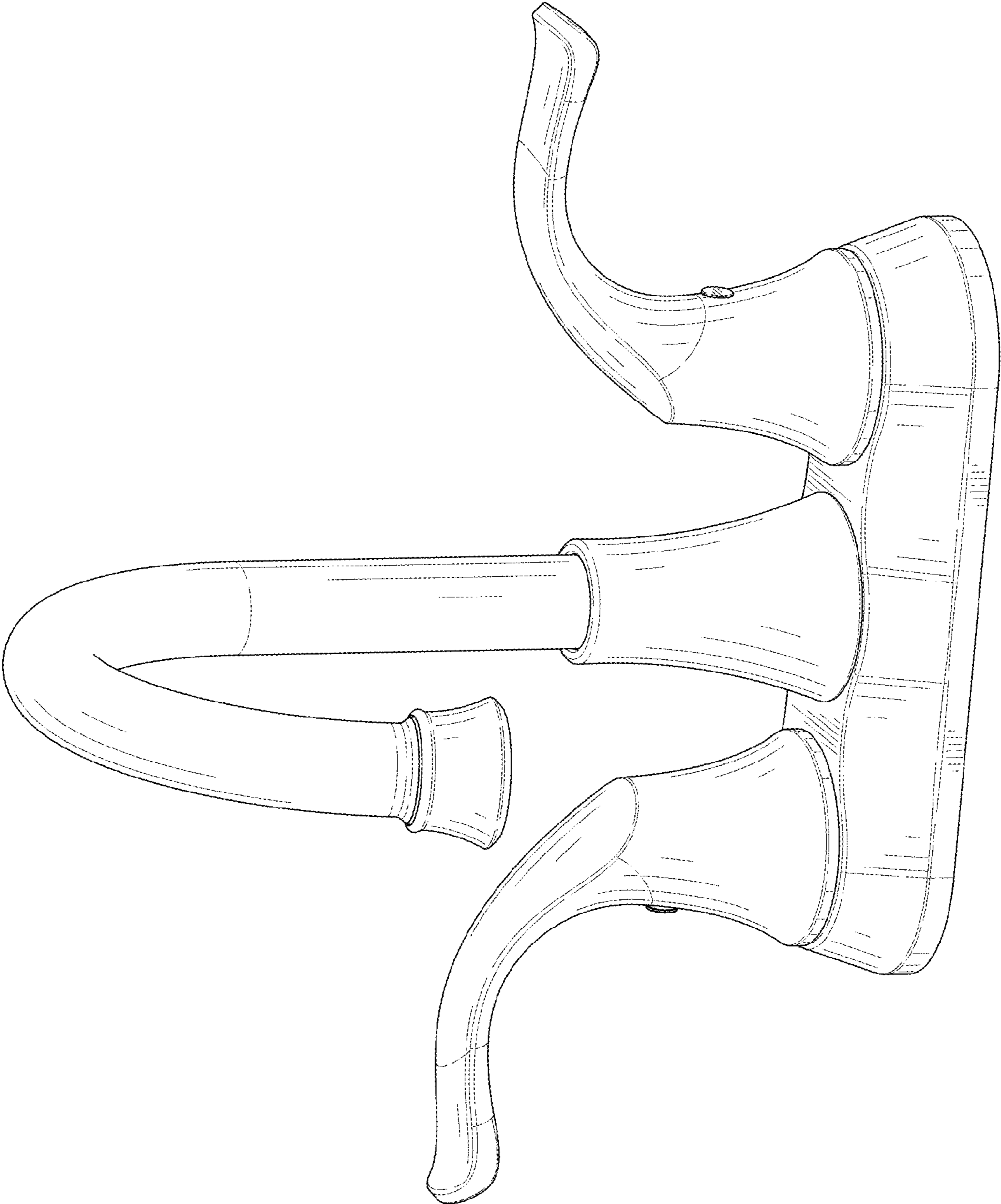


FIG. 1

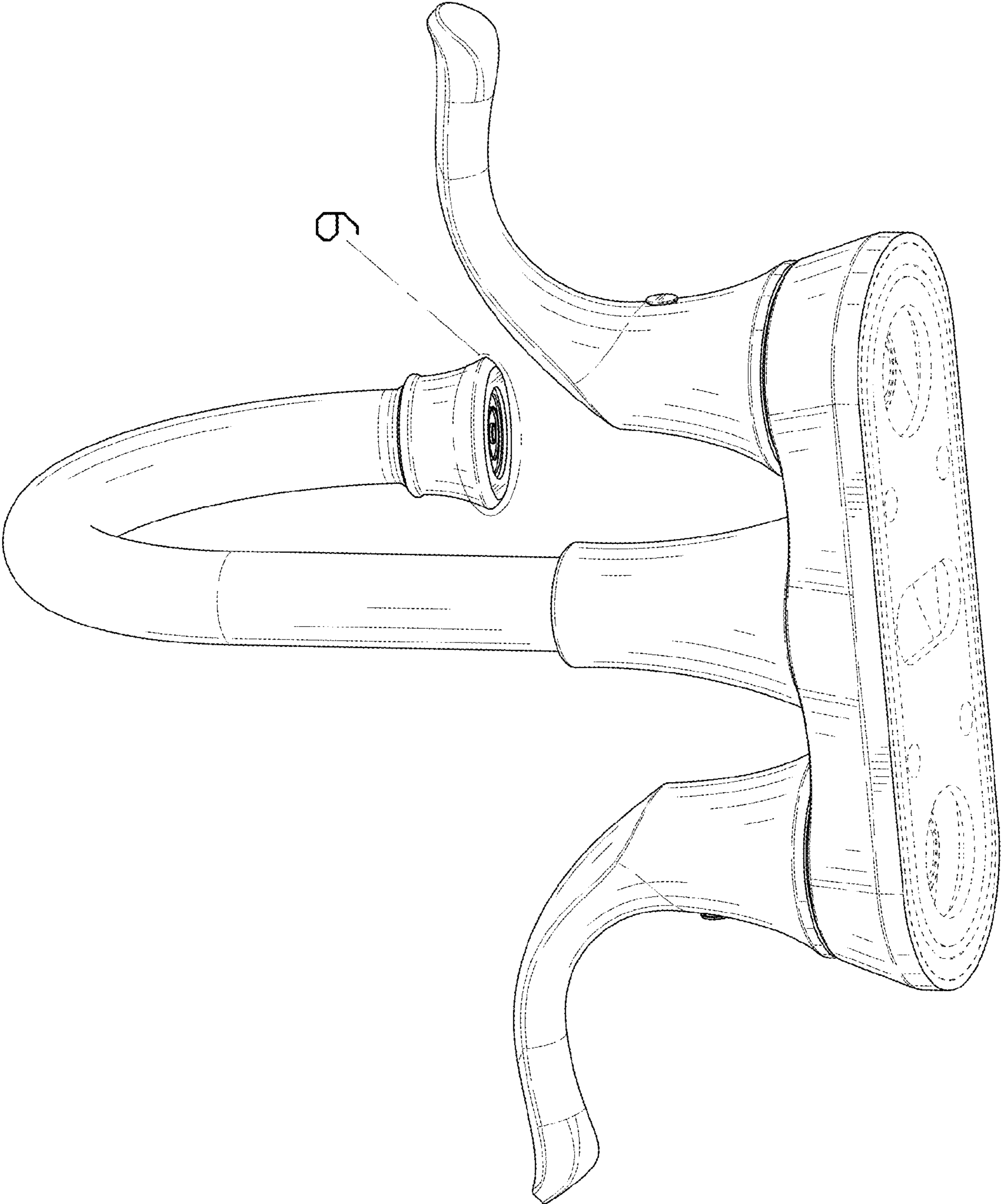


FIG. 2

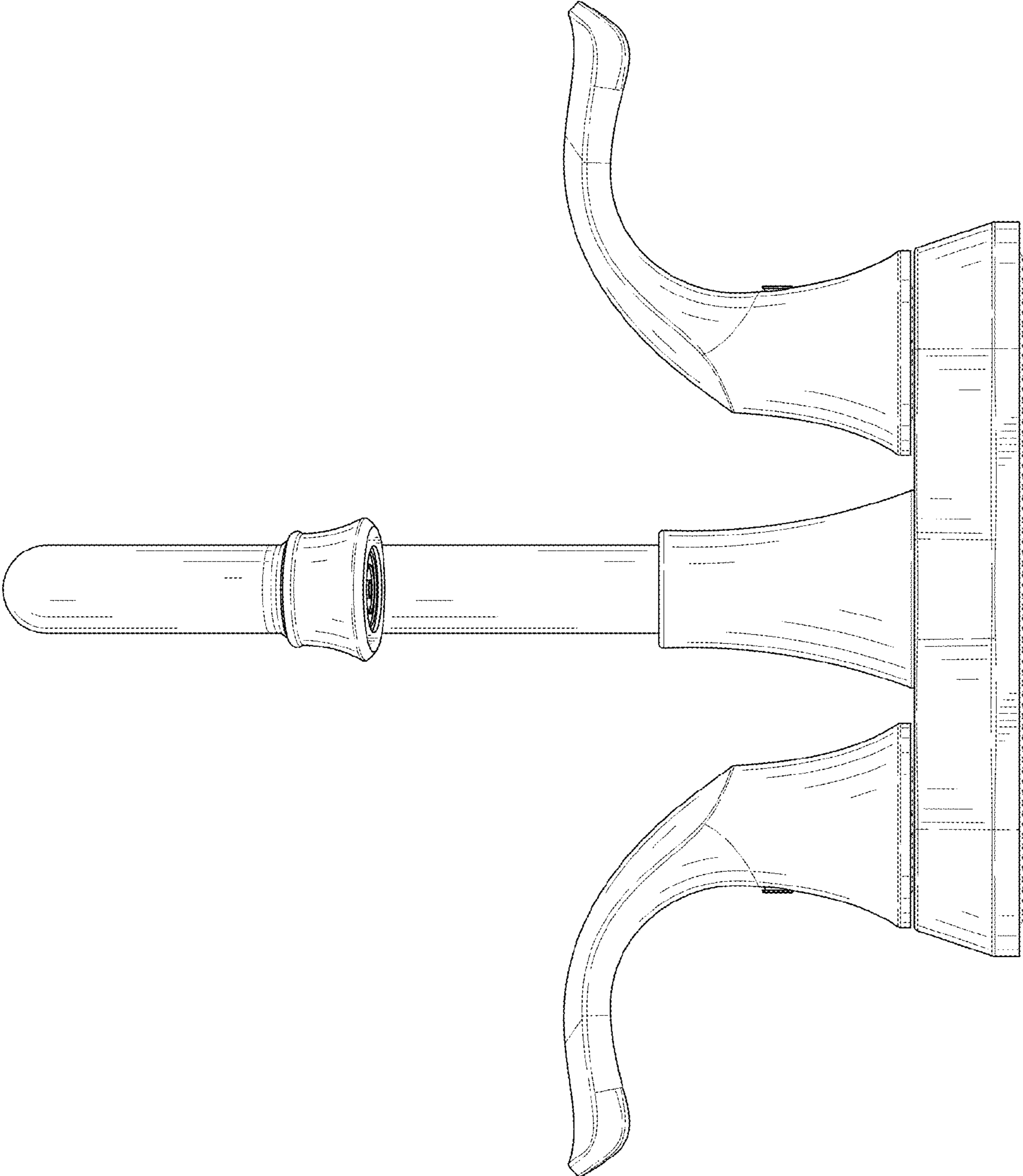


FIG. 3

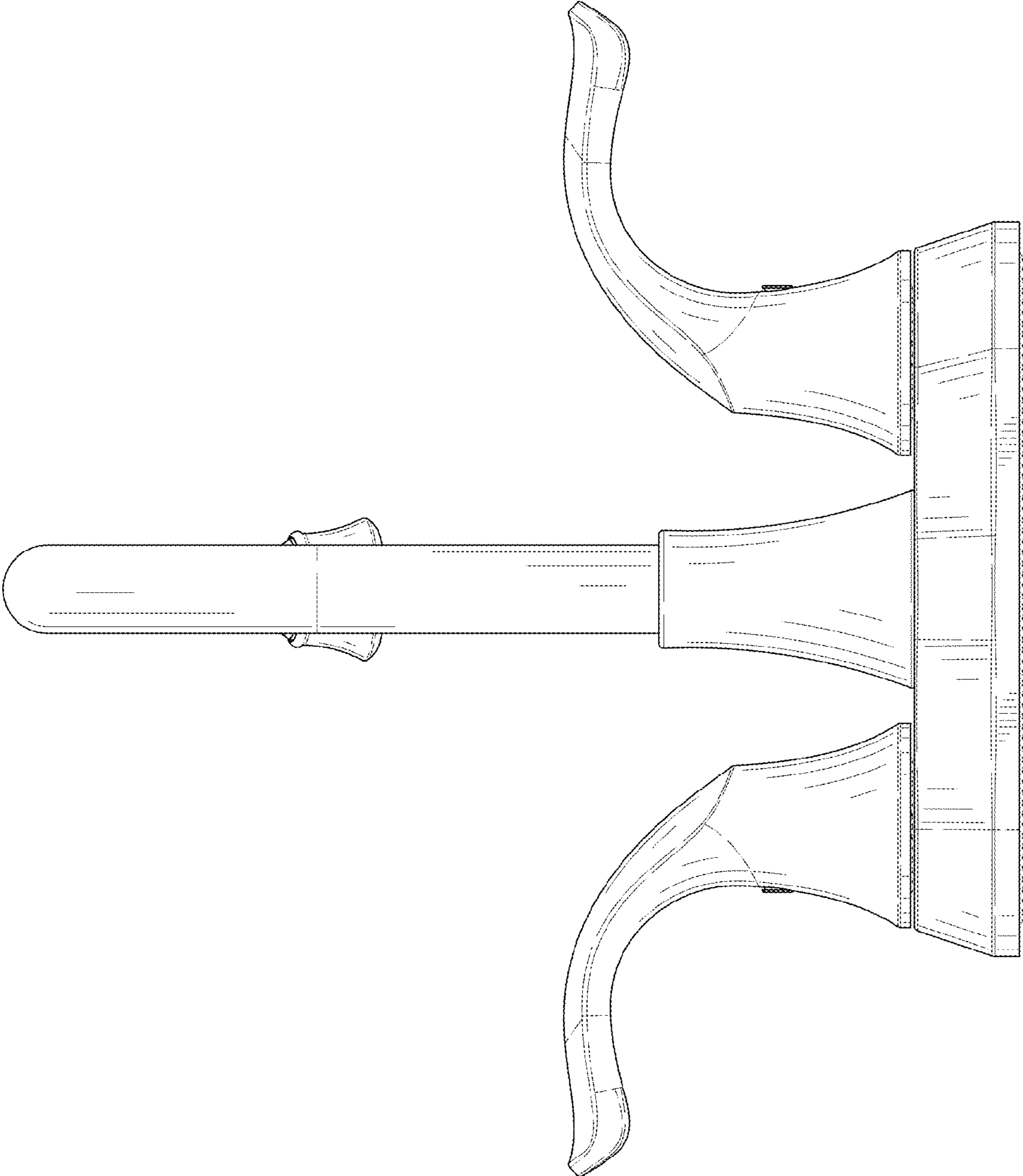


FIG. 4

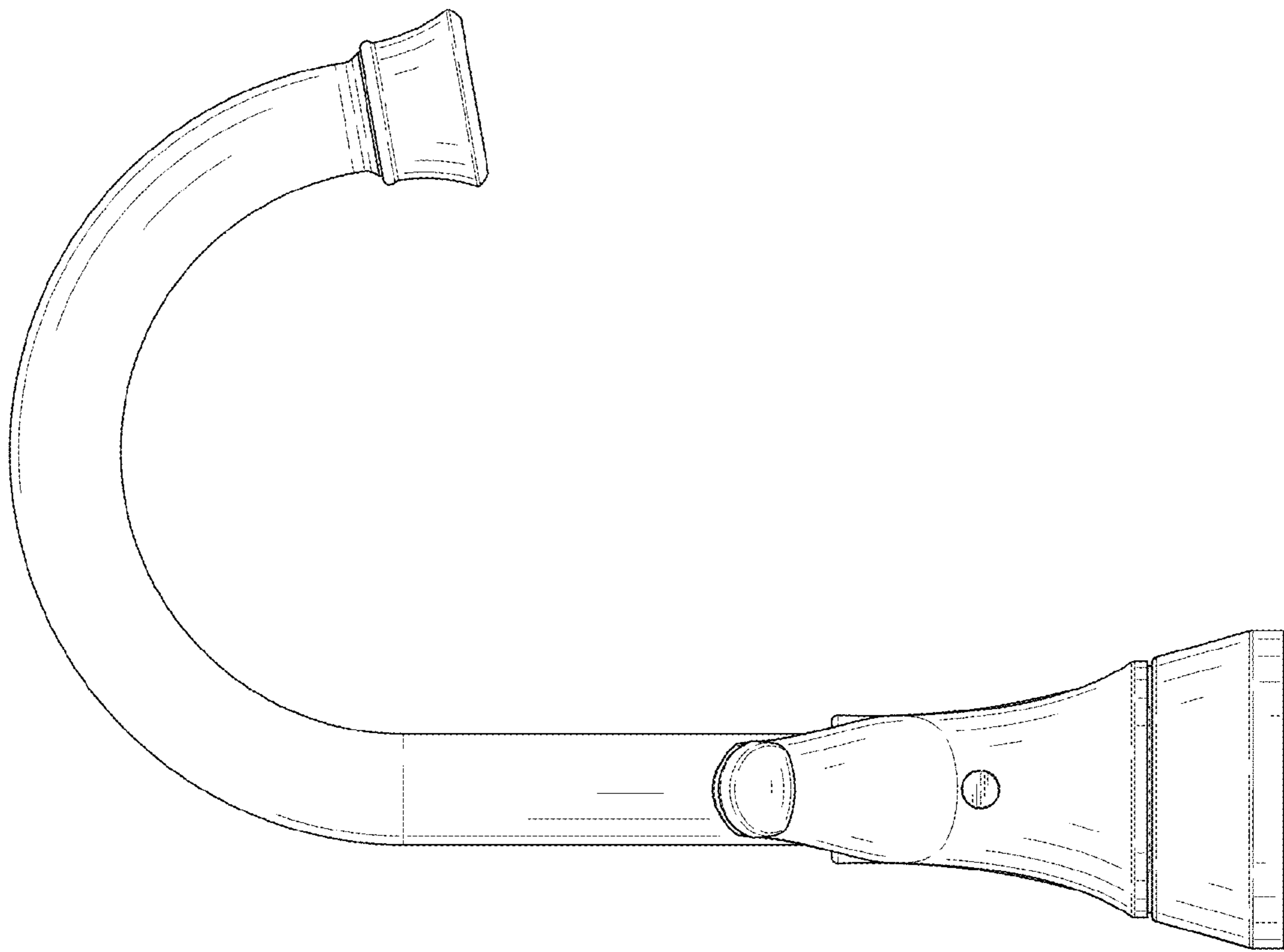


FIG. 5

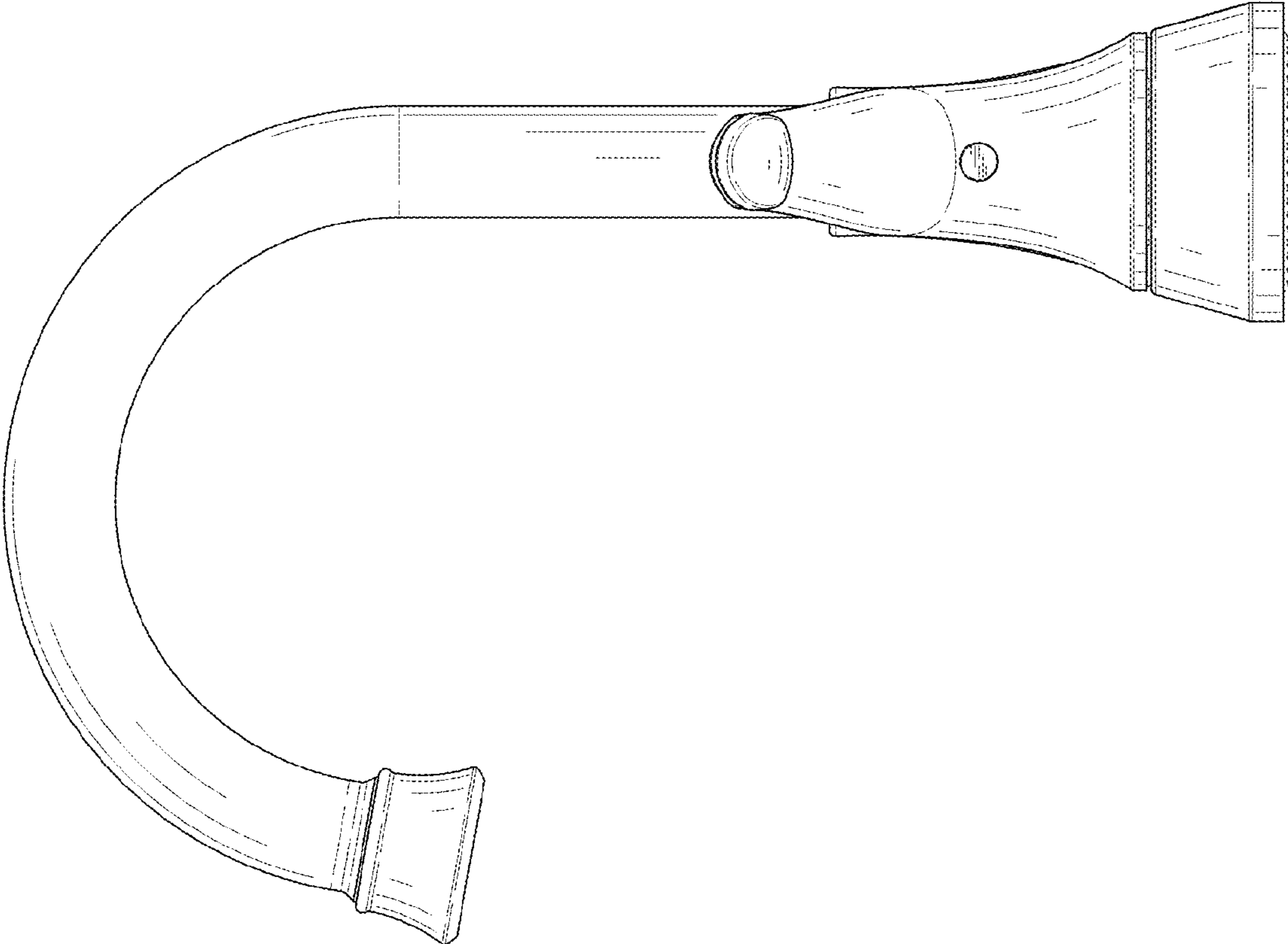


FIG. 6

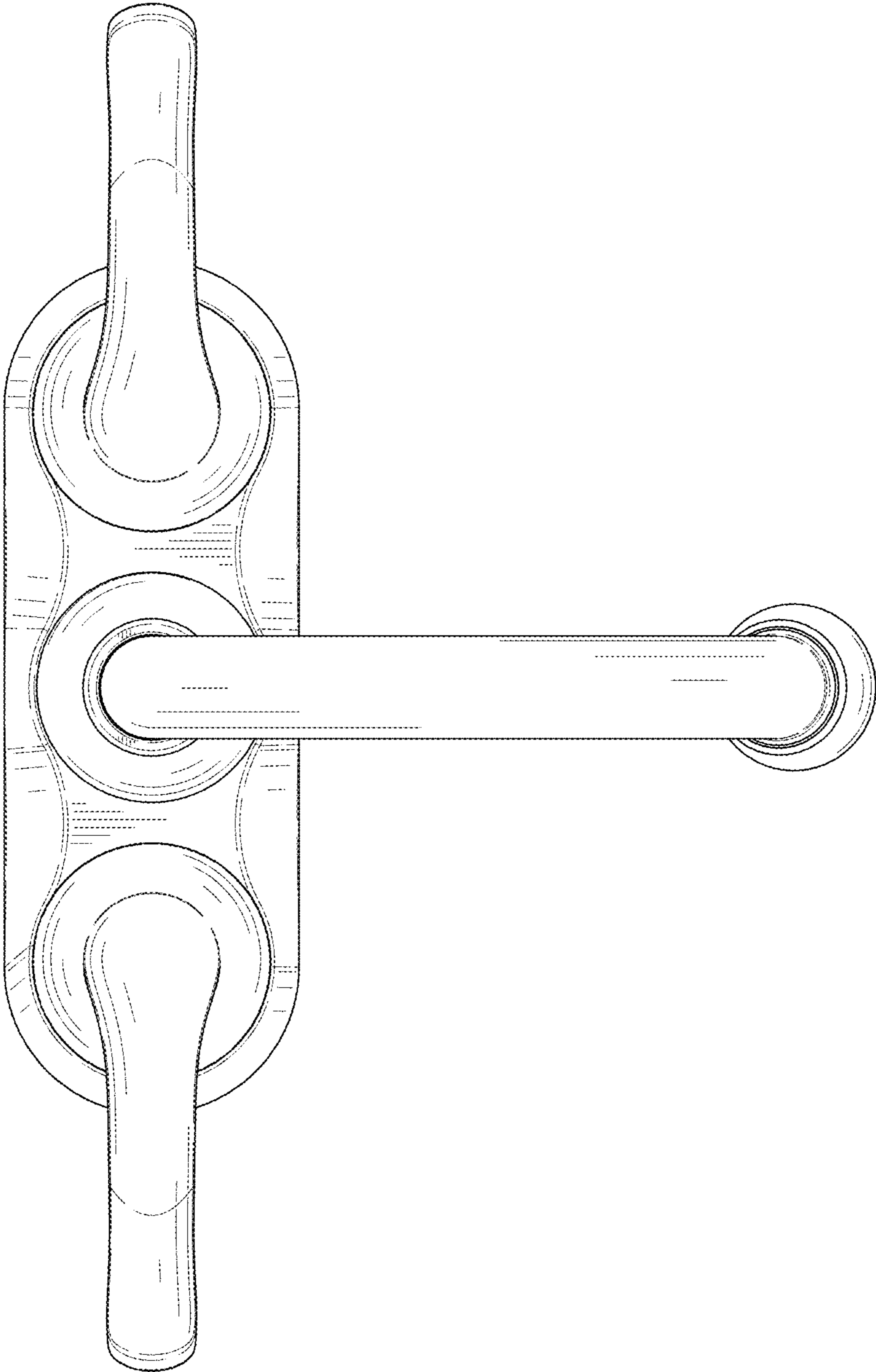


FIG. 7



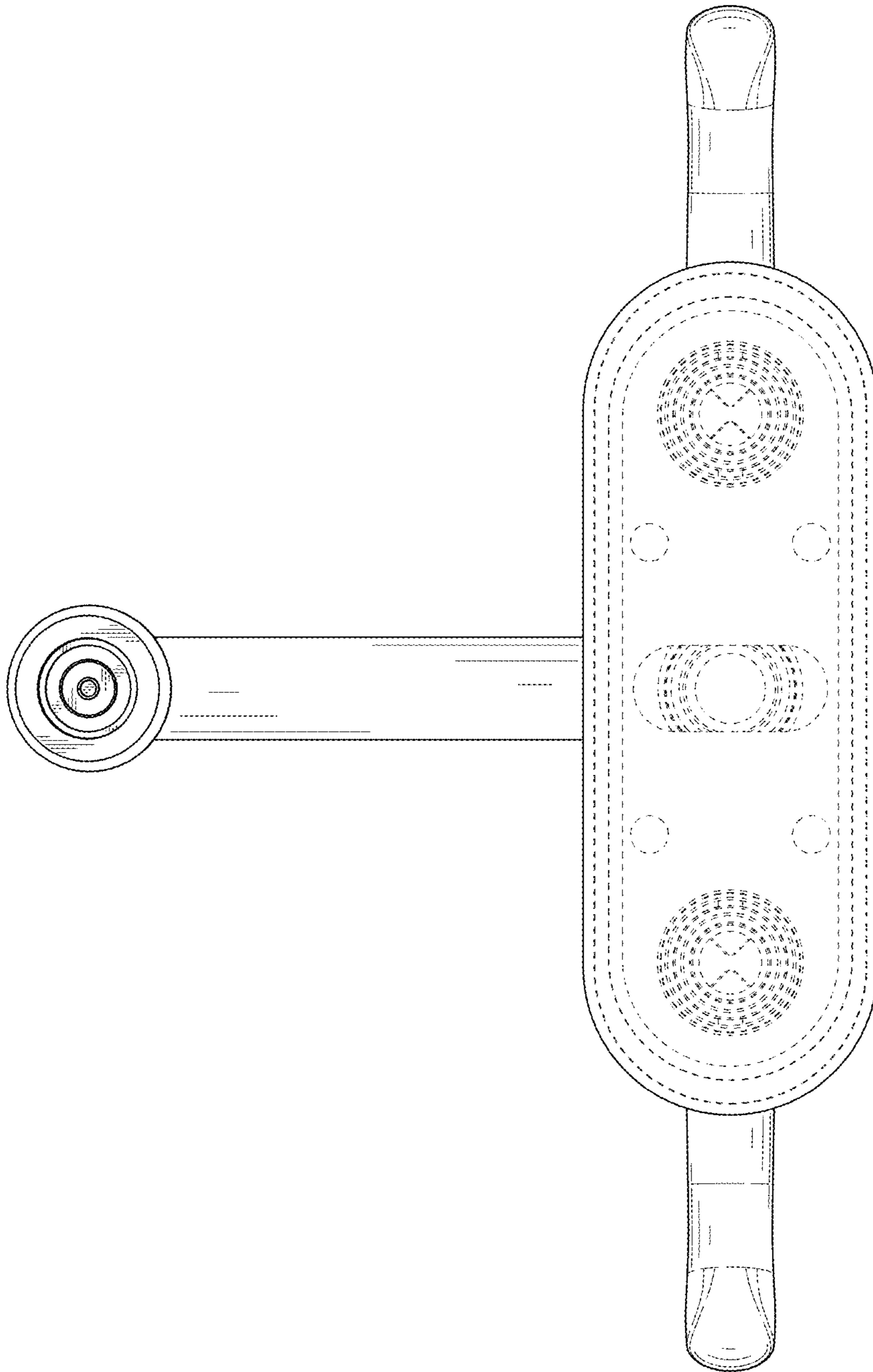


FIG. 8

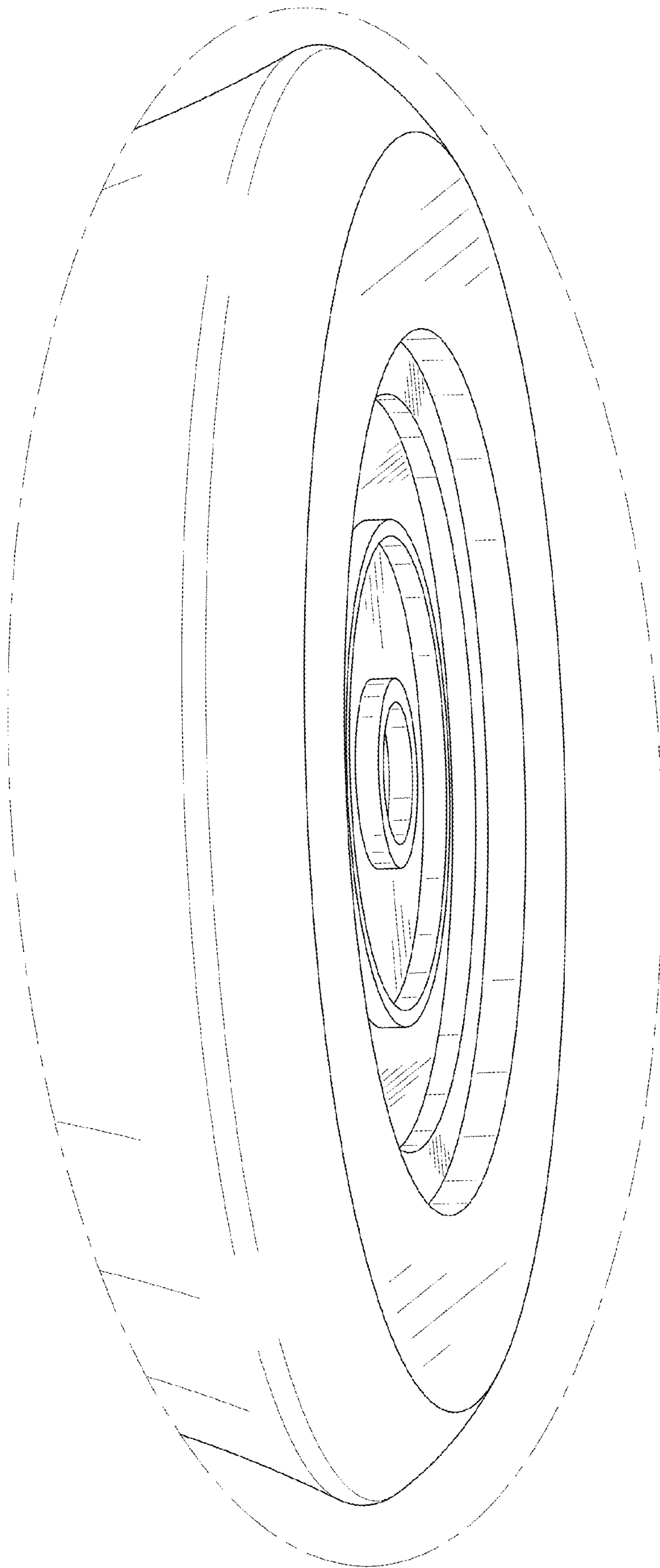


FIG. 9

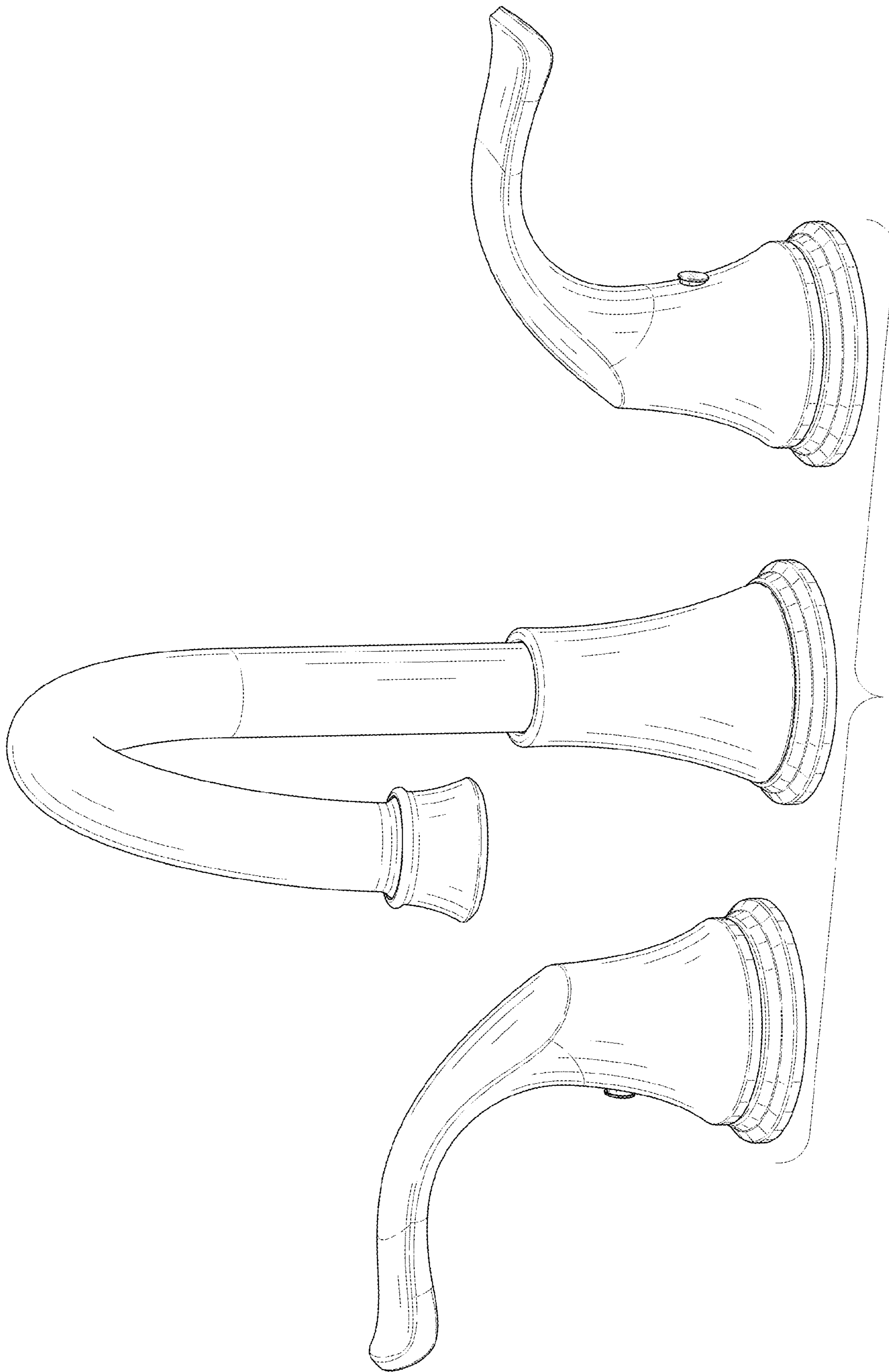


FIG. 10

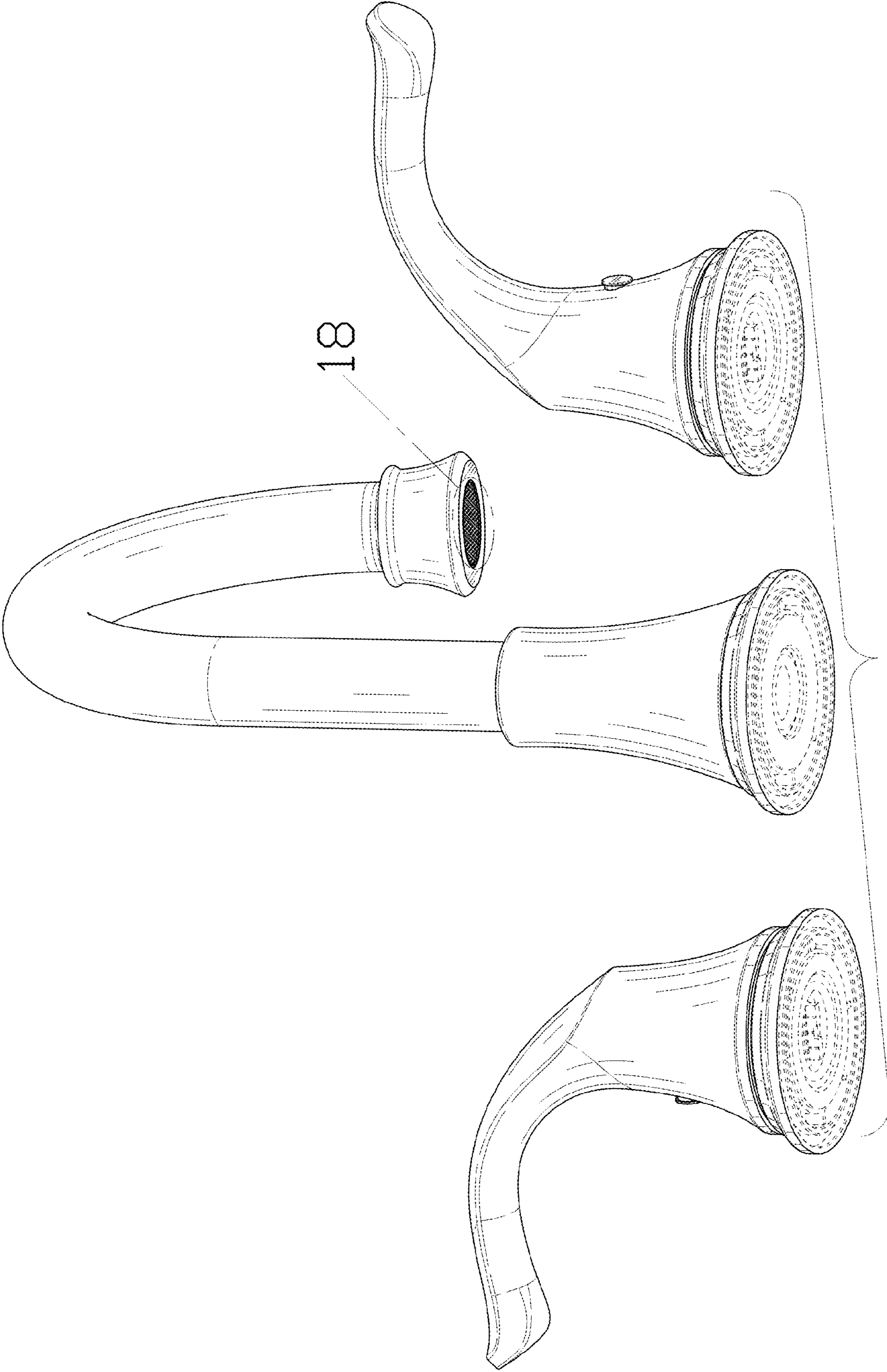


FIG. 11

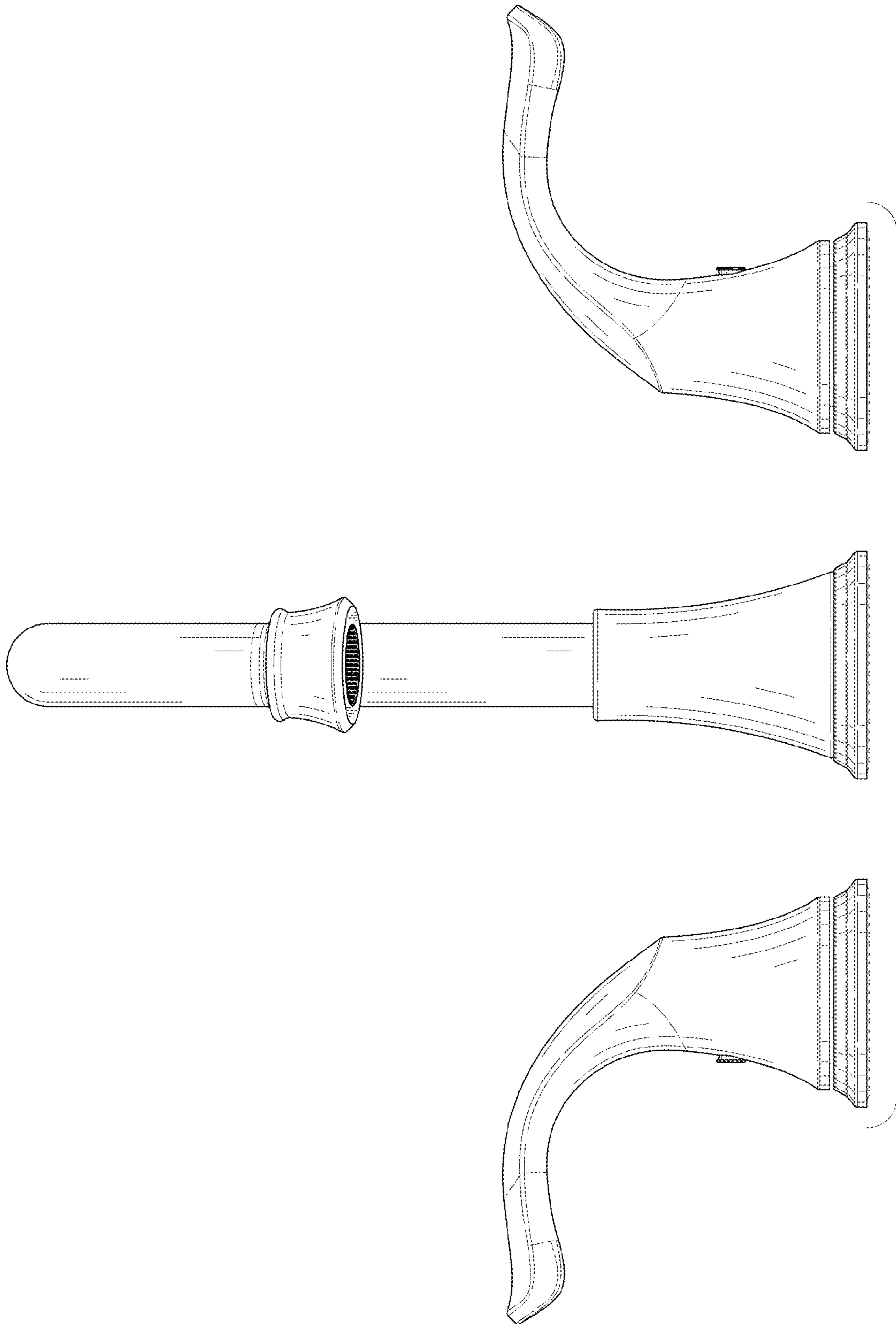


FIG. 12

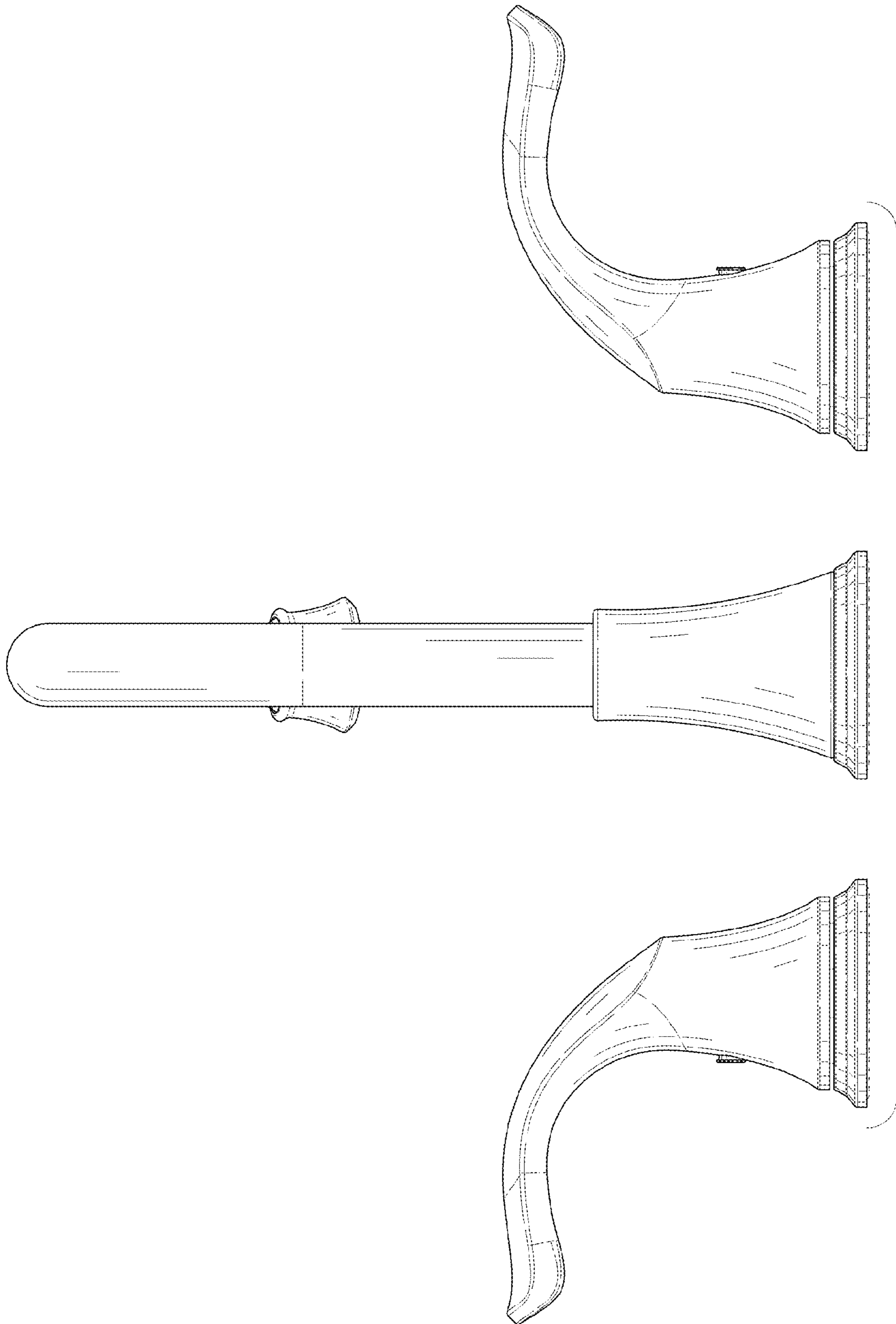


FIG. 13

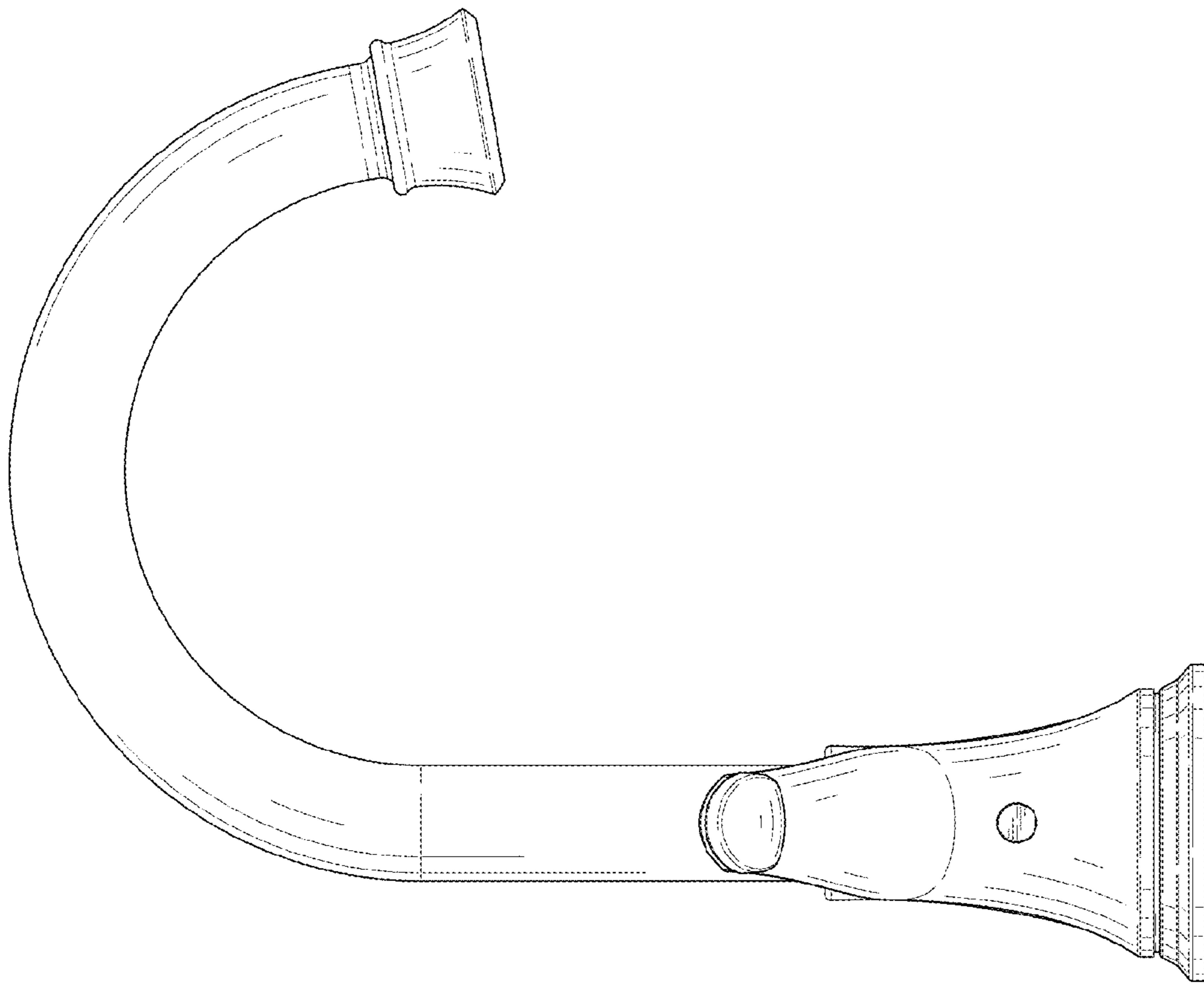


FIG. 14

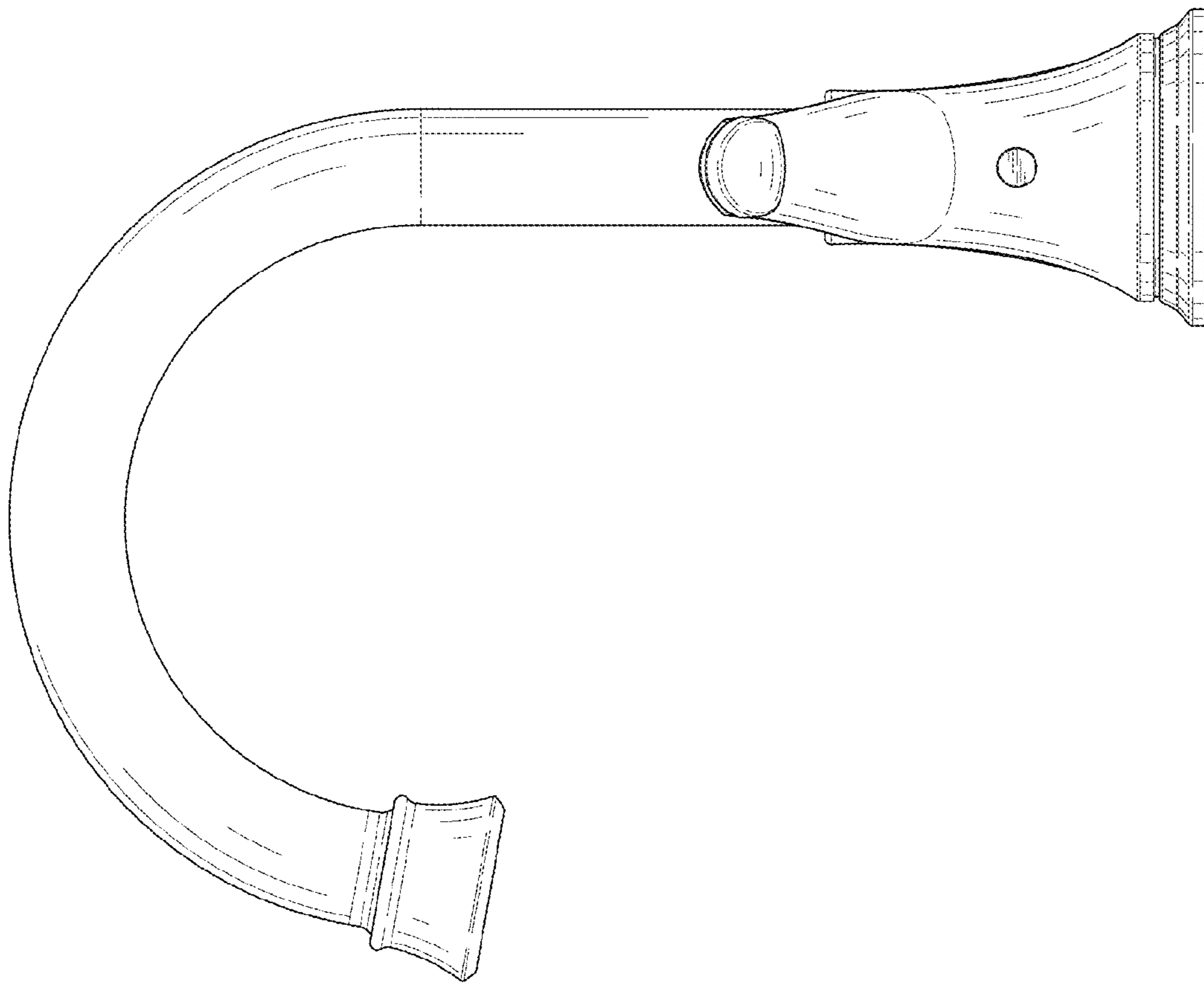


FIG. 15



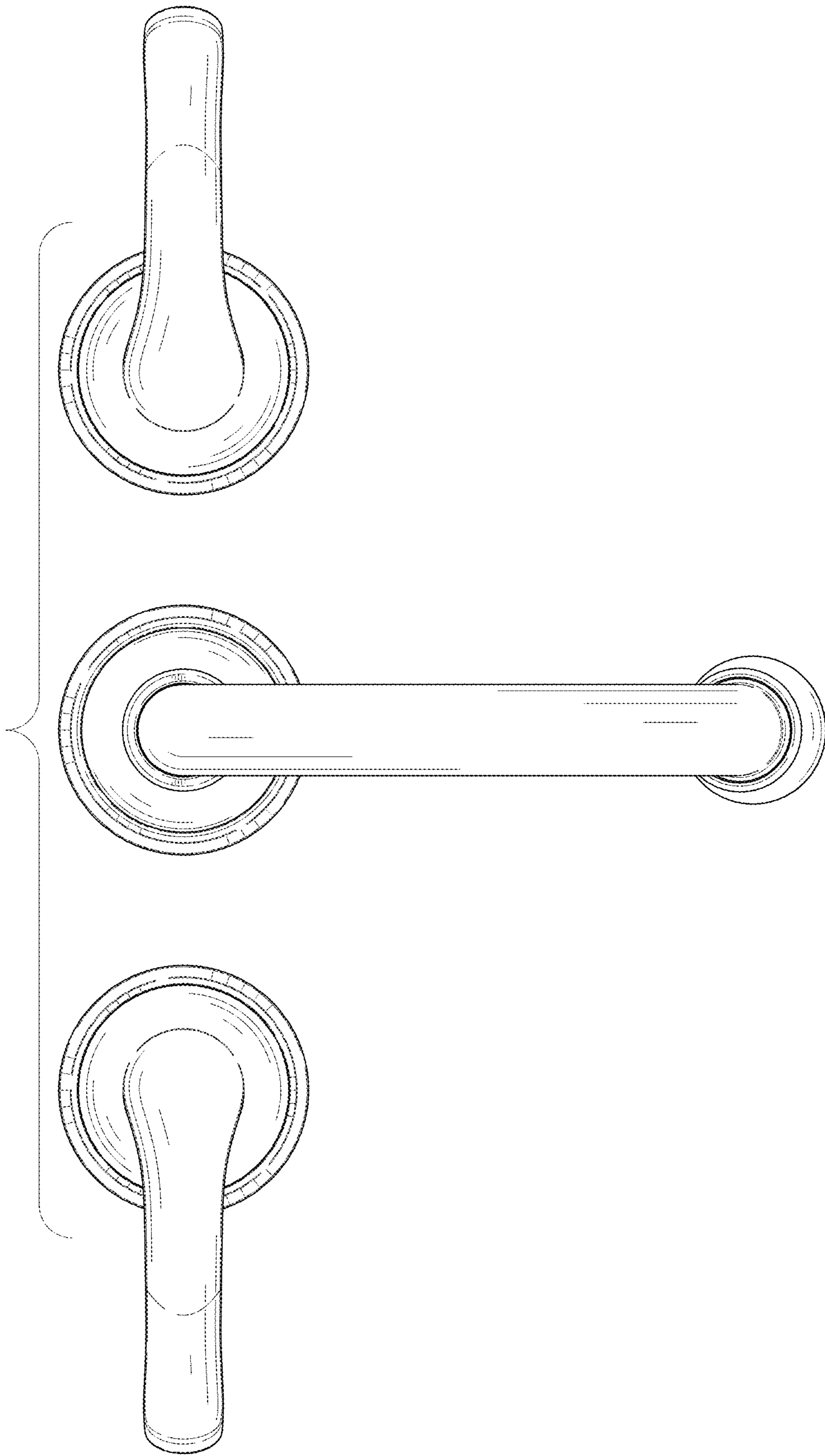


FIG. 16

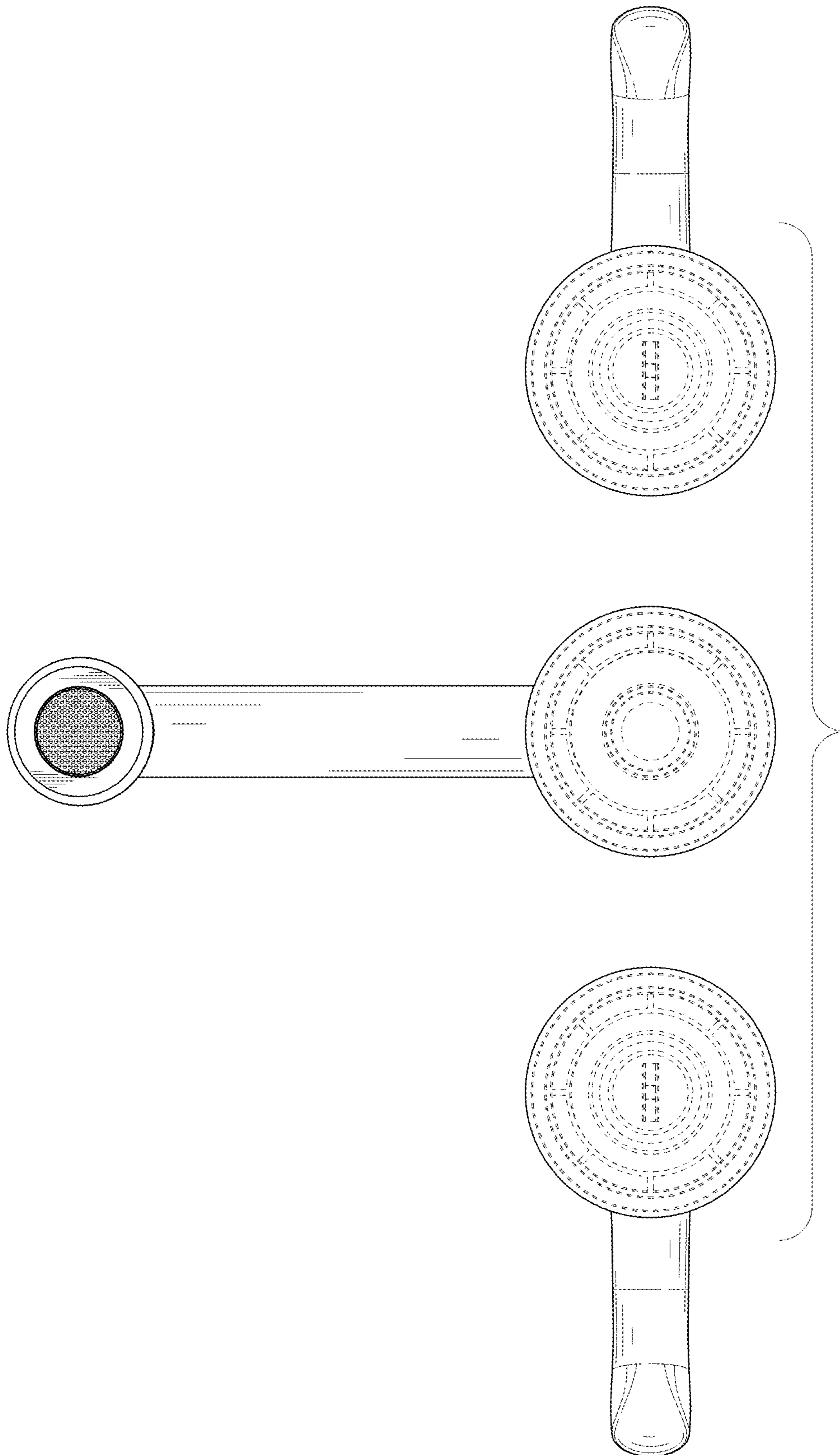


FIG. 17

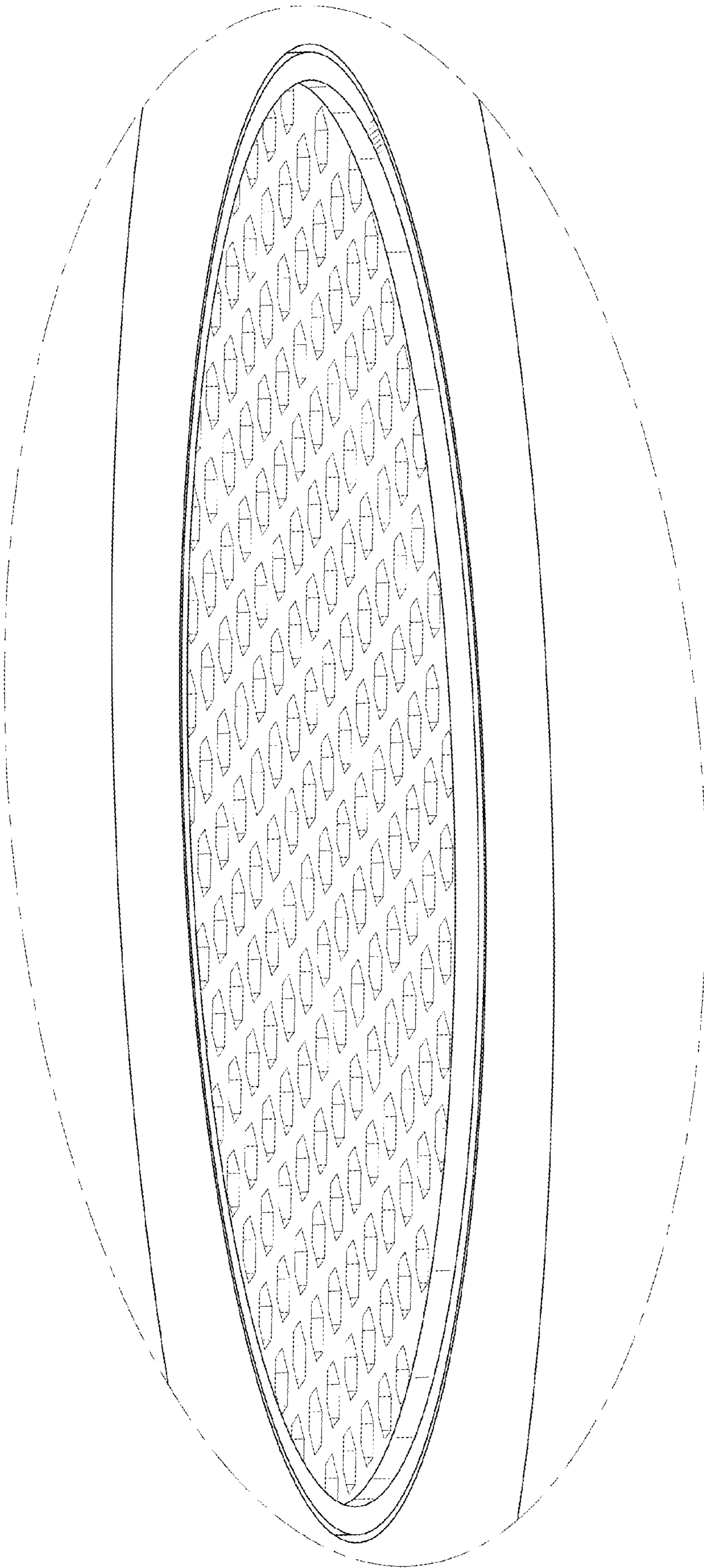


FIG. 18