

US00D967935S

(12) **United States Design Patent** (10) **Patent No.:** **US D967,935 S**  
**Liu** (45) **Date of Patent:** **\*\* Oct. 25, 2022**

(54) **FAUCET**

(71) Applicant: **KAIPING LINLONG SANITARY WARE TECHNOLOGY CO., LTD.,**  
Kaiping (CN)

(72) Inventor: **Jijun Liu,** Changning (CN)

(73) Assignee: **KAIPING LINLONG SANITARY WARE TECHNOLOGY CO., LTD.,**  
Kaiping (CN)

(\*\*) Term: **15 Years**

(21) Appl. No.: **29/824,231**

(22) Filed: **Jan. 23, 2022**

(51) **LOC (13) Cl.** ..... **23-01**

(52) **U.S. Cl.**  
USPC ..... **D23/242**

(58) **Field of Classification Search**  
USPC ..... D23/238–243, 249–250, 252, 254–255,  
D23/257, 213; D8/307–308, 352–353  
See application file for complete search history.

(56) **References Cited**

**U.S. PATENT DOCUMENTS**

D433,485 S	*	11/2000	Lord	.....	D23/249
D537,916 S	*	3/2007	Buttgen	.....	D23/213
D641,829 S	*	7/2011	Angelov	.....	D23/213
D680,193 S	*	4/2013	Kwok	.....	D23/242
D680,626 S	*	4/2013	Kwok	.....	D23/242
D768,828 S	*	10/2016	Georgeson	.....	D23/252
D791,280 S	*	7/2017	Fritz	.....	D23/242
D855,769 S		8/2019	Eads		
D874,614 S		2/2020	Lazarini		
D934,997 S	*	11/2021	He	.....	D23/242
D938,553 S	*	12/2021	He	.....	D23/242
D958,297 S	*	7/2022	Zeng	.....	D23/241

**OTHER PUBLICATIONS**

PARLOS Widespread Double Handles Bathroom Faucet, Amazon.com. <https://www.amazon.com/Widespread-Bathroom-Faucet->

Supply-PARLOS/dp/B078V3B1TM/ref=sr\_1\_13\_sspa?.crid=2VMRGEFYK2MC0&keywords=widespread%2Bfaucet&qid=1658935000&s=hi&sprefix=widespread%2Bfaucet%2Ctools%2C181&sr=1-13-spons&spLa=ZW5jcnlwdGVkUXVhbGlmaWVyPUFJR EpSUTM2QTE3WVYmZW5jcnlwdGVkSWQ9QTA3NDM1NTYyNUtJV00 (Year: 2018).\*

\* cited by examiner

*Primary Examiner* — Robert A Delehanty

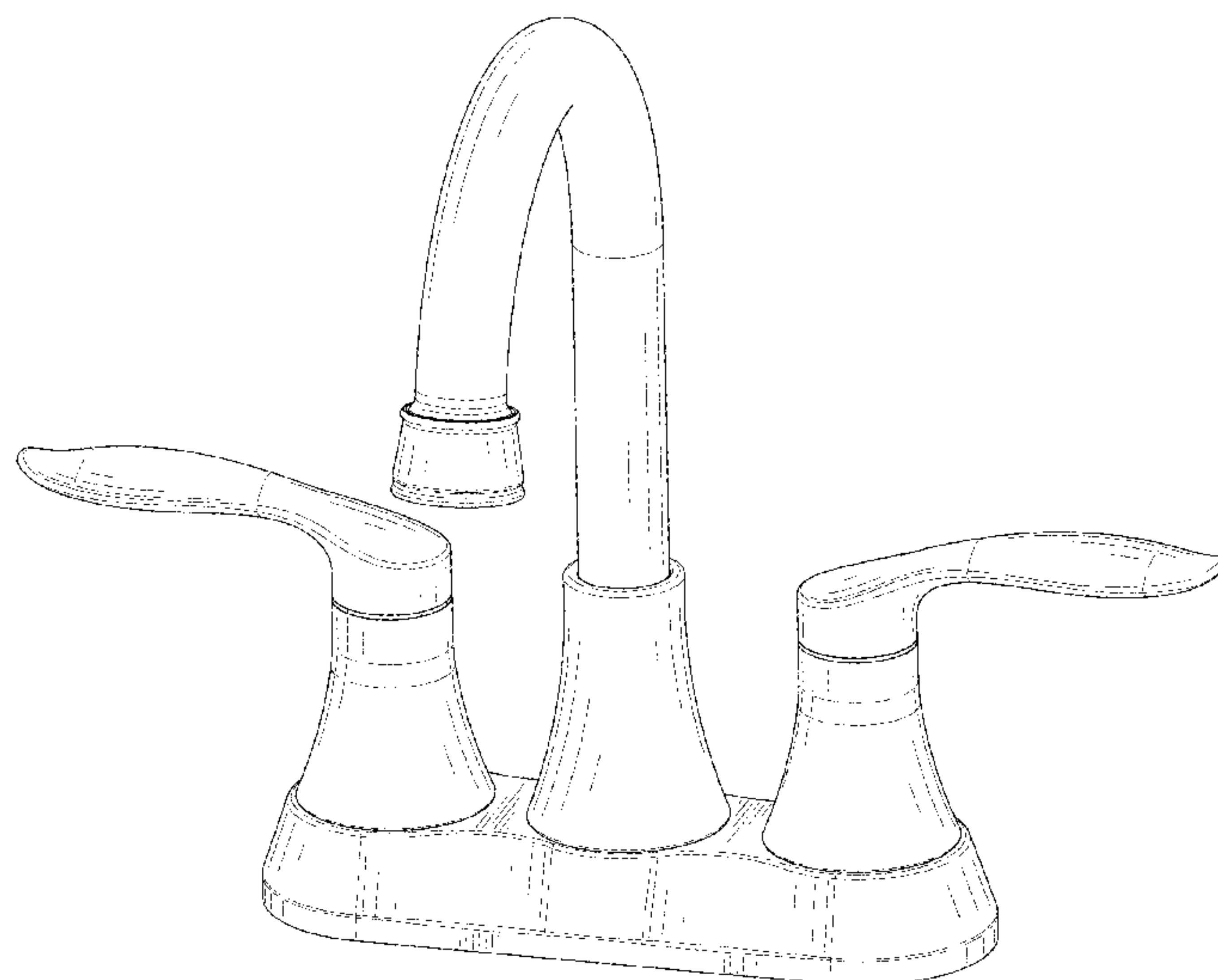
(57) **CLAIM**

The ornamental design for a faucet, as shown and described.

**DESCRIPTION**

FIG. 1 is a perspective view of a first embodiment of a faucet showing my new design;  
FIG. 2 is another perspective view thereof;  
FIG. 3 is a front elevational view thereof;  
FIG. 4 is a rear elevational view thereof;  
FIG. 5 is a left side elevational view thereof;  
FIG. 6 is a right side elevational view thereof;  
FIG. 7 is a top plan view thereof;  
FIG. 8 is a bottom plan view thereof;  
FIG. 9 is an enlarged view of portion 9 shown in FIG. 2;  
FIG. 10 is a perspective view of a second embodiment of the faucet;  
FIG. 11 is another perspective view thereof;  
FIG. 12 is a front elevational view thereof;  
FIG. 13 is a rear elevational view thereof;  
FIG. 14 is a left side elevational view thereof;  
FIG. 15 is a right side elevational view thereof;  
FIG. 16 is a top plan view thereof;  
FIG. 17 is a bottom plan view thereof; and,  
FIG. 18 is an enlarged view of portion 18 shown in FIG. 11. The short thick evenly spaced broken lines in the drawings depict stitching and form no part of the claimed design. The long thin evenly spaced broken lines in the drawings depict portions of faucet and form no part of the claimed design.

**1 Claim, 18 Drawing Sheets**



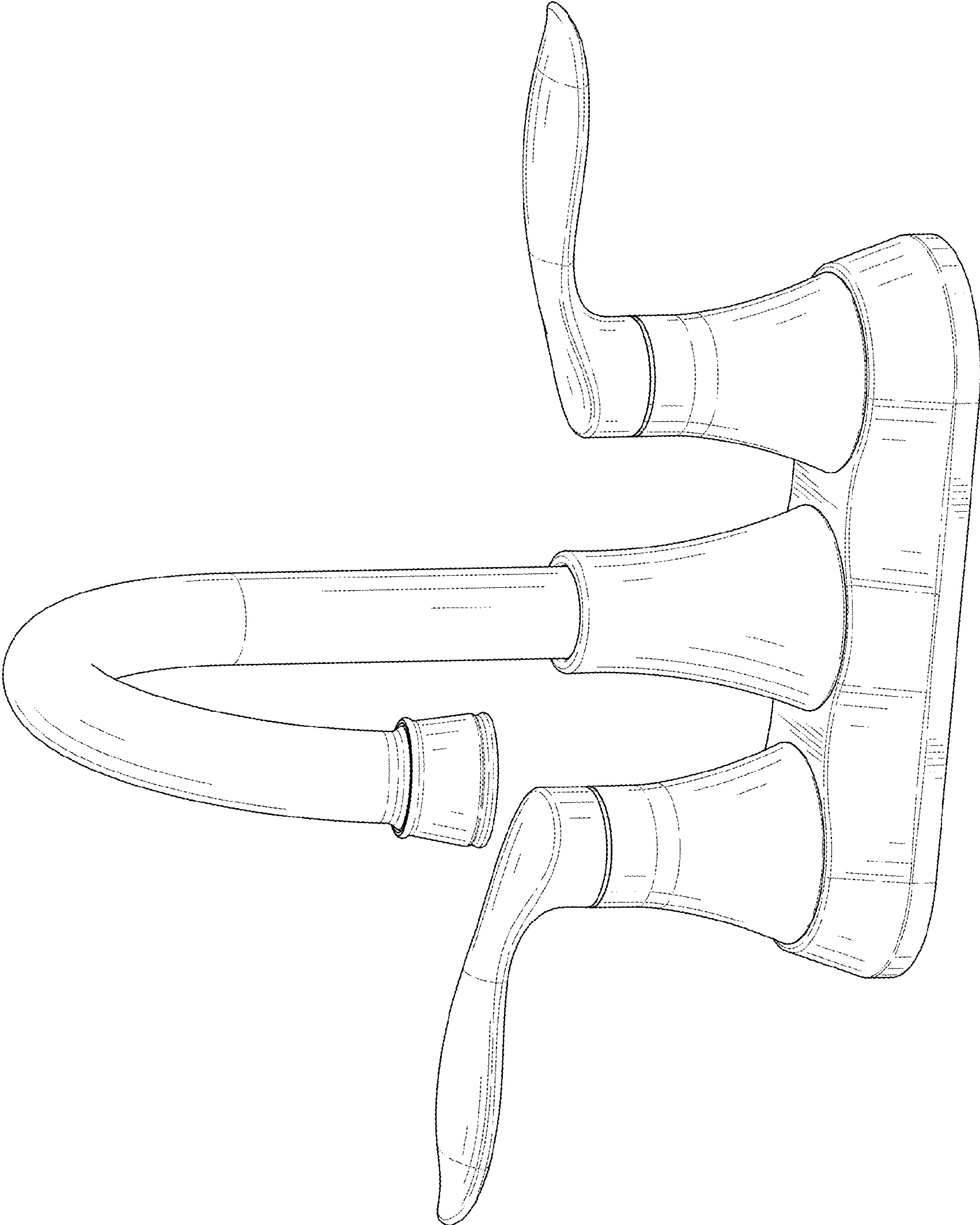


FIG. 1

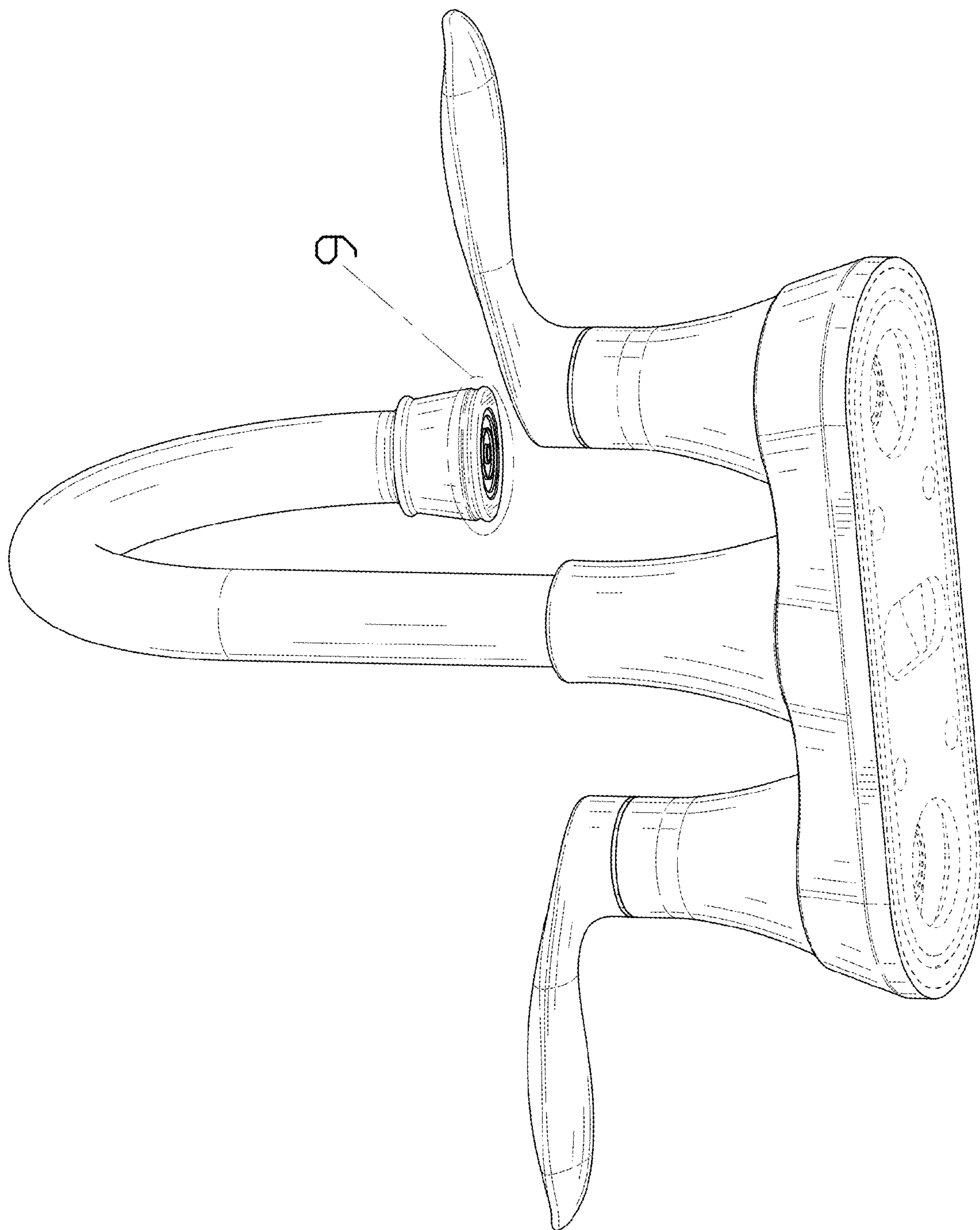


FIG. 2

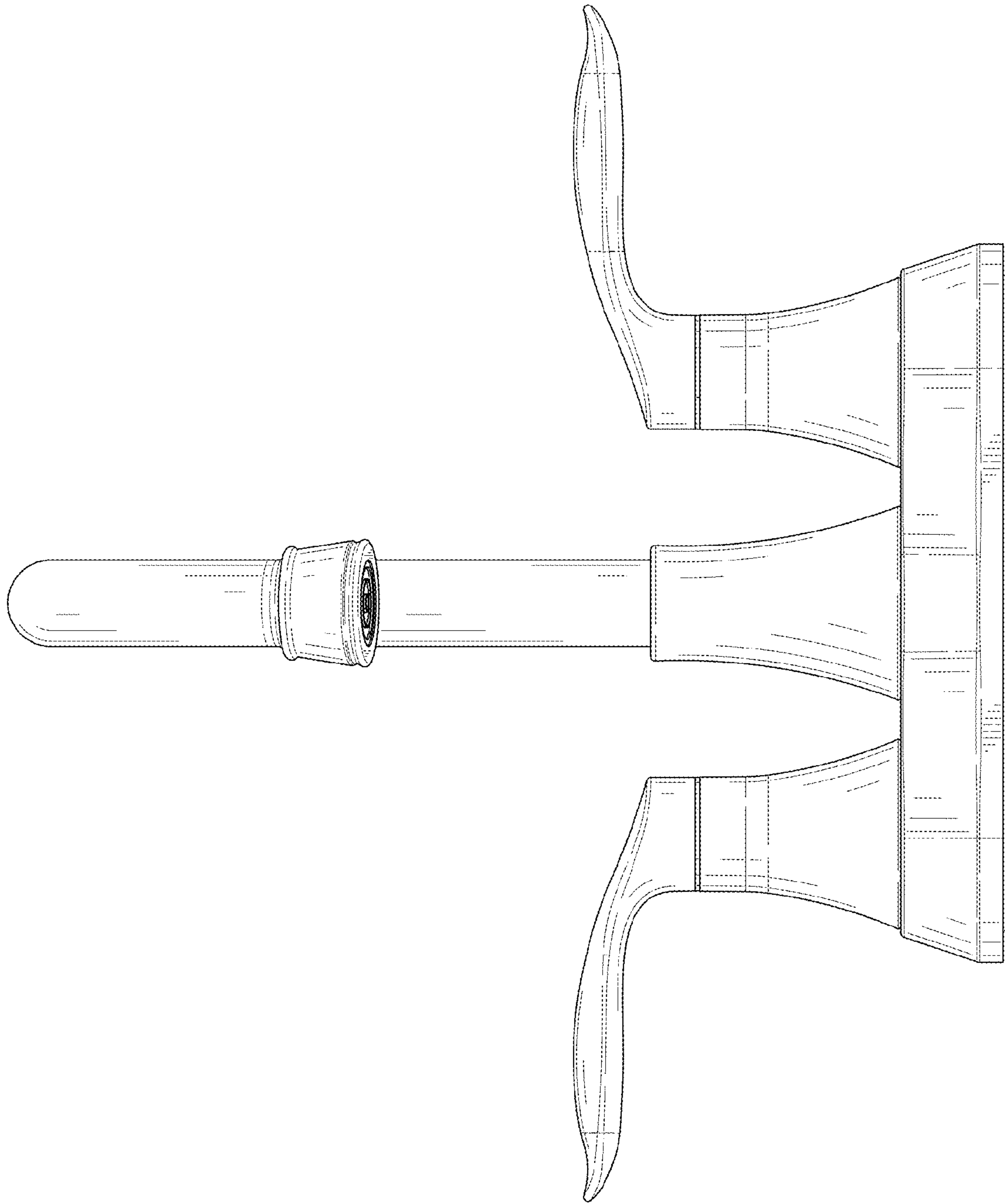


FIG. 3

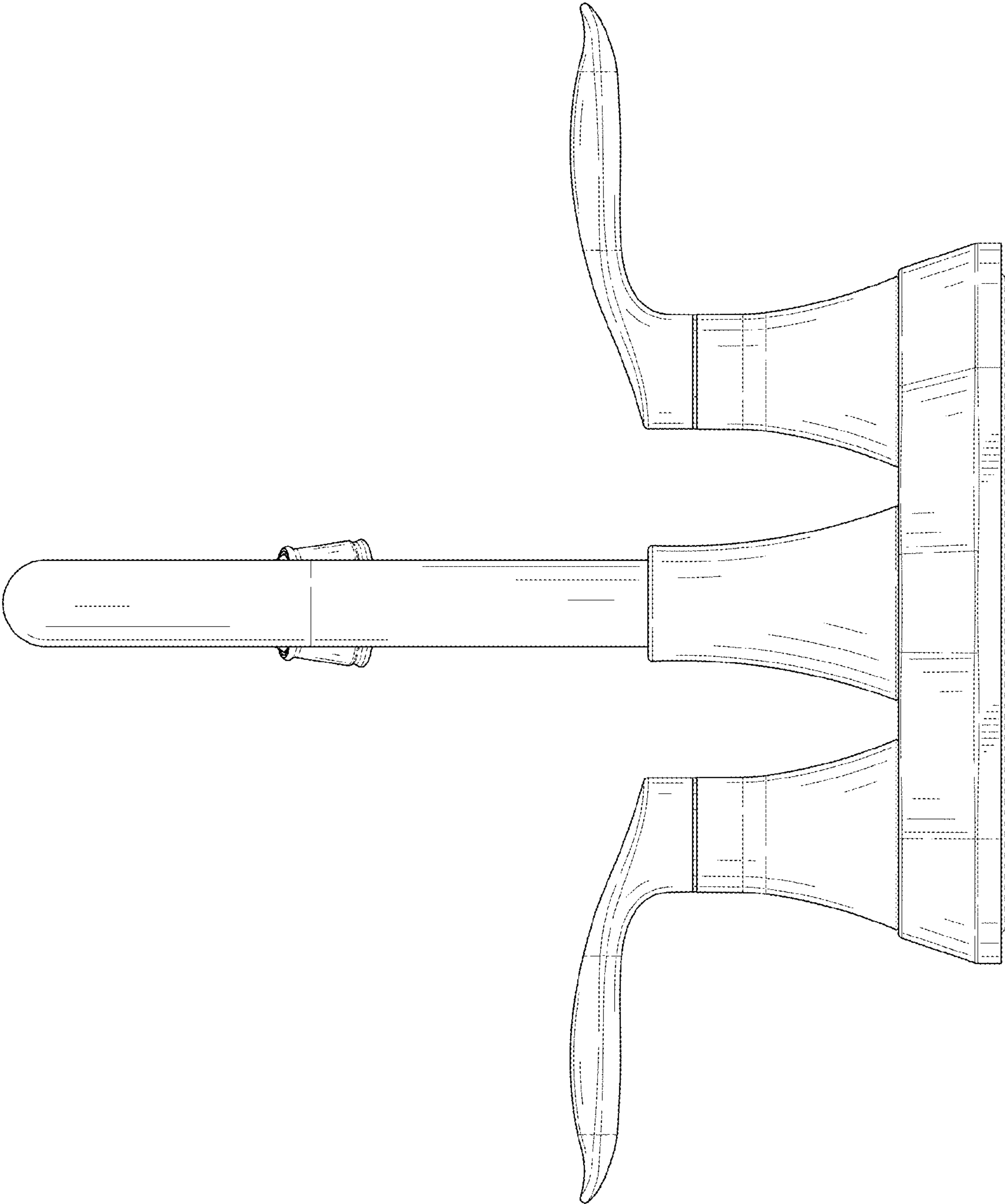


FIG. 4



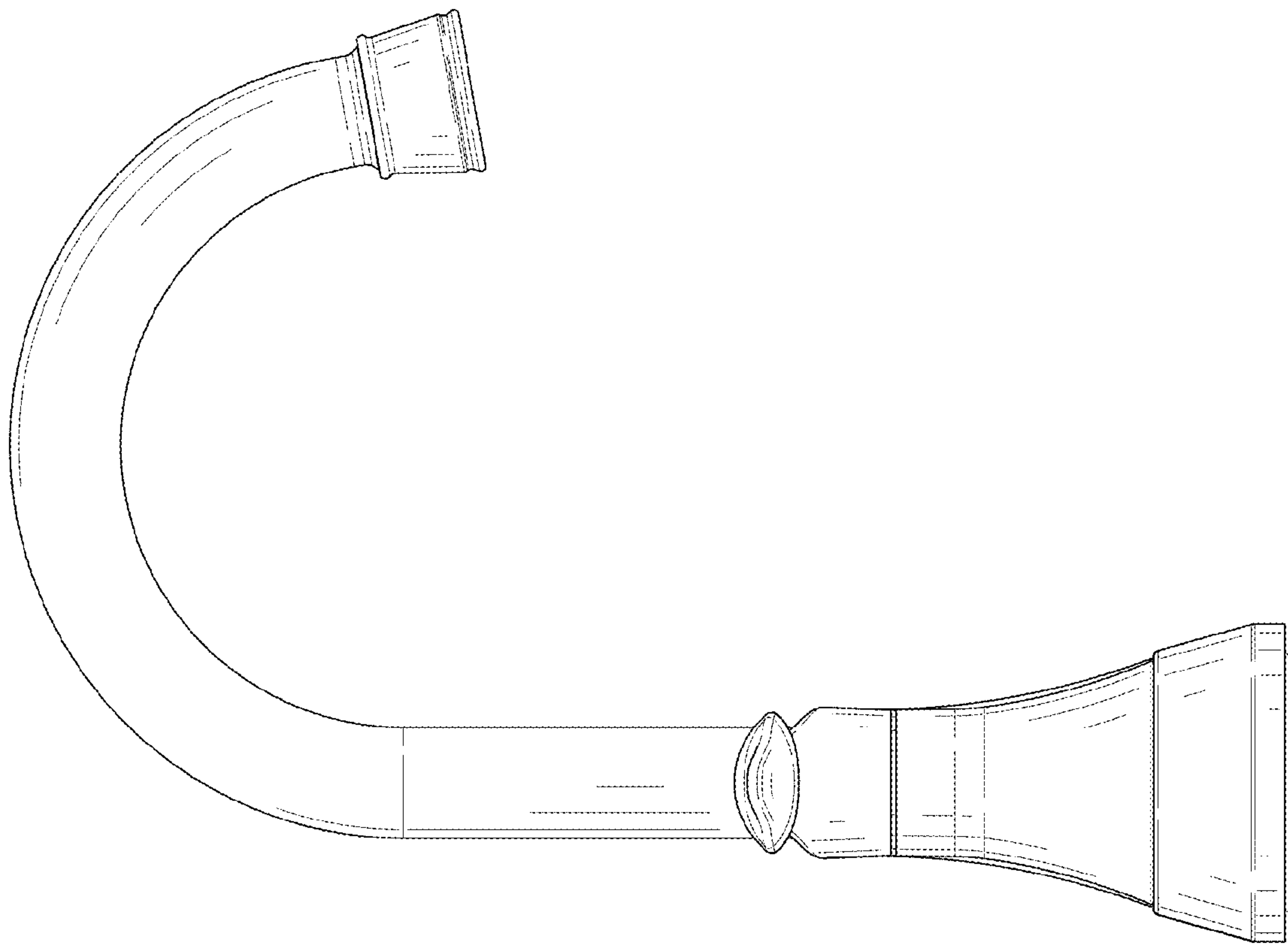


FIG. 5

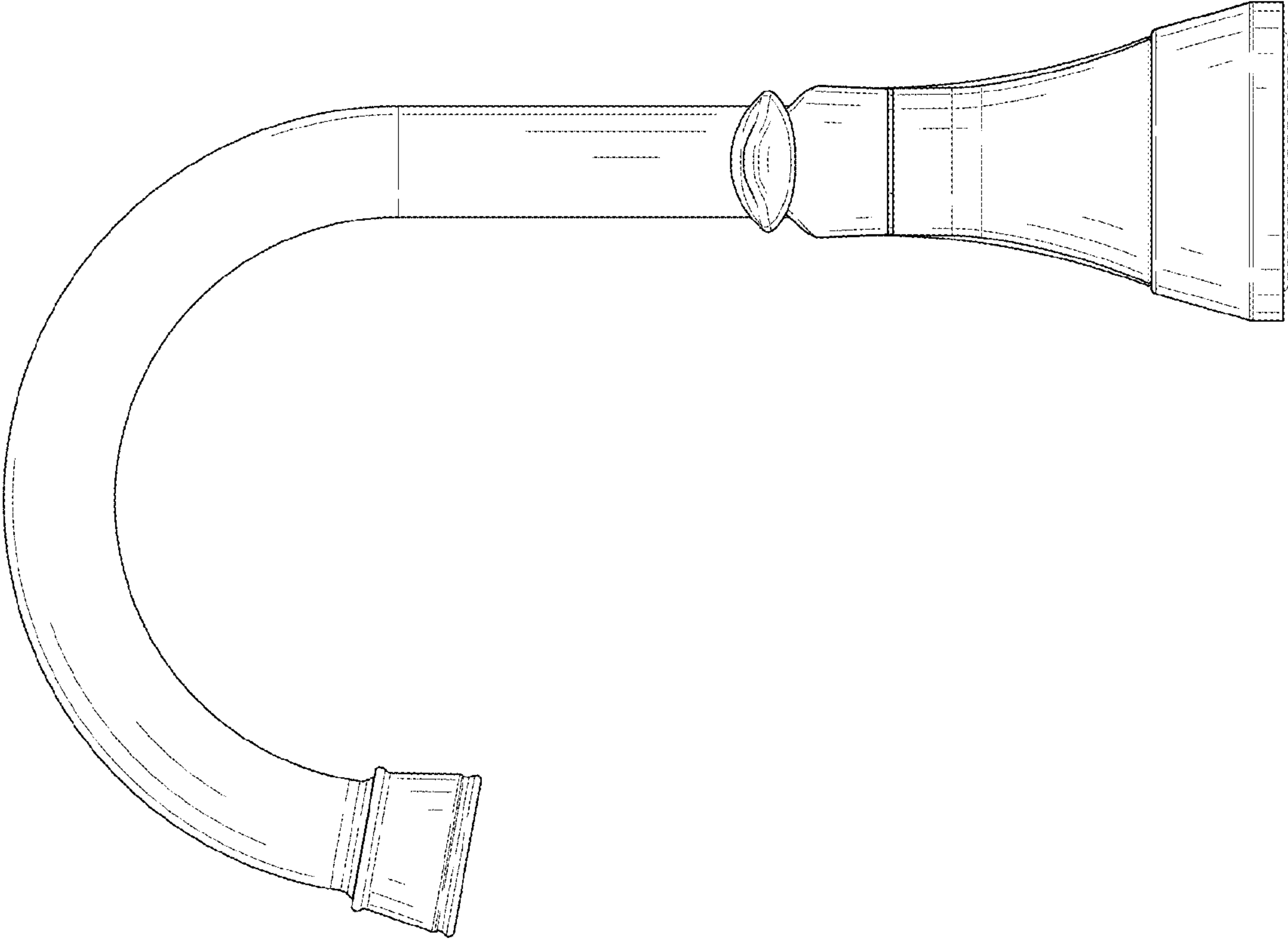


FIG. 6

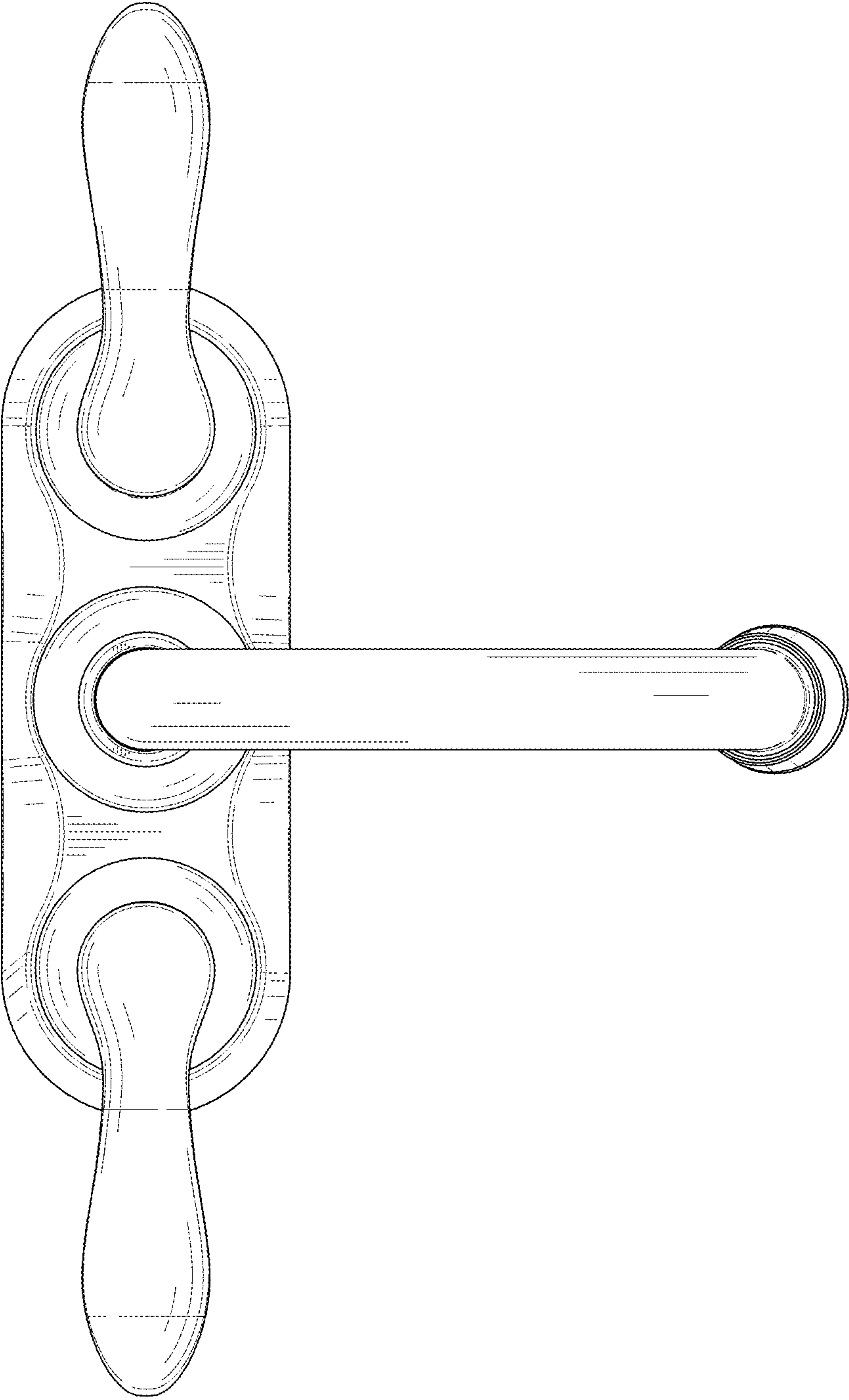


FIG. 7



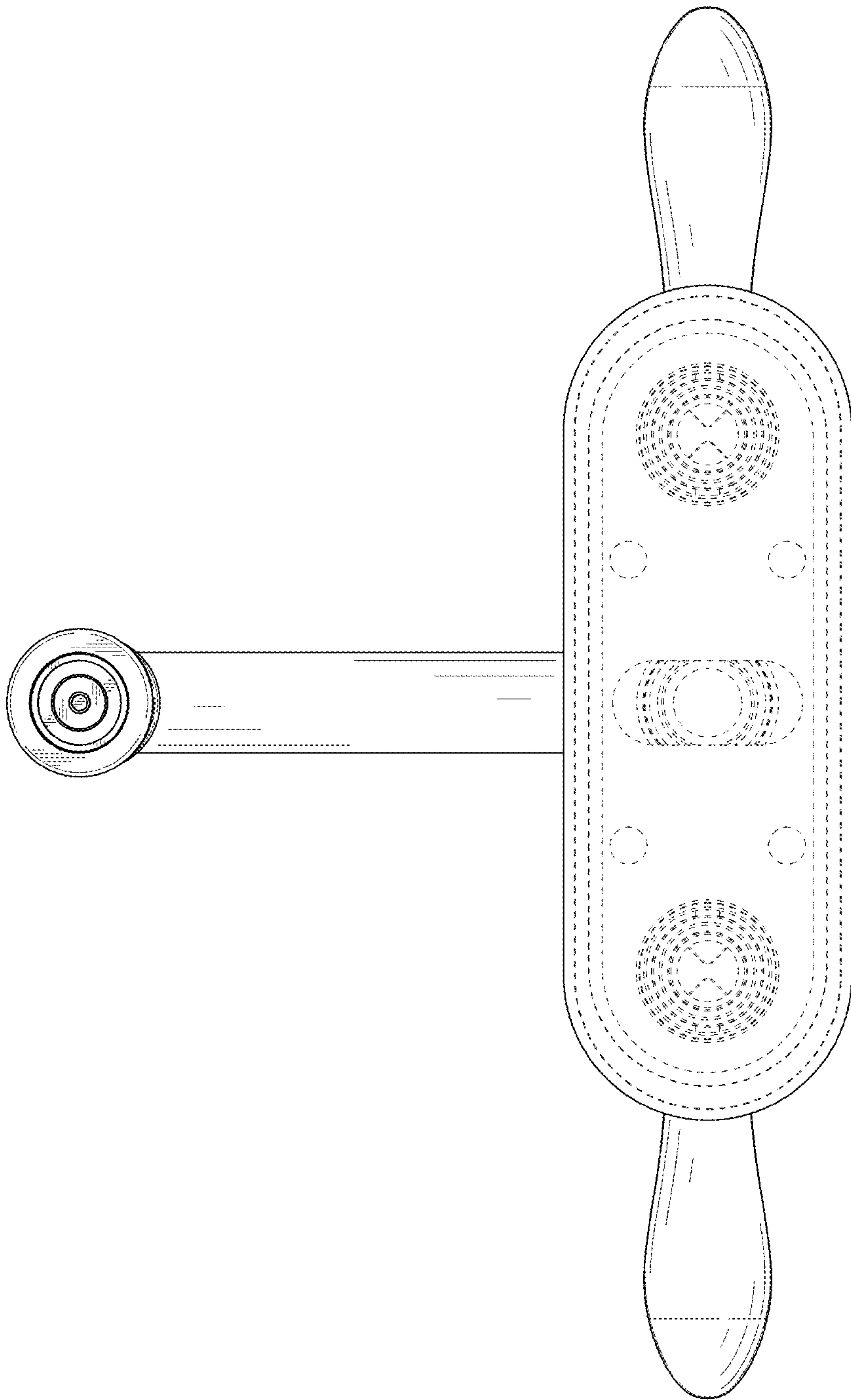


FIG. 8

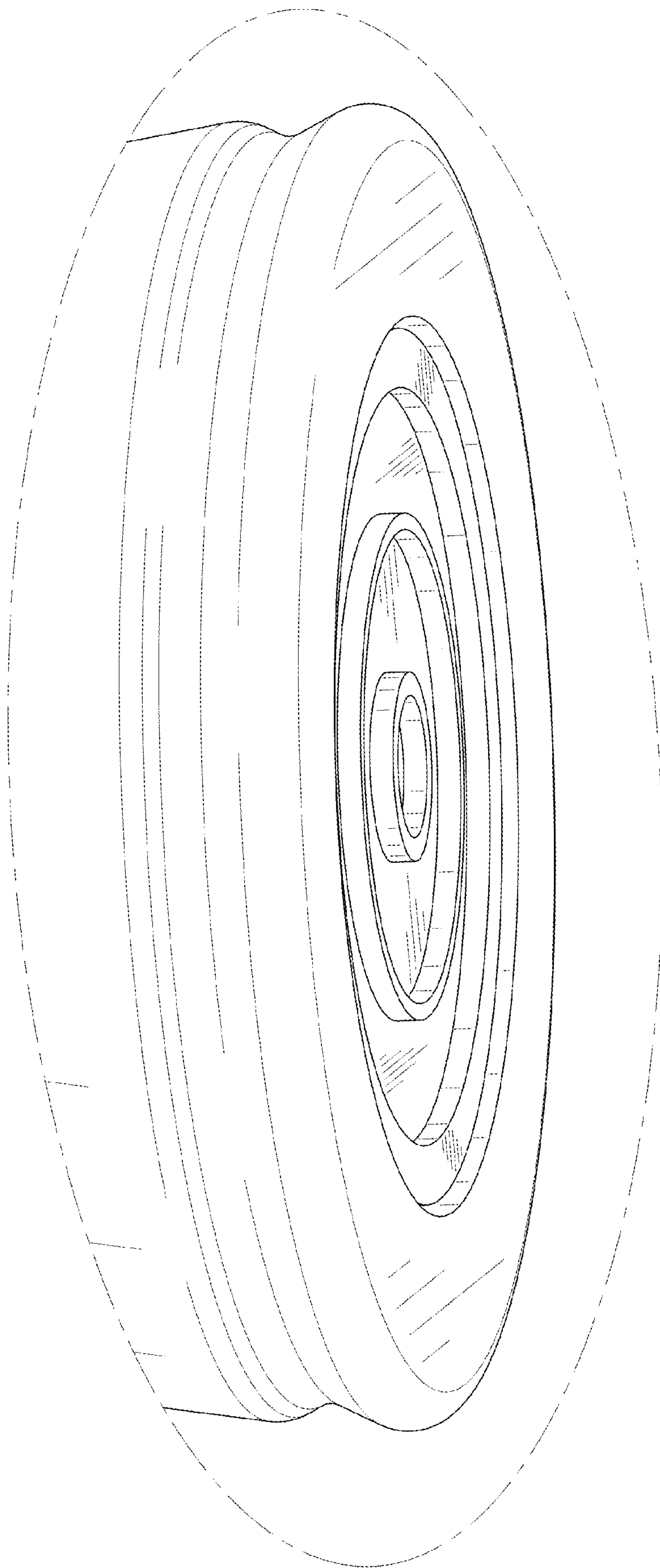


FIG. 9

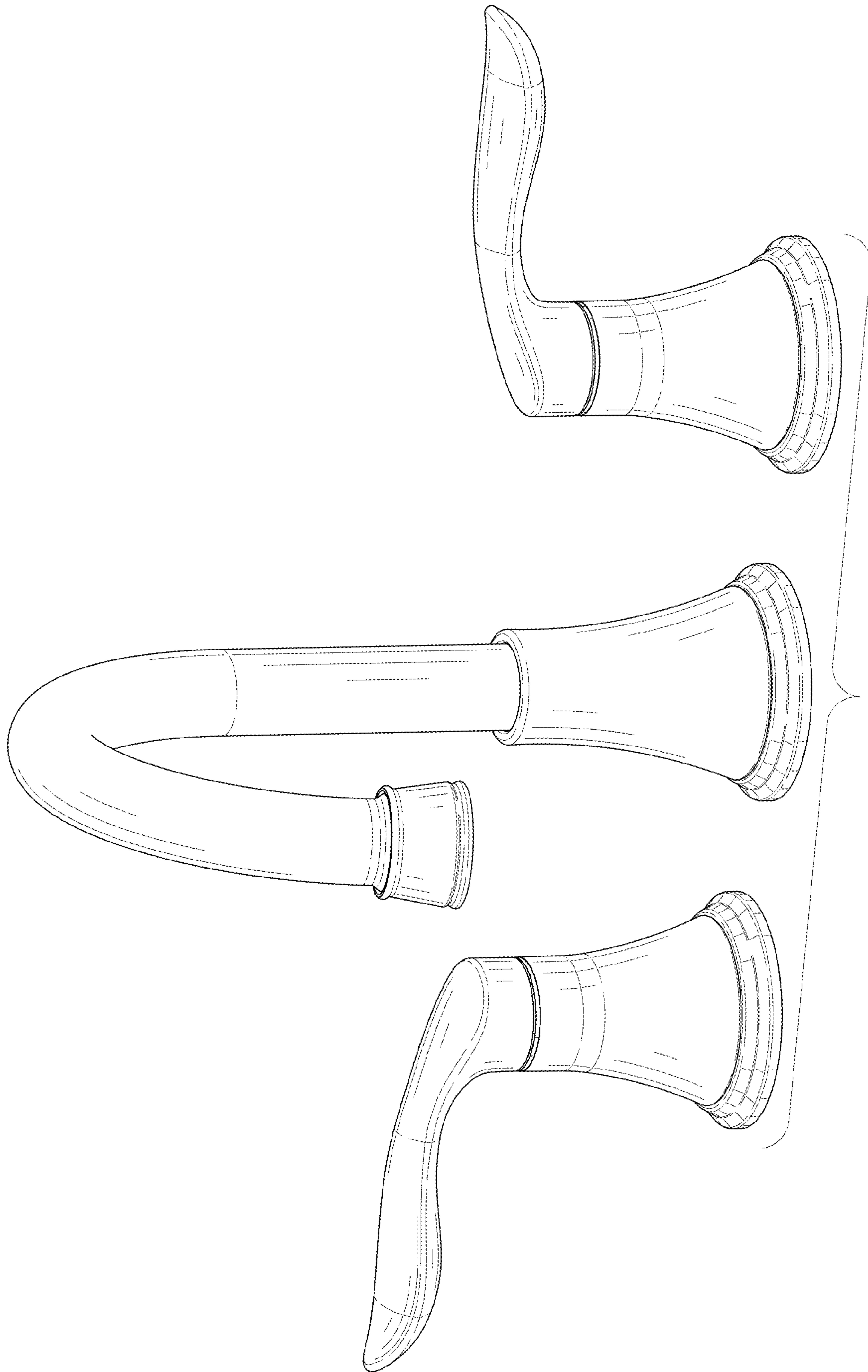


FIG. 10

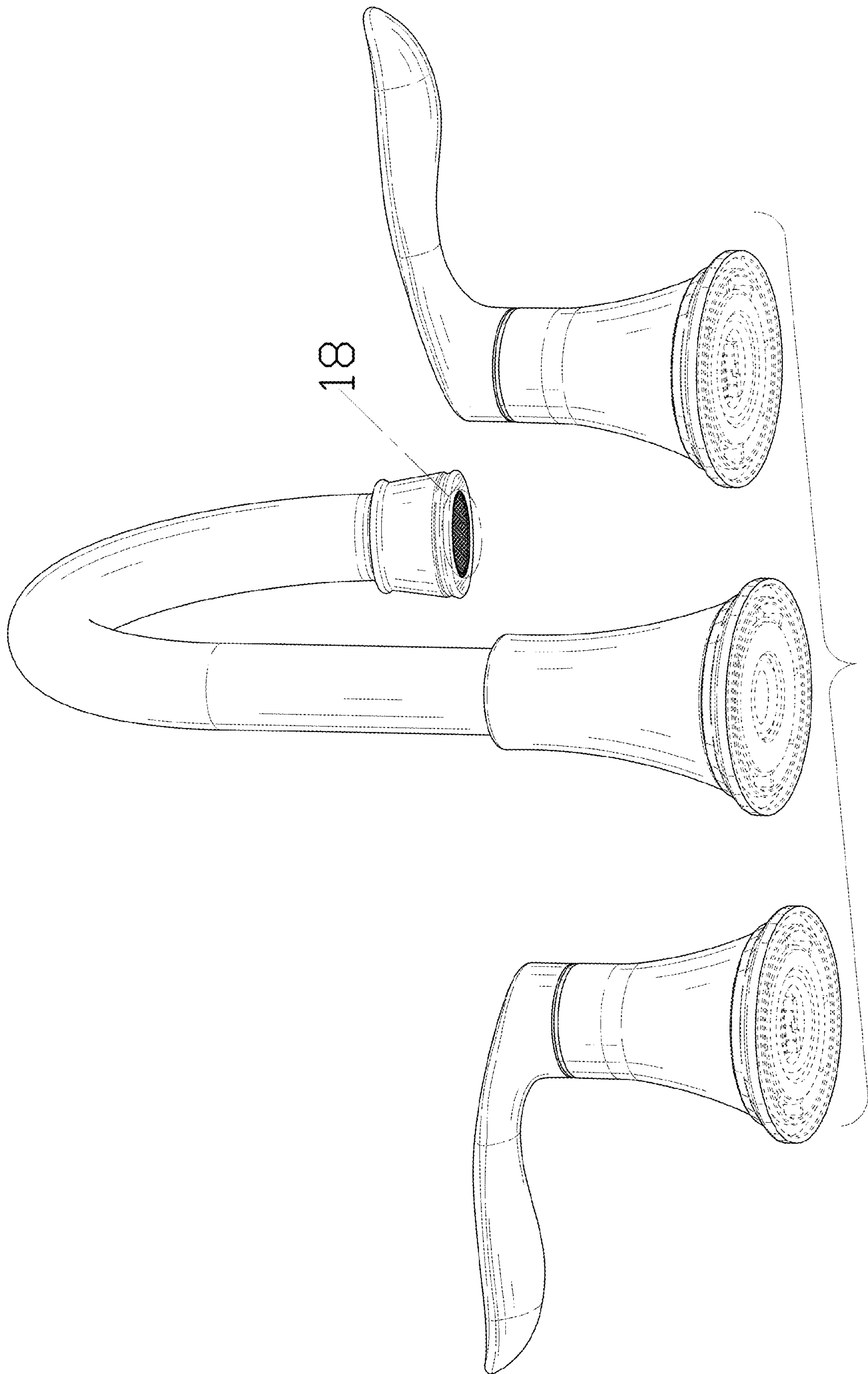


FIG. 11

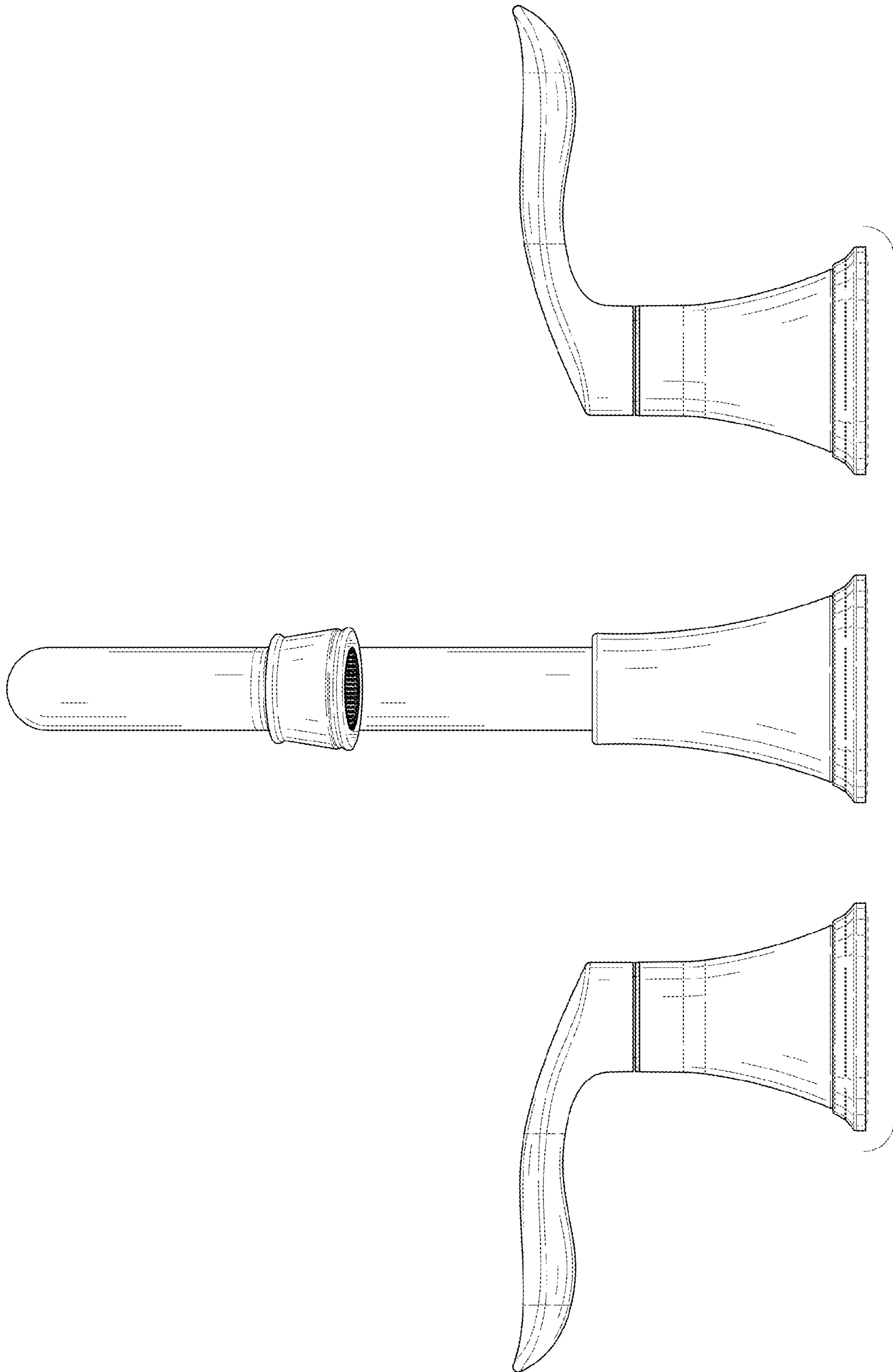


FIG. 12

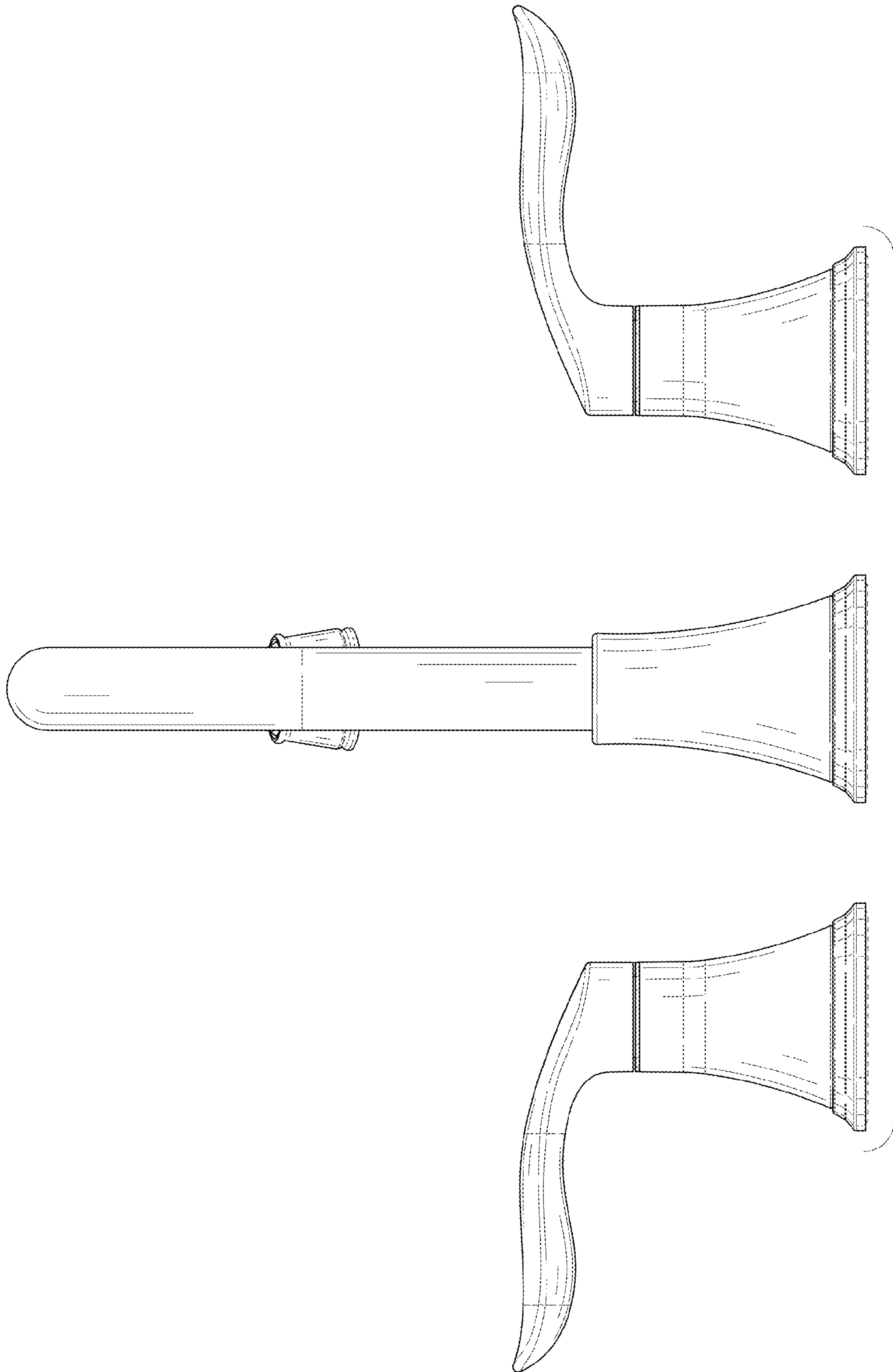


FIG. 13



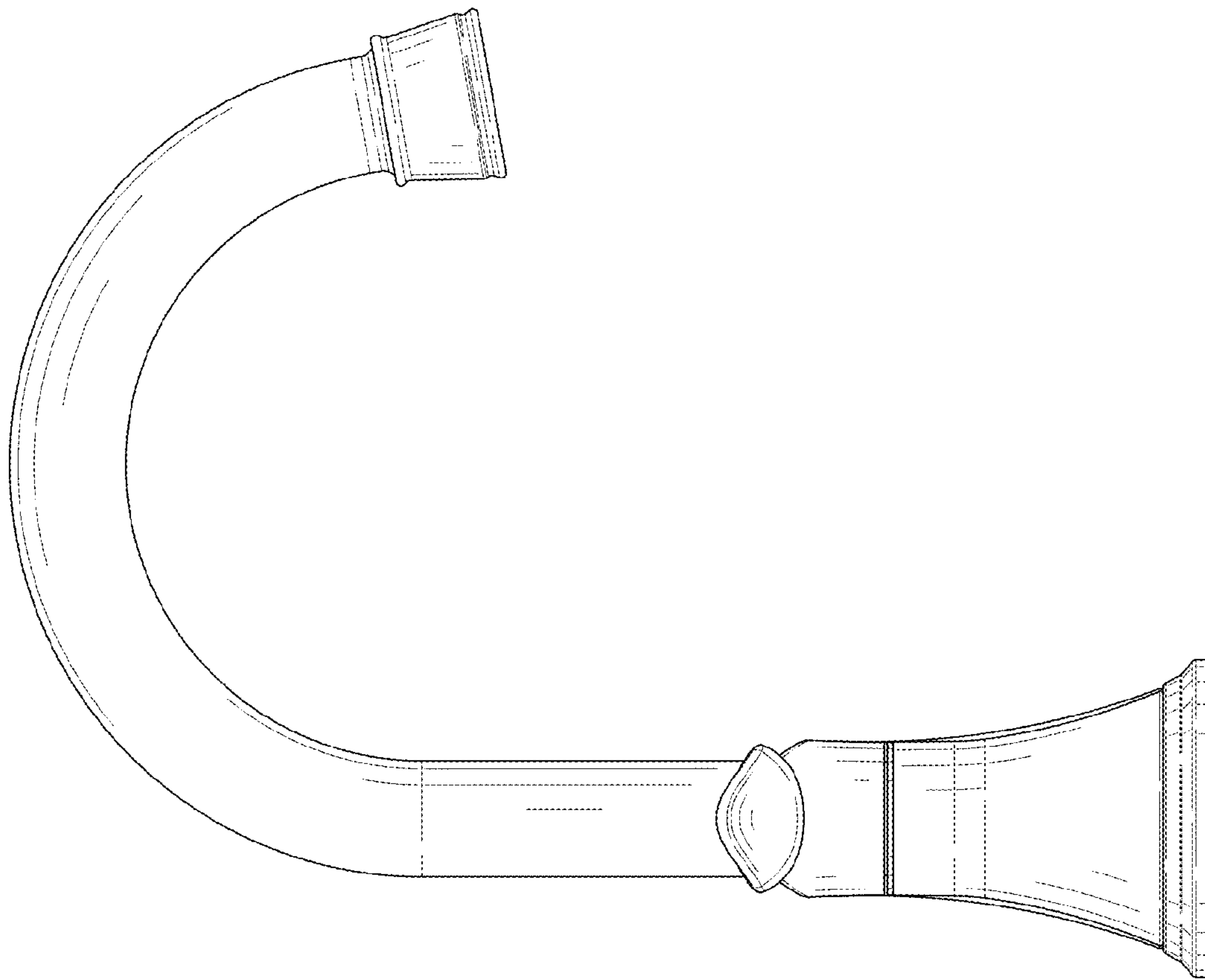


FIG. 14

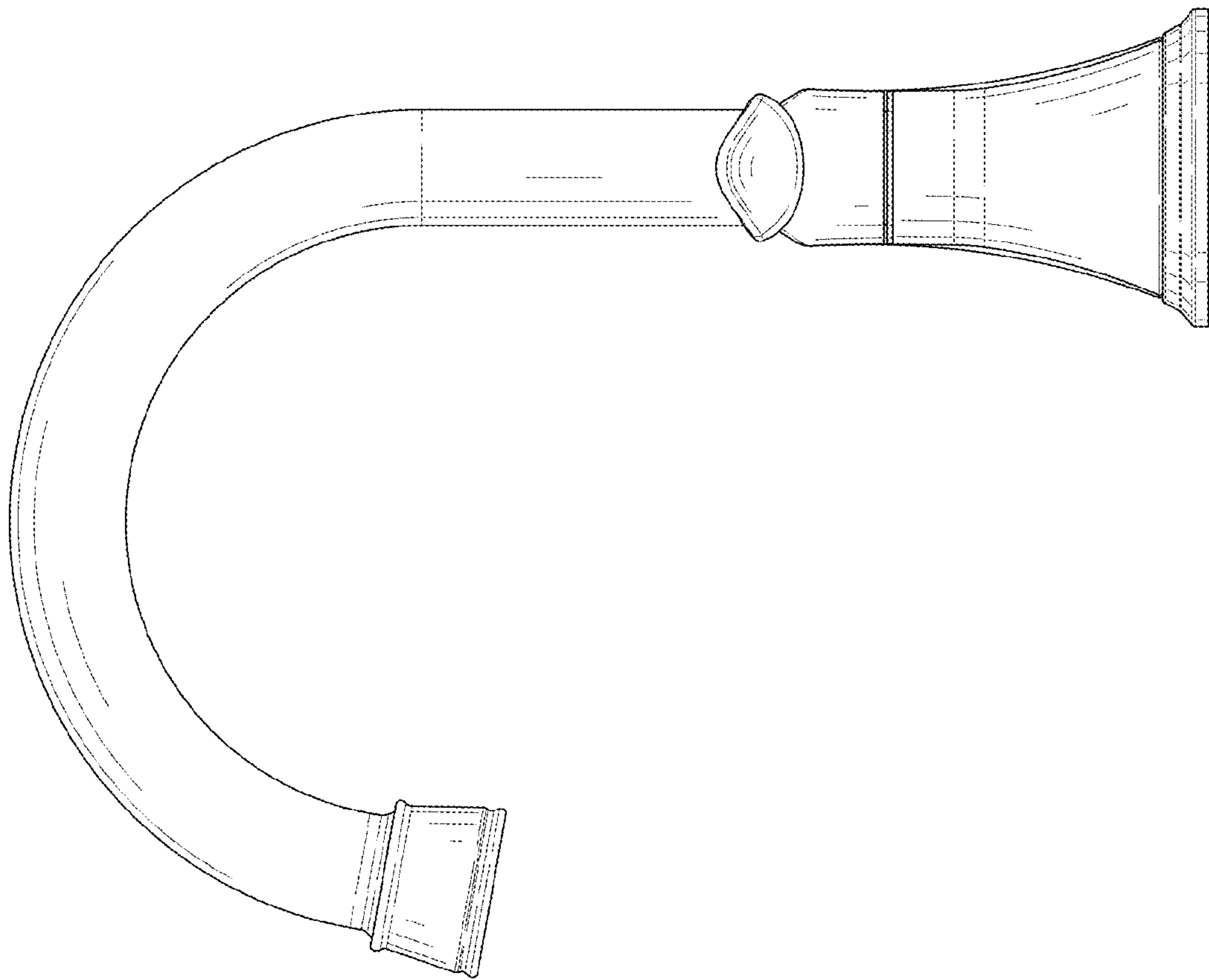


FIG. 15

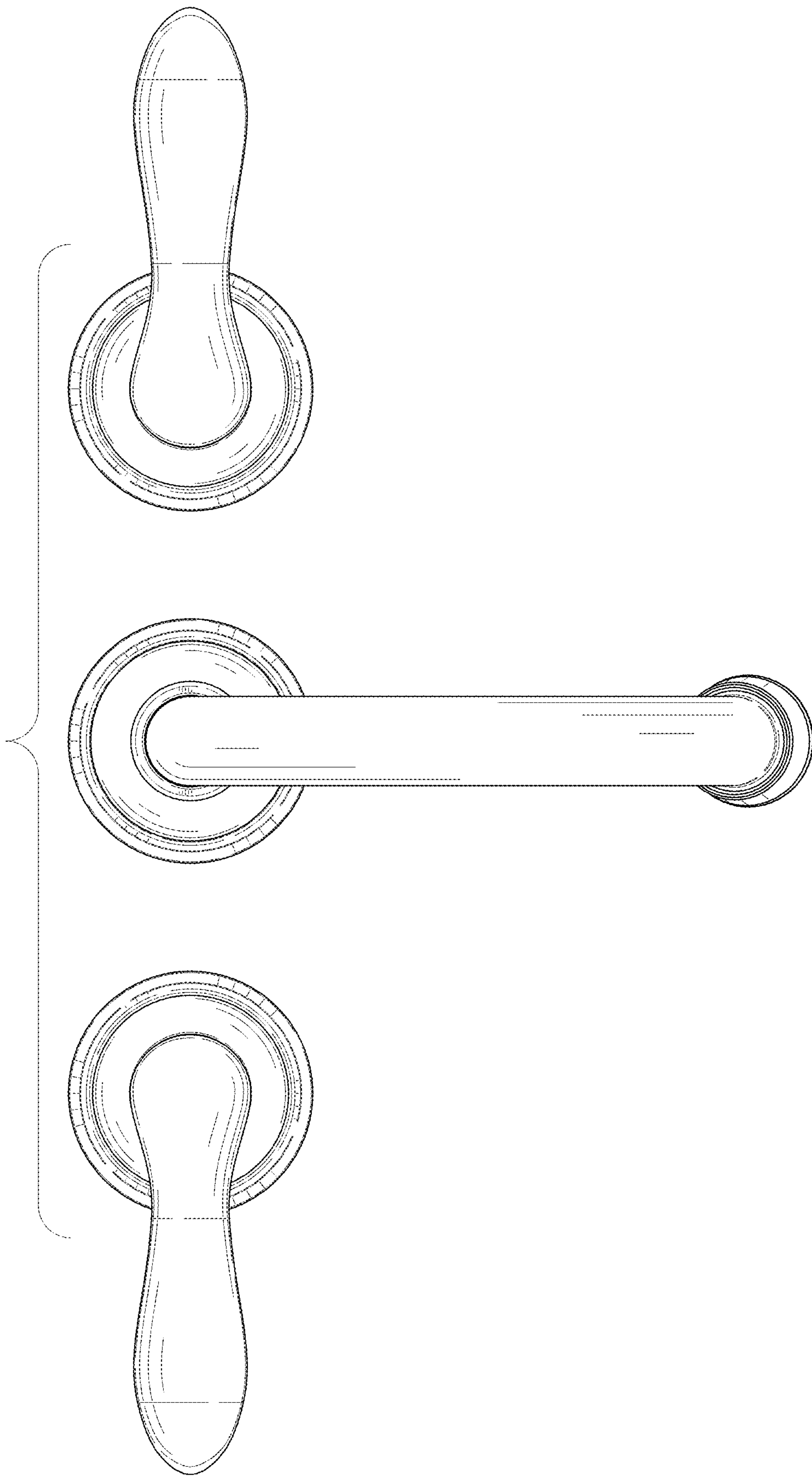


FIG. 16

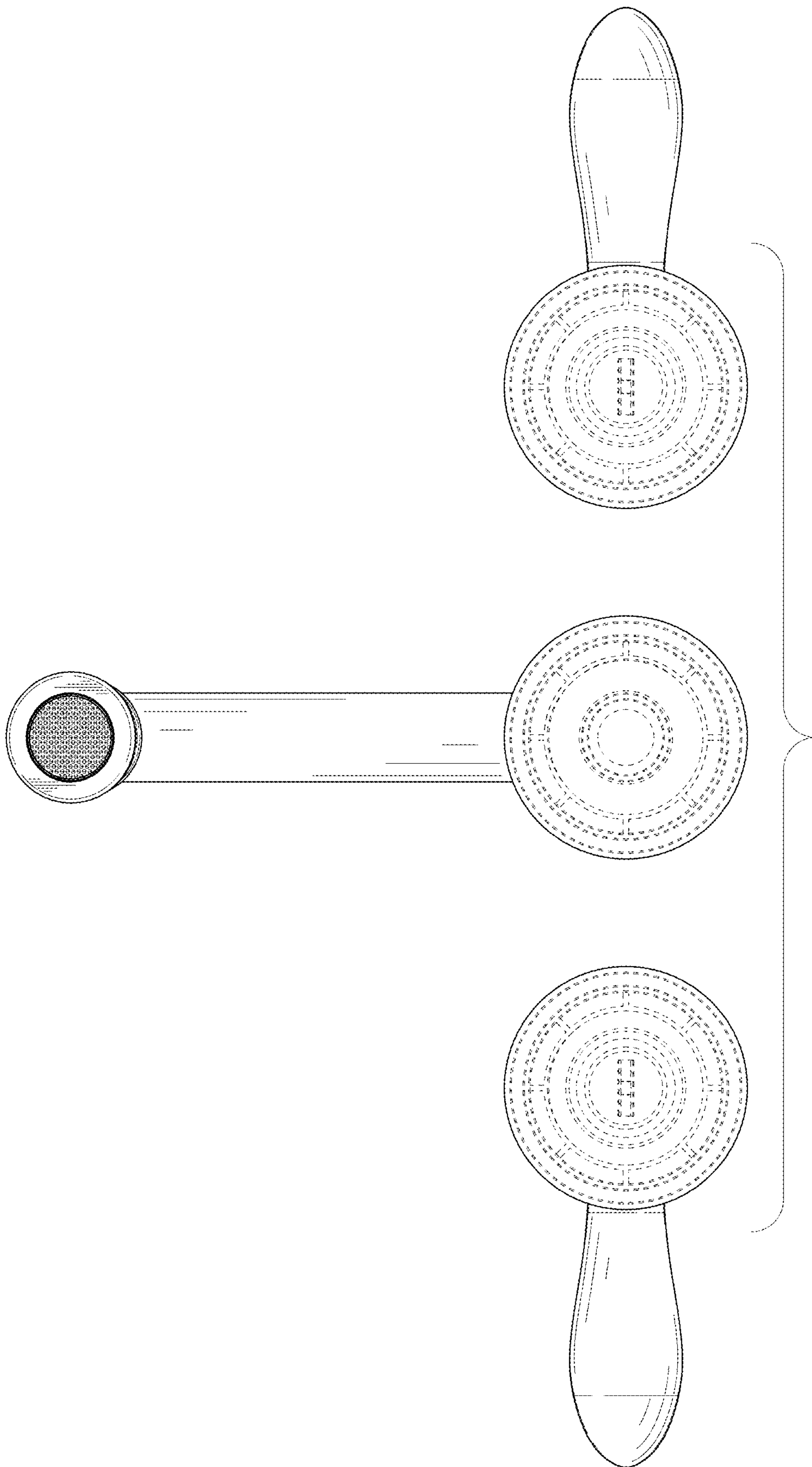


FIG. 17

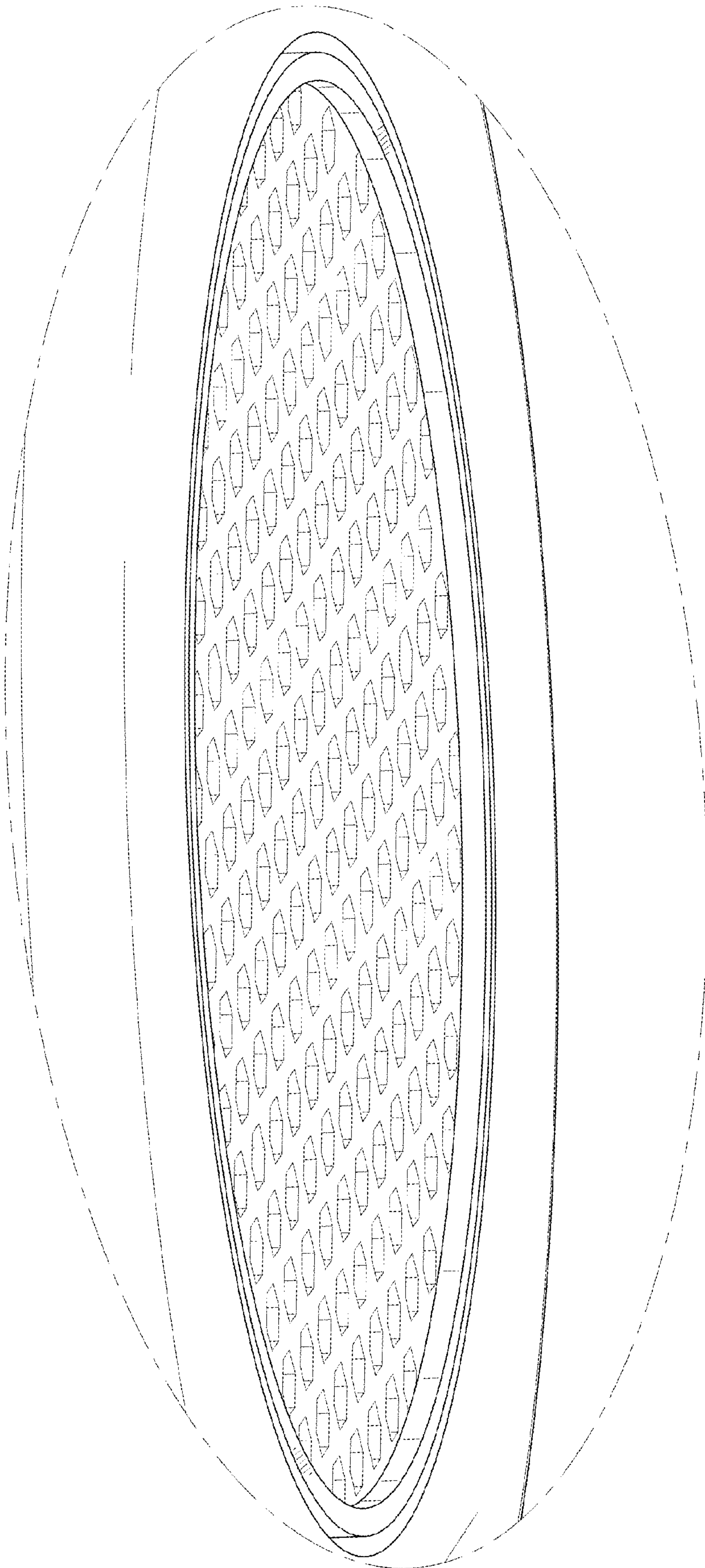


FIG. 18