

US00D967934S

(12) **United States Design Patent**
Kulig

(10) **Patent No.:** **US D967,934 S**

(45) **Date of Patent:** **** Oct. 25, 2022**

(54) **SINGLE HOLE FAUCET**

(71) Applicant: **Graff Faucets**, Milwaukee, WI (US)

(72) Inventor: **Zbigniew Kulig**, Wadsworth, IL (US)

(73) Assignee: **Graff Faucets**, Milwaukee, WI (US)

(**) Term: **15 Years**

(21) Appl. No.: **29/762,235**

(22) Filed: **Dec. 15, 2020**

(51) **LOC (13) Cl.** **23-01**

(52) **U.S. Cl.**
USPC **D23/238**

(58) **Field of Classification Search**
USPC D23/238, 239, 240, 241, 242, 243, 246,
D23/247, 249, 250, 251, 252, 253, 254,
D23/255, 256, 257
CPC E03C 1/01; E03C 1/0409; E03C 1/025;
E03C 1/0408; E03C 1/04; E03C 1/0401;
E03C 1/0402; E03C 1/0405; E03C
1/0412; Y10T 137/5339; Y10T 137/6014;
Y10T 137/6021

See application file for complete search history.

(56) **References Cited**

U.S. PATENT DOCUMENTS

D580,014 S	*	11/2008	Citterio	D23/238
D581,023 S	*	11/2008	Citterio	D23/252
D605,261 S	*	12/2009	Allard	D23/255
D607,543 S	*	1/2010	Allard	D23/255
D608,863 S	*	1/2010	Pan	D23/255
D662,181 S	*	6/2012	Thun	D23/238
D787,644 S	*	5/2017	Hong	D23/255
D857,168 S	*	8/2019	Soulier	D23/238
D936,181 S	*	11/2021	Hoogendoorn	D23/238

D947,997 S	*	4/2022	Goetzen	D23/238
D951,396 S	*	5/2022	Diefenbach	D23/238
2016/0024762 A1	*	1/2016	Hsu	E03C 1/0401 4/619

FOREIGN PATENT DOCUMENTS

CN	201530484632	*	9/2013		
CN	112413223 A	*	2/2021	C02F 1/32
DE	102018118334 A1	*	1/2020		
WO	WO-2016072949 A1	*	5/2016	E03C 1/0412

OTHER PUBLICATIONS

Amazon, Gudetap Bathroom Faucet Brushed Nickel Sink Single Handle, posted Dec. 4, 2020, [online], [visited Jun. 10, 2022]. Internet, <URL: <https://www.amazon.co.uk/Bathroom-Commercial-Lavatory-Gudetap-GT7897NH/dp/B08PP94ST2/ref>> (Year: 2020).*
Amazon, kisimixer Black Bathroom Tap, posted Jul. 7, 2020, [online], [visited Jun. 14, 2022]. Internet, <URL: <https://www.amazon.co.uk/dp/B08CHF4VLY/ref>> (Year: 2020).*

(Continued)

Primary Examiner — Samantha Wood
(74) *Attorney, Agent, or Firm* — Defillo & Associates, Inc.; Evelyn A. Defillo

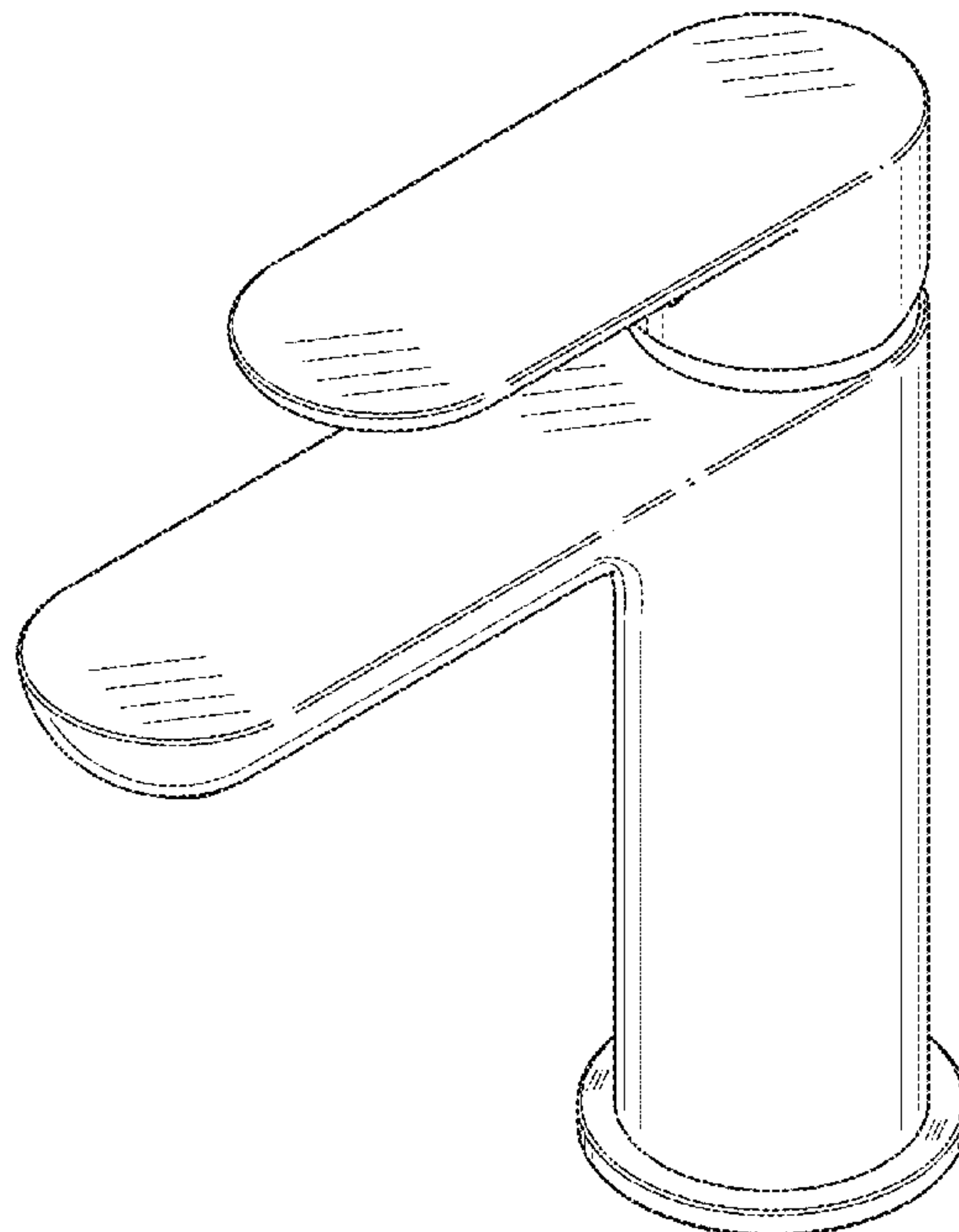
(57) **CLAIM**

The ornamental design of a single hole faucet, as shown and described.

DESCRIPTION

FIG. 1 is a perspective front view of a single hole faucet according to the present invention;
FIG. 2 is a front view of the single hole faucet of FIG. 1;
FIG. 3 is a back view of the single hole faucet of FIG. 1;
FIG. 4 is a side view of the single hole faucet of FIG. 1; and,
FIG. 5 is a top view of the single hole faucet of FIG. 1.

1 Claim, 5 Drawing Sheets



(56)

References Cited

OTHER PUBLICATIONS

Amazon, NEWRAIN Bathroom Sink Mixer Tap, posted Nov. 10, 2020, [online], [visited Jun. 14, 2022]. Internet, <URL: <https://www.amazon.co.uk/dp/B08N3X916K/ref>> (Year: 2020).*

Amazon, Ibergrif Star Single lever Bathroom Mixer, posted Nov. 18, 2019, [online], [visited Jun. 14, 2022]. Internet, <URL: <https://www.amazon.co.uk/Ibergrif-M11057-Single-Bathroom-Chrome/dp/B081HF3P11/ref?th=1>> (Year: 2019).*

* cited by examiner

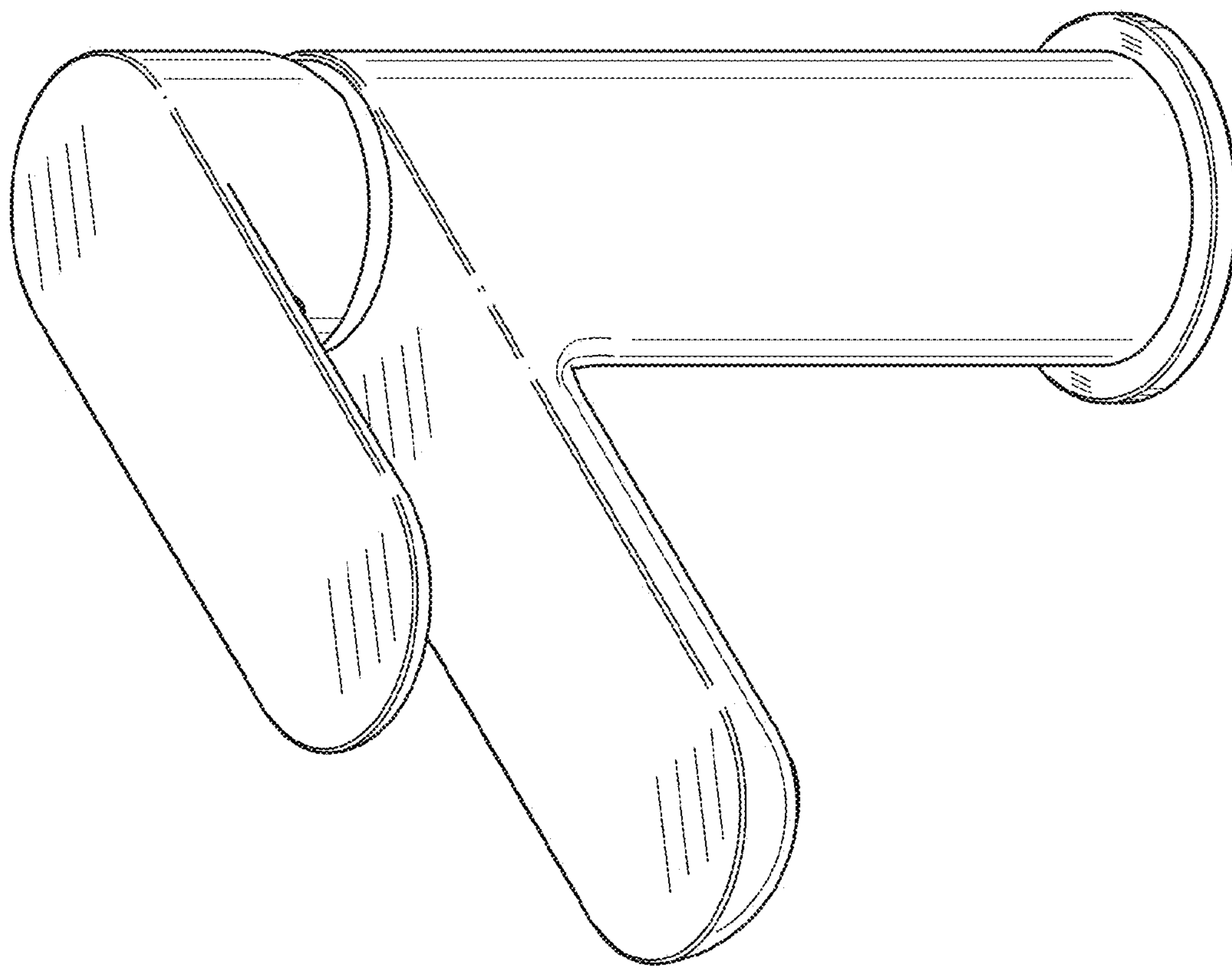


FIG. 1

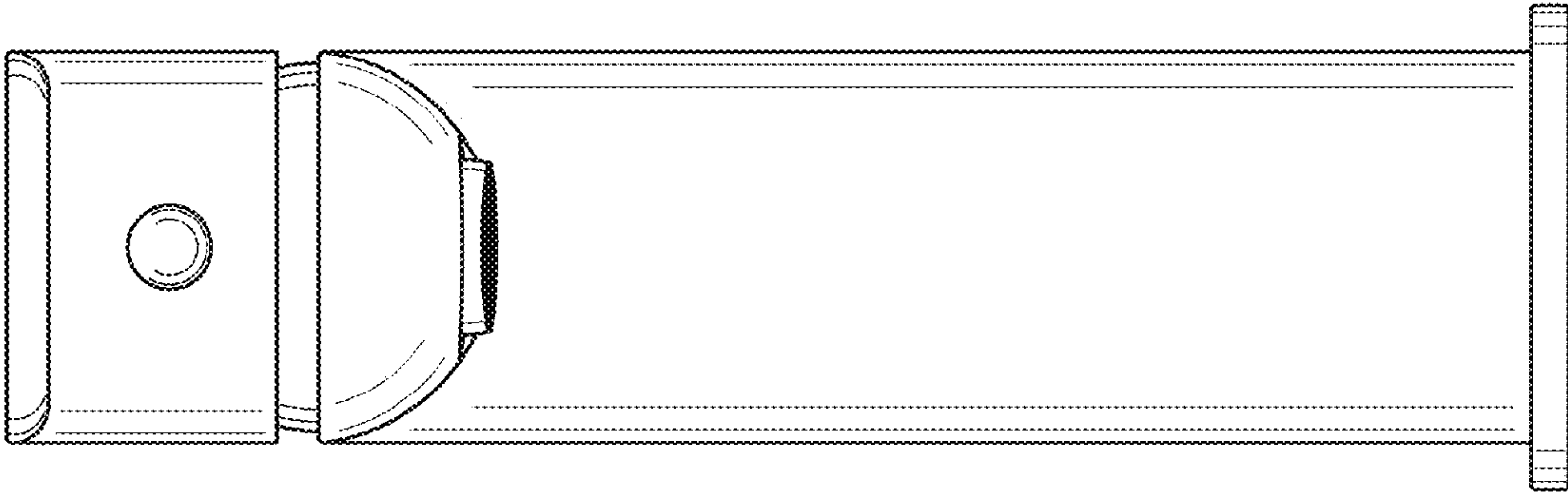


FIG. 2

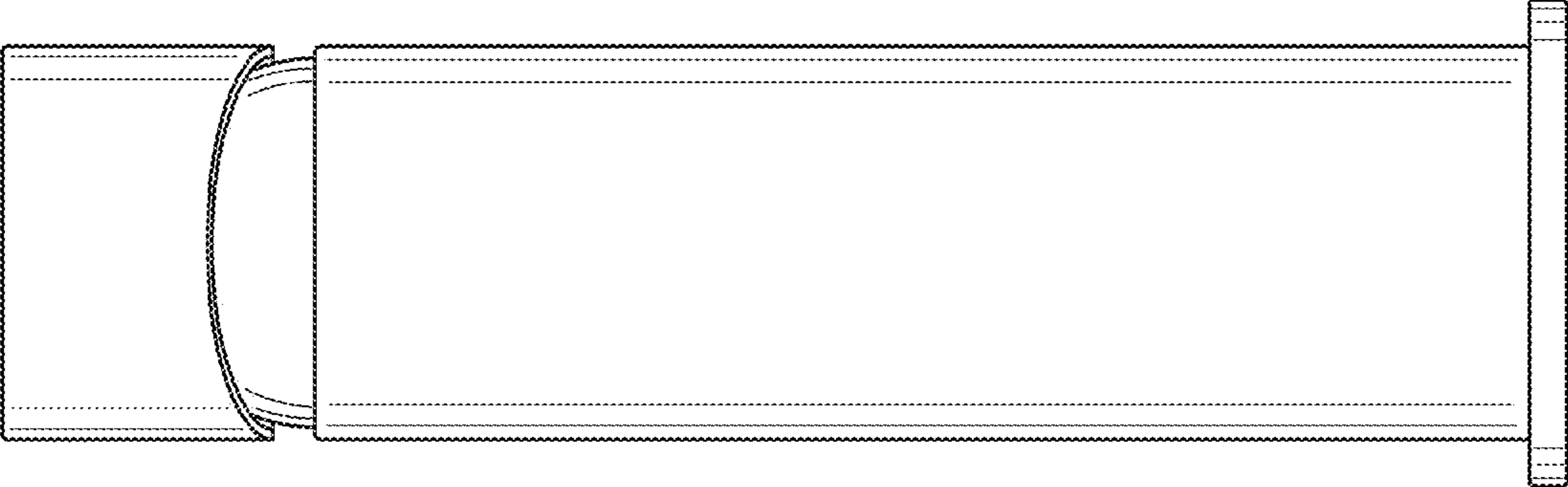


FIG. 3

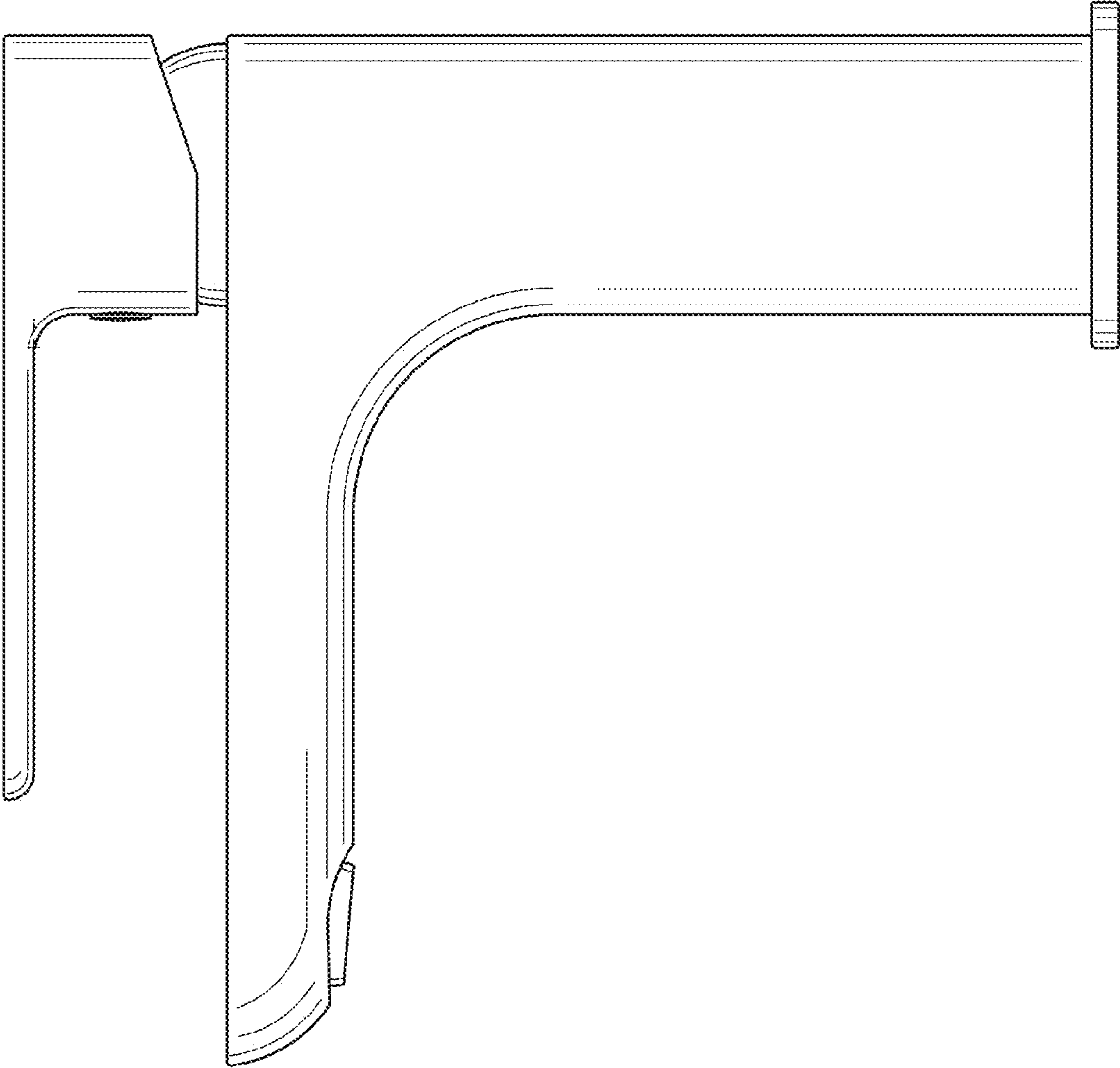


FIG. 4

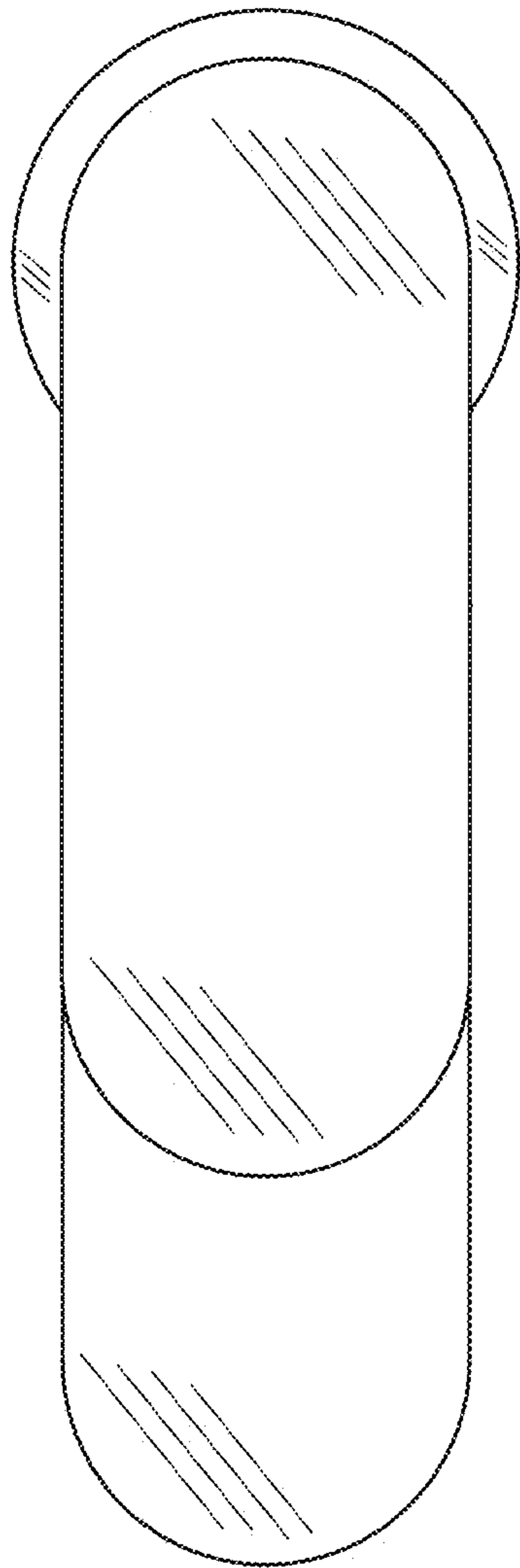


FIG. 5