



US00D967933S

(12) **United States Design Patent**
Johnson

(10) **Patent No.:** **US D967,933 S**

(45) **Date of Patent:** **** Oct. 25, 2022**

(54) **FAUCET**

(71) Applicant: **Kohler Co.**, Kohler, WI (US)

(72) Inventor: **Drew Johnson**, Sheboygan, WI (US)

(73) Assignee: **KOHLER CO.**, Kohler, WI (US)

(**) Term: **15 Years**

(21) Appl. No.: **29/730,777**

(22) Filed: **Apr. 8, 2020**

(51) **LOC (13) Cl.** **23-01**

(52) **U.S. Cl.**
USPC **D23/238; D23/255**

(58) **Field of Classification Search**
USPC D23/257, 249, 233, 238, 239, 240, 241,
D23/242, 243, 250, 251, 252, 253, 254,
D23/255, 259

(Continued)

(56) **References Cited**

U.S. PATENT DOCUMENTS

D332,135 S * 12/1992 Bonnell D8/308
D433,737 S * 11/2000 Milrud D23/250

(Continued)

FOREIGN PATENT DOCUMENTS

CN 201030699111 * 12/2010
CN 202030438756.0 * 8/2020

(Continued)

OTHER PUBLICATIONS

Amazon, Pioneer Faucets Motegi Collection 2MT161H Single Handle Kitchen Faucet, posted Nov. 11, 2011, [online], [visited Jan. 24, 2022]. Internet, <URL: <https://www.amazon.co.uk/Pioneer-Faucets-Collection-2MT161H-Polished/dp/B00BBA9QGC/ref>> (Year: 2011).*

(Continued)

Primary Examiner — Samantha Wood

(74) *Attorney, Agent, or Firm* — Foley & Lardner LLP

(57) **CLAIM**

I claim the ornamental design for a faucet, as shown and described.

DESCRIPTION

FIG. 1 is a perspective view of an embodiment of the claimed design;

FIG. 2 is a front view of the claimed design shown in FIG. 1;

FIG. 3 is a rear view of the claimed design shown in FIG. 1;

FIG. 4 is a side view of the claimed design shown in FIG. 1;

FIG. 5 is another side view of the claimed design shown in FIG. 1;

FIG. 6 is a top view of the claimed design shown in FIG. 1;

FIG. 7 is a bottom view of the claimed design shown in FIG. 1;

FIG. 8 is a perspective view of another embodiment of the claimed design;

FIG. 9 is a front view of the claimed design shown in FIG. 8;

FIG. 10 is a rear view of the claimed design shown in FIG. 8;

FIG. 11 is a side view of the claimed design shown in FIG. 8;

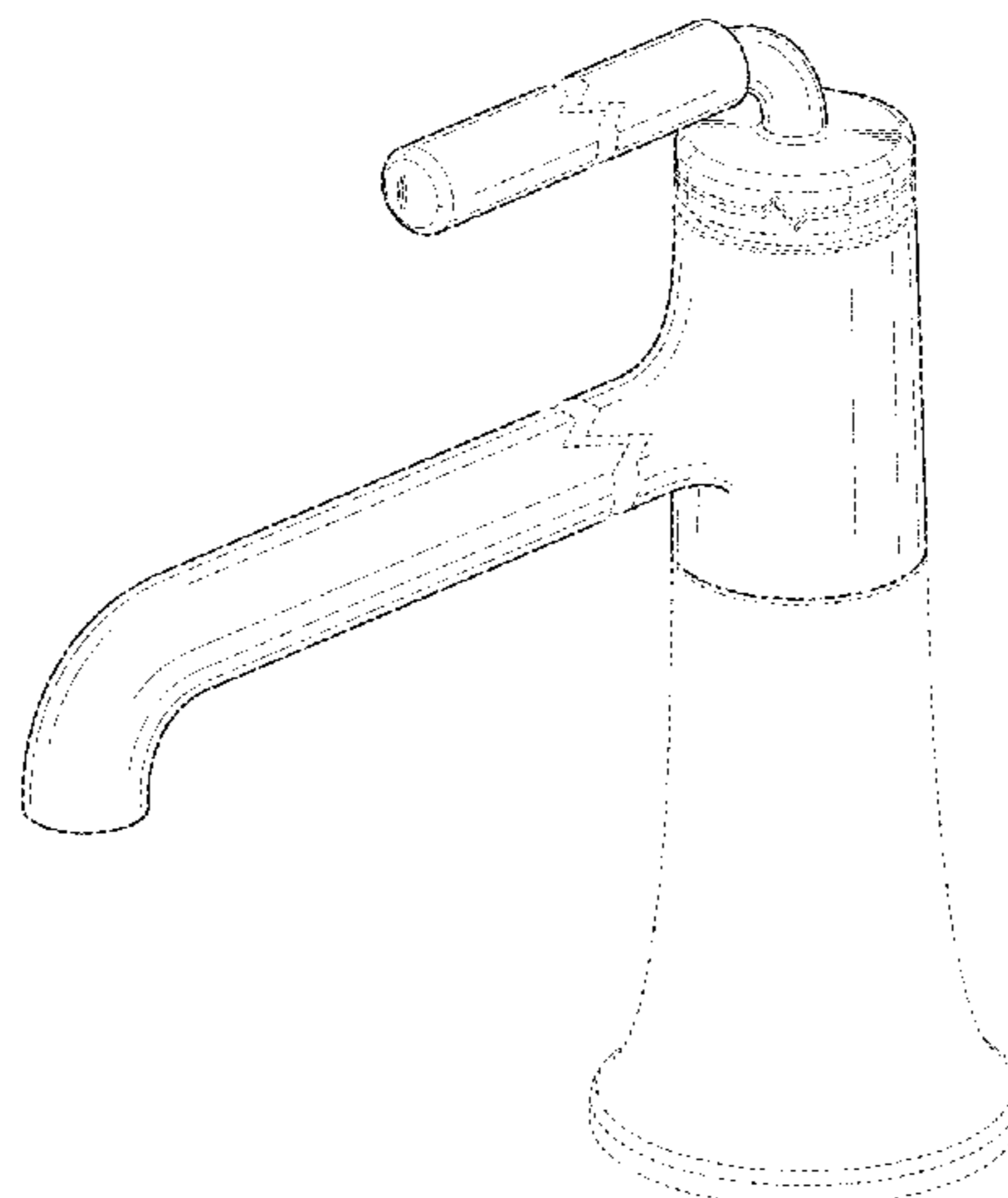
FIG. 12 is another side view of the claimed design shown in FIG. 8;

FIG. 13 is a top view of the claimed design shown in FIG. 8; and,

FIG. 14 is a bottom view of the claimed design shown in FIG. 8.

The ornamental design that is claimed is shown in the drawings as solid lines and surfaces having surface shading. The broken lines are included for the purpose of illustrating portions of the article and form no part of the claimed design. The uneven dashed lines are included for the purpose of defining the boundaries between claimed and unclaimed portions of the article and form no part of the claimed design. The faucet is shown with a symbolic break in its

(Continued)



length. The appearance of any portion of the article between the break lines forms no part of the claimed design.

1 Claim, 10 Drawing Sheets

(58) Field of Classification Search

CPC E03C 1/01; E03C 1/0409; E03C 1/025;
E03C 1/0408; E03C 1/04; E03C 1/0401;
E03C 1/0402; E03C 1/0405; E03C
1/0412; Y10T 137/5339; Y10T 137/6014;
Y10T 137/6021

See application file for complete search history.

(56) References Cited

U.S. PATENT DOCUMENTS

D464,406 S * 10/2002 Gottwald D23/255
D482,757 S * 11/2003 Blomstrom D23/252
D483,093 S * 12/2003 Bates D23/252
D489,432 S * 5/2004 Lammel D23/255
D531,267 S 10/2006 Hundley
D564,634 S * 3/2008 Kirar D23/255
D566,817 S * 4/2008 Isaacs D23/255
D602,125 S 10/2009 Montgomery et al.
D615,622 S * 5/2010 Pan D23/238
D635,220 S 3/2011 Rubin et al.
D636,850 S * 4/2011 Shieh D23/238
D646,356 S * 10/2011 Flowers D23/238
D646,757 S * 10/2011 Gessi D23/238
D666,277 S * 8/2012 Schaefer D23/252
D667,085 S * 9/2012 Shieh D23/238
D696,385 S * 12/2013 Flowers D23/238
D737,937 S * 9/2015 Flowers D23/238
D752,717 S * 3/2016 Eads D23/238

D755,932 S * 5/2016 Fritz D23/242
D761,940 S * 7/2016 Flowers D23/252
D773,613 S * 12/2016 Flowers D23/238
D796,635 S * 9/2017 Li D23/238
D802,101 S 11/2017 Kirar et al.
D820,399 S * 6/2018 Garland D23/238
D823,989 S 7/2018 Soulier et al.
D828,908 S * 9/2018 Merki D23/238
D829,866 S * 10/2018 Kirar D23/252
D840,507 S * 2/2019 Garland D23/238
D841,129 S * 2/2019 Garland D23/238
D870,242 S * 12/2019 Eads D23/238
D889,606 S * 7/2020 Downey D23/254
D890,303 S * 7/2020 Potter D23/238
D904,575 S * 12/2020 Garland D23/254
D911,492 S * 2/2021 Soulier D23/238
D912,773 S * 3/2021 Sieger D23/238
D913,430 S * 3/2021 Seum D23/238
D919,768 S * 5/2021 Garland D23/255
D921,158 S * 6/2021 Cai D23/238
D935,568 S * 11/2021 Soulier D23/255
2019/0376608 A1 * 12/2019 Tsuruda F16K 27/044

FOREIGN PATENT DOCUMENTS

CN 202030680902.0 * 11/2020
WO WO-D048943-002 * 8/1999
WO WO-2020081034 A1 * 4/2020

OTHER PUBLICATIONS

Amazon, Zchui Single Handle Bathroom Faucet, posted Jul. 4, 2020, [online], [visited Jan. 24, 2022]. Internet, <URL: <https://www.amazon.co.uk/Zchui-Single-Handle-Bathroom-Water-Tap/dp/B08CBTKZCH/ref?th=1> > (Year: 2020).*

* cited by examiner

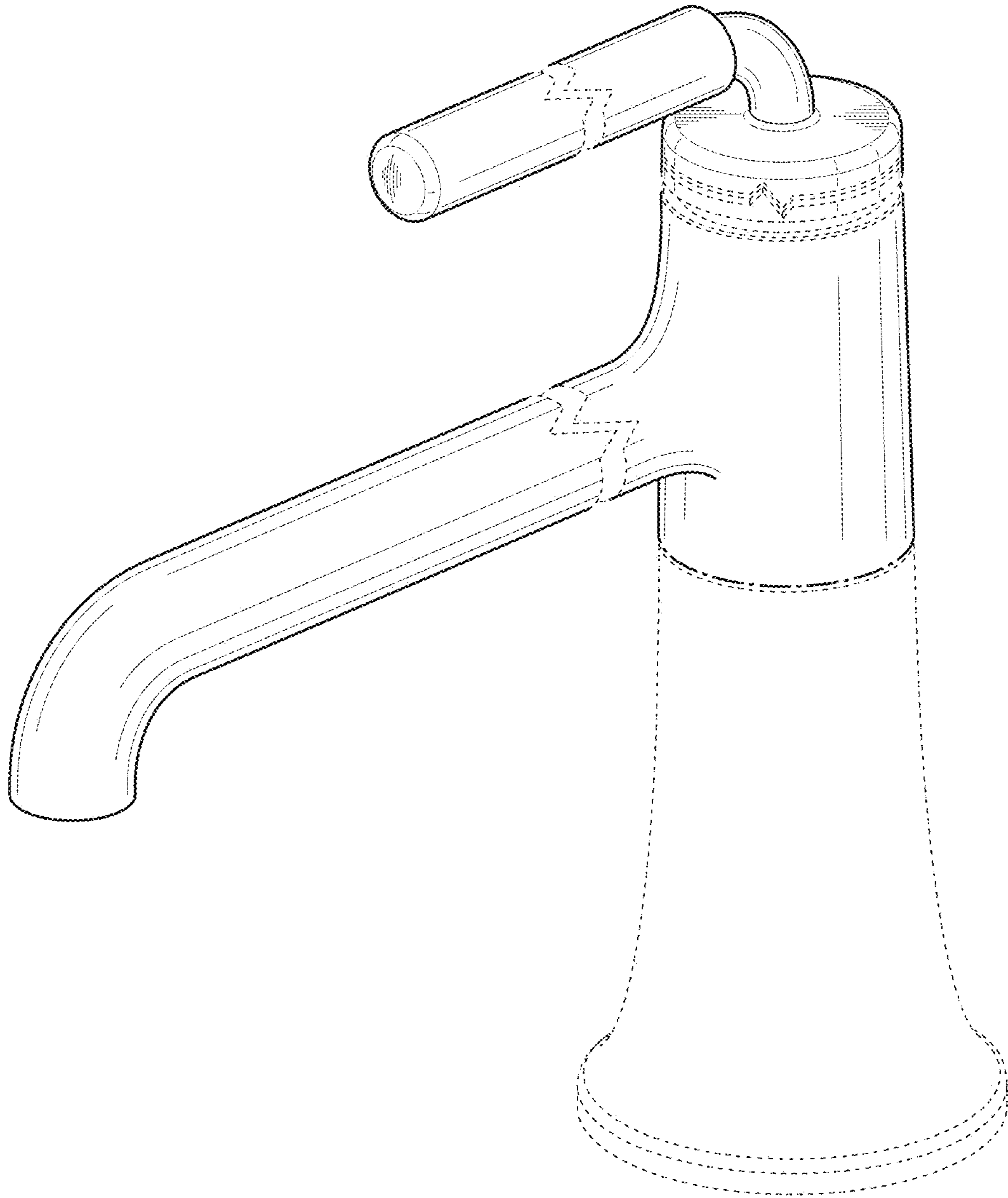


FIG. 1

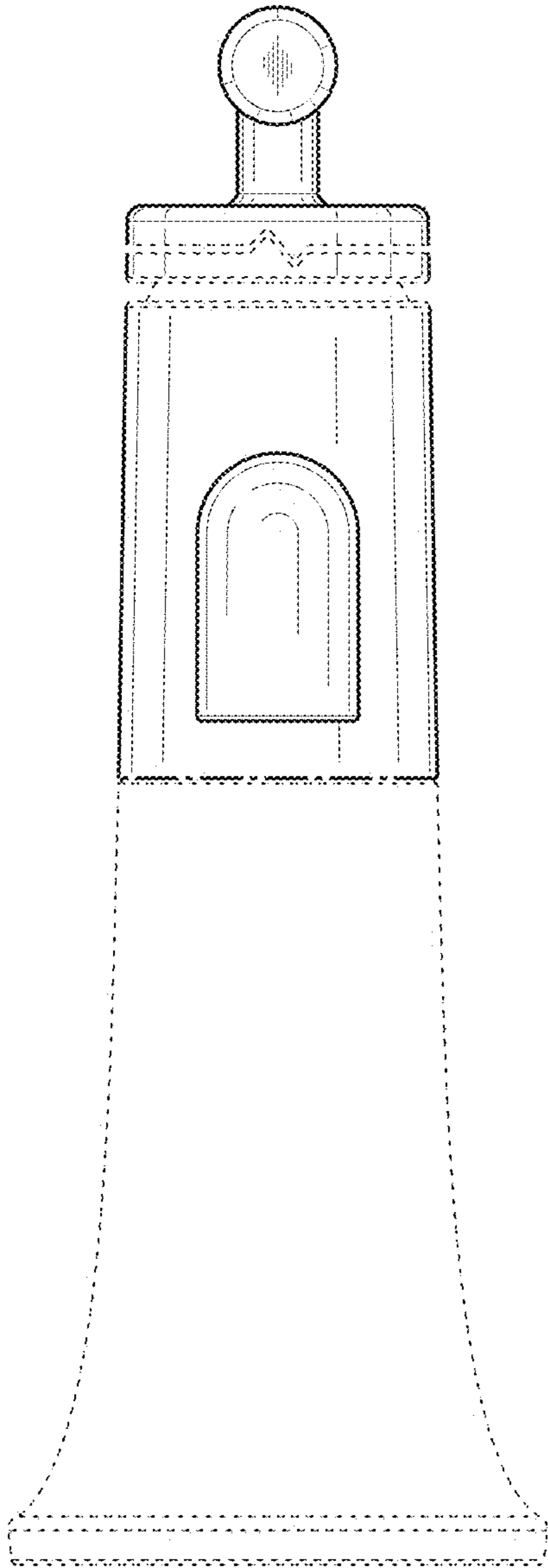


FIG. 2

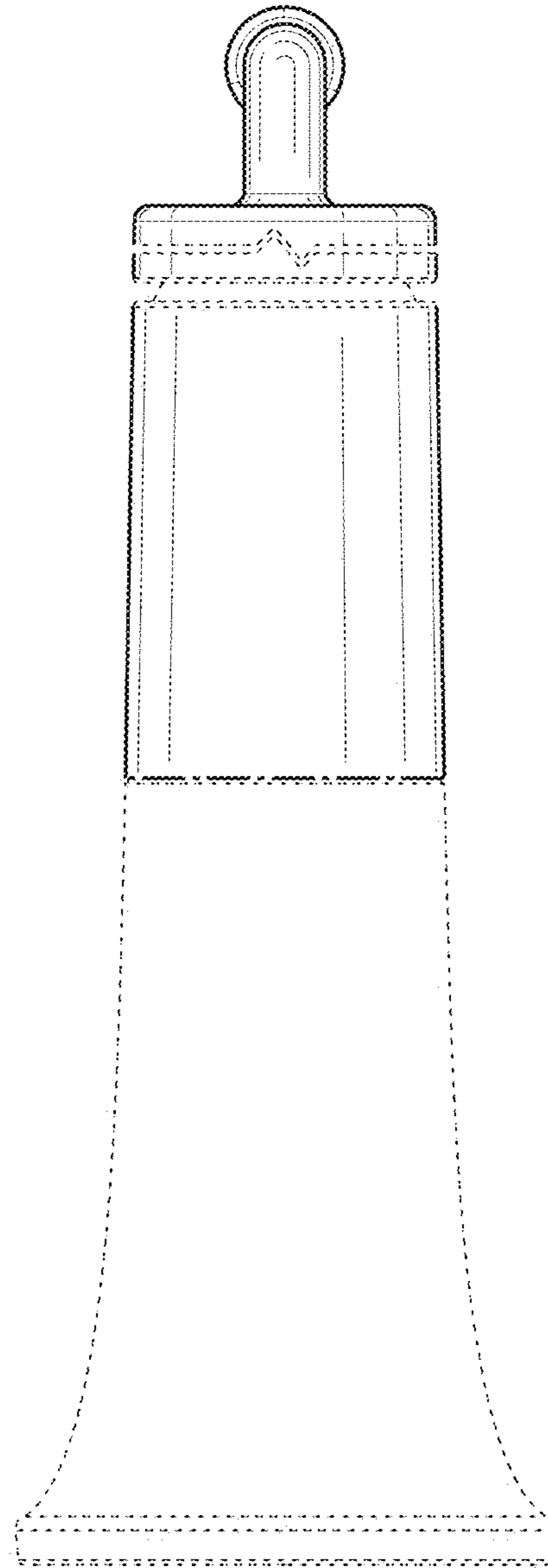


FIG. 3

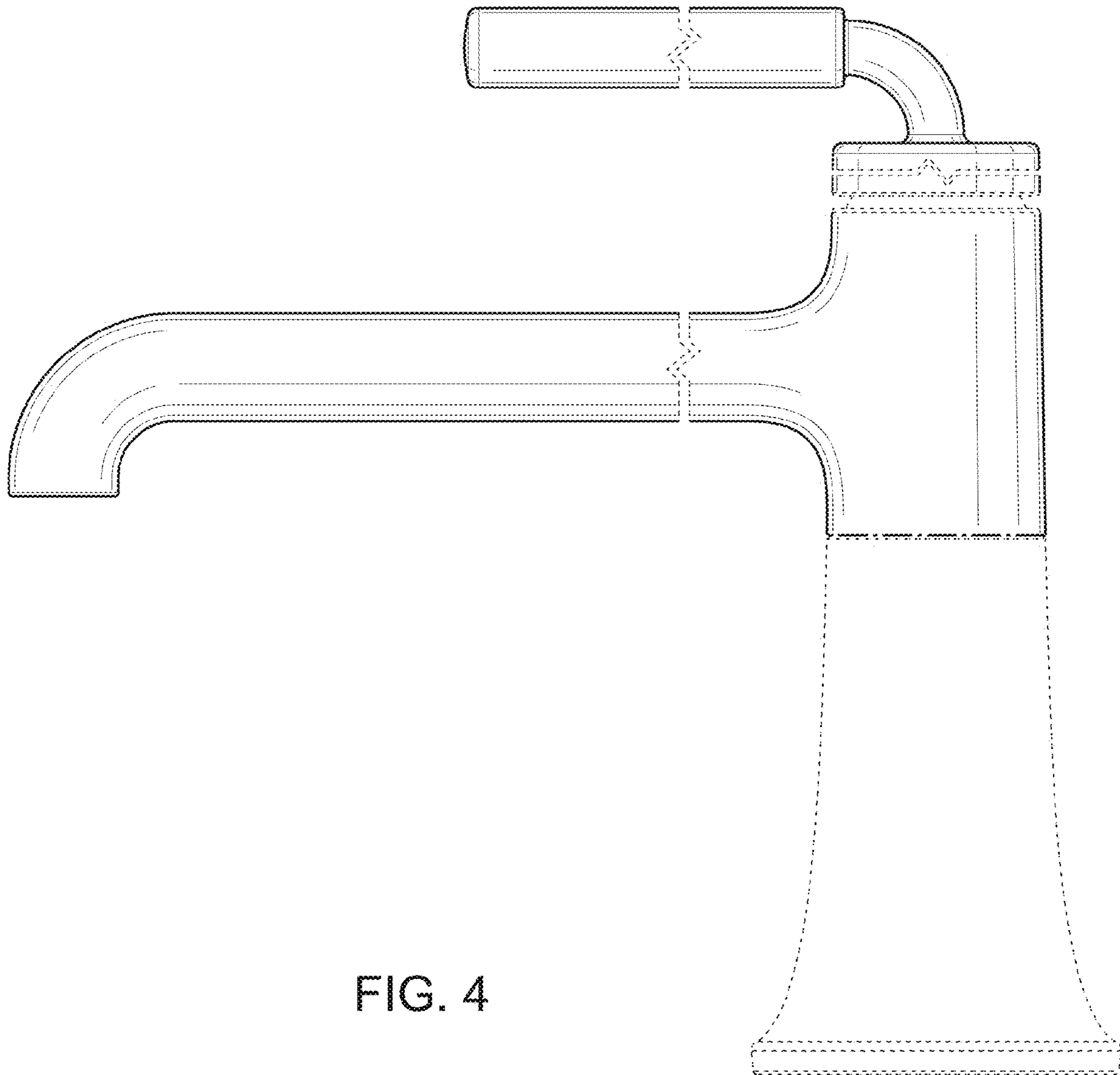


FIG. 4

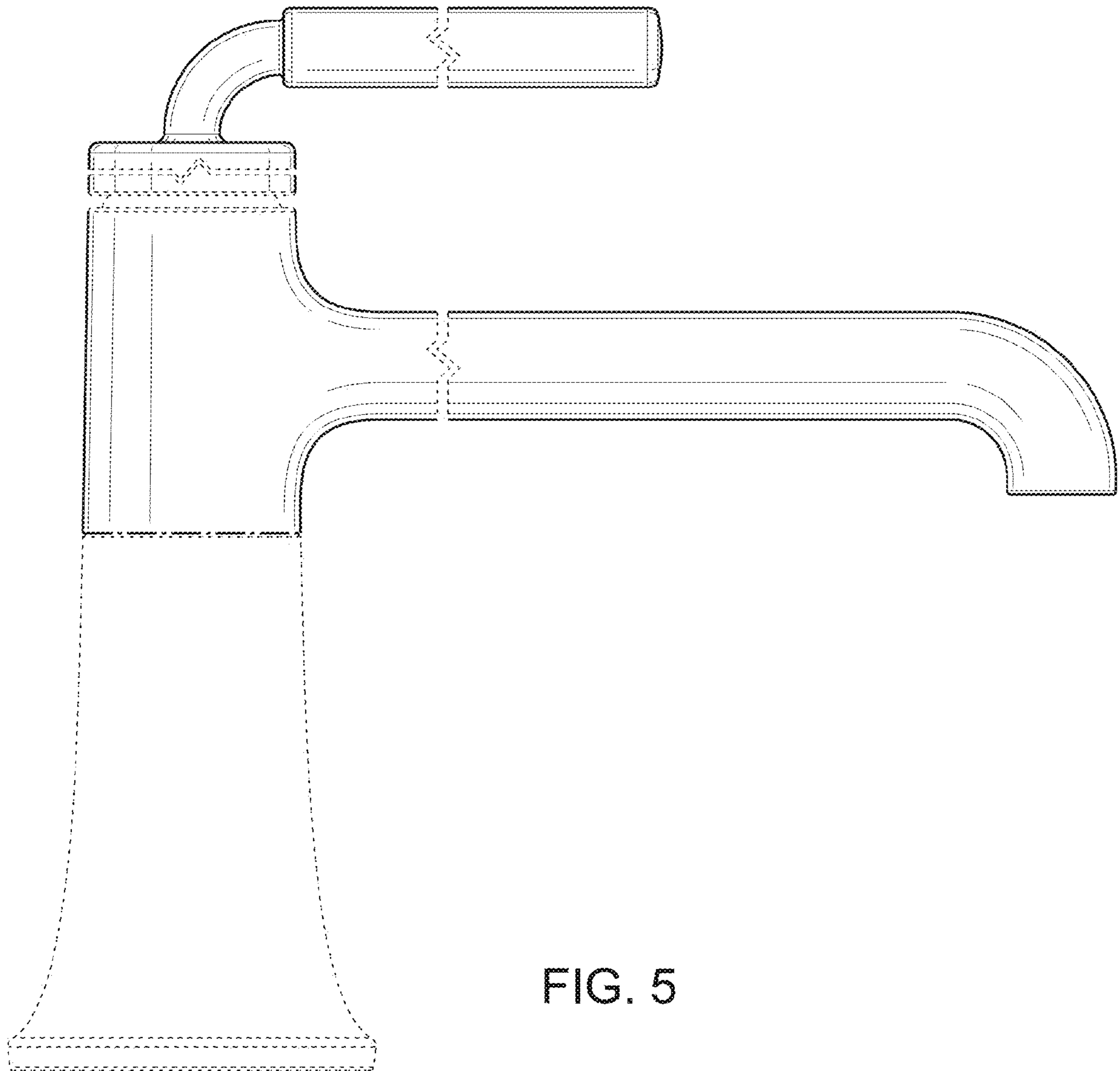


FIG. 5

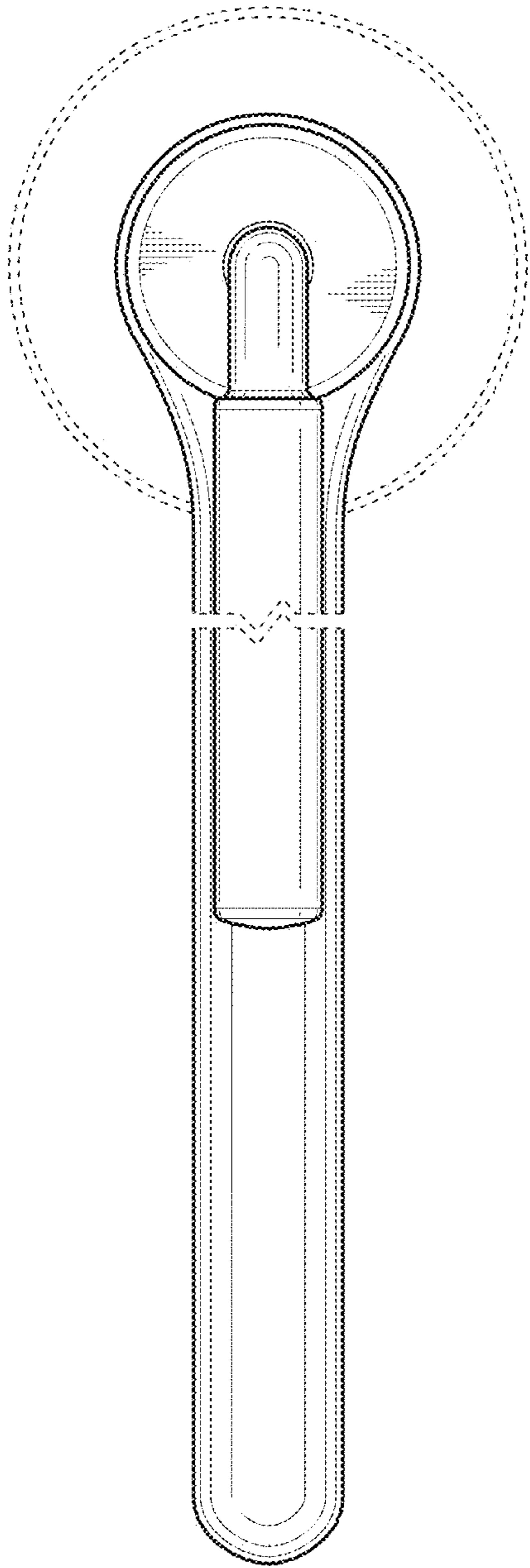


FIG. 6

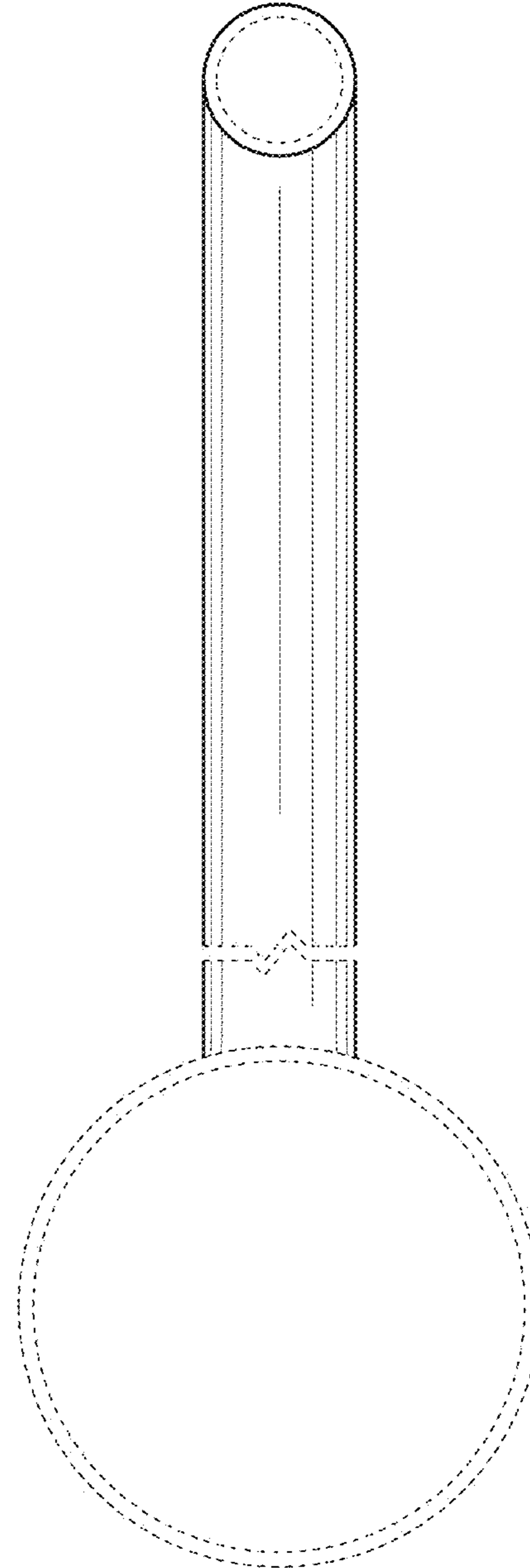


FIG. 7

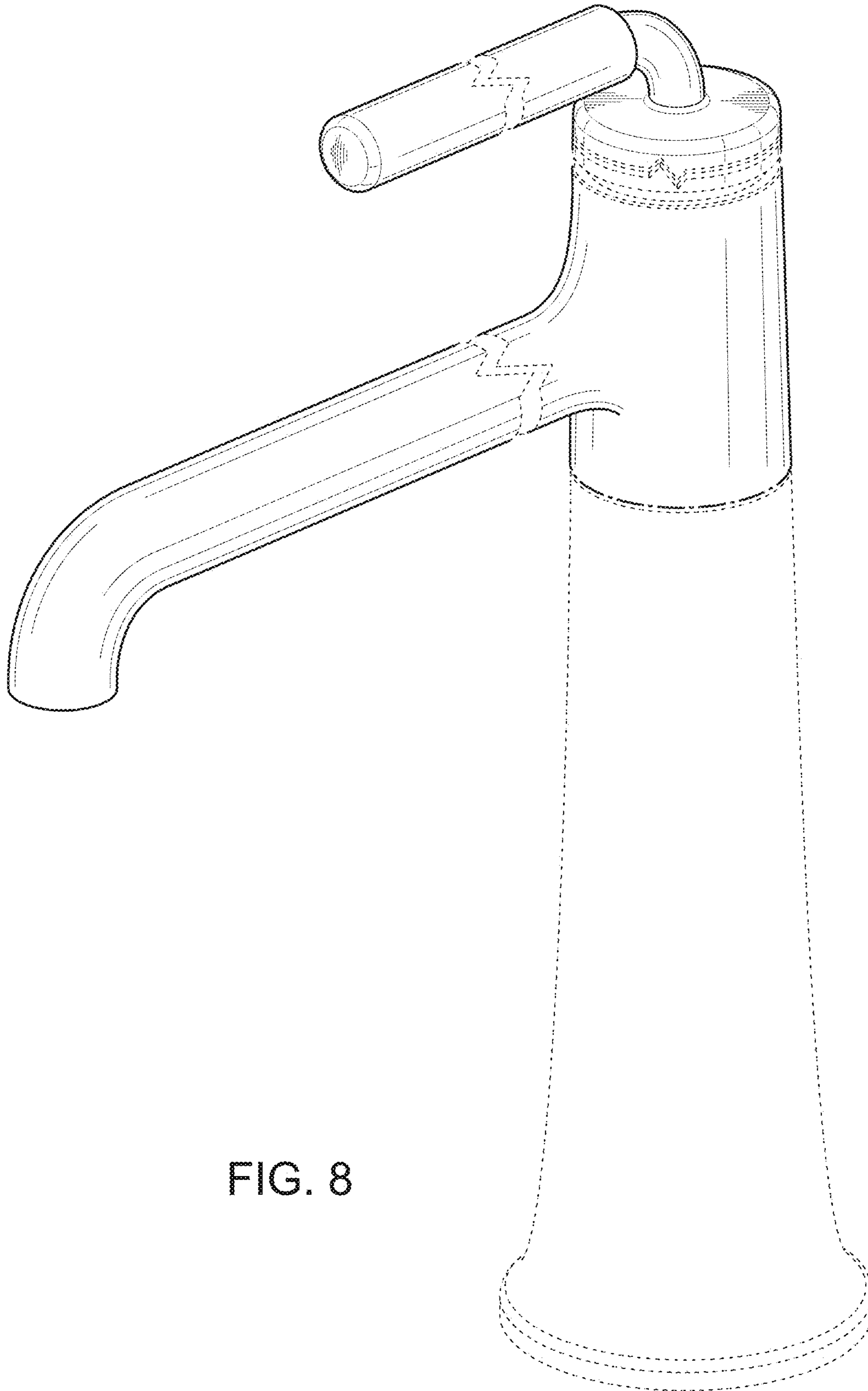


FIG. 8

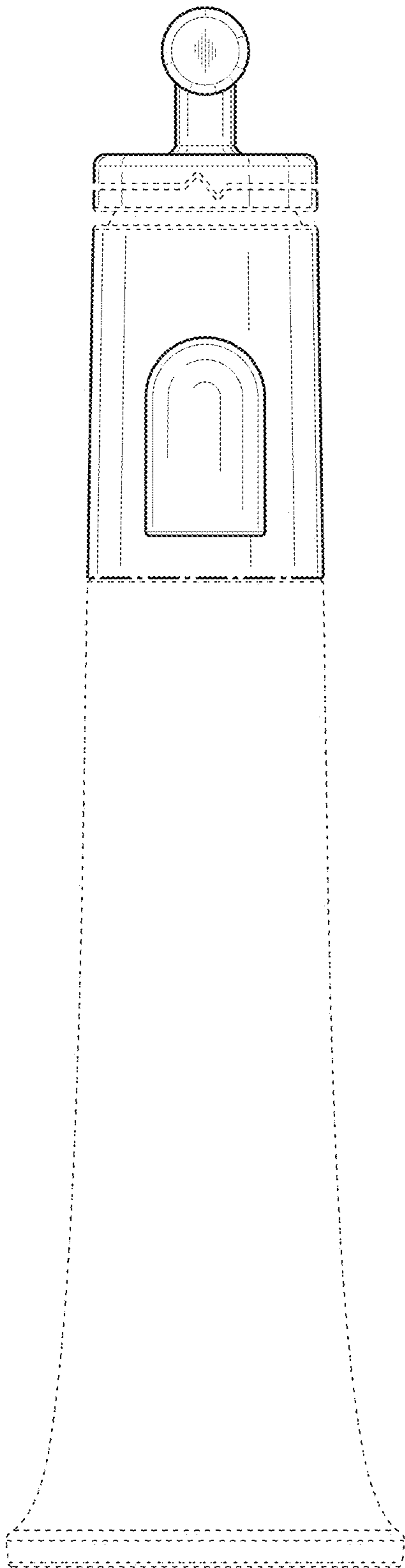


FIG. 9

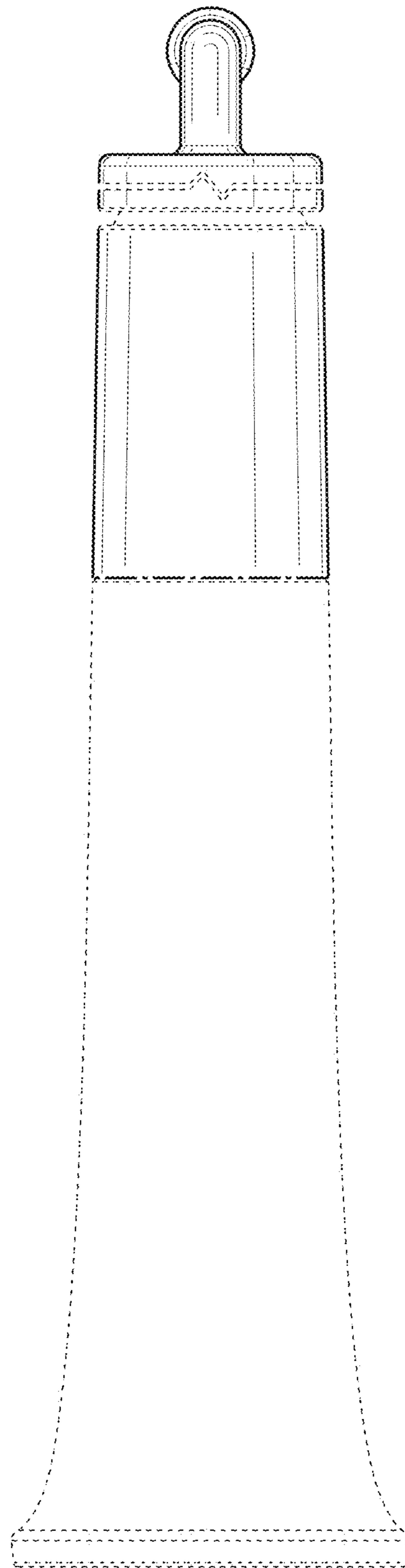


FIG. 10

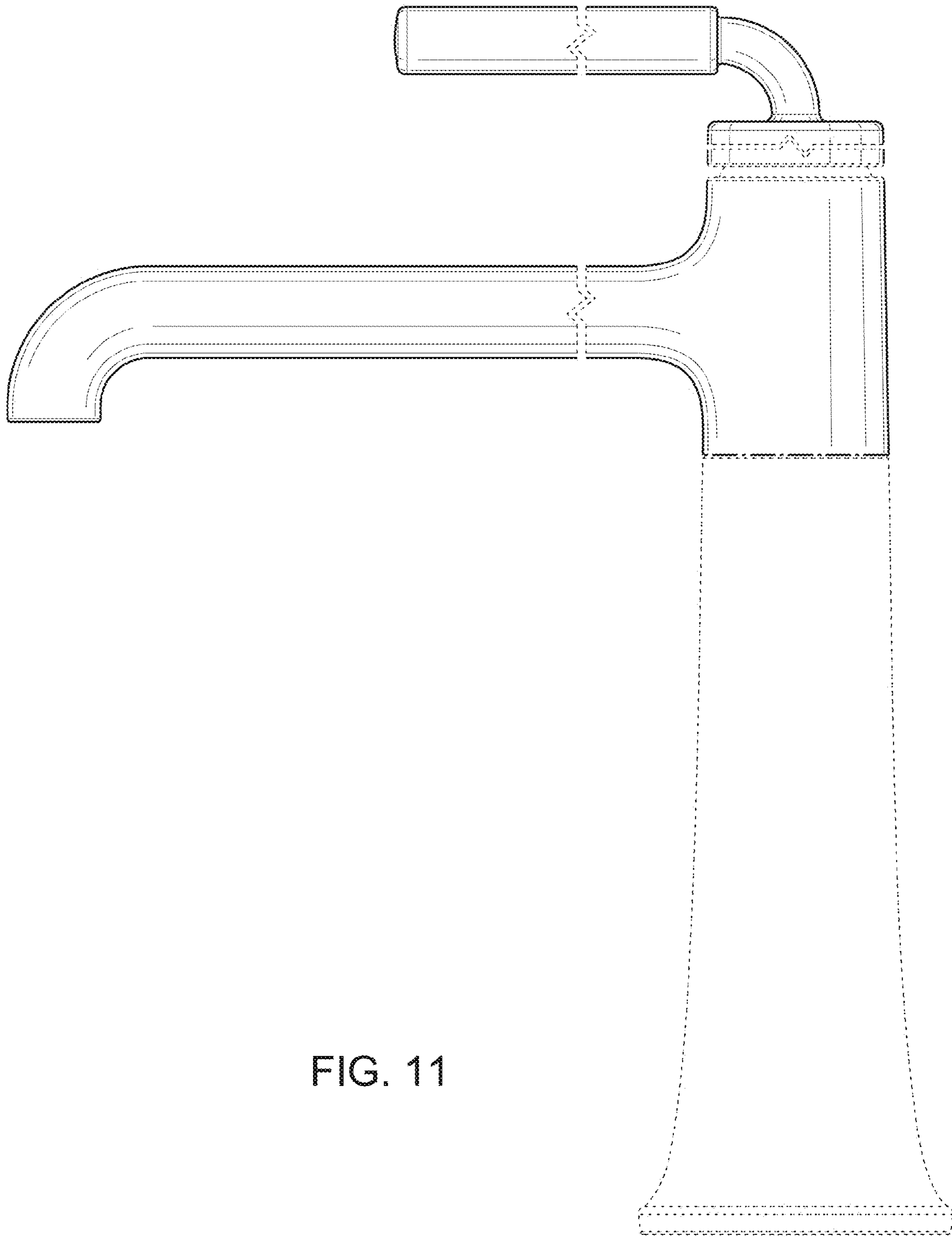


FIG. 11

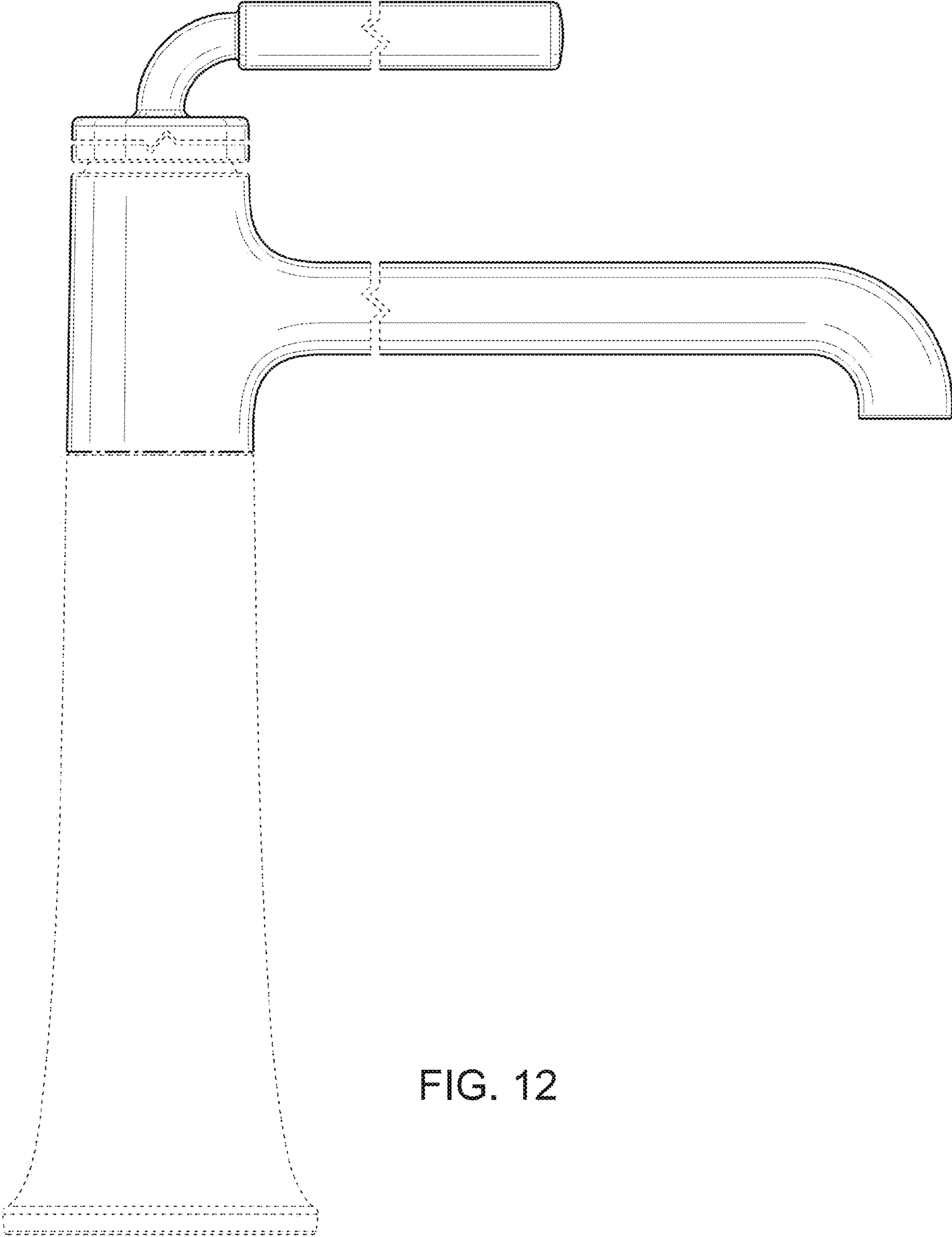


FIG. 12

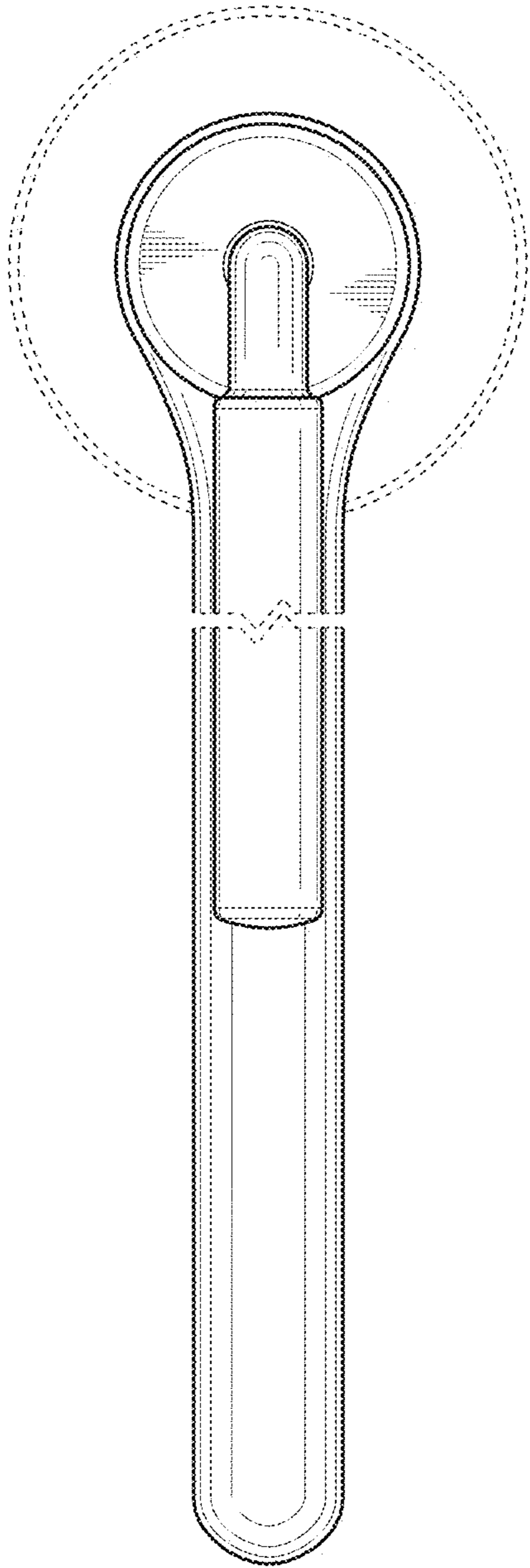


FIG. 13

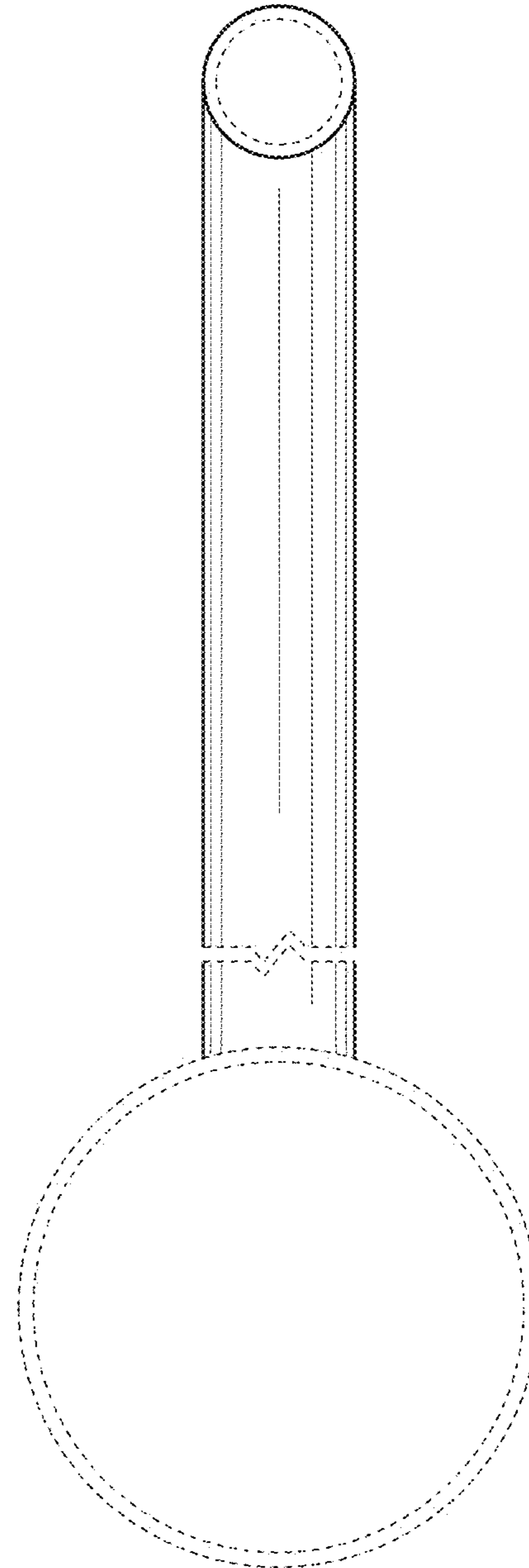


FIG. 14