



US00D967932S

(12) **United States Design Patent**
Truong et al.

(10) **Patent No.:** **US D967,932 S**

(45) **Date of Patent:** **** Oct. 25, 2022**

(54) **PRESSURE REGULATOR**

D749,194 S * 2/2016 Yoshida D23/233
11,249,496 B1 * 2/2022 Etxeandia Gartziaetxabe
G05D 16/0661

(71) Applicant: **Storm Manufacturing Group,**
Torrance, CA (US)

* cited by examiner

(72) Inventors: **Hung Truong,** Los Angeles, CA (US);
Bogumil Matysek, Lomita, CA (US)

Primary Examiner — Gino Colan

(74) *Attorney, Agent, or Firm* — Felix L. Fischer

(73) Assignee: **Storm Manufacturing Group,**
Torrance, CA (US)

(**) Term: **15 Years**

(21) Appl. No.: **29/723,829**

(22) Filed: **Feb. 11, 2020**

(51) **LOC (13) Cl.** **23-01**

(52) **U.S. Cl.**

USPC **D23/235**

(58) **Field of Classification Search**

USPC D23/233–235, 237, 241–249;
137/115.13, 115.28, 488; 251/5

CPC F16K 17/06; F16K 15/026; F15B 13/024;
F15B 2211/50518; F15B 13/025; F15B
2211/329; Y10T 137/7793

See application file for complete search history.

(56) **References Cited**

U.S. PATENT DOCUMENTS

D317,494 S * 6/1991 Miyake D23/235
D318,713 S * 7/1991 Miyake D23/235

(57) **CLAIM**

The ornamental design for a pressure regulator, as shown and described.

DESCRIPTION

FIG. 1 is a top right perspective view of the pressure regulator;

FIG. 2 is a top left perspective view of the pressure regulator of FIG. 1;

FIG. 3 a front view of the pressure regulator, the rear view being symmetrical;

FIG. 4 is a top view of the pressure regulator;

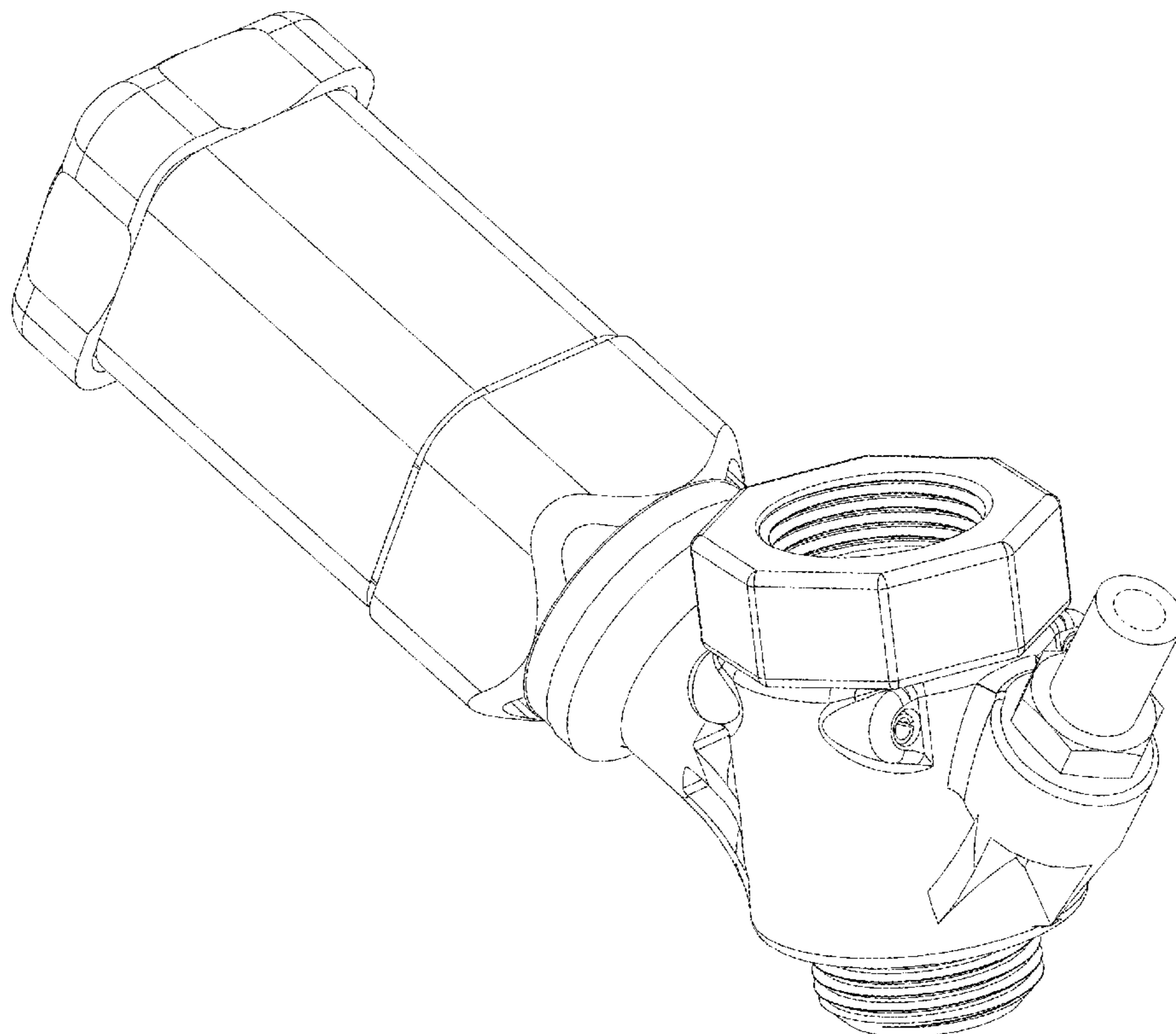
FIG. 5 is a bottom view of the pressure regulator;

FIG. 6 a left side view of the pressure regulator; and,

FIG. 7 a right side view of the pressure regulator.

The broken lines shown in the figures are for the purpose of illustrating portions of the pressure regulator and form no part of the claimed design.

1 Claim, 5 Drawing Sheets



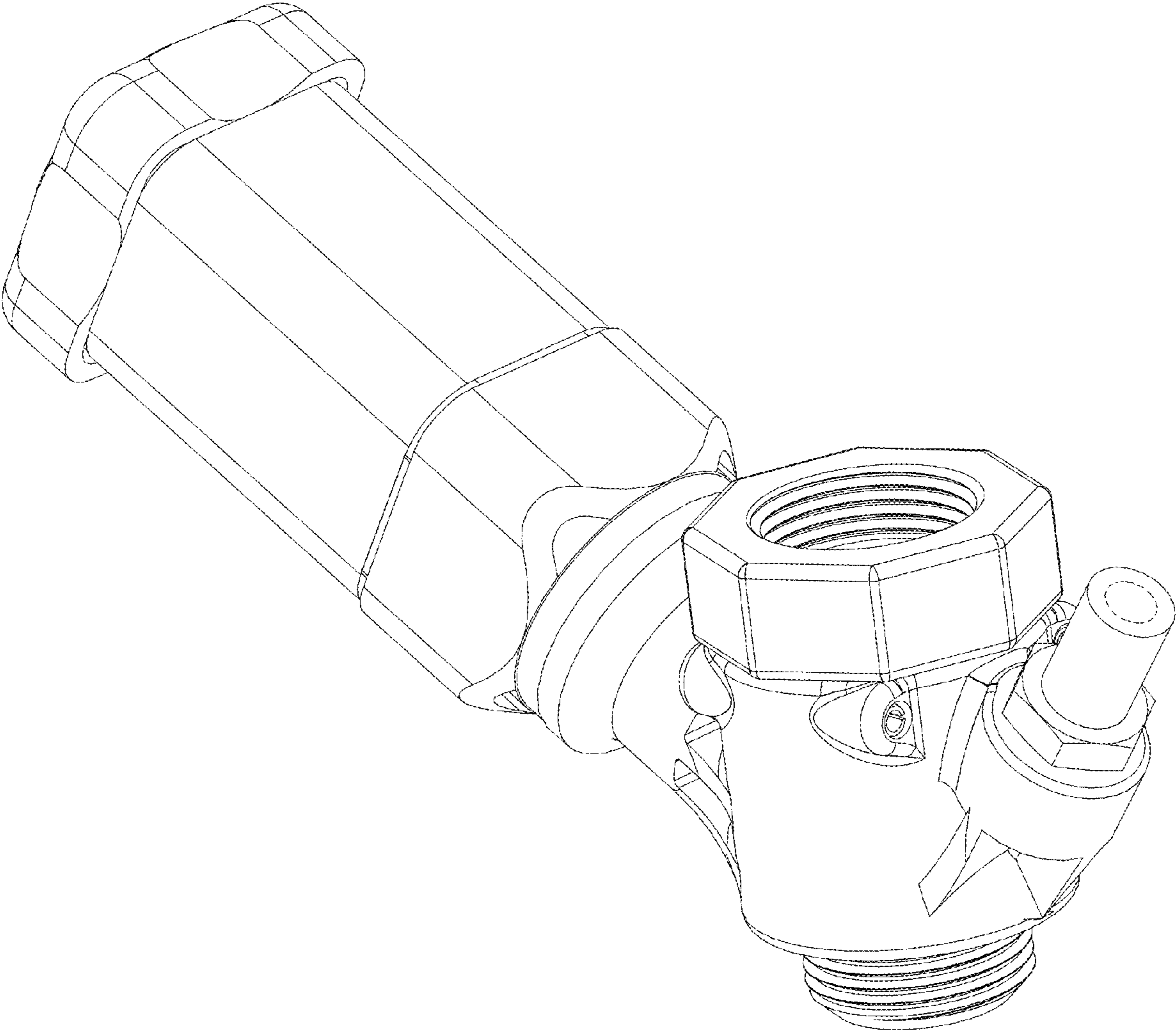


FIG. 1

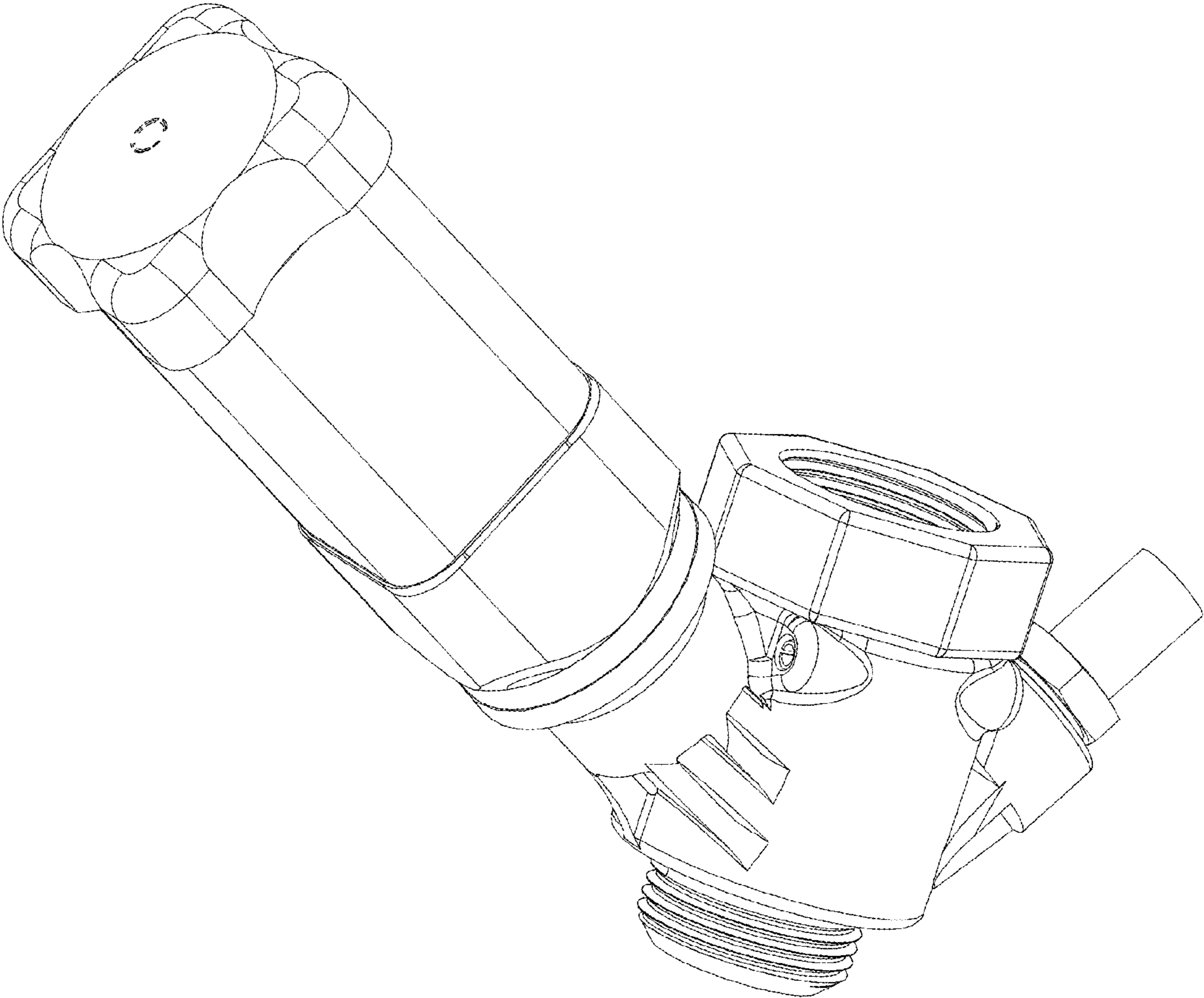


FIG. 2

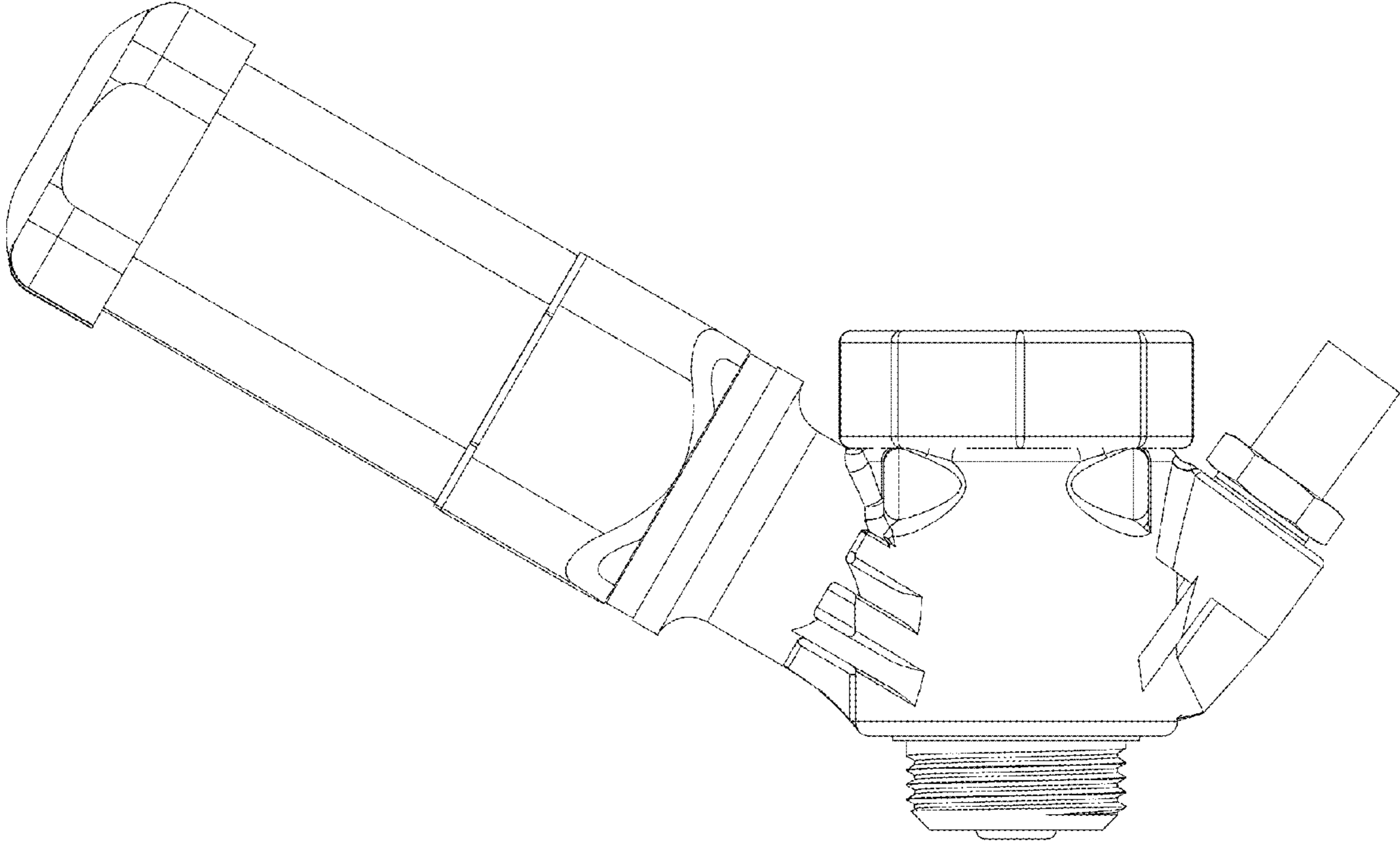


FIG. 3

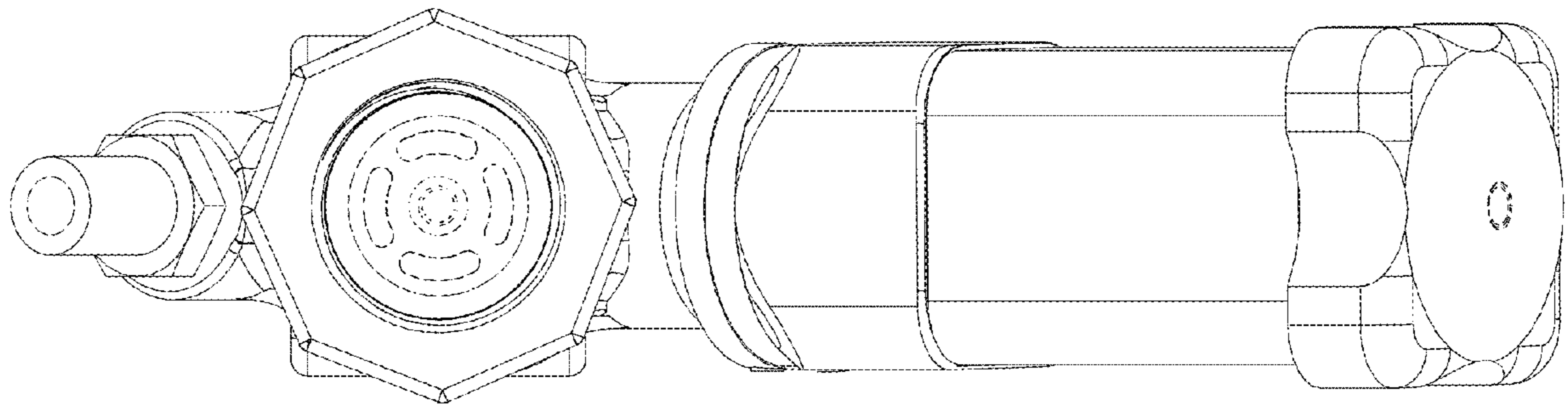


FIG. 4

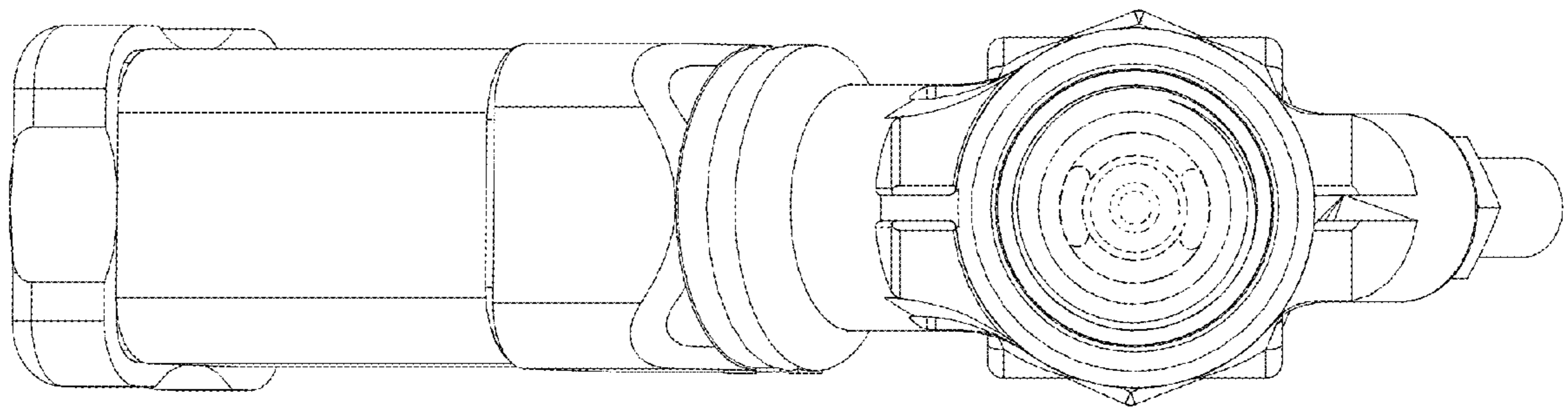


FIG. 5

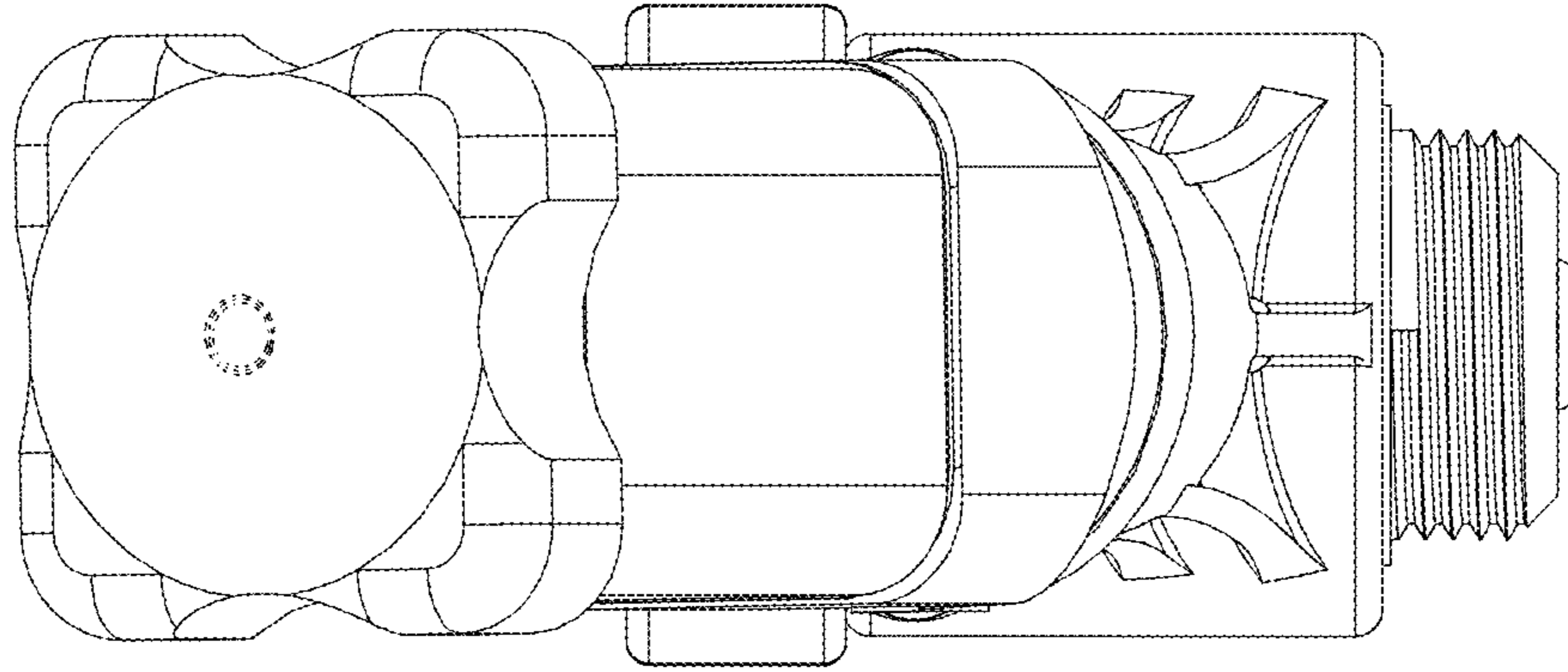


FIG. 6

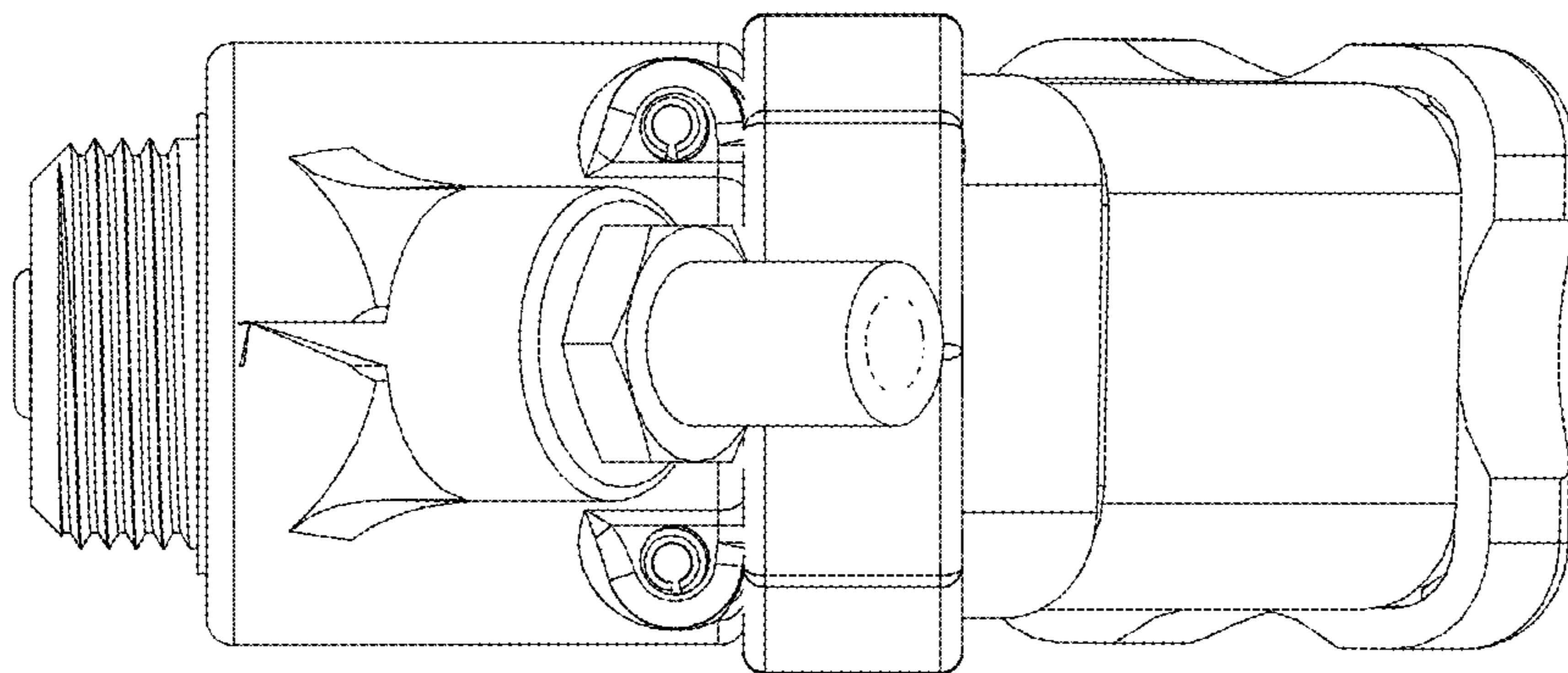


FIG. 7