



US00D967931S

(12) **United States Design Patent** (10) **Patent No.:** **US D967,931 S**  
**Lin** (45) **Date of Patent:** **\*\* Oct. 25, 2022**

(54) **SHOWER HEAD**

(71) Applicant: **Huan Lin**, Chaozhou (CN)

(72) Inventor: **Huan Lin**, Chaozhou (CN)

(\*\*) Term: **15 Years**

(21) Appl. No.: **29/839,179**

(22) Filed: **May 18, 2022**

(51) **LOC (13) Cl.** ..... **23-01**

(52) **U.S. Cl.**  
USPC ..... **D23/223**

(58) **Field of Classification Search**  
USPC ..... D23/213, 214, 215, 223, 224, 226, 229,  
D23/230

CPC ..... A61H 9/0021; A61H 33/00; B05B 1/00;  
B05B 1/14; B05B 1/185; B05B 1/08;  
B05B 1/02; B05B 1/26; B05B 12/002;  
B05B 1/18; B05B 9/01

See application file for complete search history.

(56) **References Cited**

U.S. PATENT DOCUMENTS

D349,947 S *	8/1994	Hing-Wah	.....	D23/223
D535,354 S *	1/2007	Wu	.....	D23/223
D578,604 S *	10/2008	Wu	.....	D23/223
D578,606 S *	10/2008	Wu	.....	D23/223
D610,230 S *	2/2010	Wu	.....	D23/223
D619,202 S *	7/2010	Zhang	.....	D23/213
D652,106 S *	1/2012	Yoo	.....	D23/213
D670,358 S *	11/2012	Bai	.....	D23/223
D838,343 S	1/2019	Lai et al.		
D889,602 S *	7/2020	Wu	.....	D23/223
D926,927 S	8/2021	Zhang		

OTHER PUBLICATIONS

Handheld Shower Head—Siquer High Pressure 5 Spray, Nov. 1, 2019, amazon.ca, Aug. 10, 2022, URL: <https://www.amazon.ca/Handheld-Pressure-Setting-Adjustable-Showerhead/dp/B07ZVRY7R8/> (Year: 2019).\*

Luxury High Pressure Handheld Rainfall ABS Plastic Shower Head, Feb. 19, 2022, amazon.ca, Aug. 10, 2022, URL: <https://www.amazon.ca/Pressure-Handheld-Rainfall-5-Settings-Bathroom/dp/B09SVXZBY9/> (Year: 2022).\*  
Shower Head, 3-Settings High Pressure Shower Heads, Apr. 2, 2021, amazon.ca, Aug. 12, 2022, URL: <https://www.amazon.ca/3-Settings-Pressure-Handheld-Regulator-Portable/dp/B091KVD1PM/> (Year: 2021).\*  
Shower 5 Spray Modes Hand Shower High Pressure Water, Feb. 18, 2022, amazon.ca, Aug. 12, 2022, URL: [https://www.amazon.ca/dp/B09SV1R29S/ref=sbl\\_dpx\\_ca-home-improvement-bathroom-handheld-showerheads\\_B09R5K8P1T\\_0](https://www.amazon.ca/dp/B09SV1R29S/ref=sbl_dpx_ca-home-improvement-bathroom-handheld-showerheads_B09R5K8P1T_0) (Year: 2022).\*

\* cited by examiner

*Primary Examiner* — Keith J Wilson

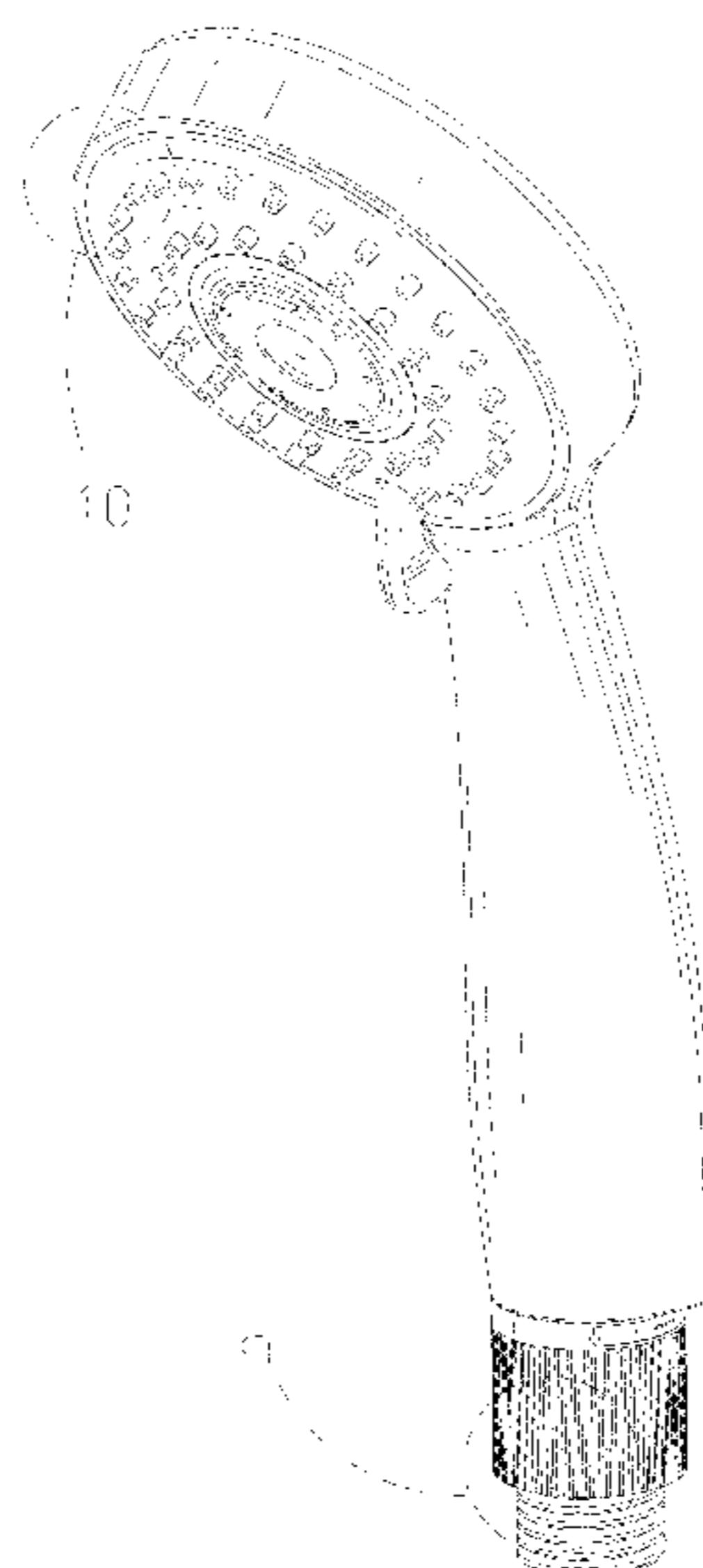
(57) **CLAIM**

The ornamental design for a shower head, as shown and described.

**DESCRIPTION**

FIG. 1 is a perspective view of a shower head showing my new design;  
FIG. 2 is another perspective view thereof;  
FIG. 3 is a front elevational view thereof;  
FIG. 4 is a rear elevational view thereof;  
FIG. 5 is a left side elevational view thereof;  
FIG. 6 is a right side elevational view thereof;  
FIG. 7 is a top plan view thereof;  
FIG. 8 is a bottom plan view thereof;  
FIG. 9 is an enlarged view of portion 9 shown in FIG. 1; and,  
FIG. 10 is an enlarged view of portion 10 shown in FIG. 1.  
The dash-dash broken lines in the drawings depict portions of the shower head that form no part of the claimed design. The dot-dash broken lines represent boundaries of the enlarged portions and form no part of the claimed design.

**1 Claim, 10 Drawing Sheets**



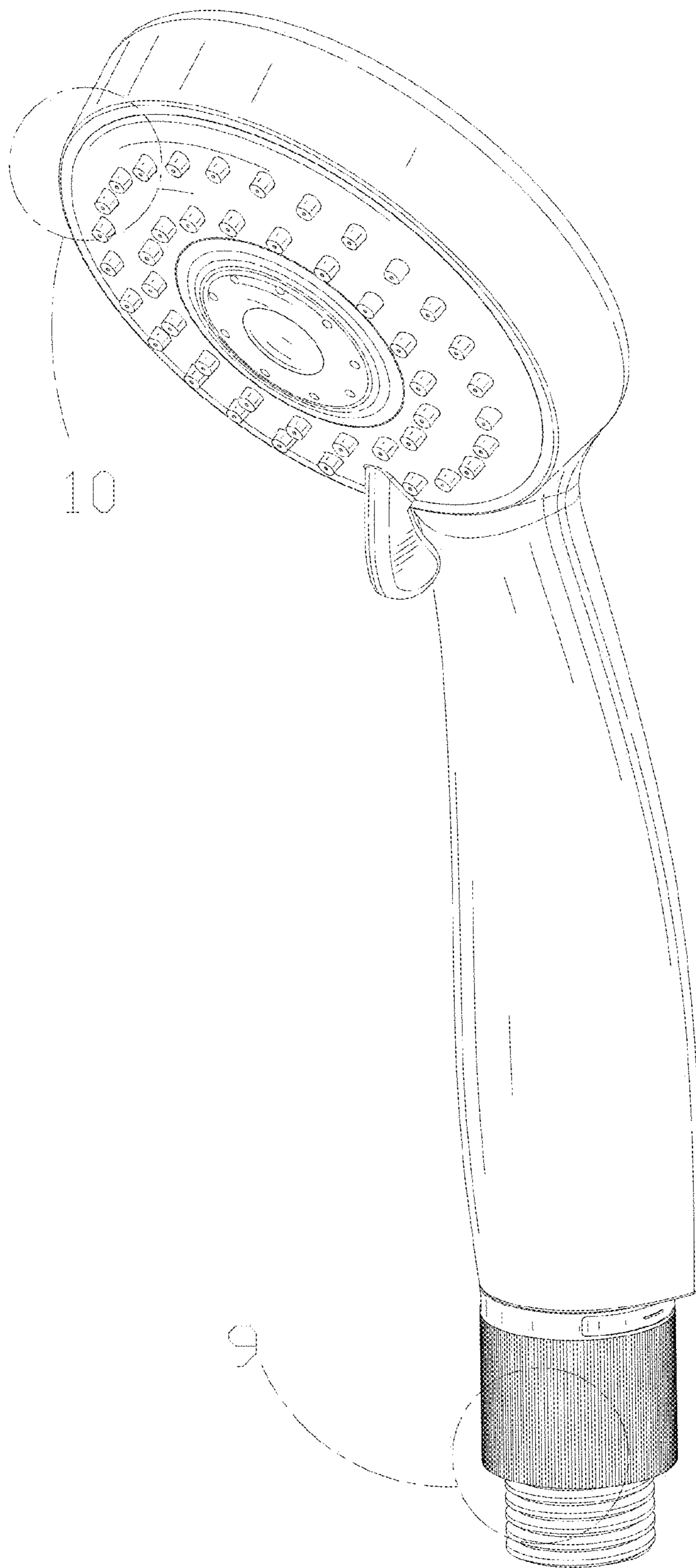


FIG. 1



FIG. 2

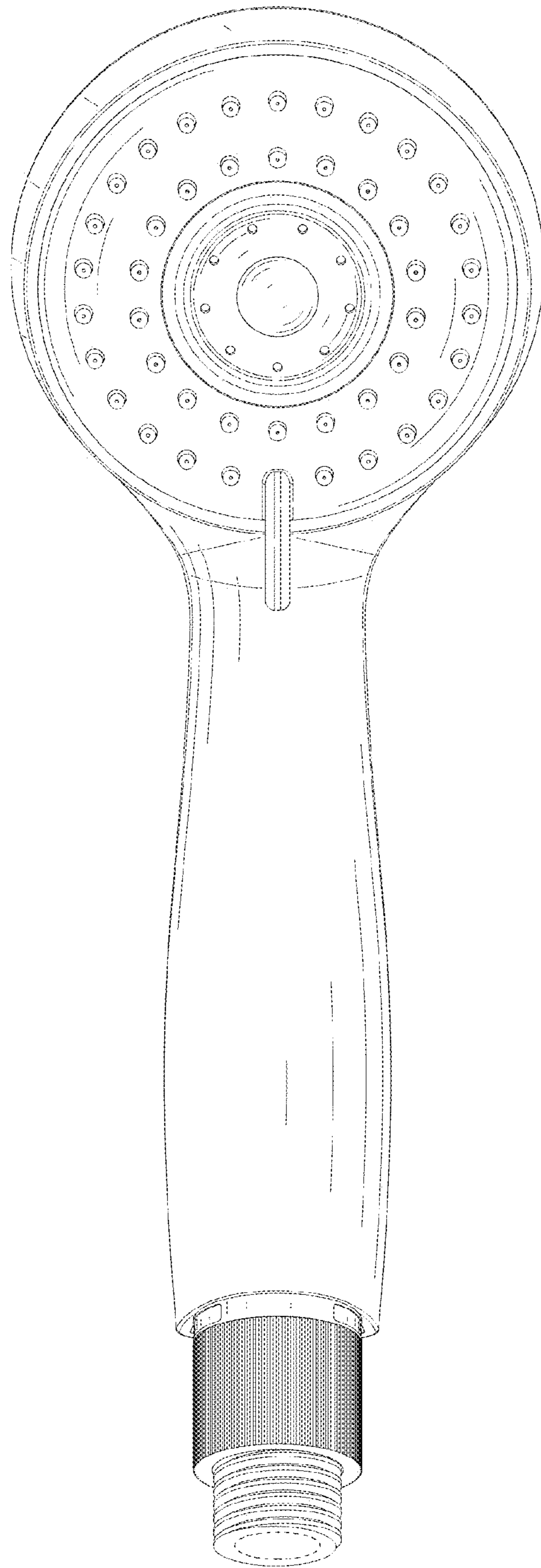


FIG. 3

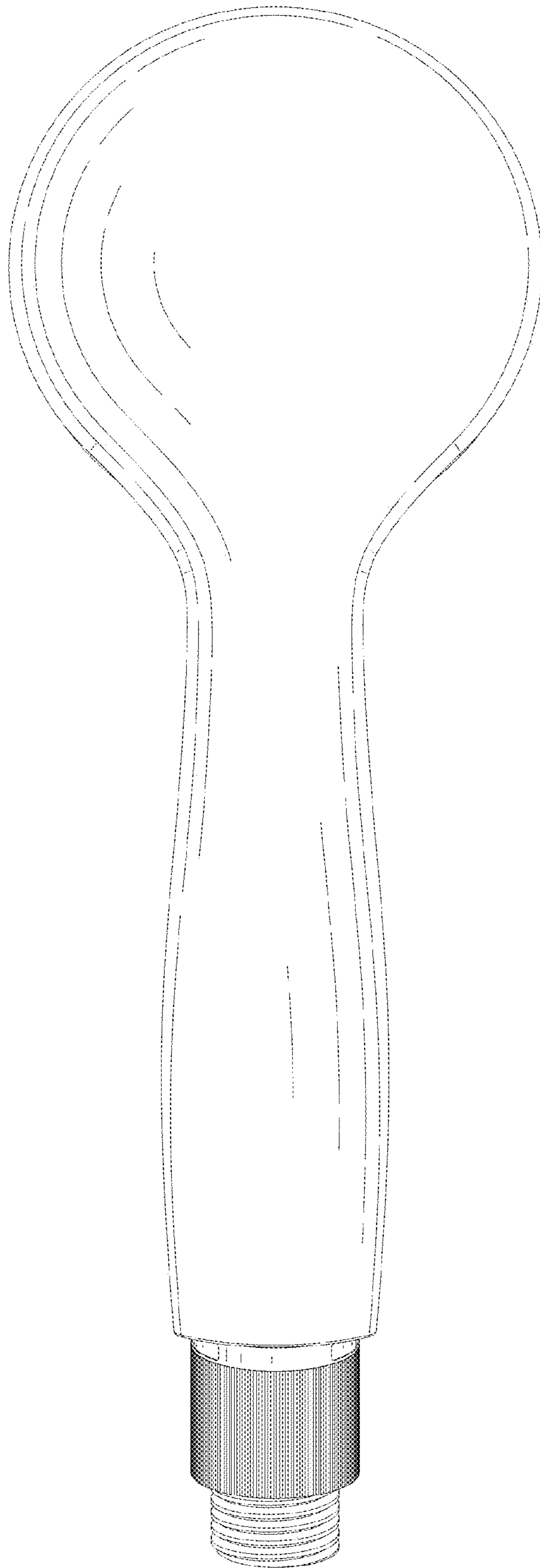


FIG. 4

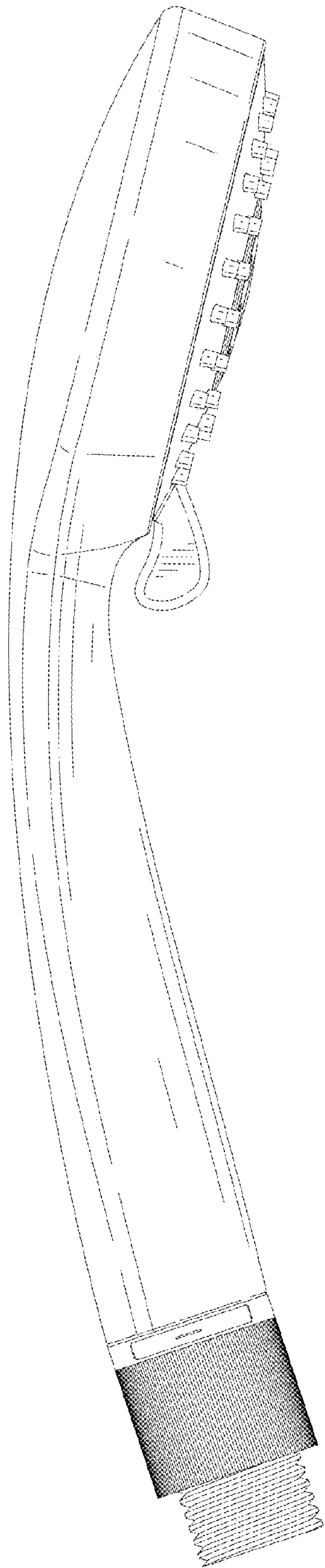


FIG. 5

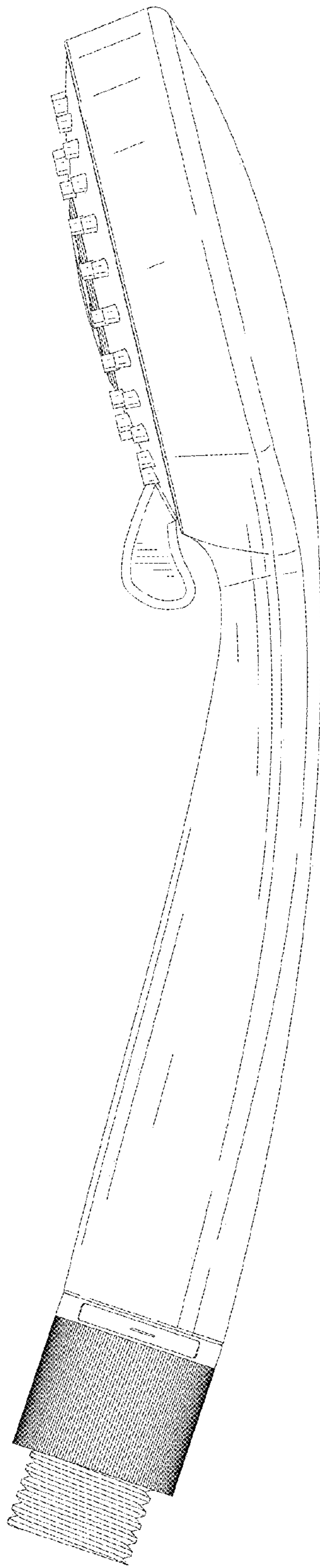


FIG. 6

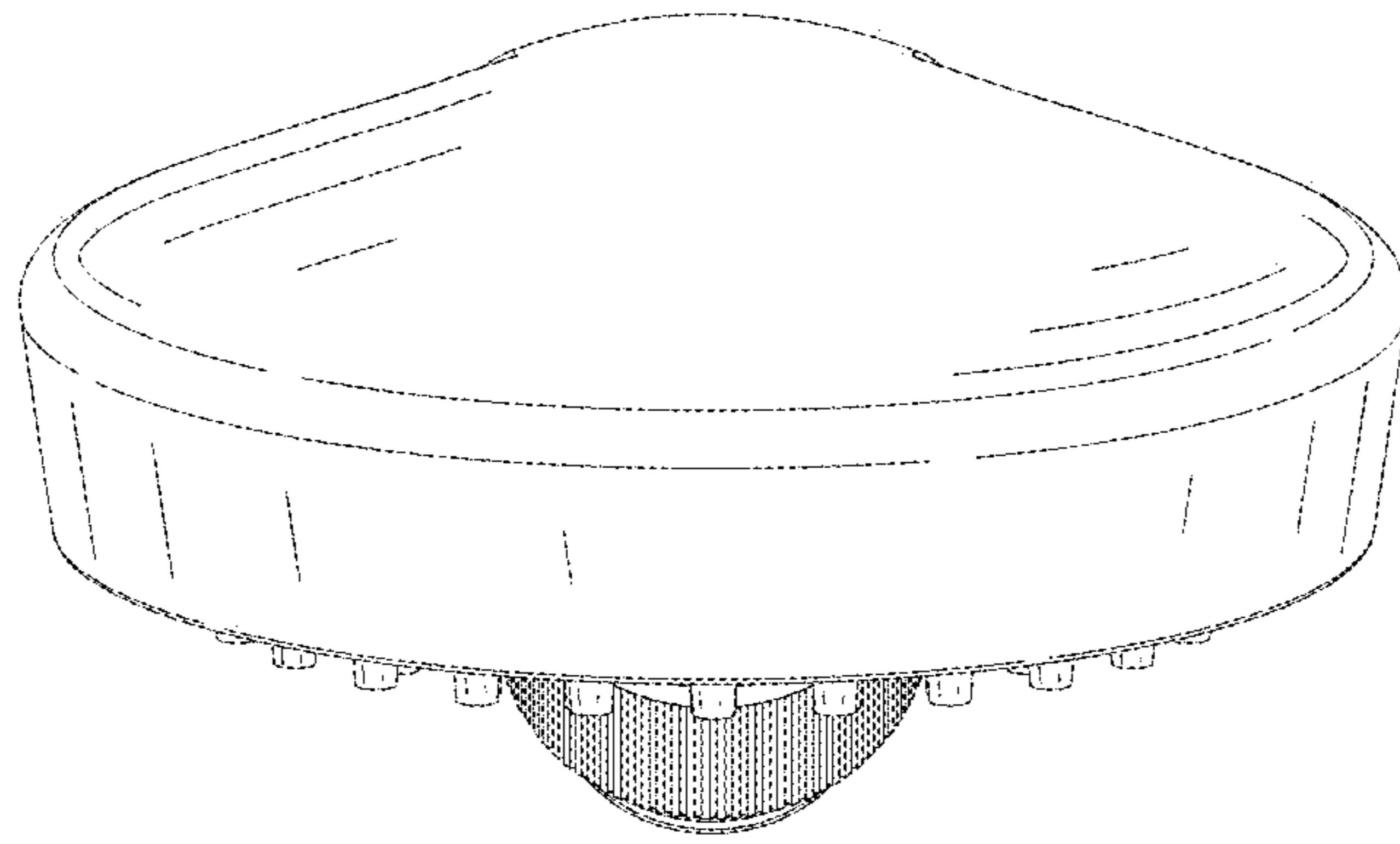


FIG. 7



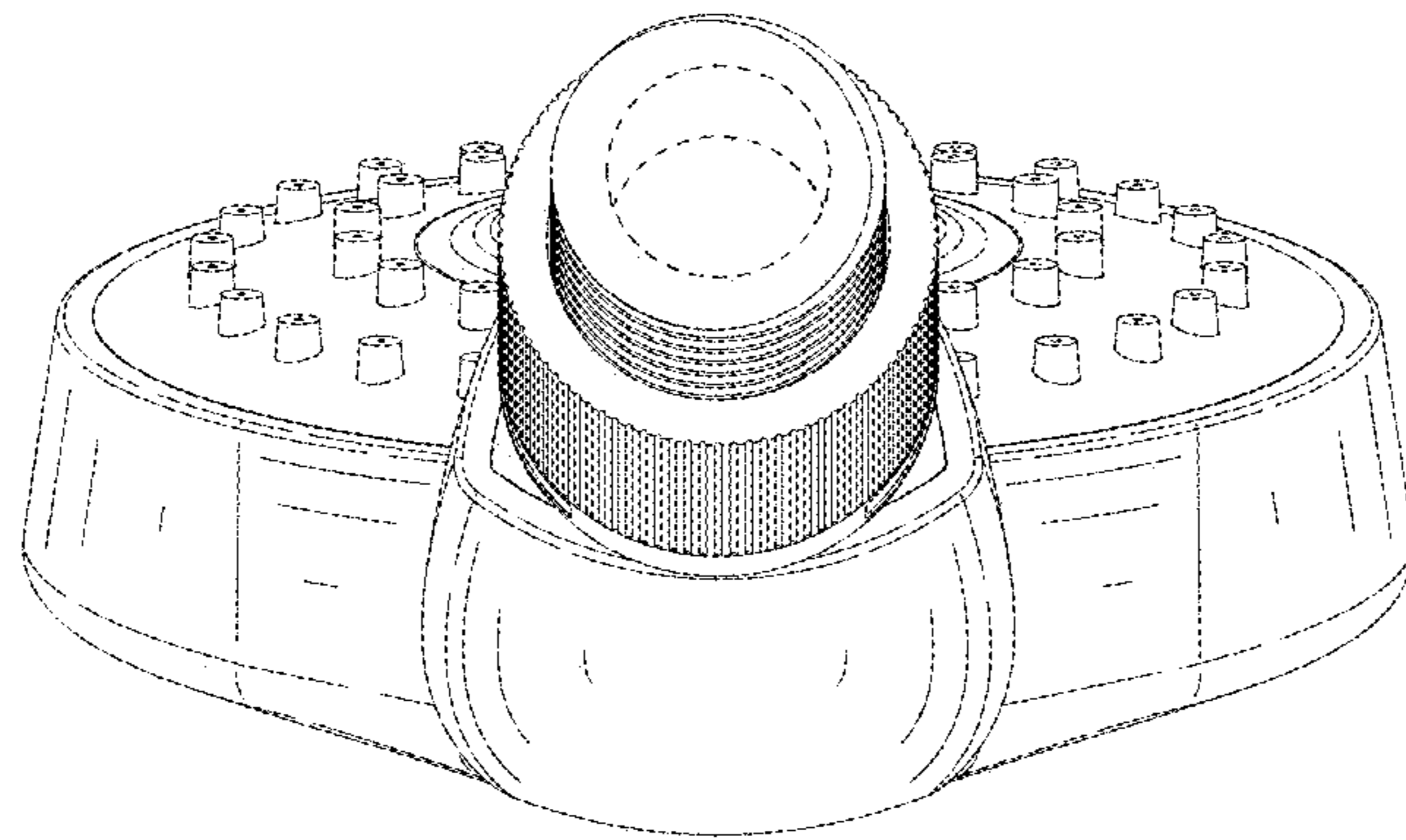


FIG. 8

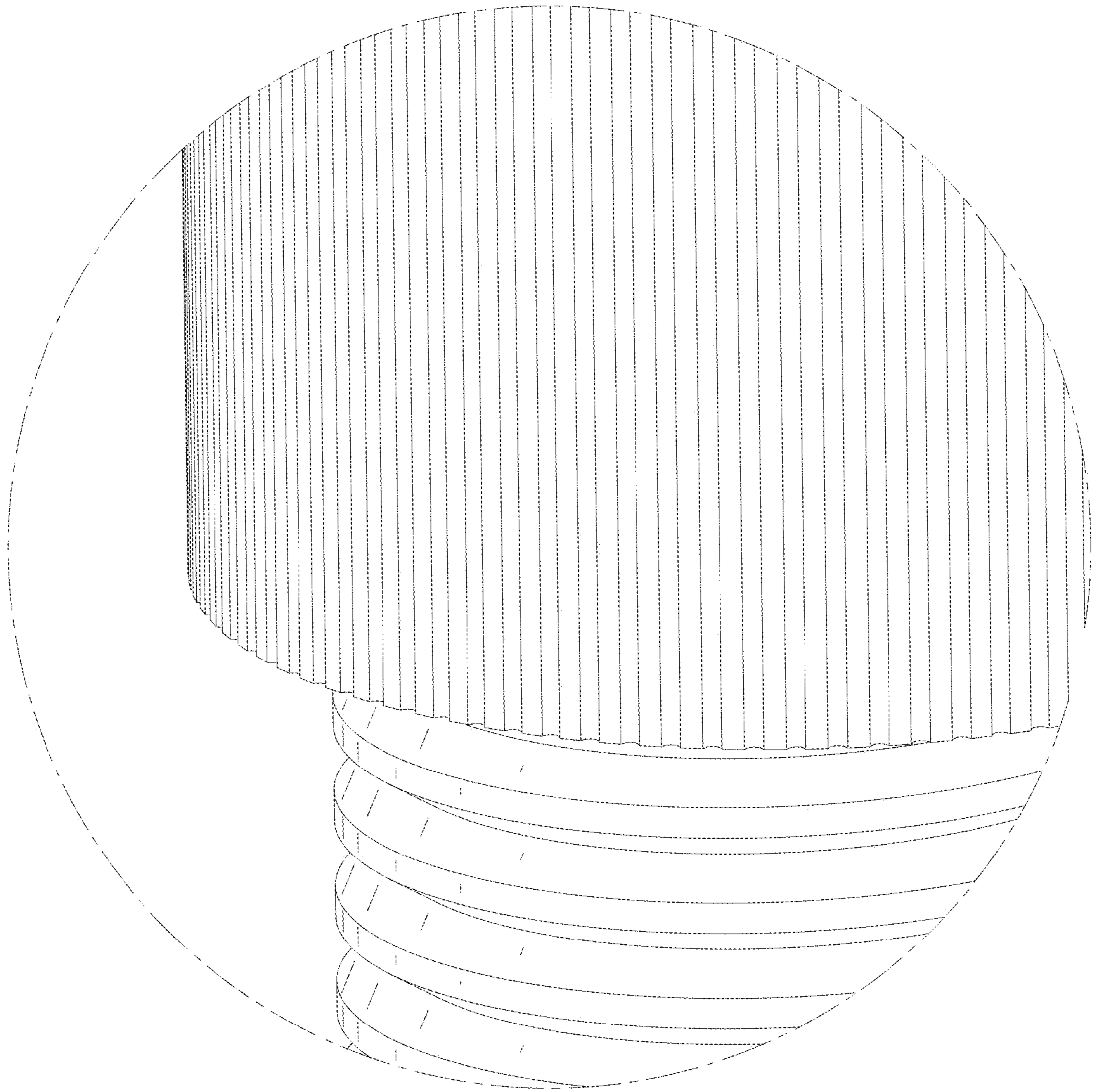


FIG. 9

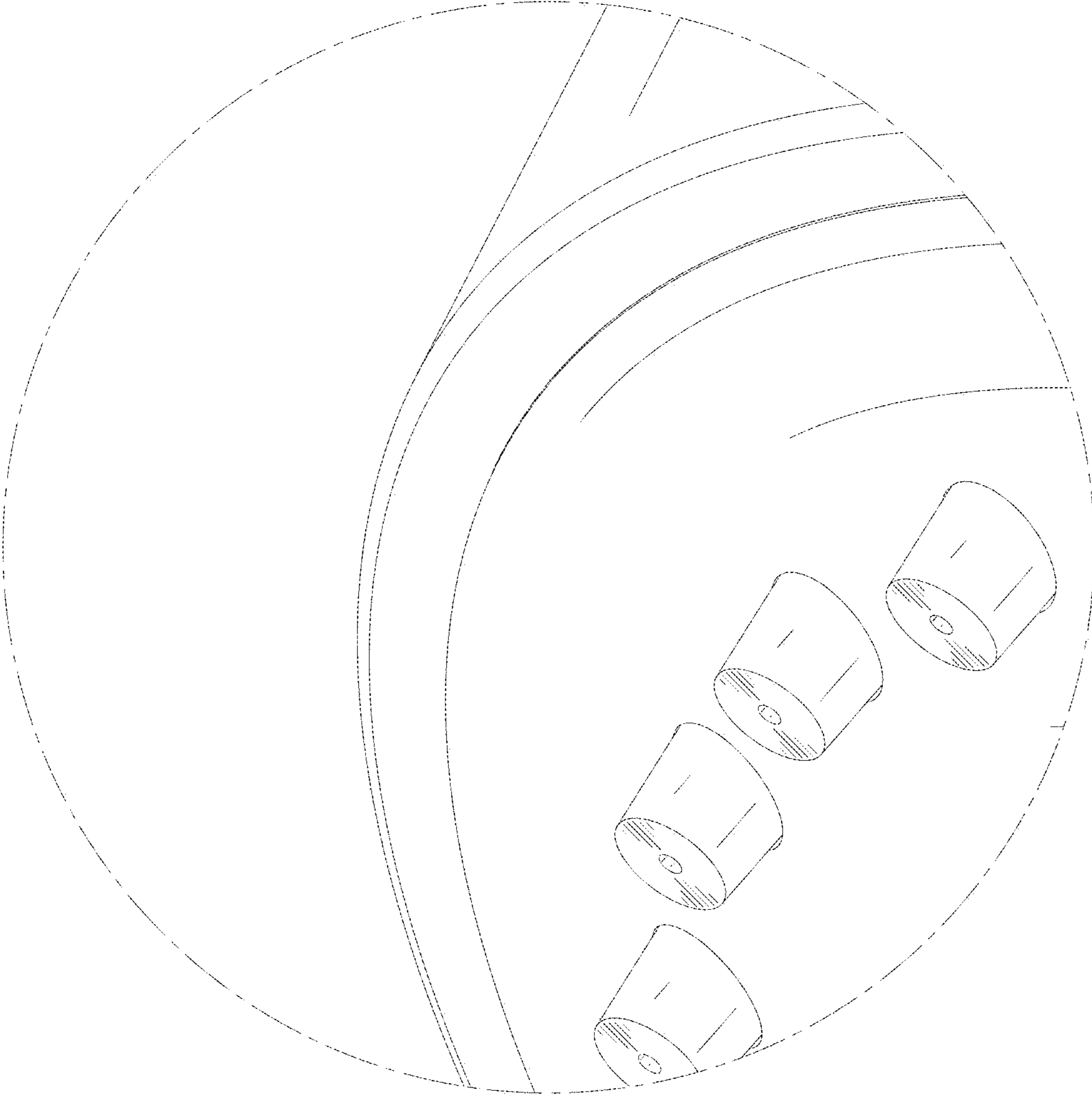


FIG. 10