

US00D967929S

(12) **United States Design Patent** (10) **Patent No.:** **US D967,929 S**
Lin (45) **Date of Patent:** **** Oct. 25, 2022**

(54) **SPRINKLER**

D940,270 S * 1/2022 Hillinger D23/214
D961,726 S * 8/2022 Attila D23/213
2020/0061640 A1* 2/2020 Hillinger A62C 31/05

(71) Applicant: **Wenye Lin**, Jieyang (CN)

(72) Inventor: **Wenye Lin**, Jieyang (CN)

(**) Term: **15 Years**

(21) Appl. No.: **29/792,448**

(22) Filed: **Mar. 29, 2022**

(51) **LOC (13) Cl.** **23-01**

(52) **U.S. Cl.**
USPC **D23/213**

(58) **Field of Classification Search**
USPC D23/213, 214, 215, 223, 224, 226, 229
CPC A61H 9/0021; A61H 33/00; B05B 1/00;
B05B 1/14; B05B 1/185; B05B 1/08;
B05B 1/02; B05B 1/26; B05B 12/002;
B05B 1/18; B05B 9/01
See application file for complete search history.

OTHER PUBLICATIONS

Homeright C900110 Spray Tip, Dec. 3, 2019, Amazon.com, Mar. 11, 2021: URL https://www.amazon.com/Homeright-C900110-Finish-Orange-Yellow/dp/B07L39NHLZ/ref=sr_1_186?dchild=1&keywords=paint+nozzle&qid=1615499210&sr=8-186 (Year: 2019).*
Orbit WaterMaster Underground, Nov. 28, 2012, amazon.com, Aug. 25, 2022: URL <https://www.amazon.ca/Orbit-WaterMaster-Underground-51241-Plastic/dp/B0040QWLNE/> (Year: 2012).*

* cited by examiner

Primary Examiner — Keith J Wilson

(57) **CLAIM**

The ornamental design for a sprinkler, as shown and described.

(56) **References Cited**

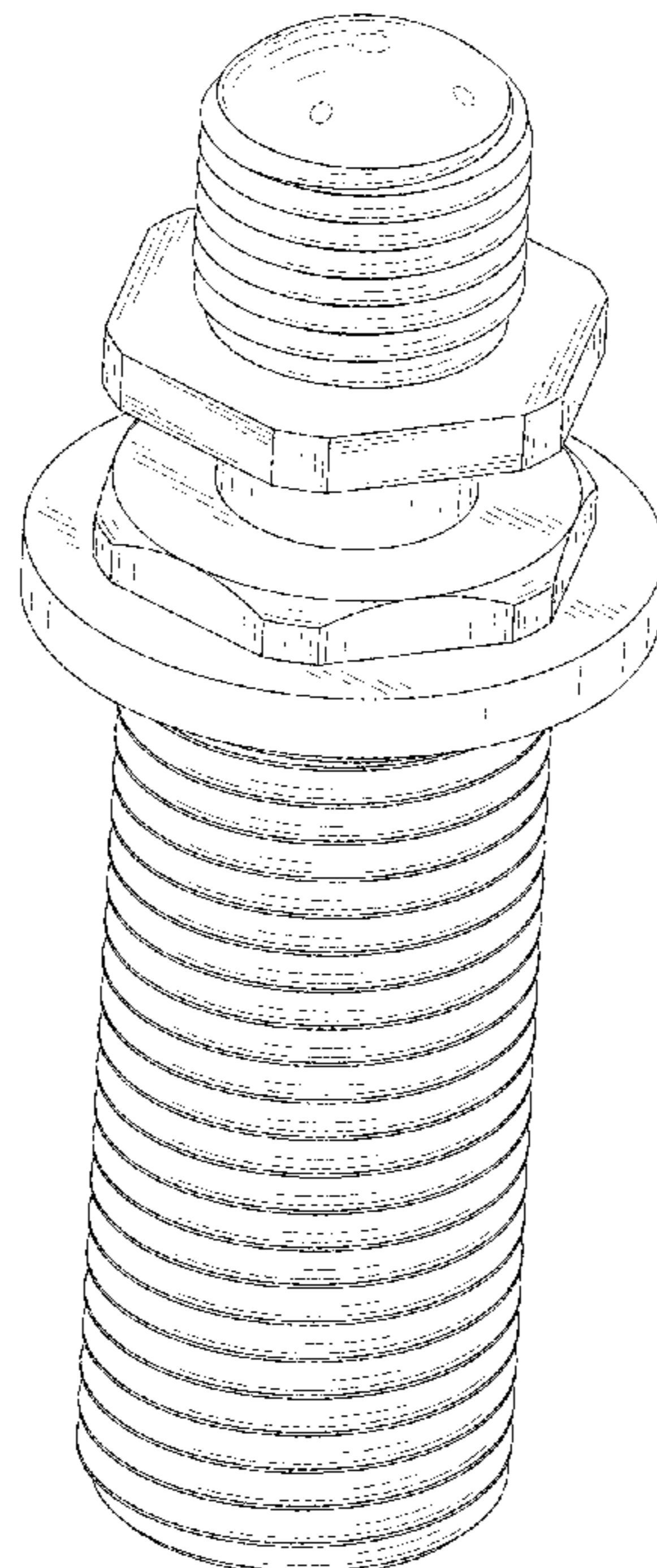
U.S. PATENT DOCUMENTS

D436,648 S * 1/2001 Maddox D23/213
D462,109 S * 8/2002 Adams D23/213
D565,697 S * 4/2008 Thiel D23/213
D567,900 S * 4/2008 Patterson D23/213
D686,296 S * 7/2013 Melzer D23/209
D699,321 S 2/2014 Karihara et al.
D841,122 S 2/2019 Wake et al.
D872,828 S * 1/2020 Bloom D23/213
D872,829 S * 1/2020 Bloom D23/213
D877,777 S * 3/2020 Pickard D15/7
D904,562 S * 12/2020 Stewart D23/213
D904,565 S * 12/2020 Ross D23/213
D937,383 S * 11/2021 Thibodeau B29C 49/58
D23/213

DESCRIPTION

FIG. 1 is a perspective view of a sprinkler showing my new design;
FIG. 2 is another perspective view thereof;
FIG. 3 is a front elevational view thereof;
FIG. 4 is a rear elevational view thereof;
FIG. 5 is a left side elevational view thereof;
FIG. 6 is a right side elevational view thereof;
FIG. 7 is a top plan view thereof; and,
FIG. 8 is a bottom plan view thereof.
The broken lines in the drawings depict portions of the sprinkler that form no part of the claimed design.

1 Claim, 8 Drawing Sheets



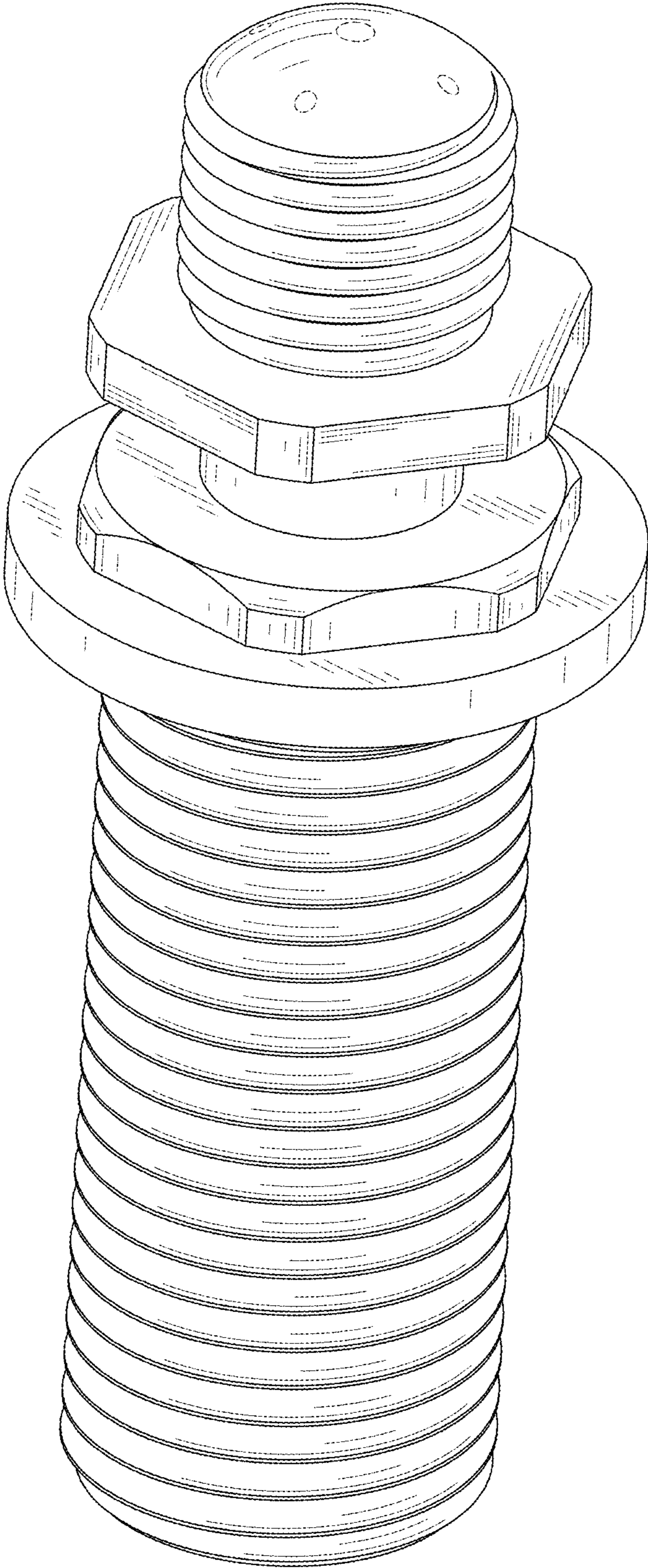


FIG. 1

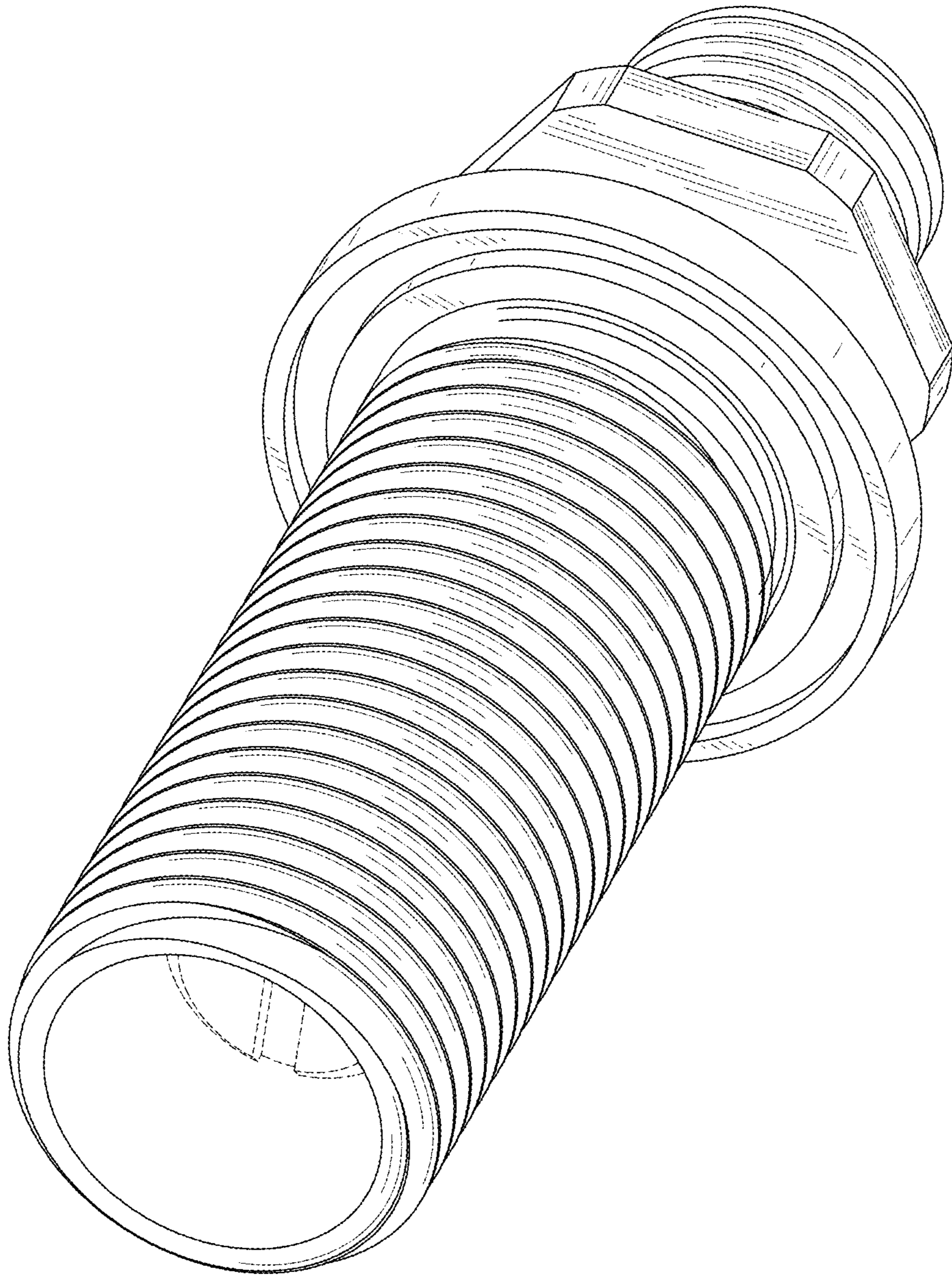


FIG. 2

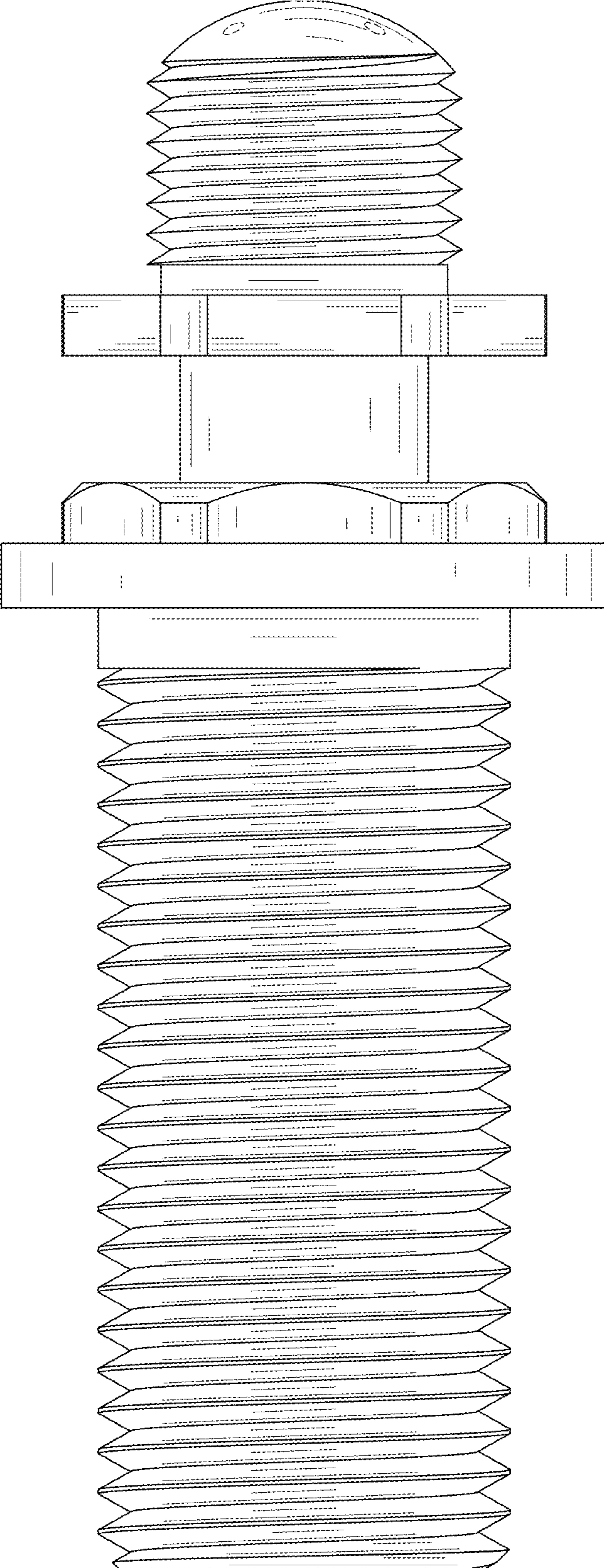


FIG. 3

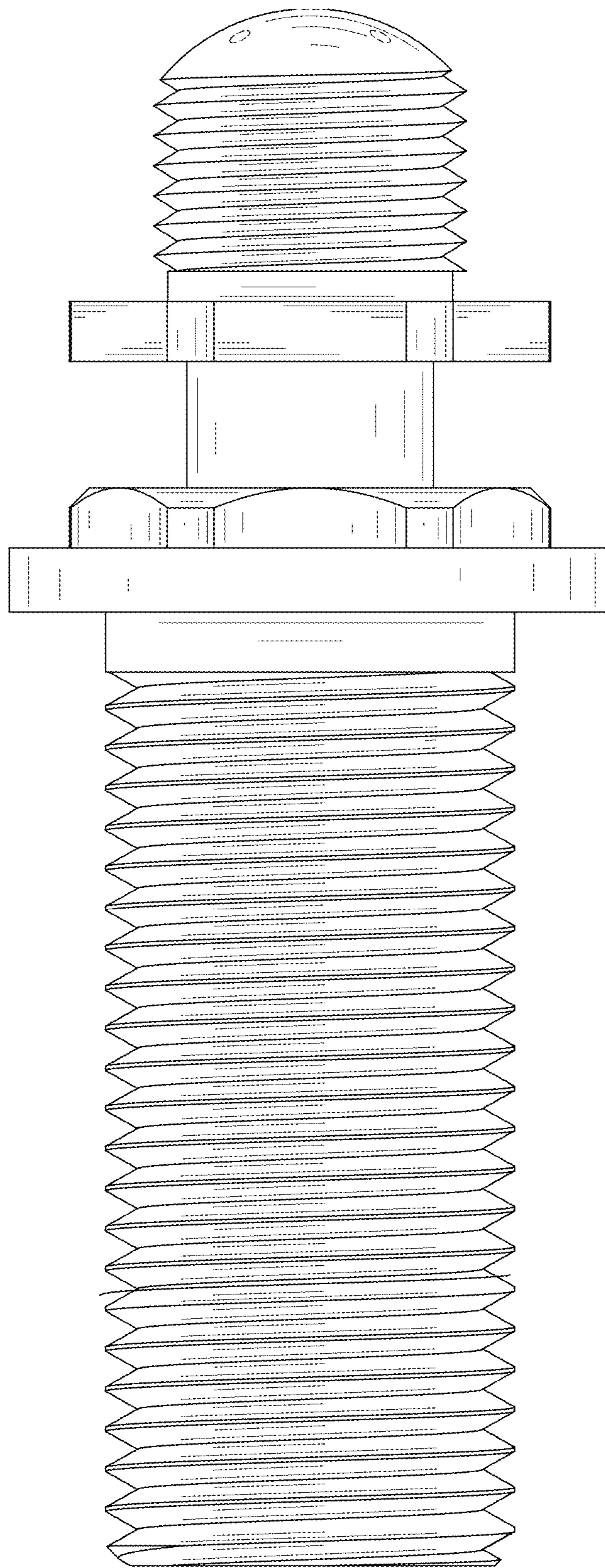


FIG. 4

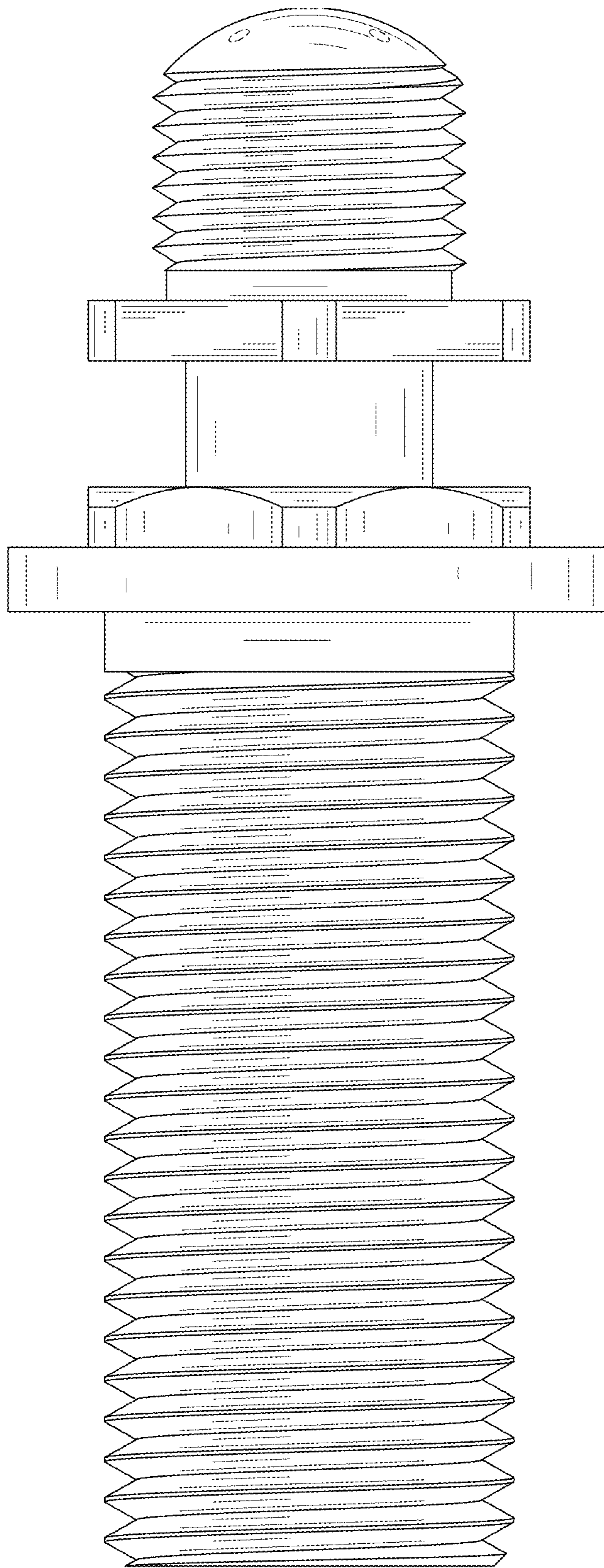


FIG. 5

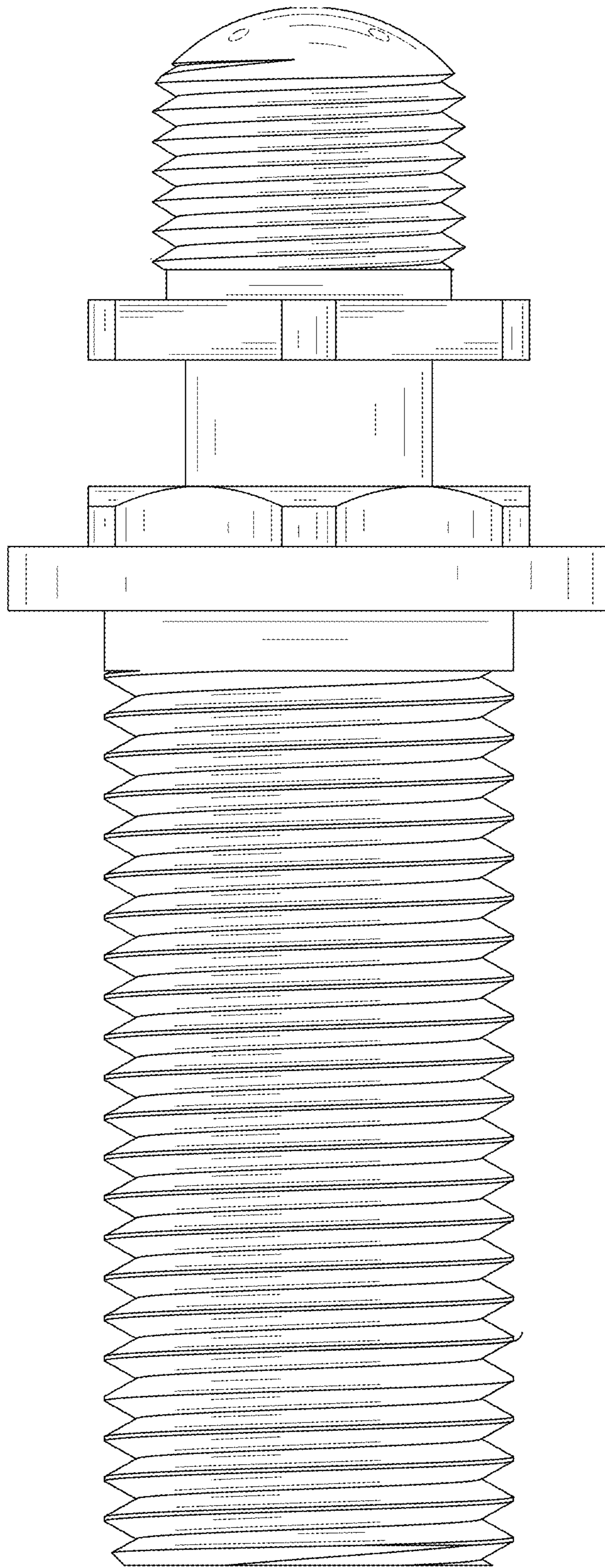


FIG. 6

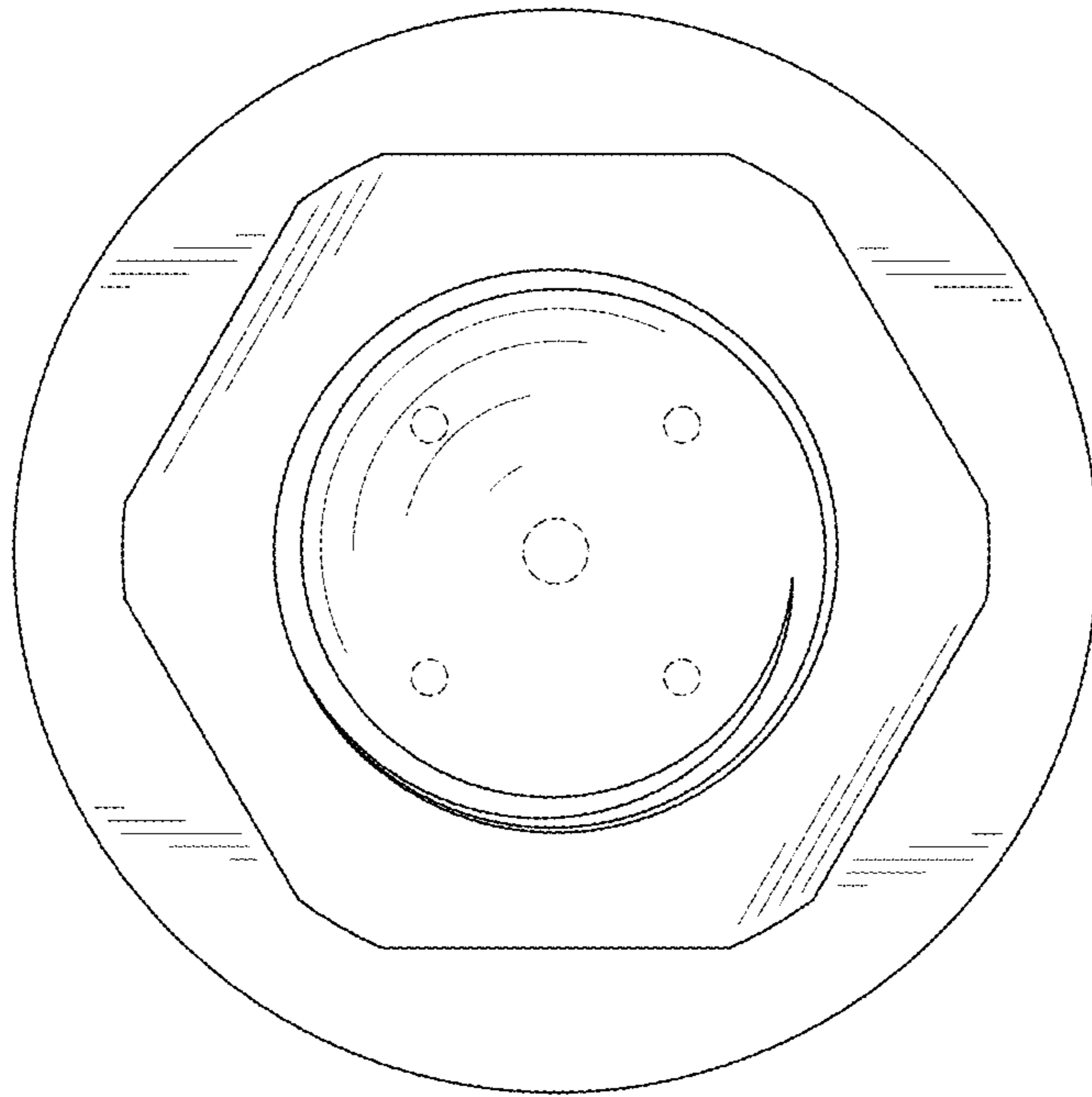


FIG. 7

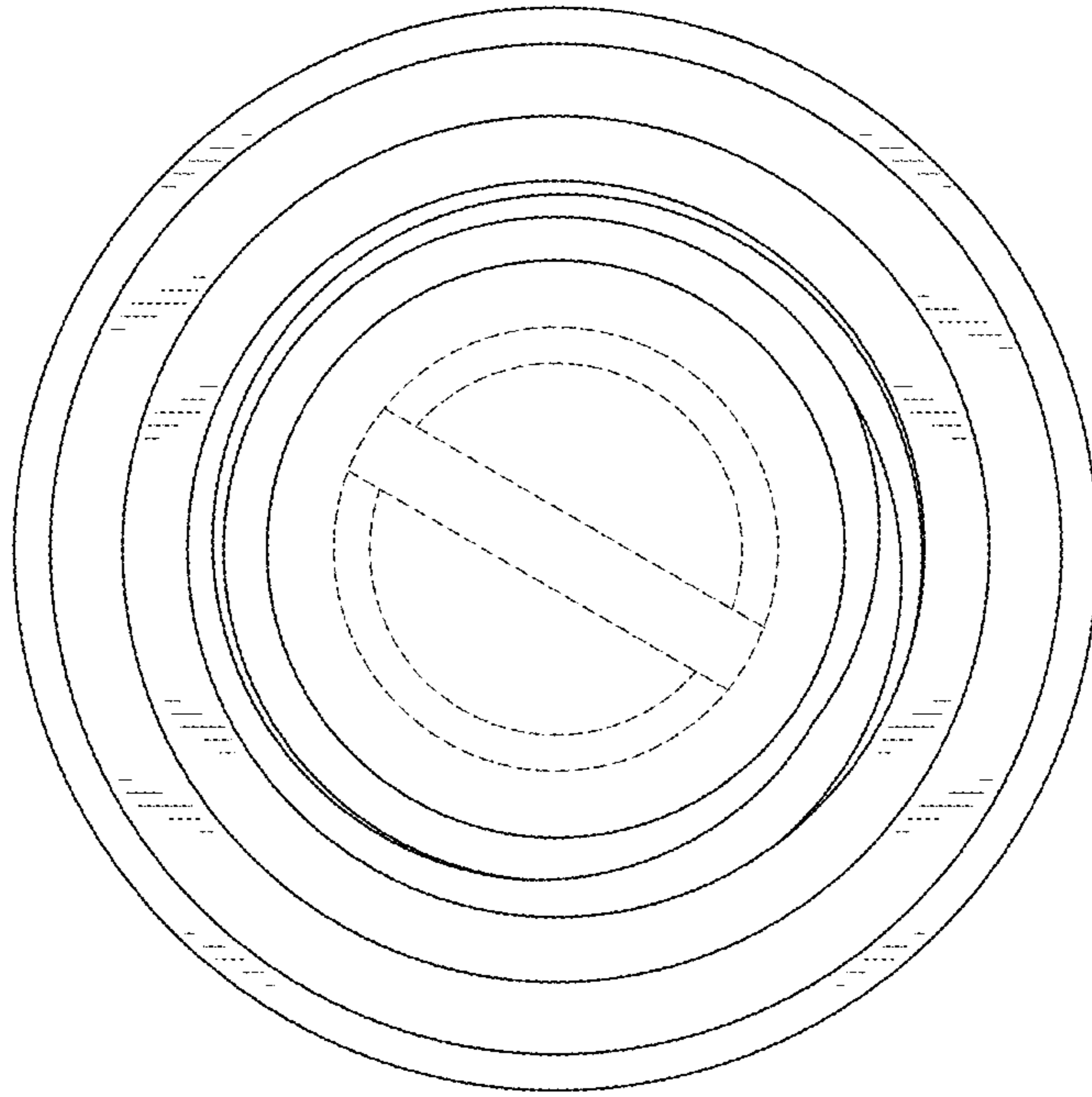


FIG. 8