

US00D967928S

(12) **United States Design Patent** (10) **Patent No.:** **US D967,928 S**
Van Duijn (45) **Date of Patent:** **** Oct. 25, 2022**

(54) **DISCHARGE DEVICE FOR A WASTEWATER MANAGEMENT SYSTEM OF A RECREATIONAL VEHICLE**

(71) Applicant: **THETFORD BV**, Etten-Leur (NL)

(72) Inventor: **Dineke Van Duijn**, Etten-Leur (NL)

(73) Assignee: **Thetford BV**, Etten-Leur (NL)

(**) Term: **15 Years**

(21) Appl. No.: **29/684,580**

(22) Filed: **Mar. 22, 2019**

(51) **LOC (13) Cl.** **23-01**

(52) **U.S. Cl.**
 USPC **D23/213**

(58) **Field of Classification Search**
 USPC D23/213, 223, 226, 227, 231; D8/300
 CPC B60R 15/00; E03F 1/008; E03F 1/006;
 E03F 9/00; E03D 5/01
 See application file for complete search history.

(56) **References Cited**

U.S. PATENT DOCUMENTS

D227,883 S *	7/1973	Huthsing, Jr.	D23/231
D577,102 S *	9/2008	Eshet	D23/226
D698,896 S *	2/2014	Tsai	D23/213
D753,980 S *	4/2016	Arthurs	D8/300
D799,002 S *	10/2017	Gooden	D23/213
D901,624 S *	11/2020	Collings	D23/213

D910,811 S *	2/2021	Bell	D23/213
2016/0095479 A1 *	4/2016	Jenkin	B60R 15/04 4/144.1
2017/0241122 A1 *	8/2017	Swarts	E03F 1/008
2018/0354432 A1 *	12/2018	Van Beek	E03D 9/10
2020/0086894 A1 *	3/2020	Lucks	F16K 31/602
2020/0270031 A1 *	8/2020	Brieschke	B60P 3/36
2021/0078509 A1 *	3/2021	Van Beek	E03D 9/10

* cited by examiner

Primary Examiner — Lauren R Calve

(74) *Attorney, Agent, or Firm* — Harness, Dickey & Pierce, P.L.C.; Stephen T. Olson

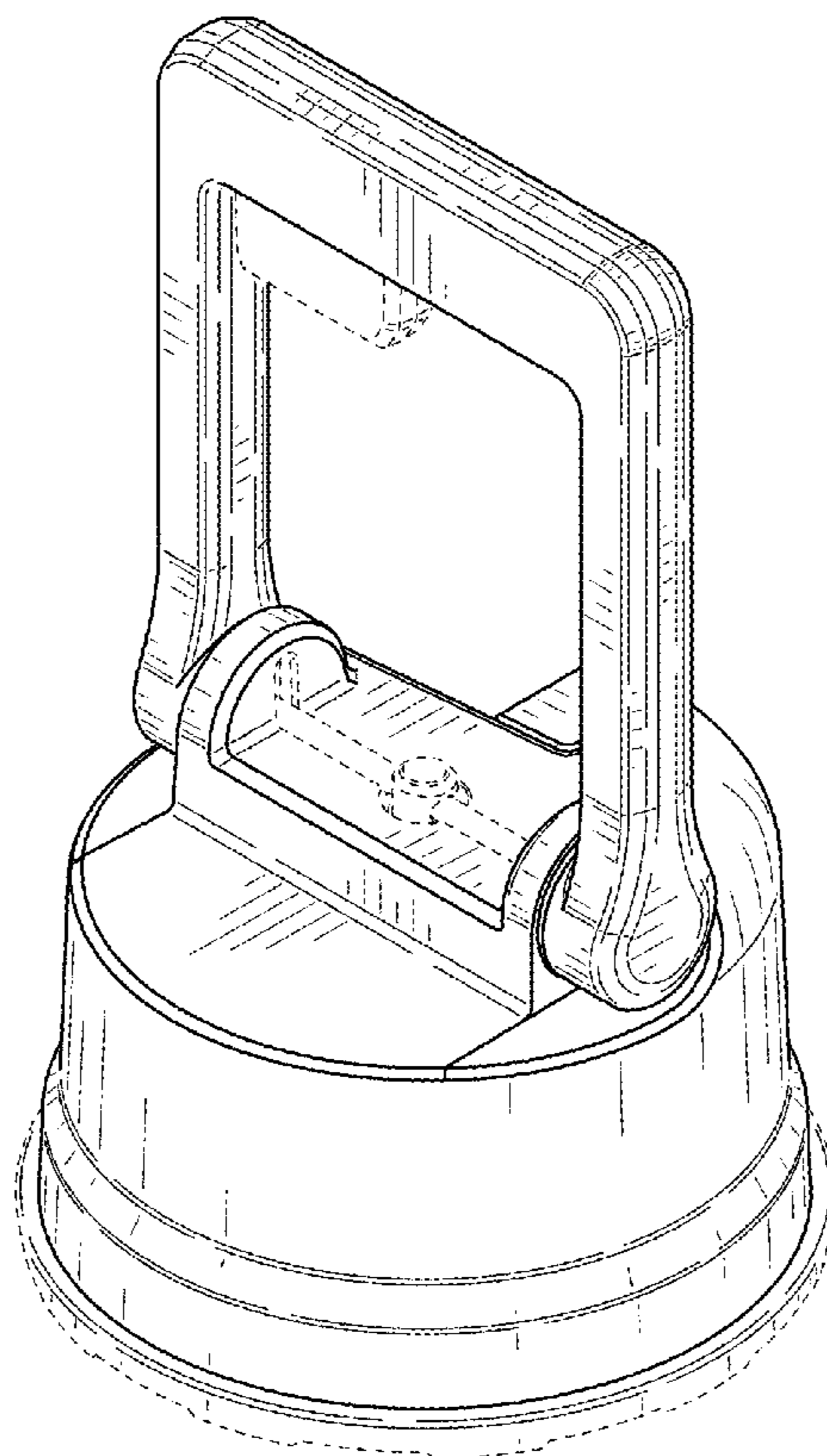
(57) **CLAIM**

The ornamental design for a discharge device for a wastewater management system of a recreational vehicle, as shown and described.

DESCRIPTION

FIG. 1 is a perspective view of a discharge device for a wastewater management system of a recreational vehicle in accordance with my design.
 FIG. 2 is a front view thereof.
 FIG. 3 is a rear view thereof.
 FIG. 4 is a left side view thereof.
 FIG. 5 is a right side view thereof; and,
 FIG. 6 is a top view thereof.
 The broken lines shown represent portions of the discharge device for a wastewater management system of a recreational vehicle that form no part of the claimed design.

1 Claim, 4 Drawing Sheets



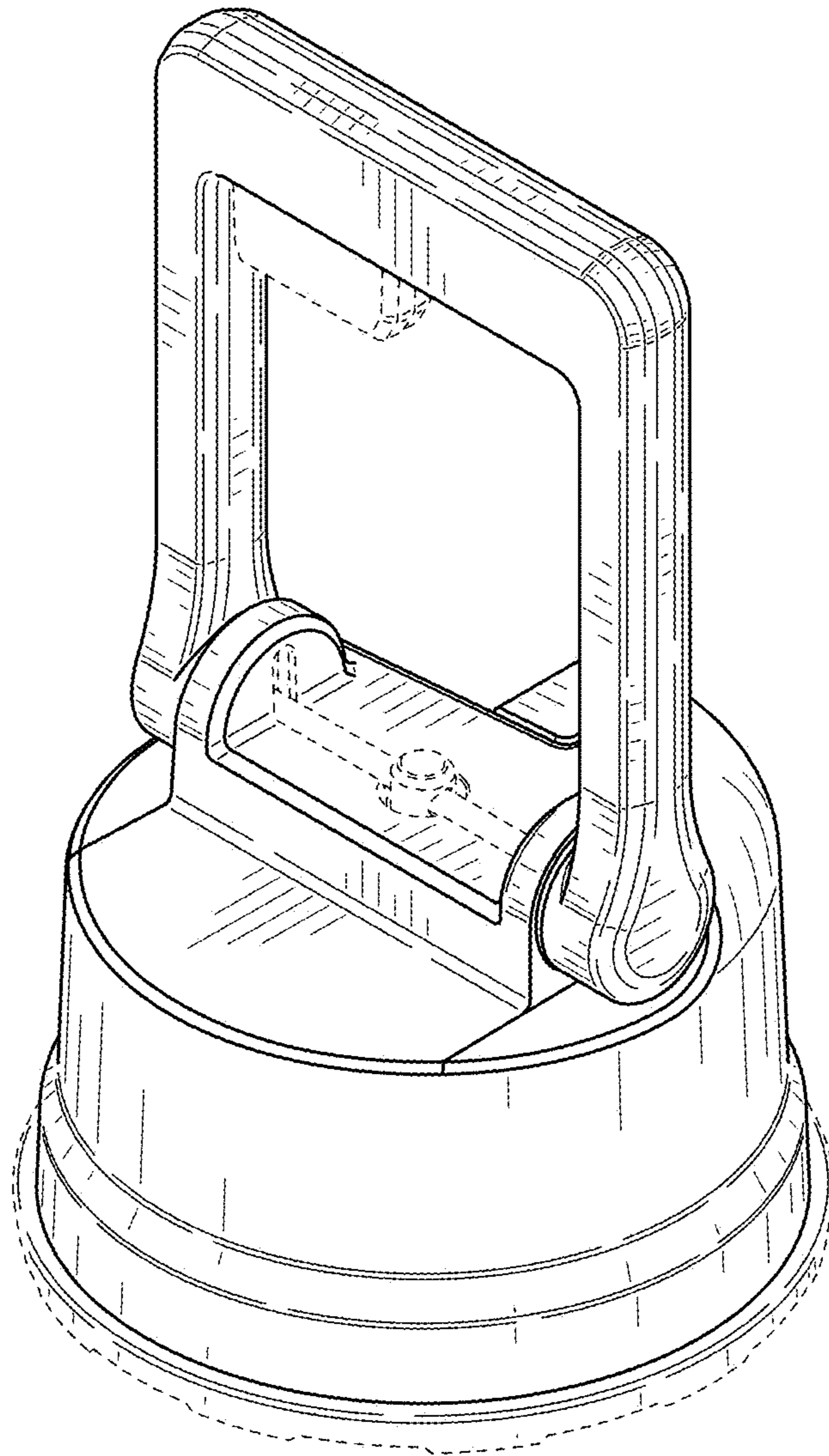


FIG. 1

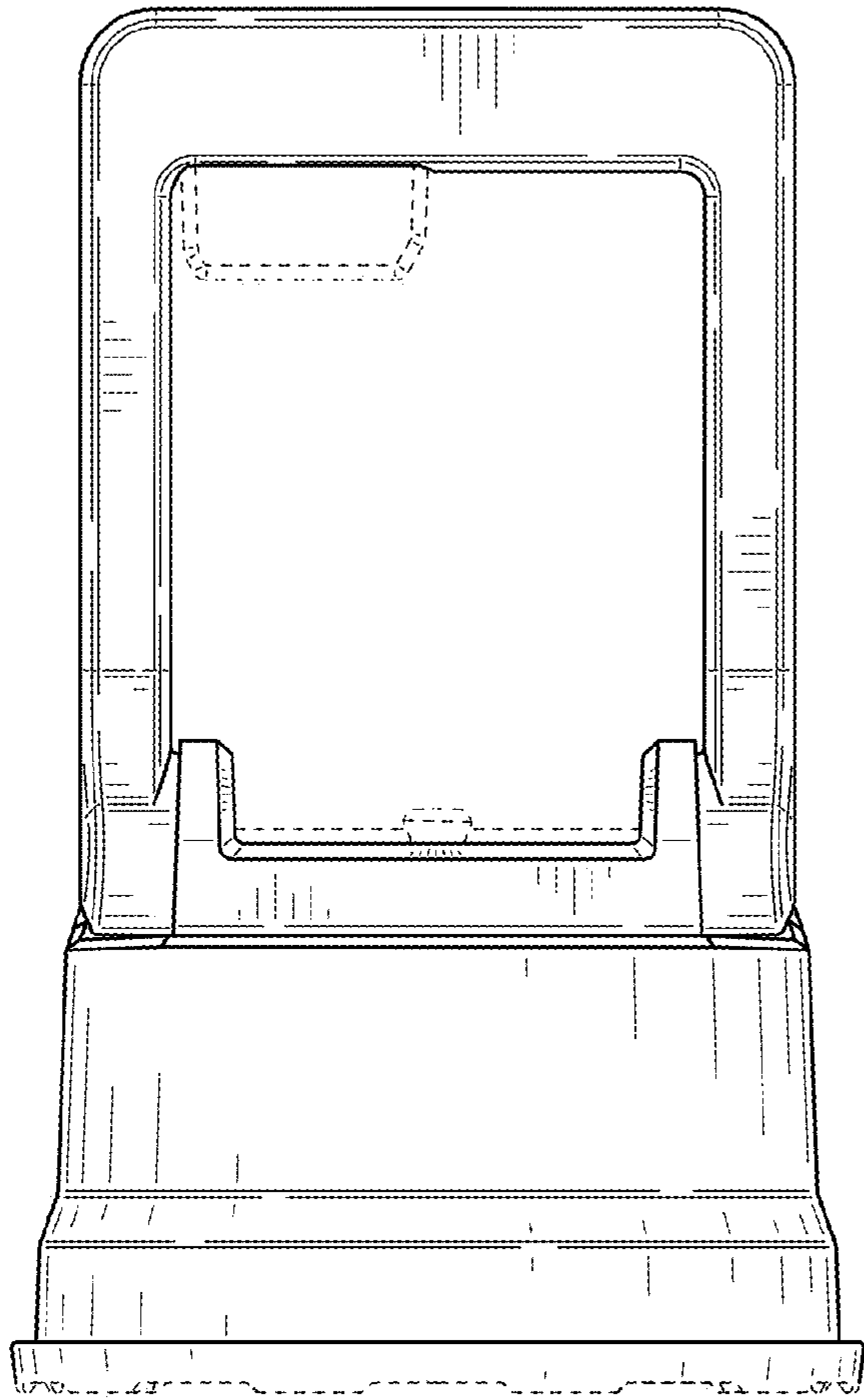


FIG. 2

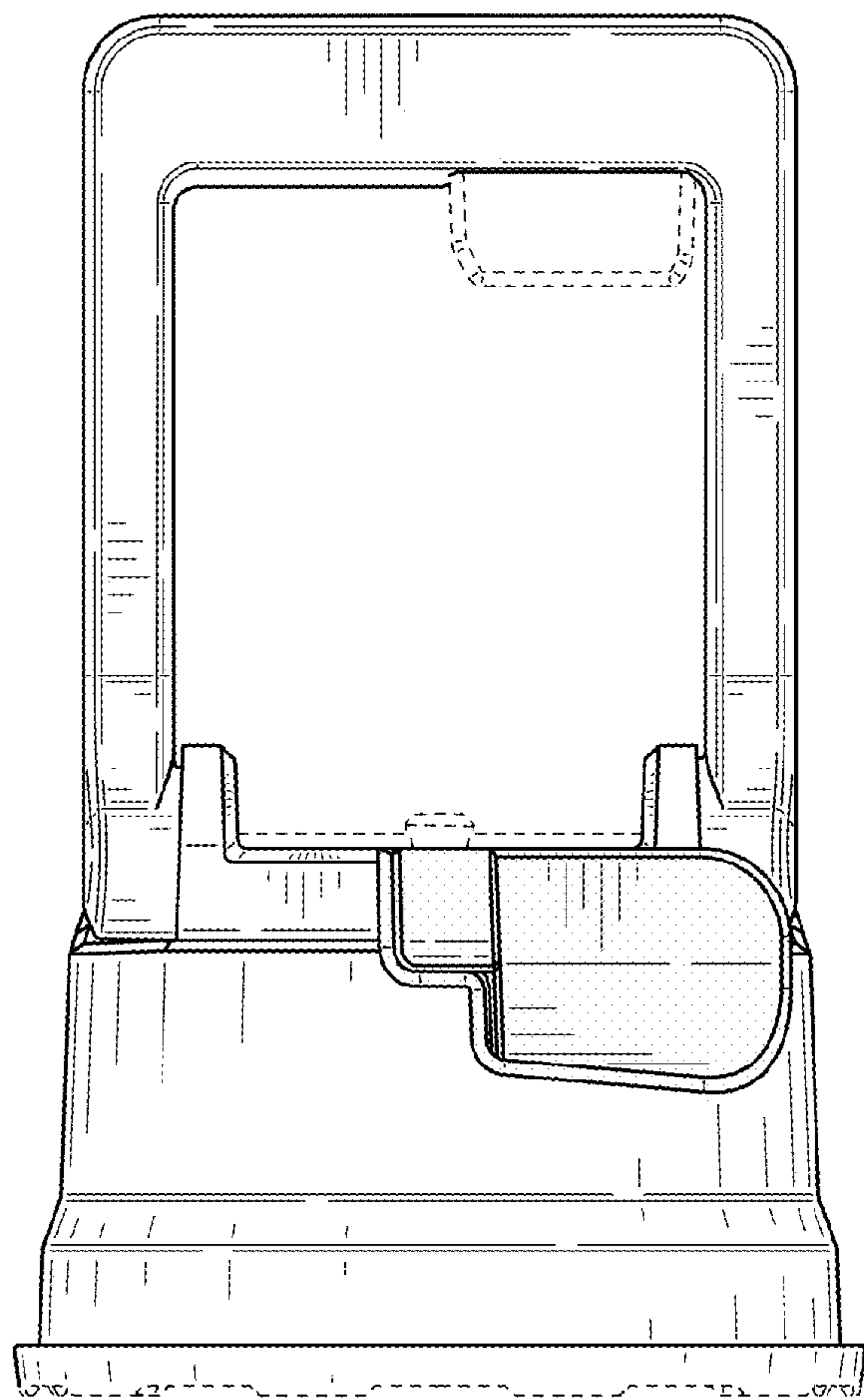


FIG. 3

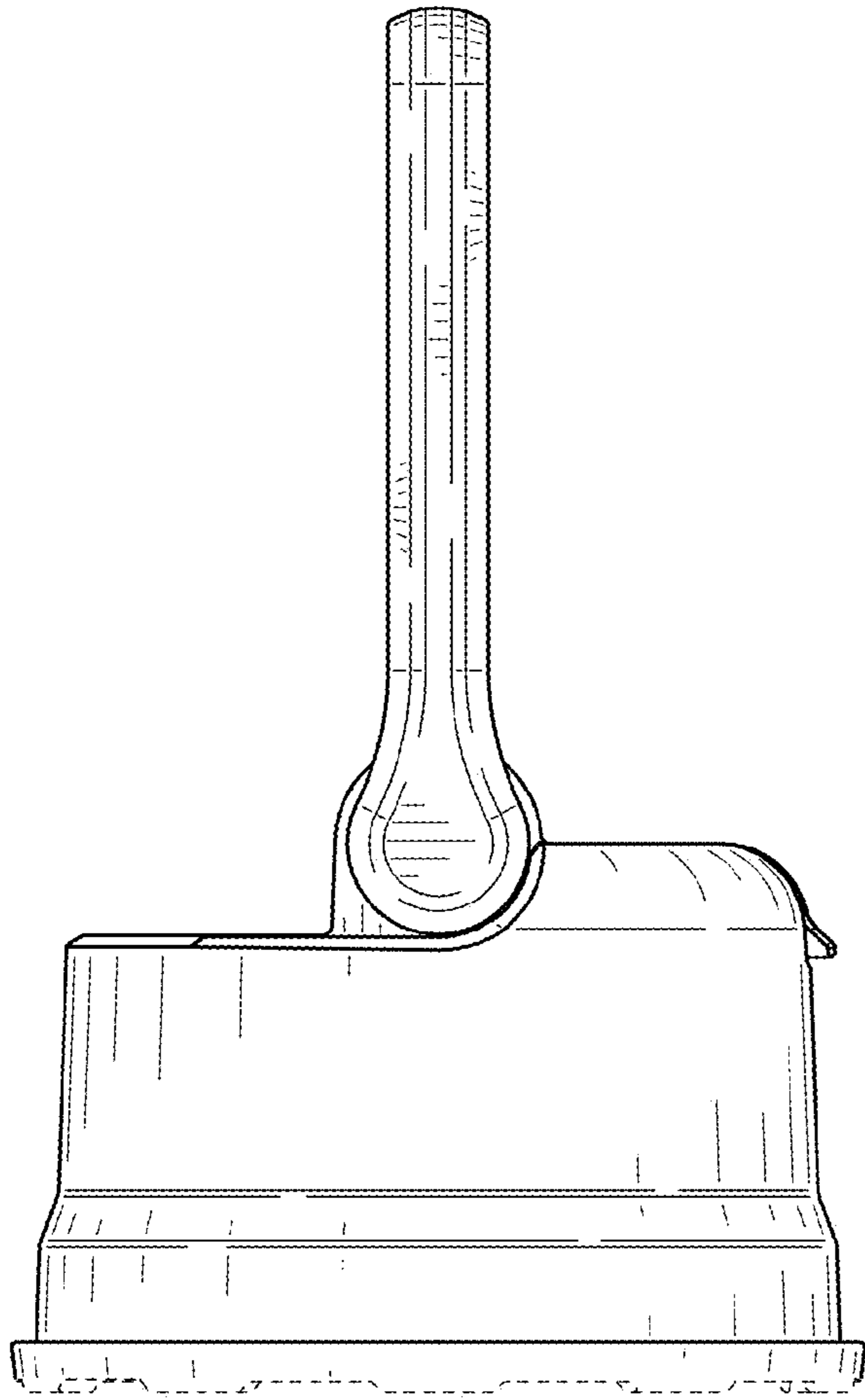


FIG. 4

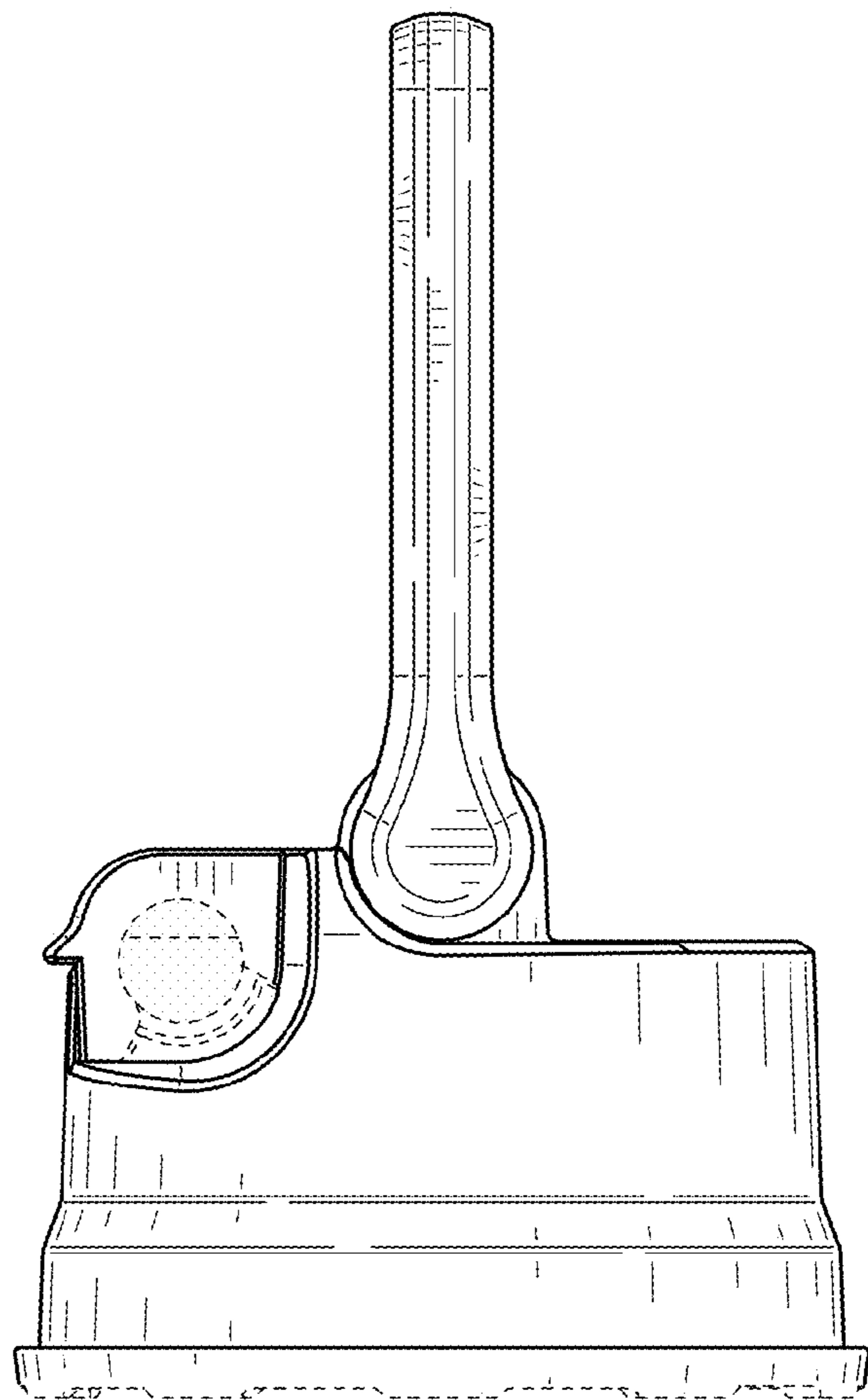


FIG. 5

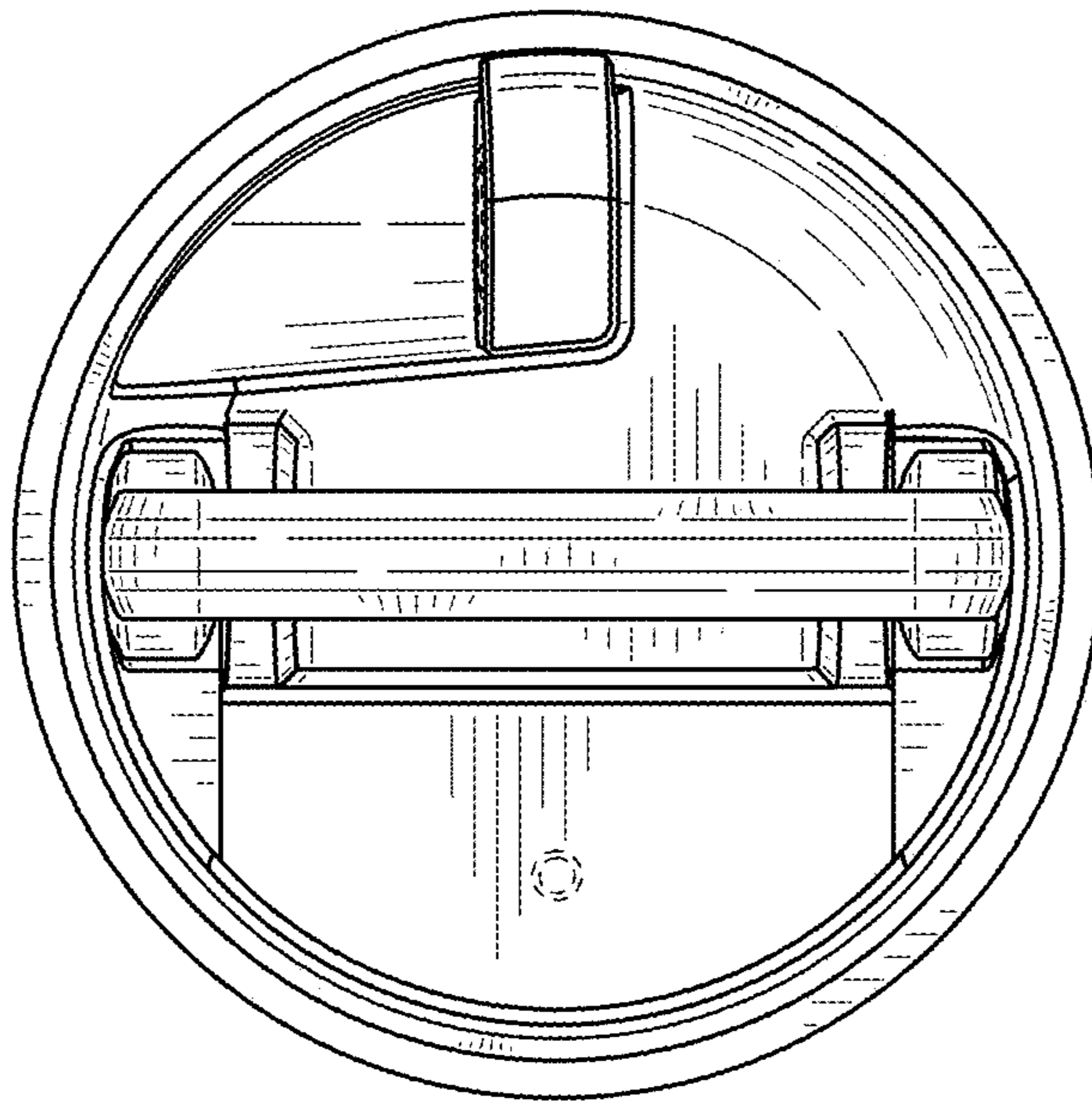


FIG. 6