



US00D967927S

(12) **United States Design Patent** (10) **Patent No.:** **US D967,927 S**
Kollmann et al. (45) **Date of Patent:** **** Oct. 25, 2022**

(54) **END PLATE FOR A FILTER ELEMENT**

(71) Applicant: **Mahle International GmbH**, Stuttgart (DE)

(72) Inventors: **Andreas Kollmann**, Eitweg (AT); **Patrick Wieler**, Urbach (DE)

(73) Assignee: **Mahle International GmbH**

(**) Term: **15 Years**

(21) Appl. No.: **29/684,518**

(22) Filed: **Mar. 21, 2019**

(51) **LOC (13) Cl.** **23-01**

(52) **U.S. Cl.**
USPC **D23/209**

(58) **Field of Classification Search**
USPC D23/200, 207, 209, 365; D9/500
CPC B01D 35/30; B01D 35/303; B01D 35/306;
B01D 2201/4046; B01D 27/08; B01D
46/2414; B01D 2201/162; B01D
2201/291; B01D 2201/4053; B01D
2201/4092; C02F 1/003
See application file for complete search history.

(56) **References Cited**

U.S. PATENT DOCUMENTS

6,251,273 B1 6/2001 Jawurek et al.
D599,880 S * 9/2009 Rampen D23/209
D854,650 S * 7/2019 Hellman D23/209
D926,286 S * 7/2021 Hellman B01D 35/16
D23/209

2018/0161710 A1 6/2018 Kollmann et al.
2020/0179843 A1* 6/2020 Amaral B01D 35/16

FOREIGN PATENT DOCUMENTS

DE 3903675 A1 8/1990
DE 19707132 A1 8/1998

DE 19904981 A1 8/2000
DE 102008011616 A1 9/2008
DE 102009024699 A1 12/2010
DE 102012000876 C5 10/2014
WO WO-0110533 A1 2/2001
WO WO-2005123216 A1 12/2005

OTHER PUBLICATIONS

English abstract for DE-102012000876-C5.
English abstract for DE-3903675-A1.
English abstract for DE-102009024699-A1.
English abstract for DE-19904981-A1.
English abstract for DE-102008011616-A1.

* cited by examiner

Primary Examiner — Calvin E Vansant

(74) *Attorney, Agent, or Firm* — Fishman Stewart PLLC

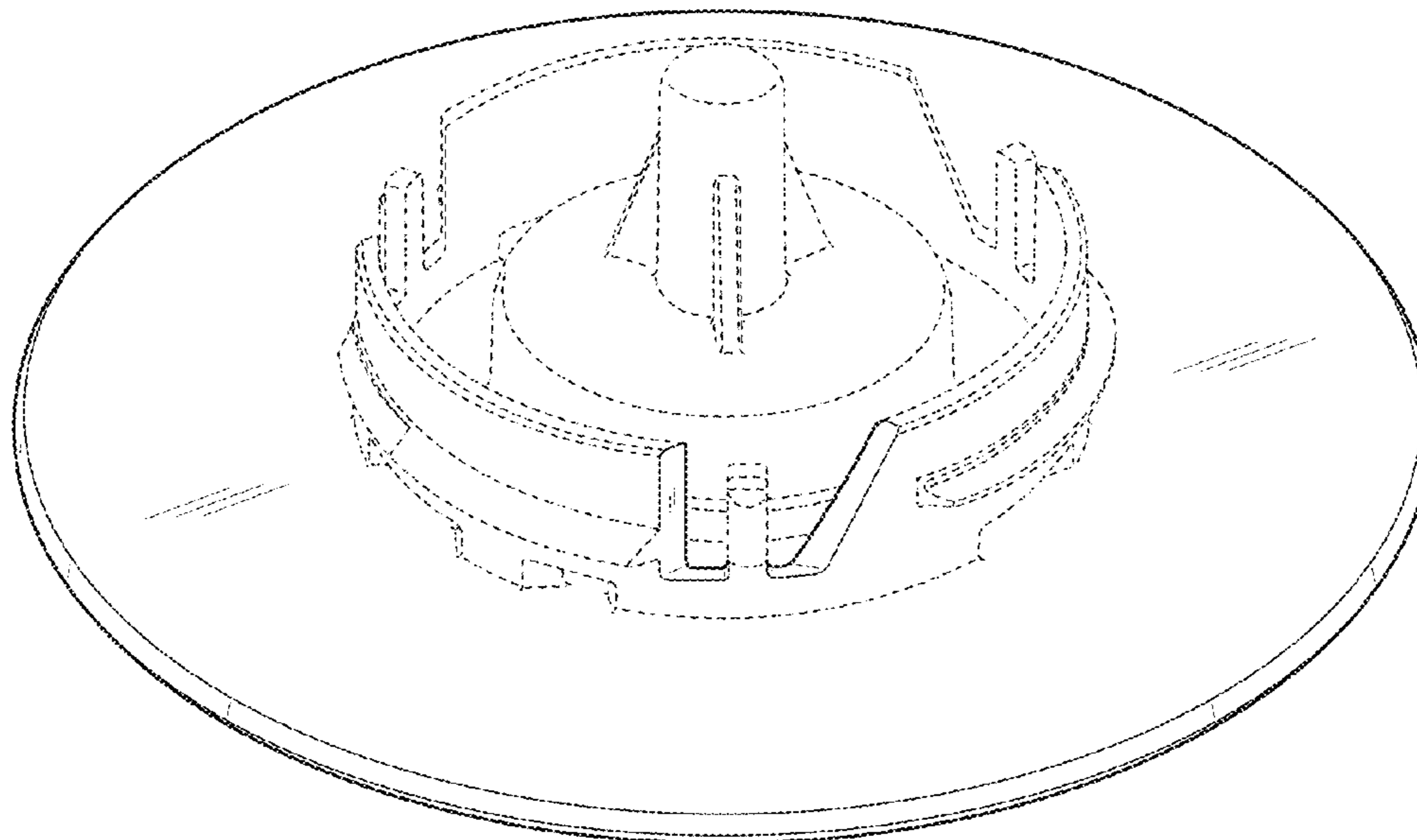
(57) **CLAIM**

The ornamental design for an end plate for a filter element, as shown and described.

DESCRIPTION

FIG. 1 is a top perspective view an end plate for a filter element;
FIG. 2 is a bottom perspective view of an end plate for a filter element;
FIG. 3 is a front view of an end plate for a filter element;
FIG. 4 is a back view of an end plate for a filter element;
FIG. 5 is a top view of an end plate for a filter element;
FIG. 6 is a bottom view of an end plate for a filter element;
FIG. 7 is a left-side view of an end plate for a filter element;
and,
FIG. 8 is a right-side view of an end plate for a filter element.
The broken lines in the drawings depict portions of the end plate for a filter element and form no part of the claimed design.

1 Claim, 5 Drawing Sheets



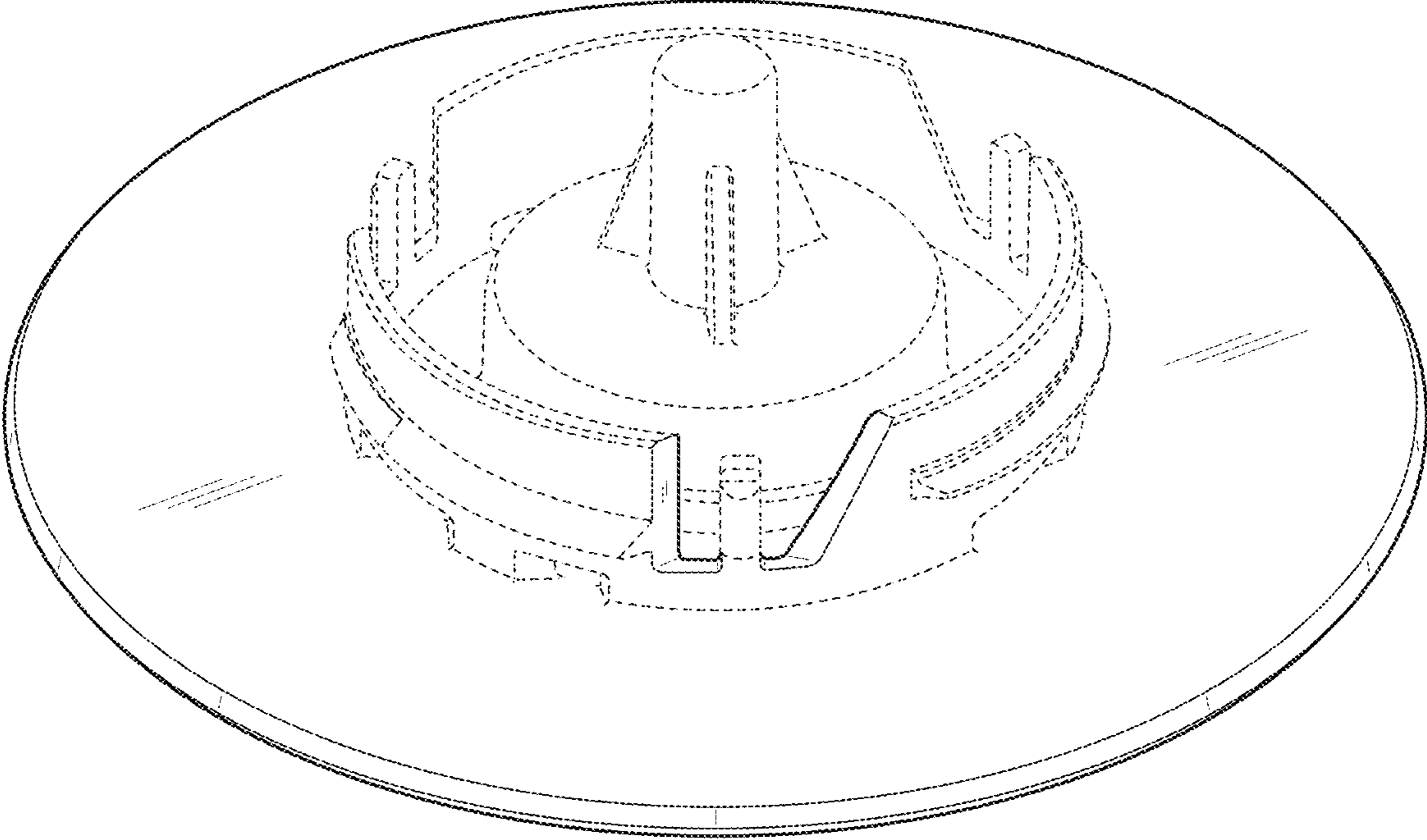


FIG. 1

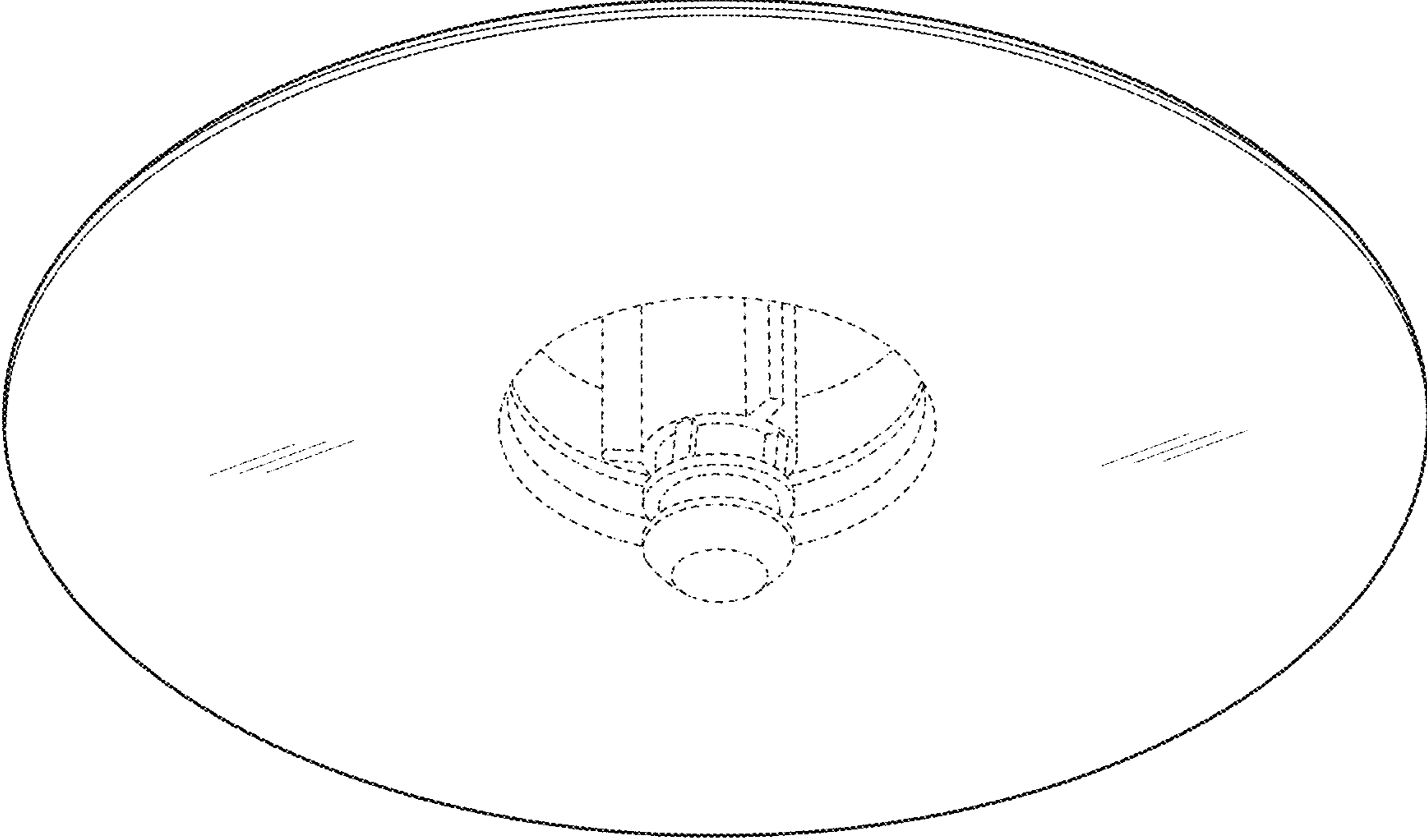


FIG. 2

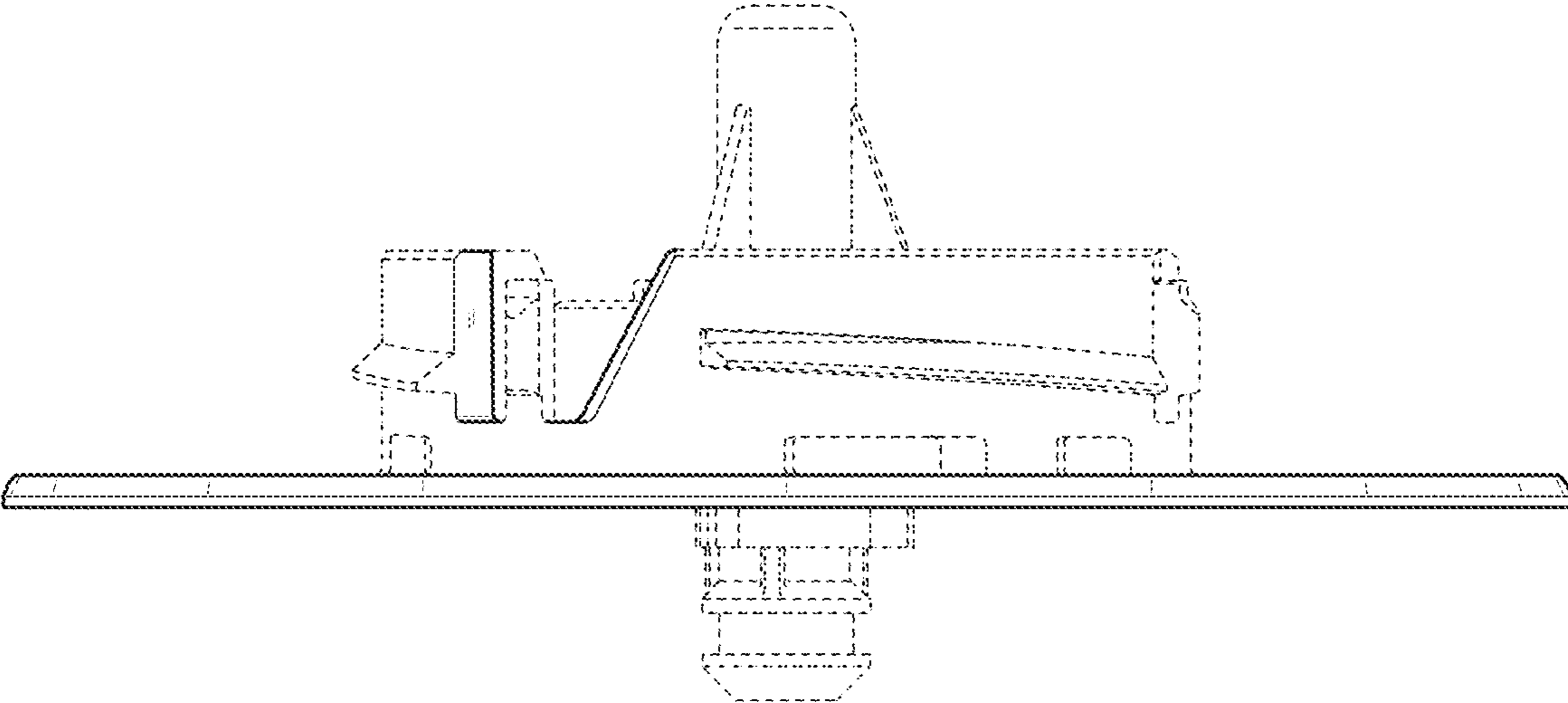


FIG. 3

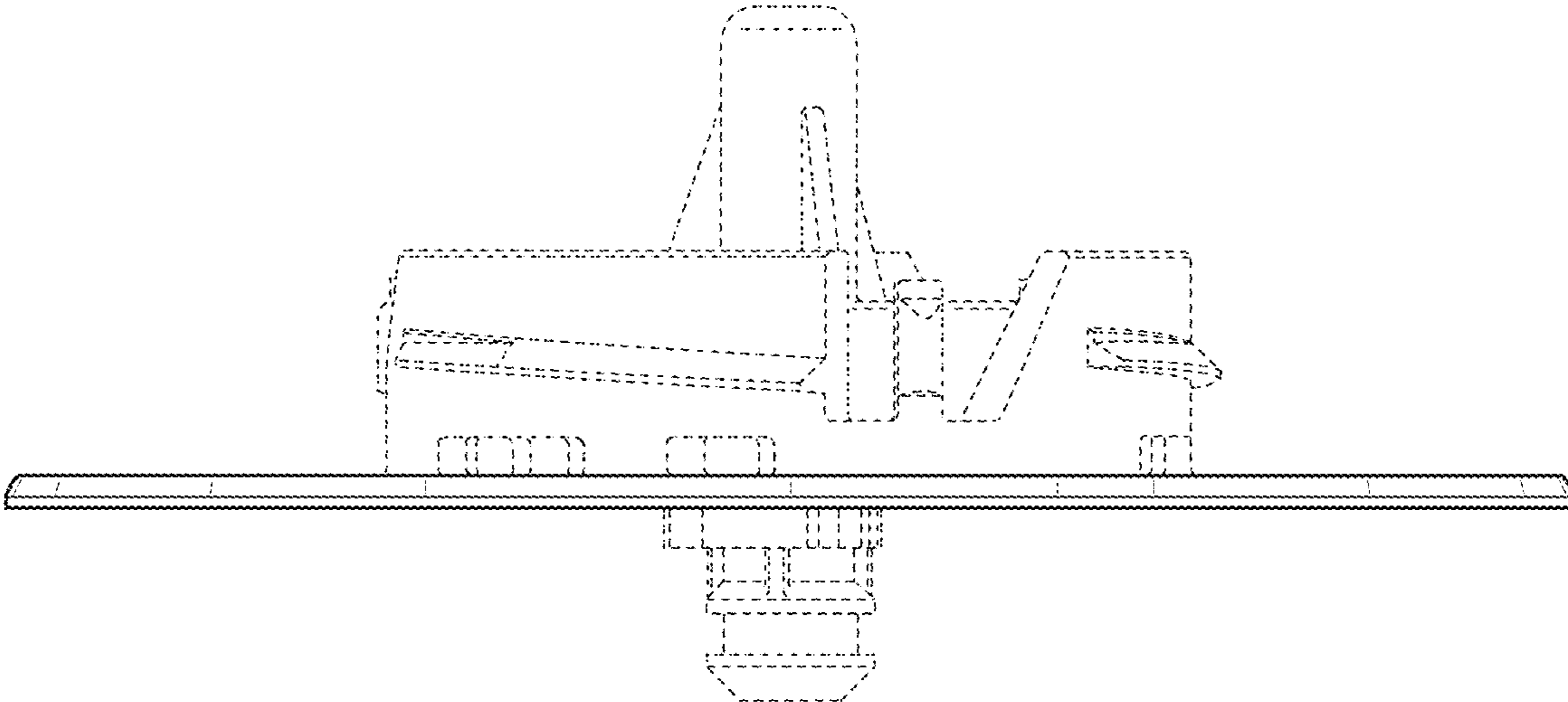


FIG. 4

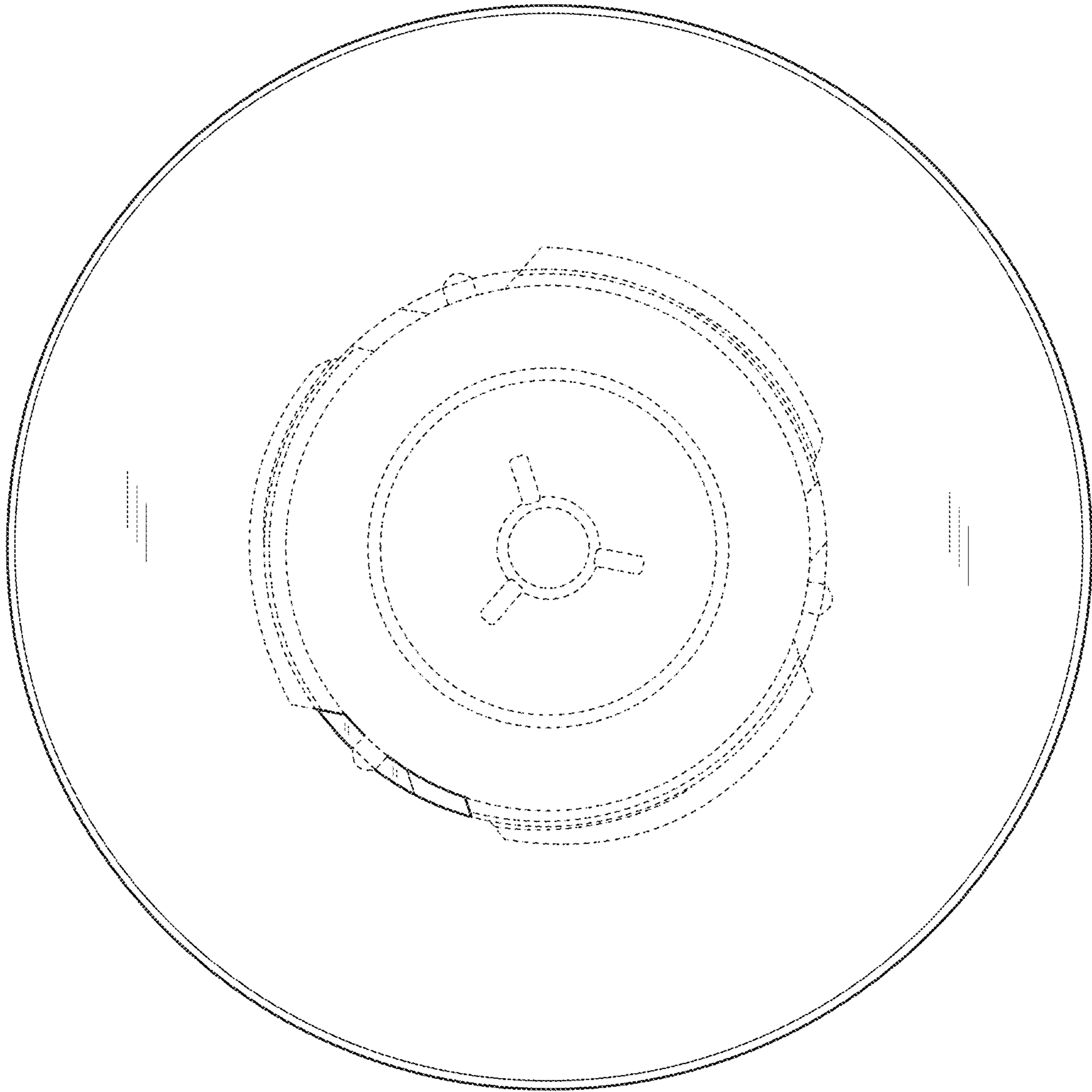


FIG. 5

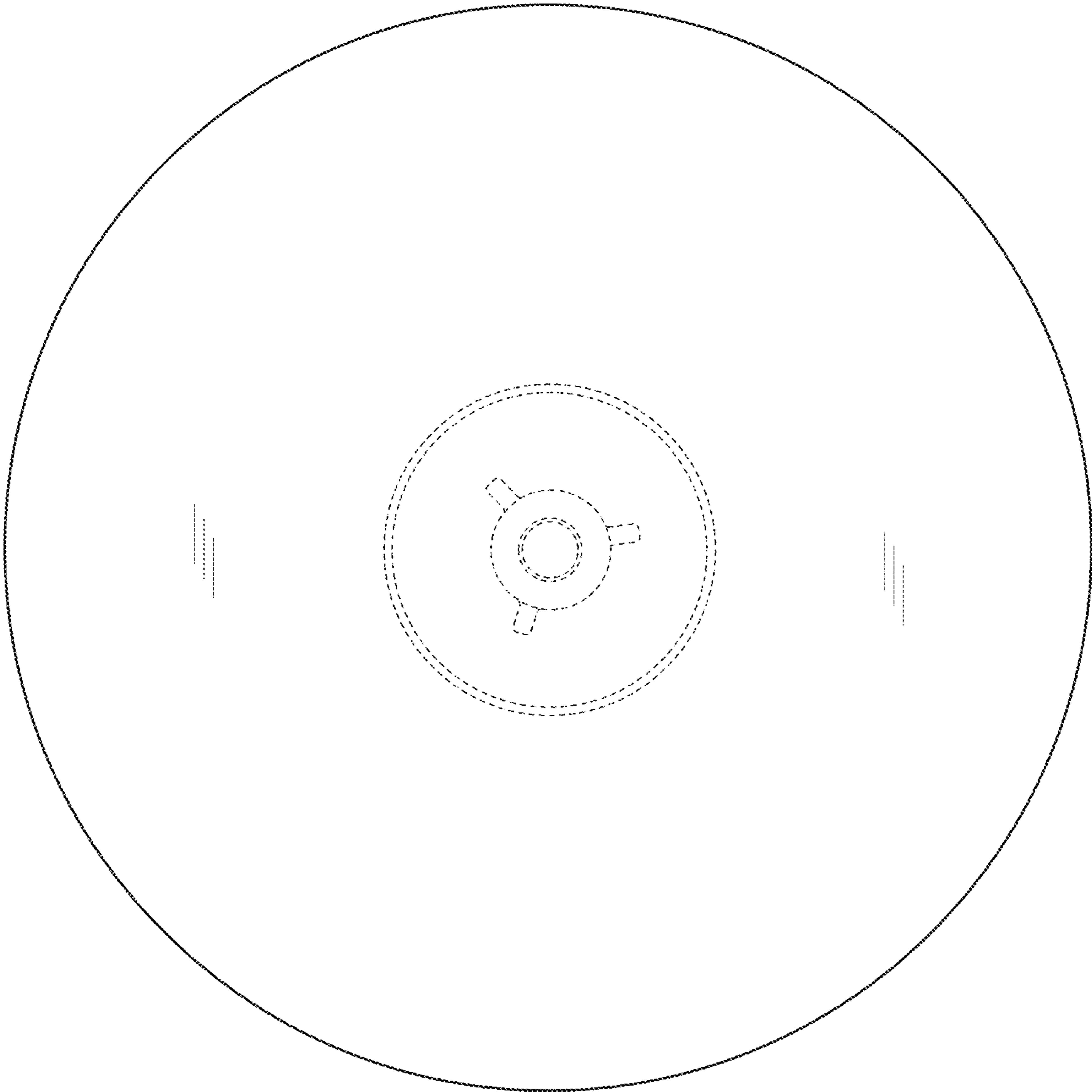


FIG. 6

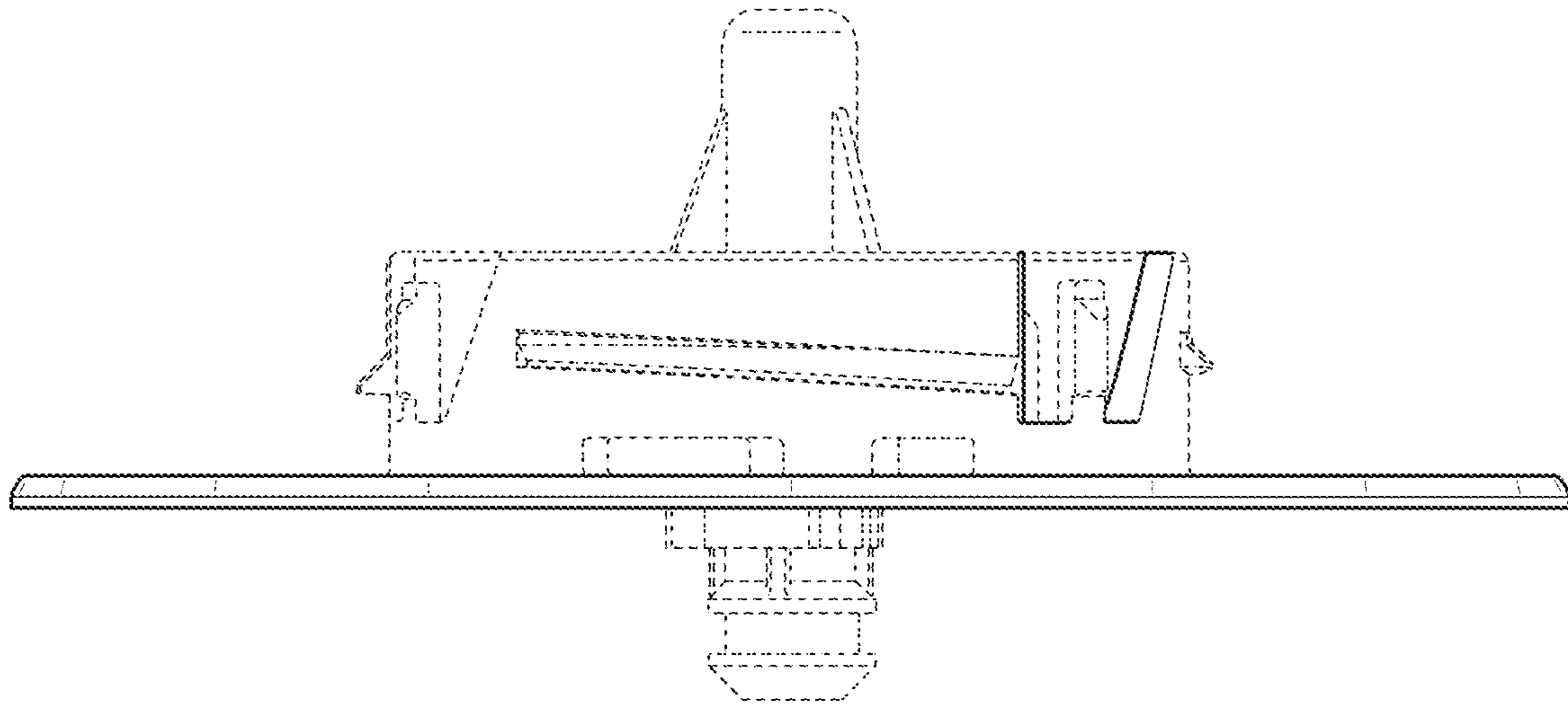


FIG. 7

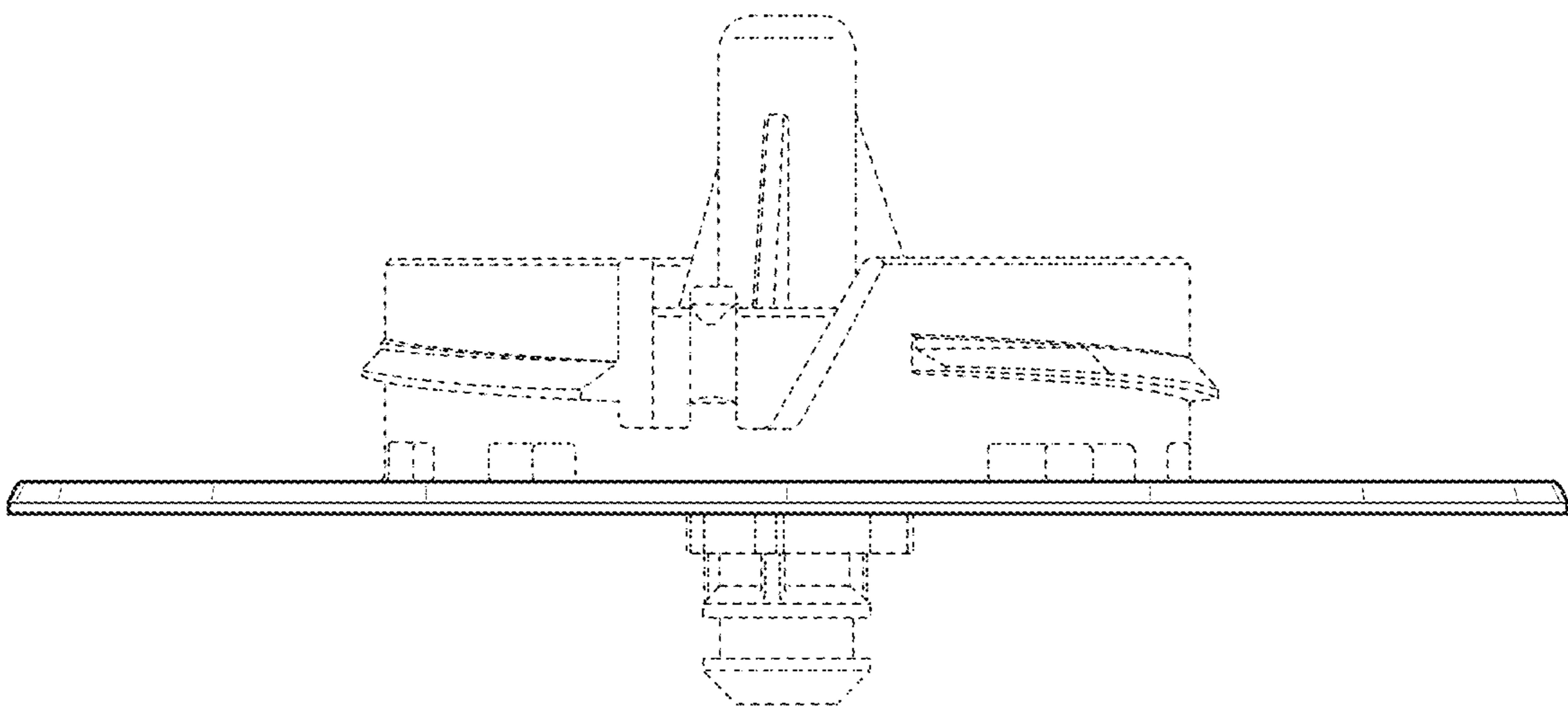


FIG. 8