

US00D967924S

(12) **United States Design Patent** (10) **Patent No.:** **US D967,924 S**  
**Kollmann et al.** (45) **Date of Patent:** **\*\* Oct. 25, 2022**

(54) **END PLATE FOR A FILTER ELEMENT**

(71) Applicant: **Mahle International GmbH**, Stuttgart (DE)

(72) Inventors: **Andreas Kollmann**, Eitweg (AT); **Patrick Wieler**, Urbach (DE)

(73) Assignee: **Mahle International GmbH**

(\*\*) Term: **15 Years**

(21) Appl. No.: **29/684,491**

(22) Filed: **Mar. 21, 2019**

(51) **LOC (13) Cl.** ..... **23-01**

(52) **U.S. Cl.**  
USPC ..... **D23/209**

(58) **Field of Classification Search**  
USPC ..... D23/200, 207, 209, 365, 260, 261;  
D9/435, 545, 503, 746  
CPC .... B01D 35/30; B01D 35/303; B01D 35/306;  
B01D 2201/4046; B01D 27/08; B01D  
46/2414; B01D 2201/162; B01D  
2201/291; B01D 2201/4053; B01D  
2201/4092; C02F 1/003  
See application file for complete search history.

(56) **References Cited**

**U.S. PATENT DOCUMENTS**

6,251,273 B1 6/2001 Jawurek et al.  
D599,880 S \* 9/2009 Rampen ..... D23/209  
D854,650 S \* 7/2019 Hellman ..... D23/209  
D926,286 S \* 7/2021 Hellman ..... B01D 35/16  
D23/209

2018/0161710 A1 6/2018 Kollmann et al.  
2020/0179843 A1\* 6/2020 Amaral ..... B01D 35/16

**FOREIGN PATENT DOCUMENTS**

DE 3903675 A1 8/1990  
DE 19707132 A1 8/1998

DE 19904981 A1 8/2000  
DE 102008011616 A1 9/2008  
DE 102009024699 A1 12/2010  
DE 102012000876 C5 10/2014  
WO WO-0110533 A1 2/2001  
WO WO-2005123216 A1 12/2005

**OTHER PUBLICATIONS**

English abstract for DE-102012000876-C5.  
English abstract for DE-3903675-A1.  
English abstract for DE-102009024699-A1.  
English abstract for DE-19904981-A1.  
English abstract for DE-102008011616-A1.

\* cited by examiner

*Primary Examiner* — Calvin E Vansant

(74) *Attorney, Agent, or Firm* — Fishman Stewart PLLC

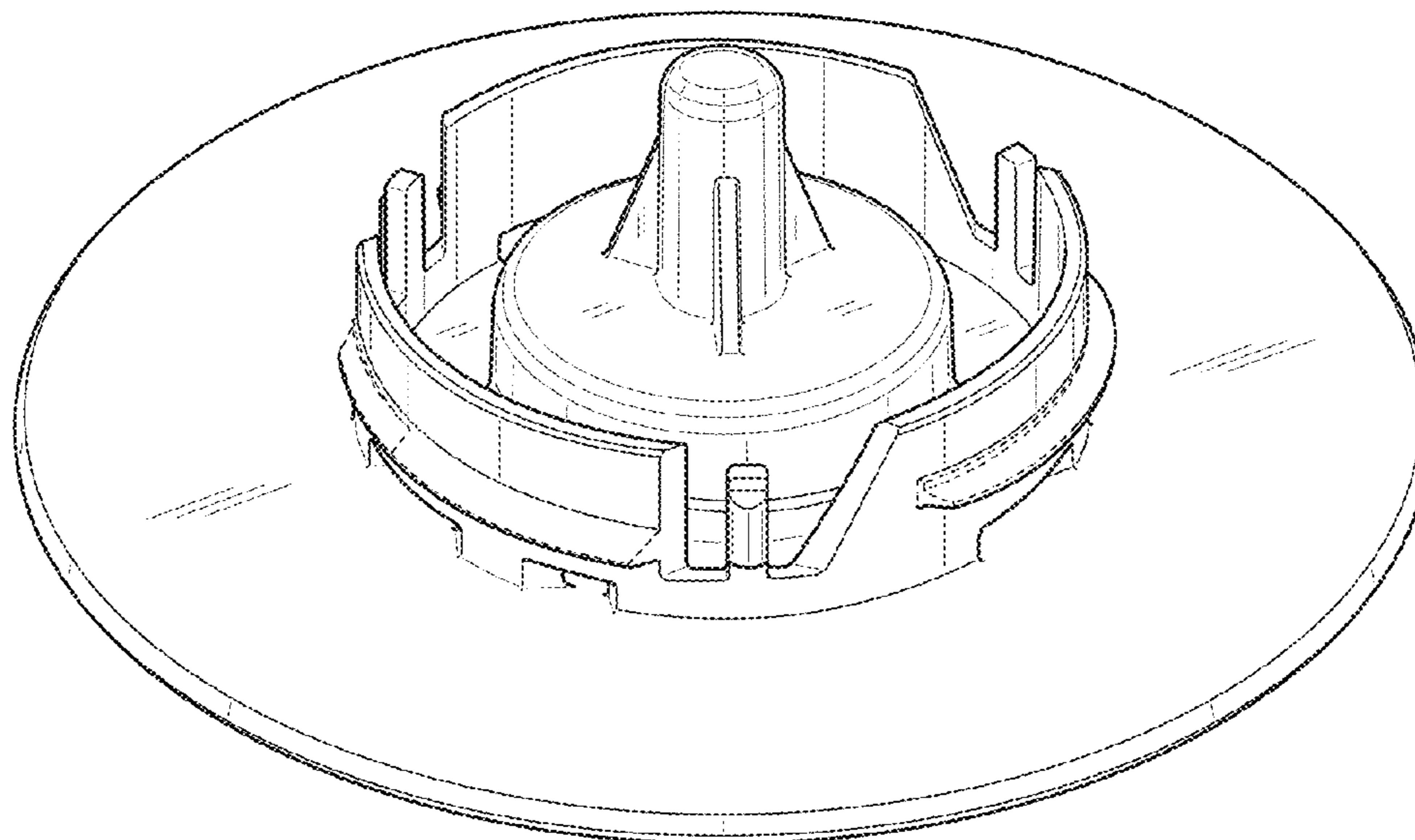
(57) **CLAIM**

The ornamental design for an end plate for a filter element, as shown and described.

**DESCRIPTION**

FIG. 1 is a top perspective view an end plate for a filter element;  
FIG. 2 is a bottom perspective view of an end plate for a filter element;  
FIG. 3 is a front view of an end plate for a filter element;  
FIG. 4 is a back view of an end plate for a filter element;  
FIG. 5 is a top view of an end plate for a filter element;  
FIG. 6 is a bottom view of an end plate for a filter element;  
FIG. 7 is a left-side view of an end plate for a filter element;  
and,  
FIG. 8 is a right-side view of an end plate for a filter element.  
The broken lines in the drawings depict portions of the end plate for a filter element and form no part of the claimed design.

**1 Claim, 5 Drawing Sheets**



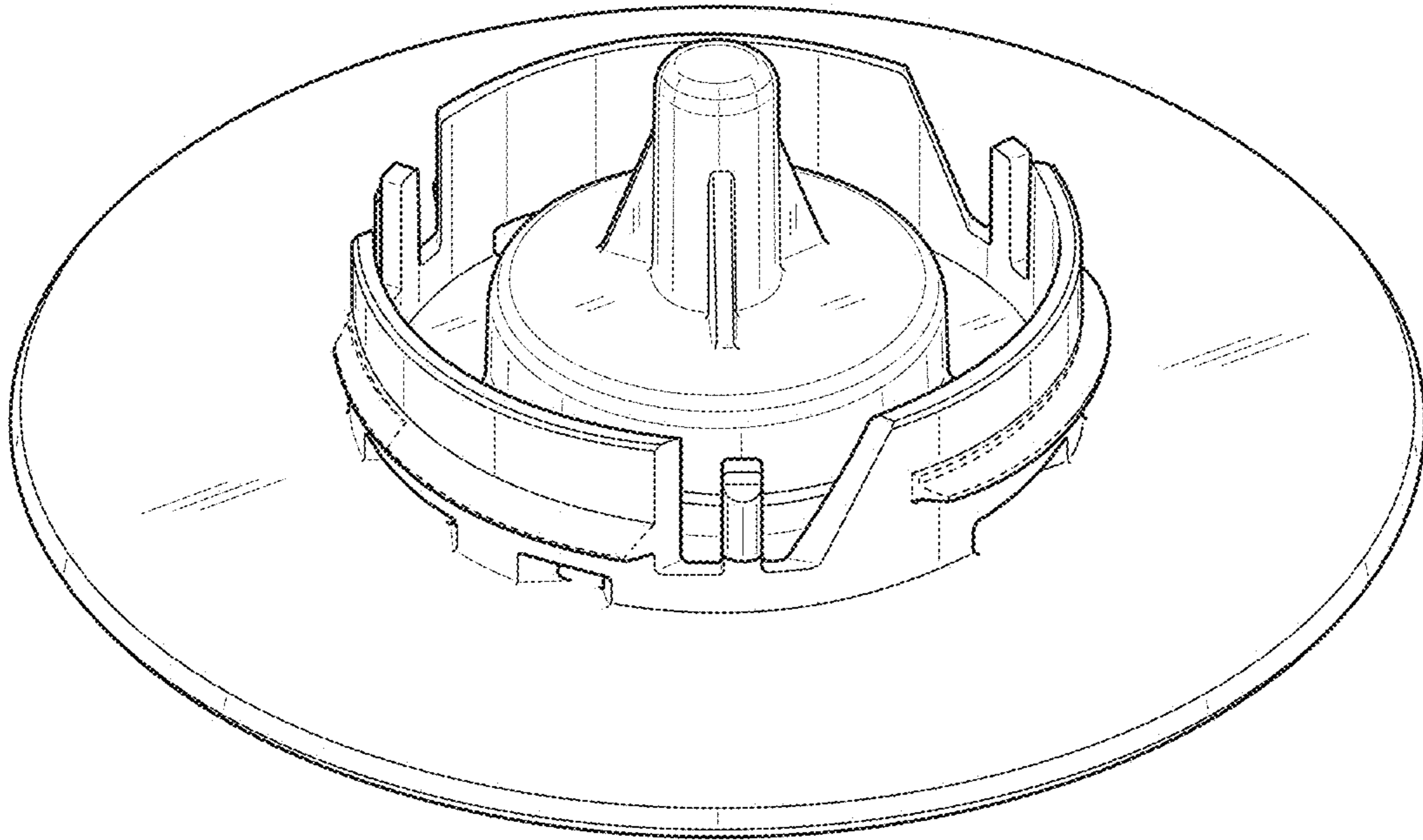


FIG. 1

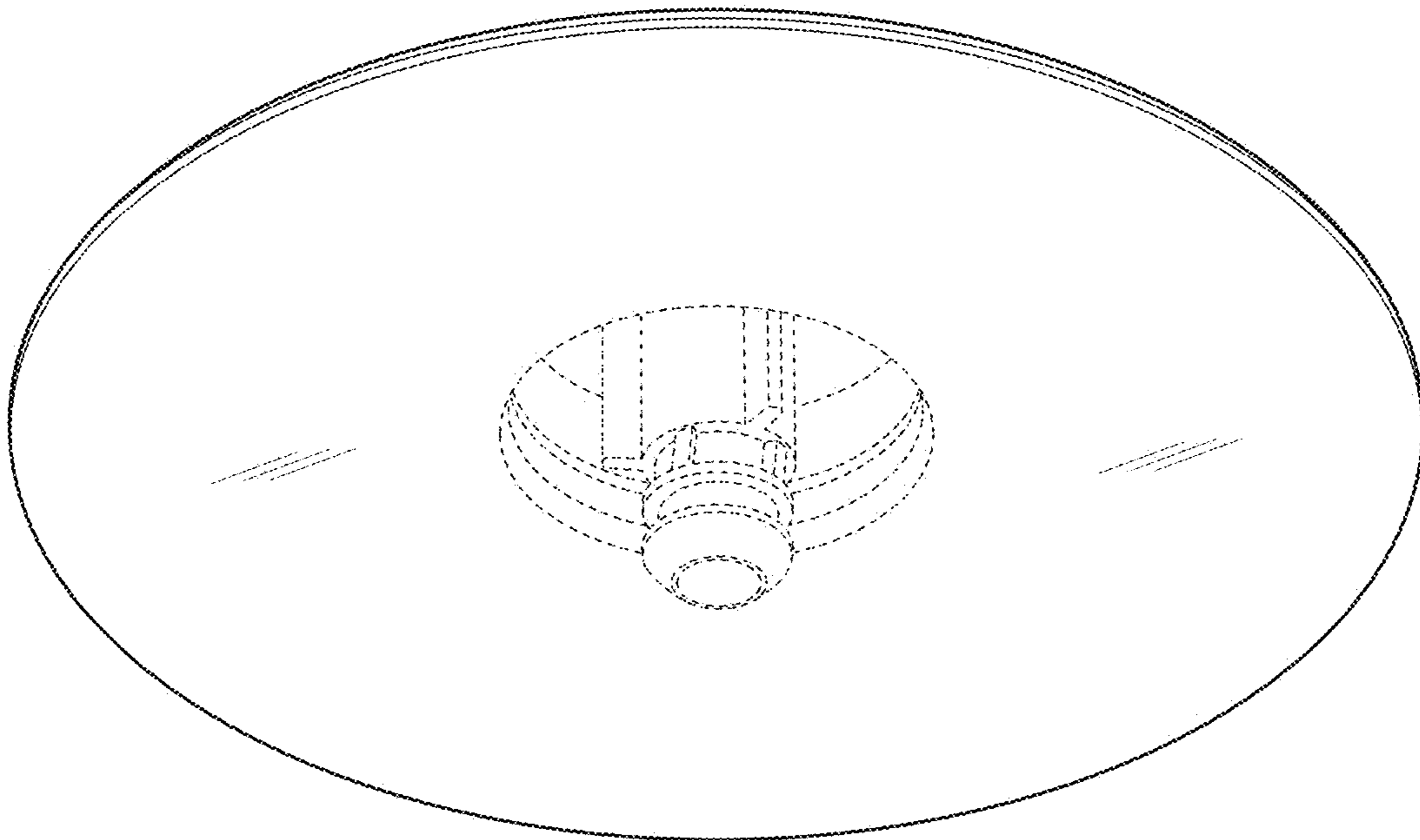


FIG. 2

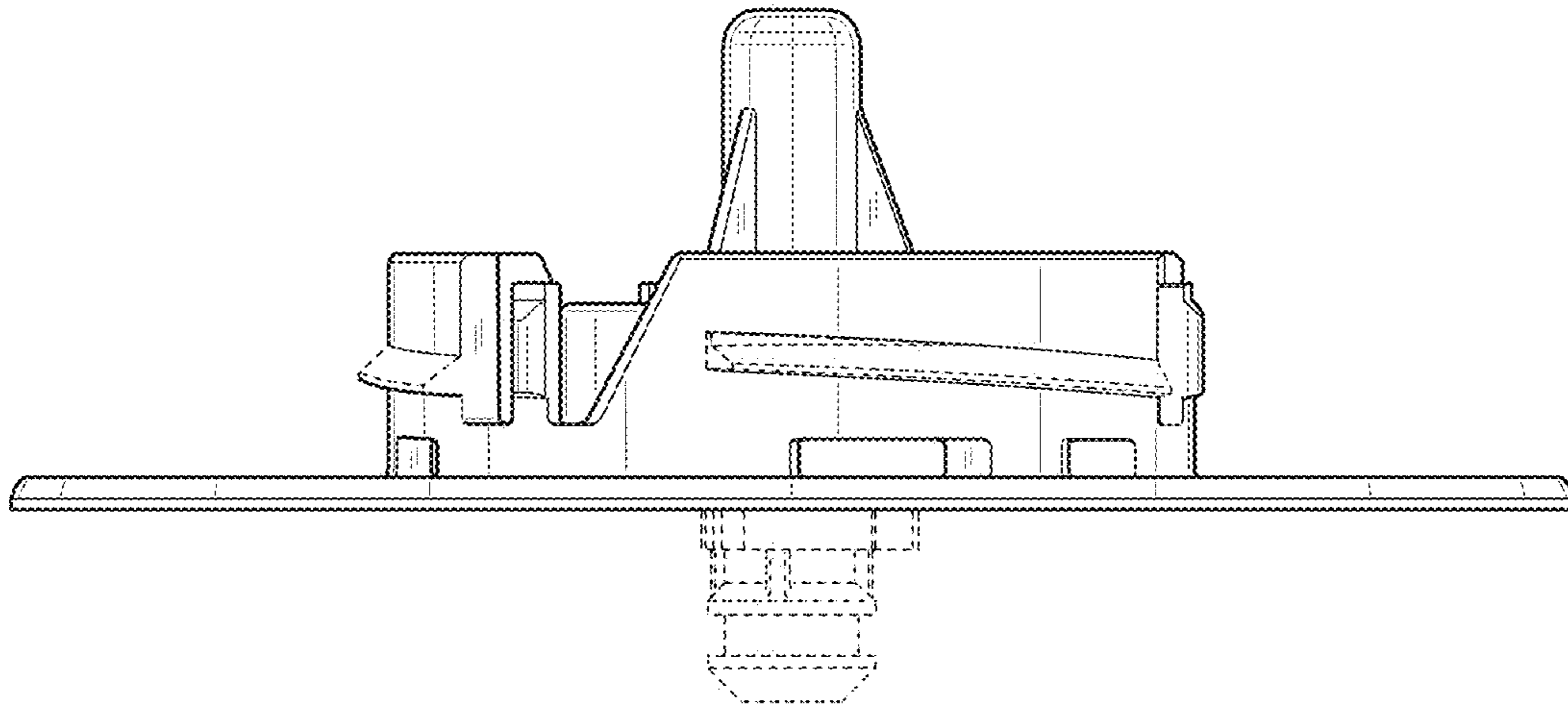


FIG. 3

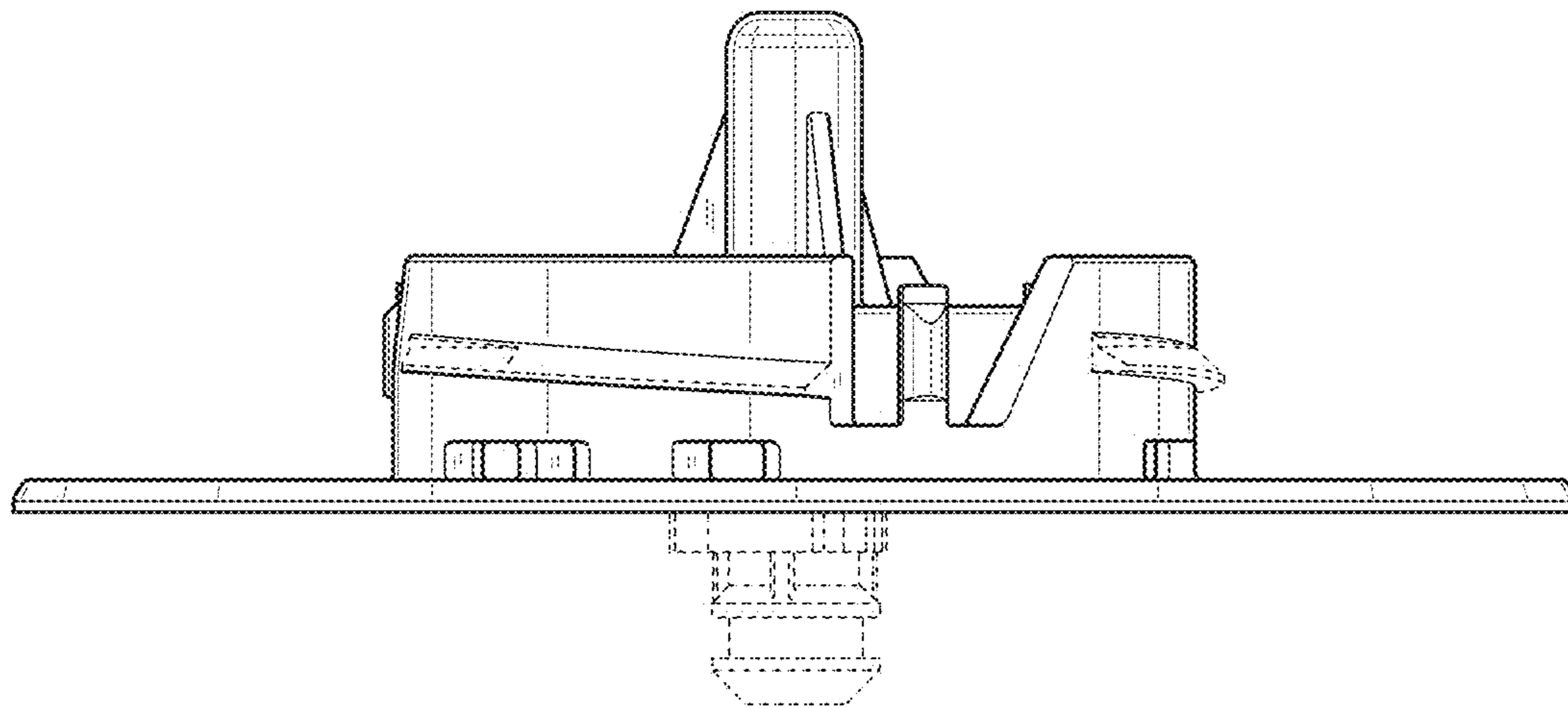


FIG. 4

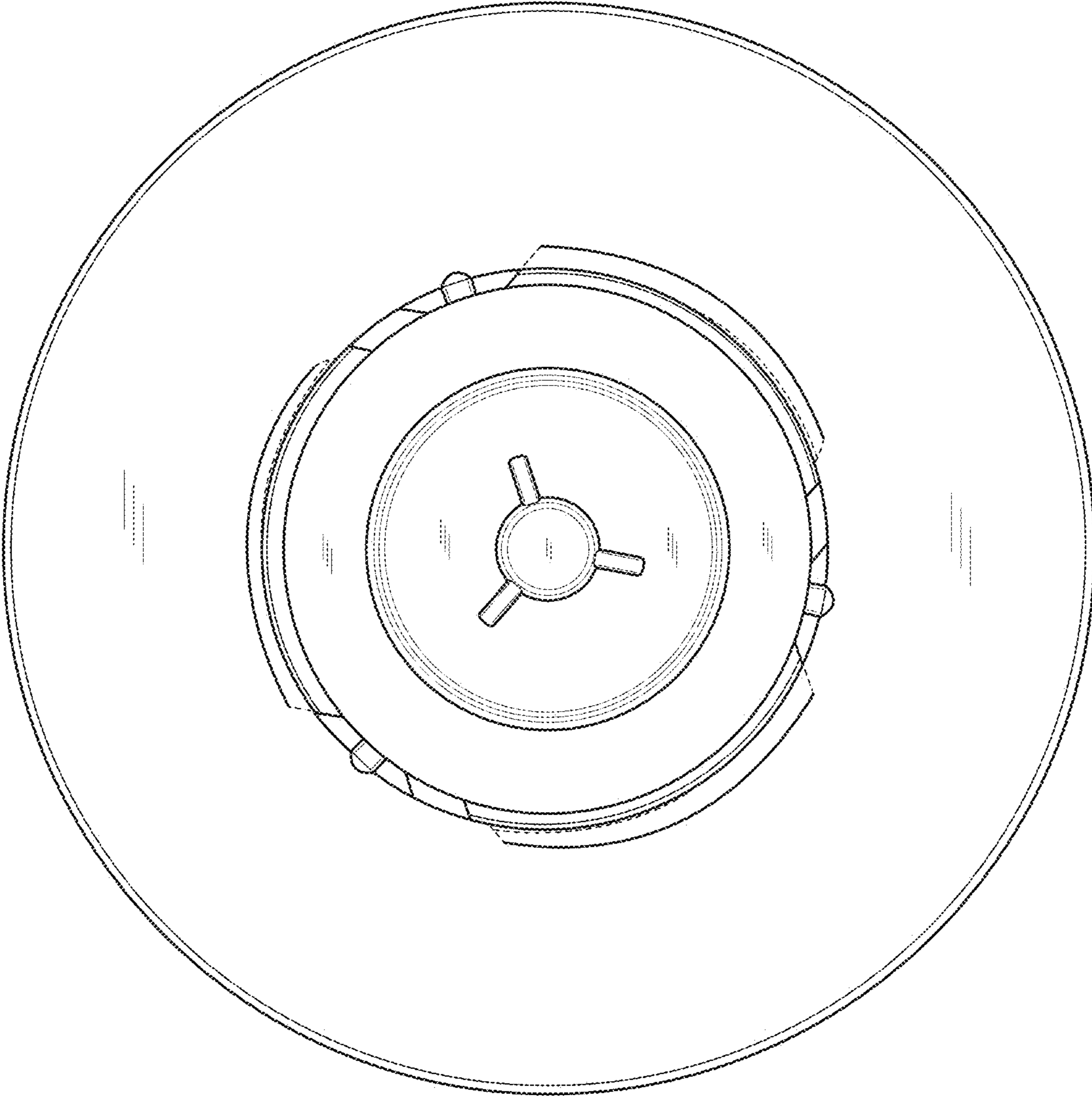


FIG. 5

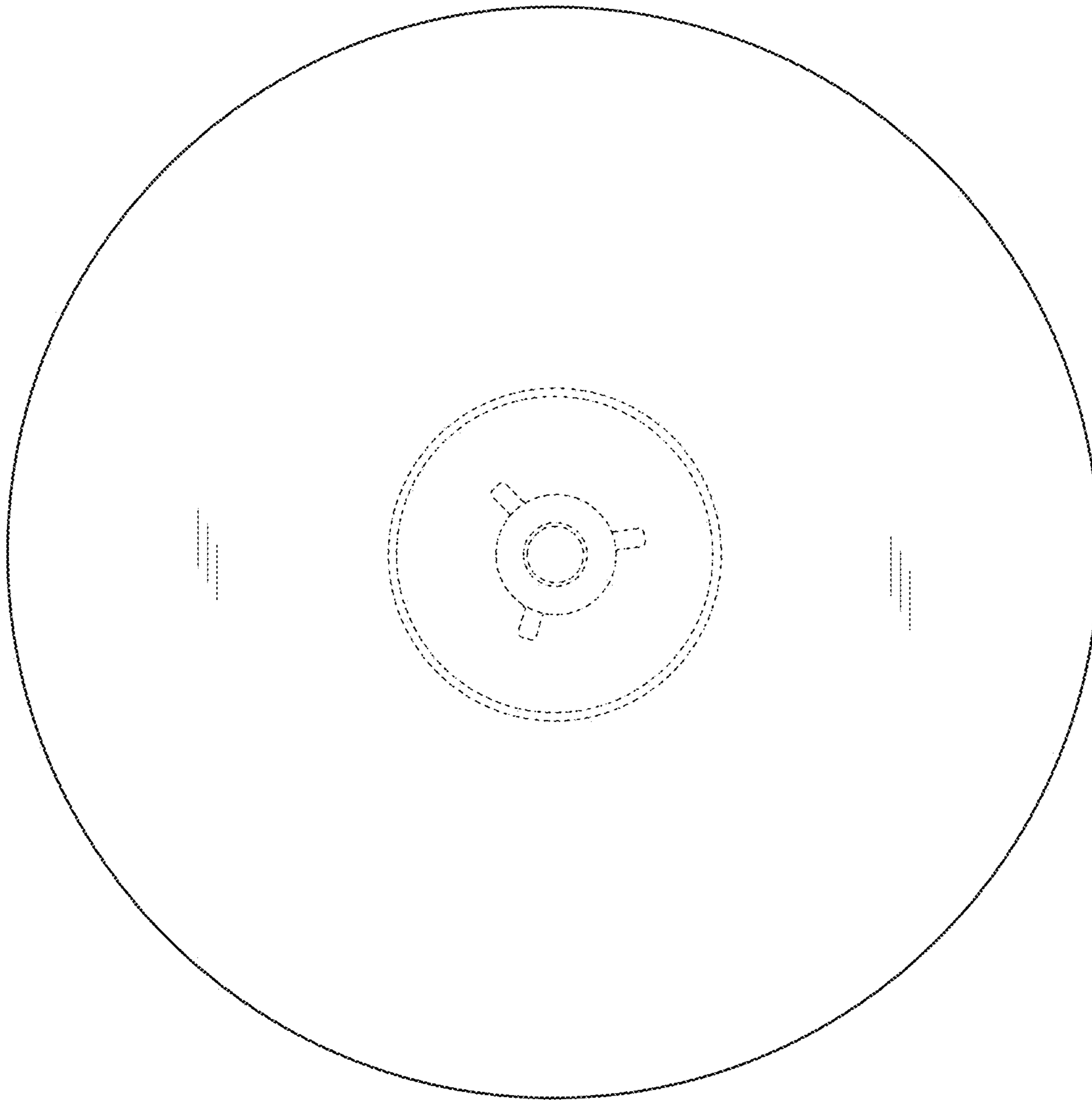


FIG. 6

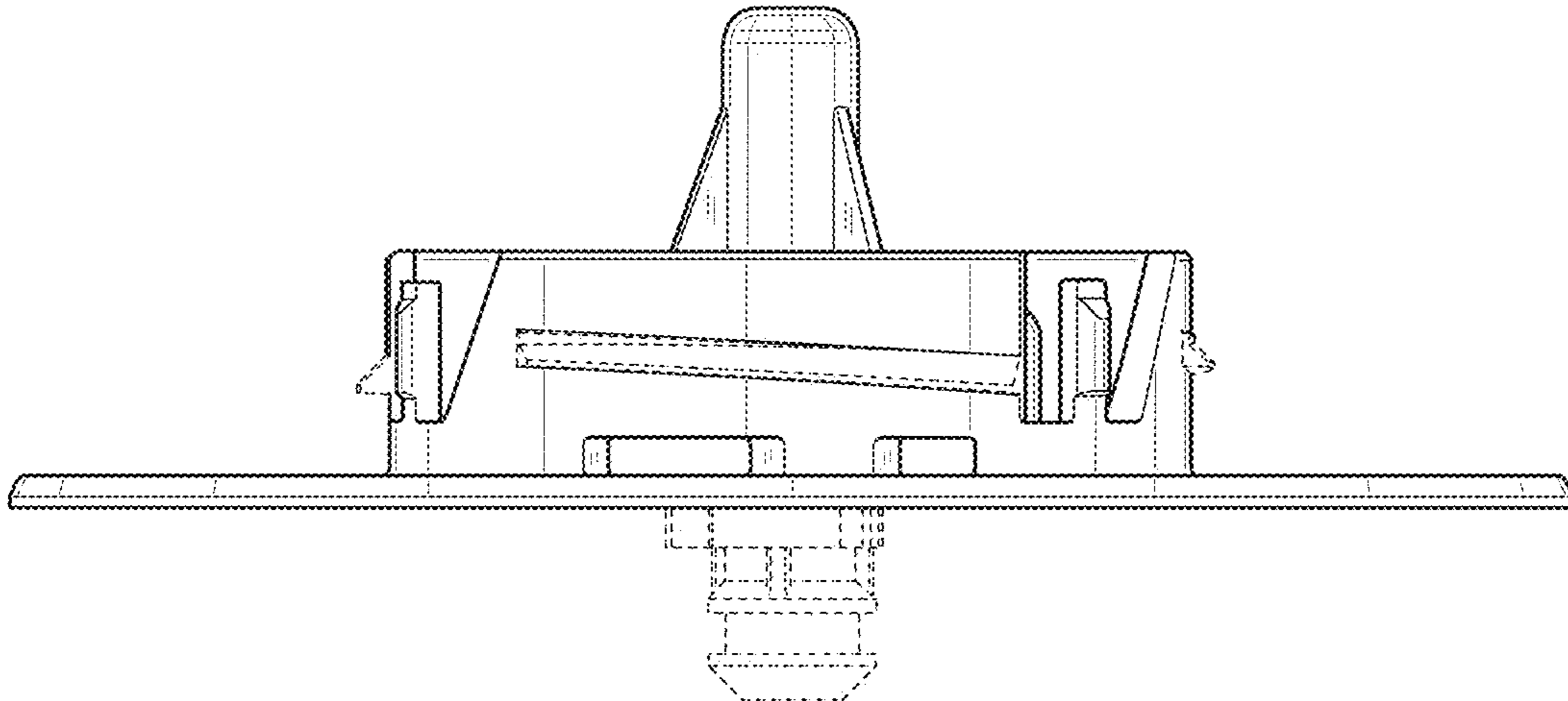


FIG. 7

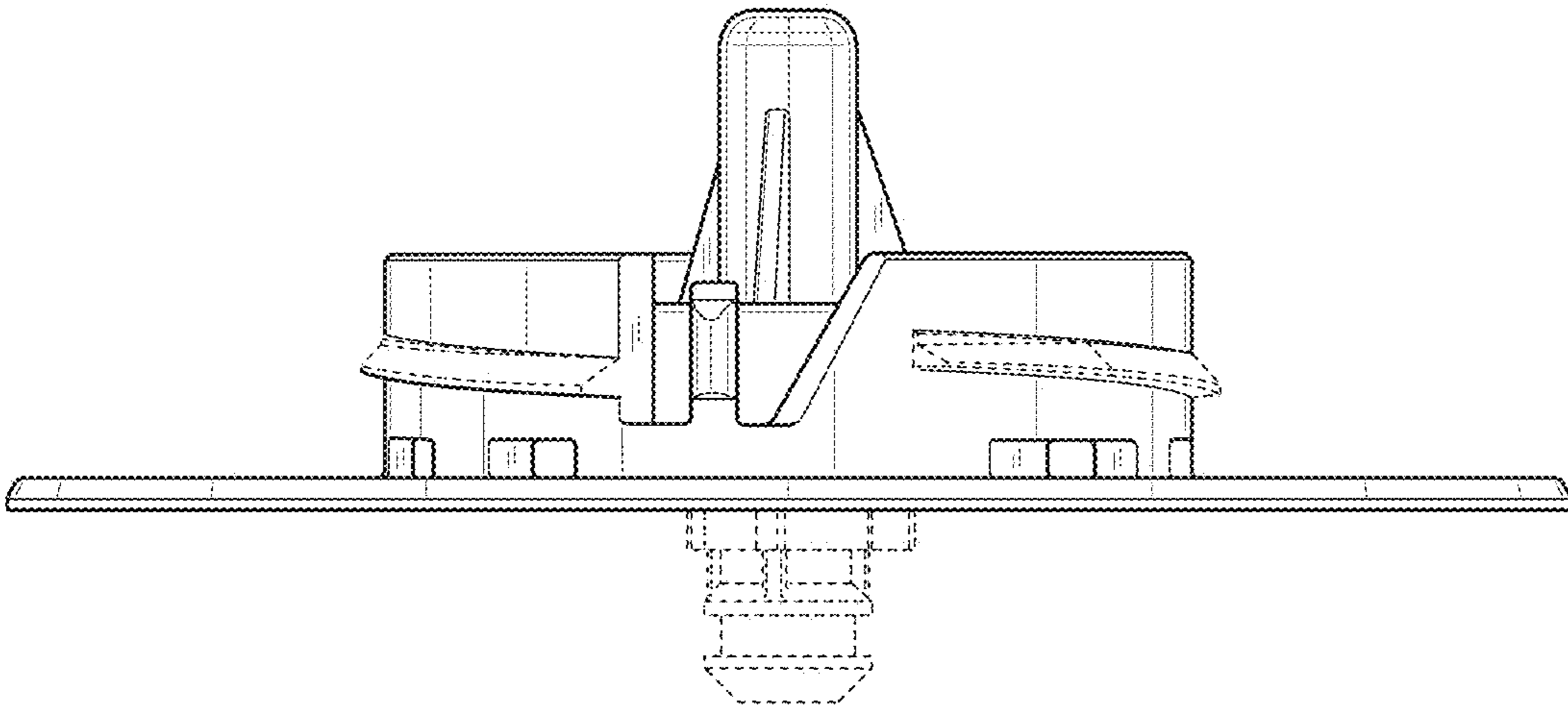


FIG. 8