



US00D967921S

(12) **United States Design Patent** (10) **Patent No.:** **US D967,921 S**
Gui (45) **Date of Patent:** **** Oct. 25, 2022**

(54) **FLY FAN**

(71) Applicant: **Jinjun Gui**, Wuhu (CN)

(72) Inventor: **Jinjun Gui**, Wuhu (CN)

(**) Term: **15 Years**

(21) Appl. No.: **29/841,754**

(22) Filed: **Jun. 8, 2022**

(51) **LOC (13) Cl.** **22-06**

(52) **U.S. Cl.**
USPC **D22/122**

(58) **Field of Classification Search**
USPC D22/120, 122; D23/366–367, 370,
D23/376–379; 43/132.1, 137
CPC A01M 1/02; A01M 1/24; A01M 29/06;
A01M 29/34; A01M 2200/012
See application file for complete search history.

(56) **References Cited**

U.S. PATENT DOCUMENTS

D654,979 S *	2/2012	Smith	D22/122
9,554,569 B2 *	1/2017	Betts, Jr.	A01M 29/34
D807,467 S *	1/2018	Kotze	D22/120
D847,297 S *	4/2019	Hassman	D22/122
D864,347 S	10/2019	Li		
D921,830 S	6/2021	Liu		
D948,701 S *	4/2022	Liu	D23/379
D950,675 S *	5/2022	Xu	D22/122
2013/0067798 A1 *	3/2013	Keltner	A01M 29/34
				43/142

OTHER PUBLICATIONS

https://www.amazon.com/dp/B09BCF3VZ9?th=1—2020.*
https://www.amazon.com/ASENVER-Tables-Picnic-Portable-Restaurant/dp/B09VXM1JHR/ref=sr_1_5?crd=16P8XB9QOXHYC&keywords=aserver+fly+fans+for+tables+picnic+drive+table+fan+portable+food+fan+for+restaurant%2C+picnic+home&qid=1660229732&sprefix=aserver+fly+fans+for+tables+picnic+drive+able+fan+portable+food+fan+for+restaurant%2C+picnic+home%2Caps%2C49&sr=8-5 2022.*

* cited by examiner

Primary Examiner — Catherine R Oliver-Garcia

(74) *Attorney, Agent, or Firm* — Jeenam Park

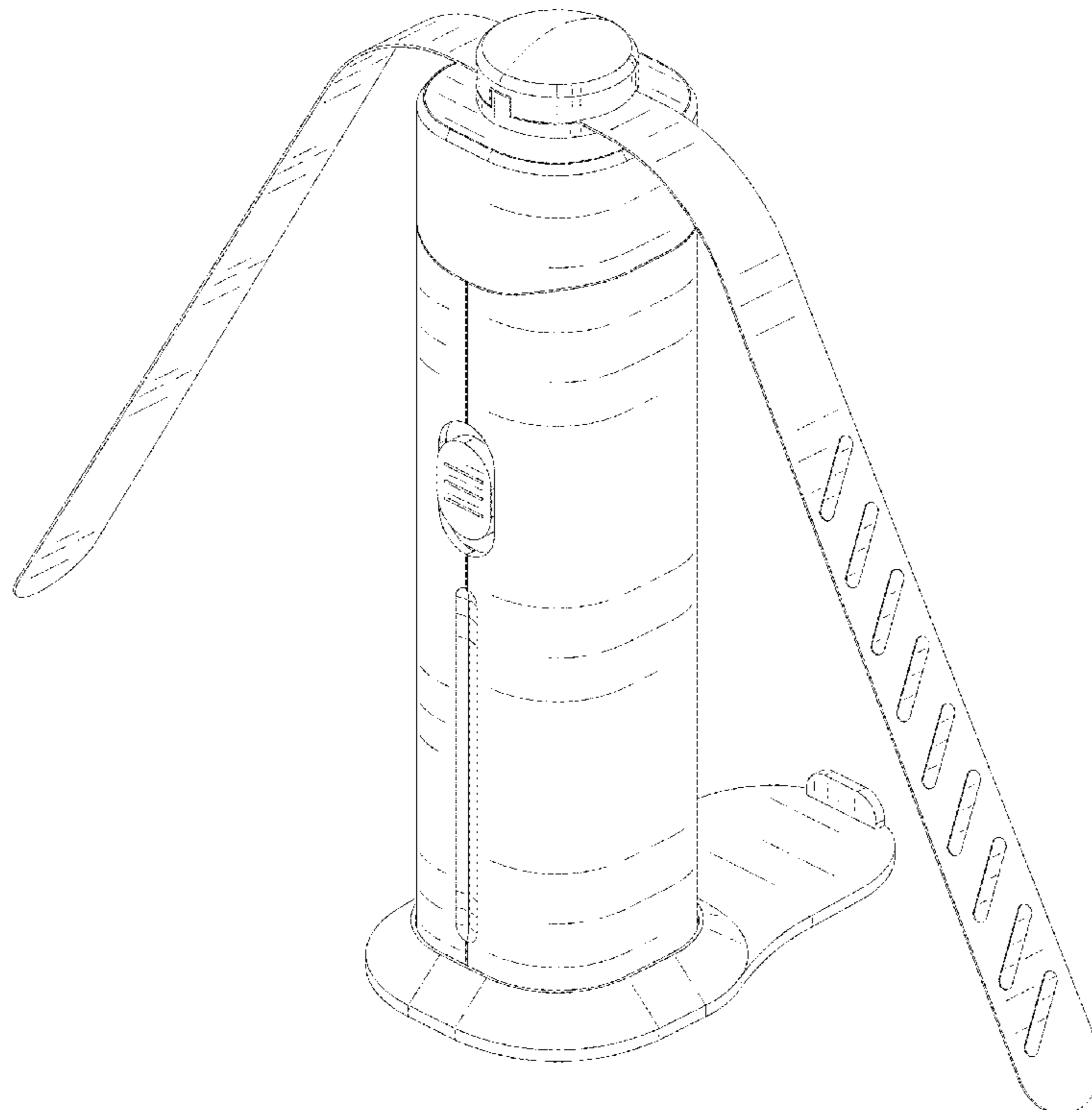
(57) **CLAIM**

The ornamental design for a fly fan, as shown and described.

DESCRIPTION

FIG. 1 is a perspective view of a fly fan, showing my new design;
FIG. 2 is a perspective view in the open configuration thereof;
FIG. 3 is another perspective view thereof;
FIG. 4 is a front view thereof;
FIG. 5 is a rear view thereof;
FIG. 6 is a left side view thereof;
FIG. 7 is a right side view thereof;
FIG. 8 is a top plan view thereof; and,
FIG. 9 is a bottom plan view thereof.
The broken line showing of portions of the fly fan is included for the purpose of illustrating environment only and forms no part of the claimed design.

1 Claim, 9 Drawing Sheets



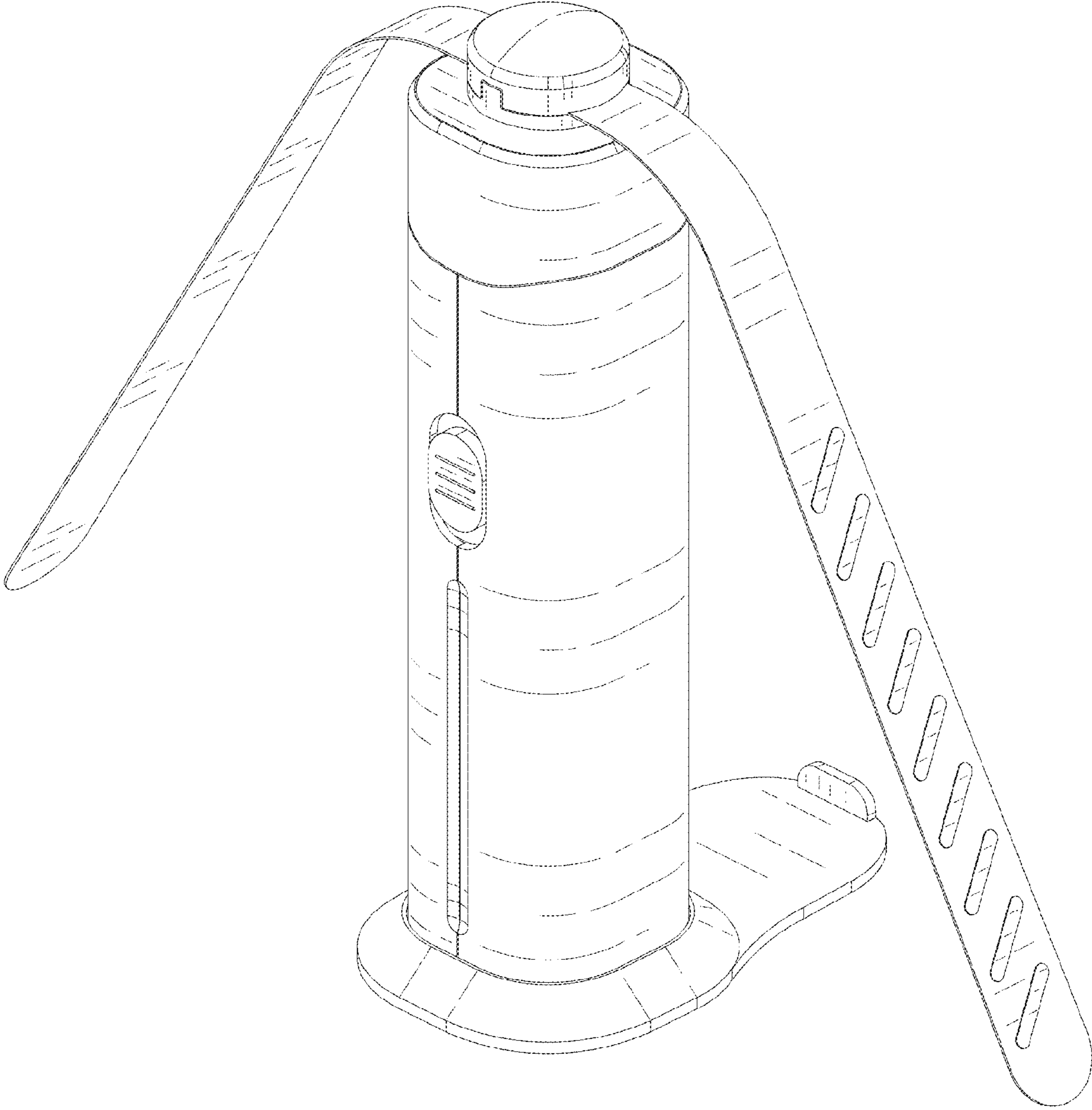


FIG. 1

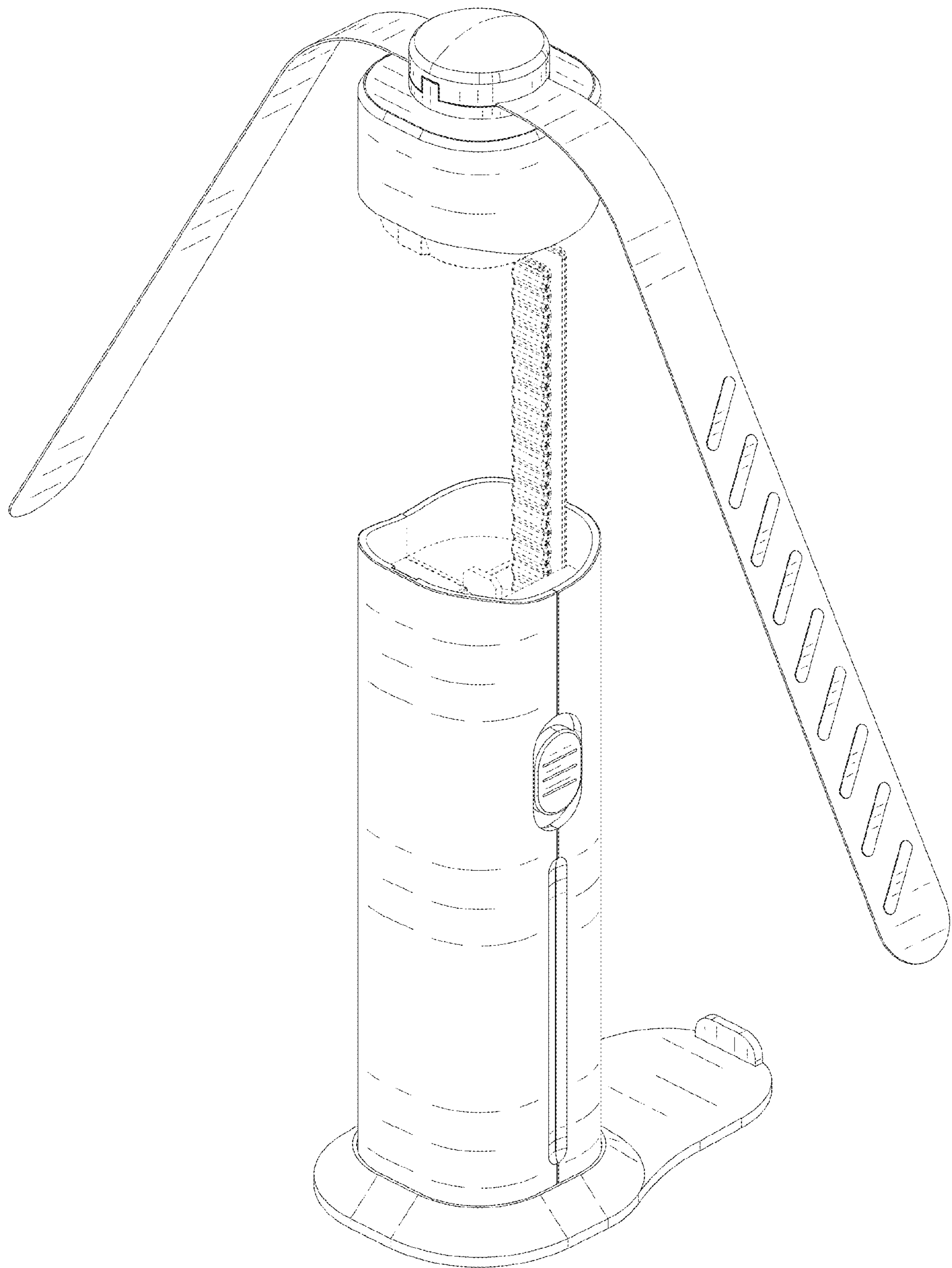


FIG. 2

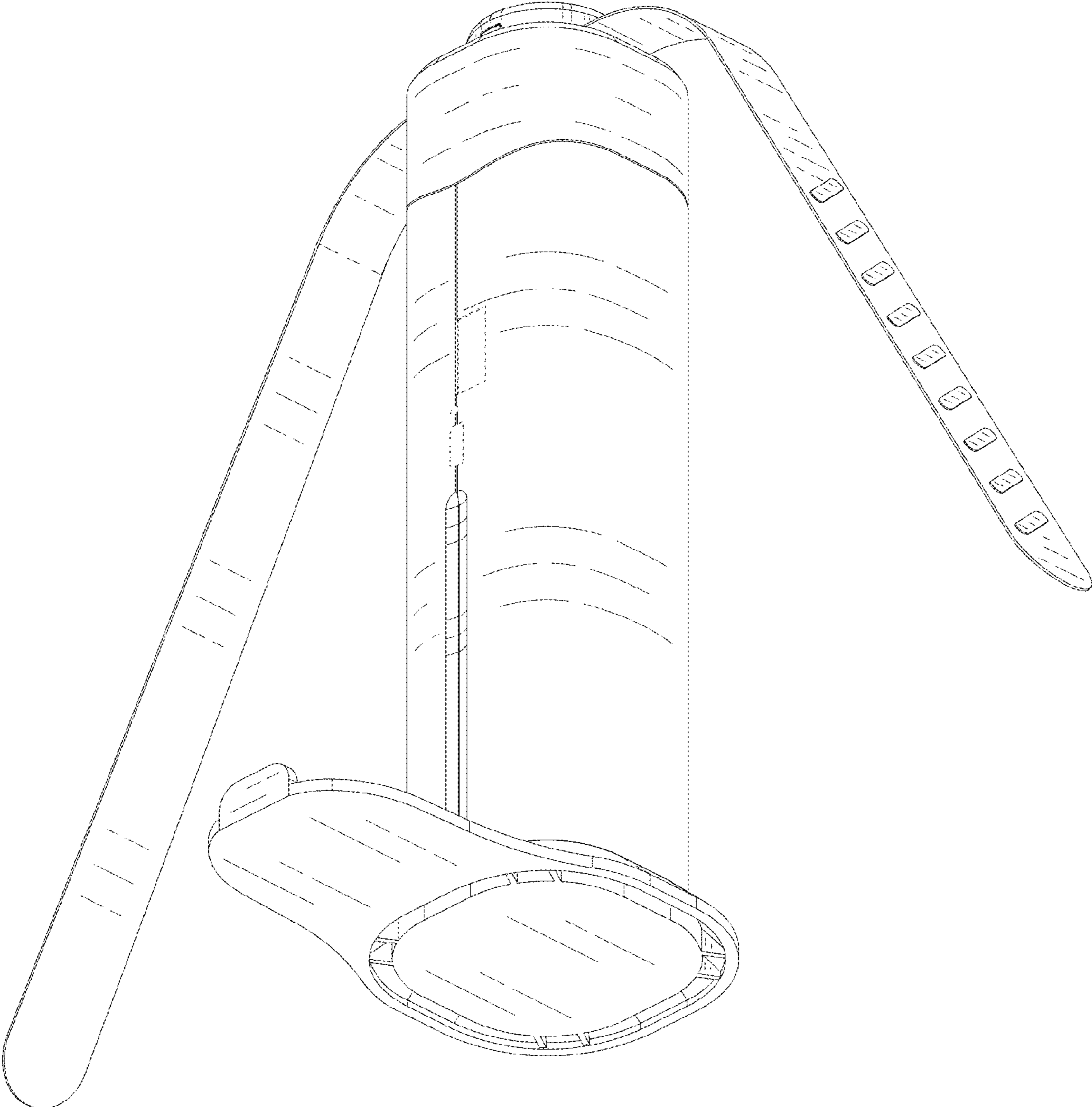


FIG. 3

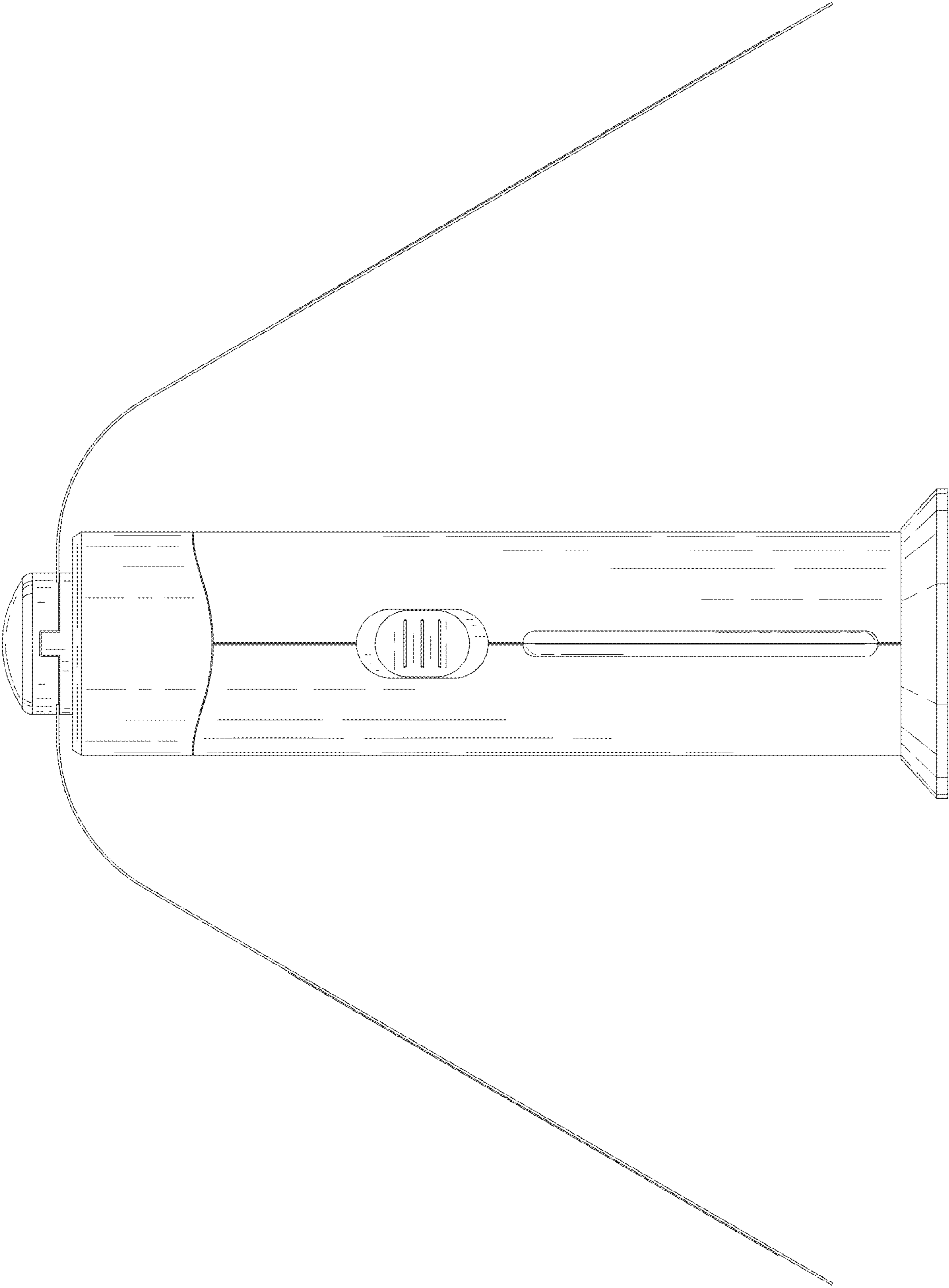


FIG. 4

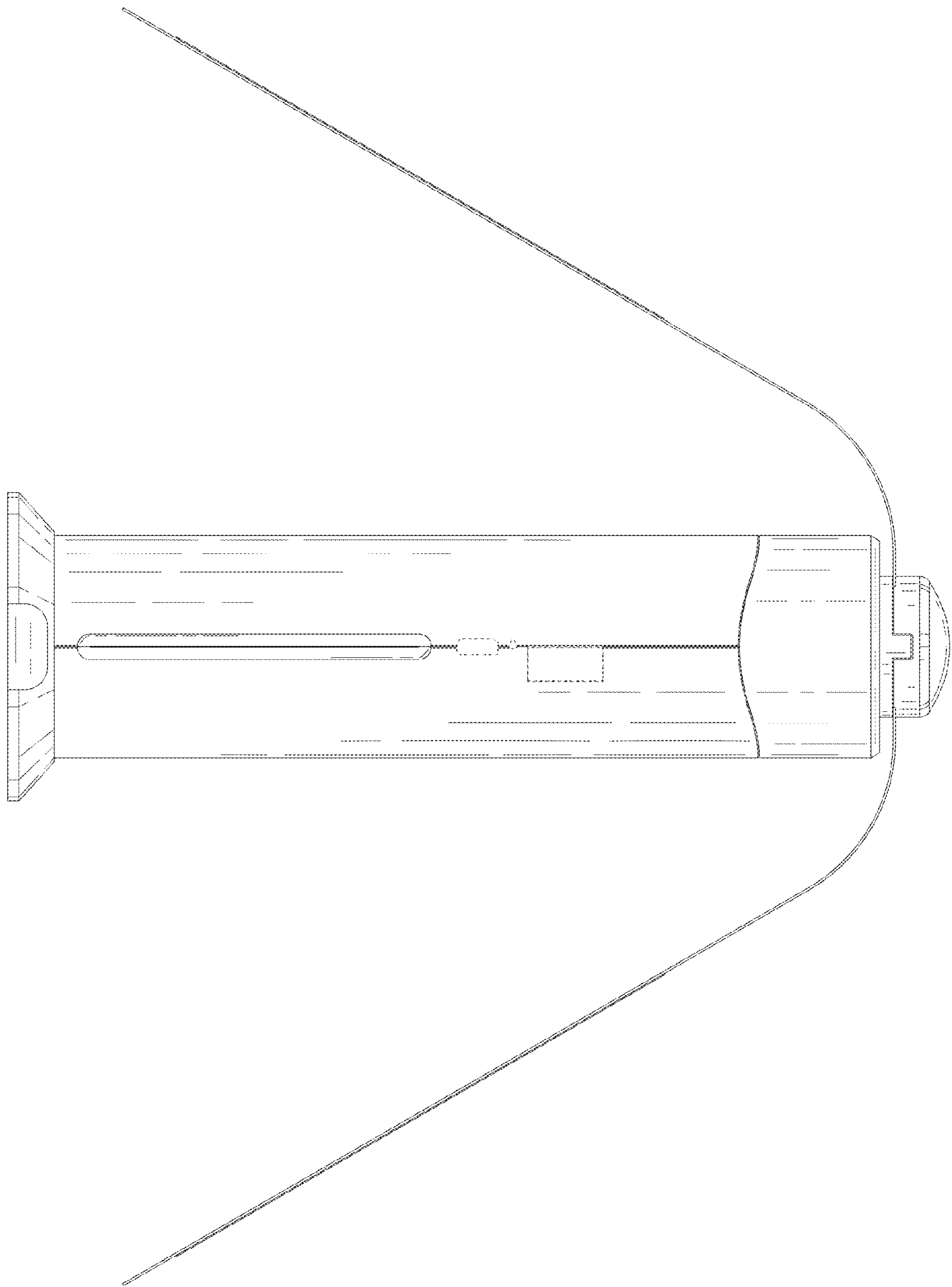


FIG. 5

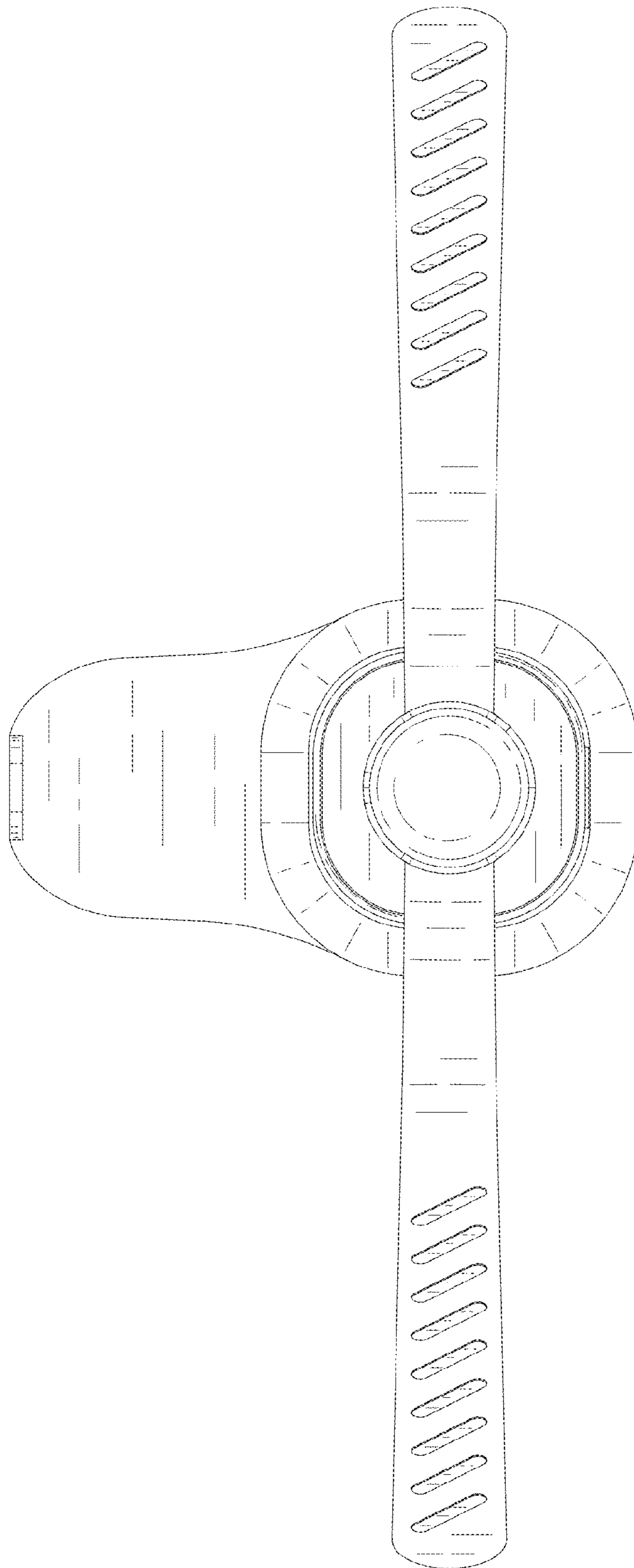


FIG. 6

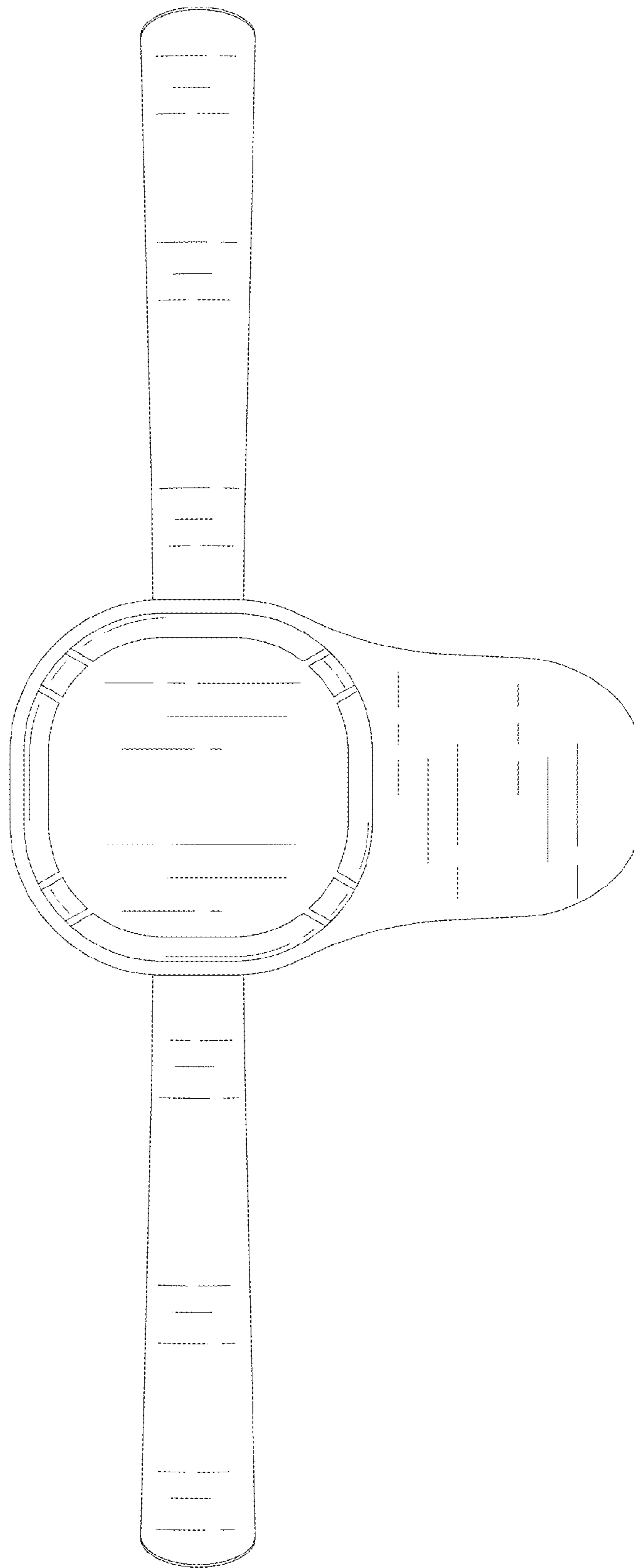


FIG. 7

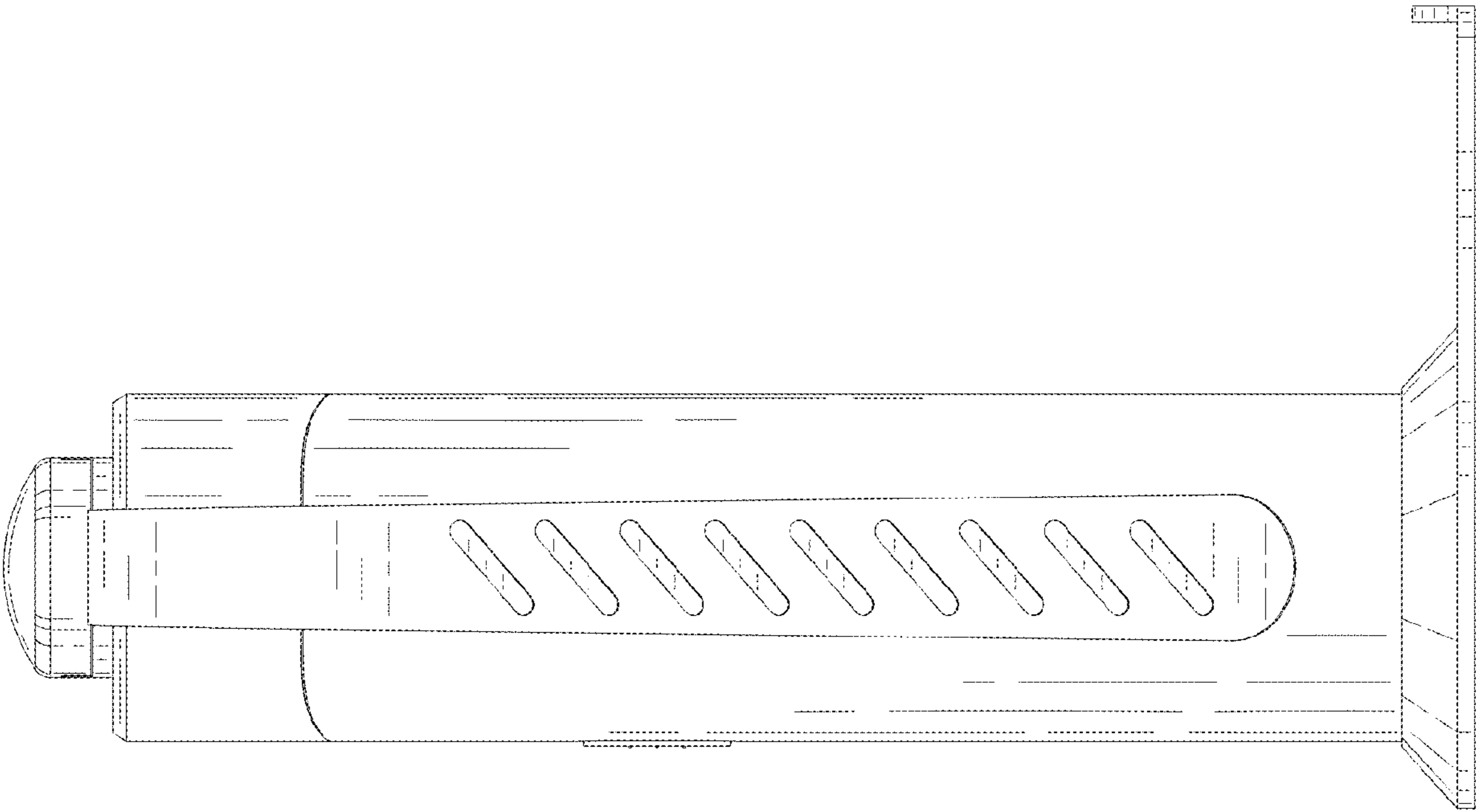


FIG. 8

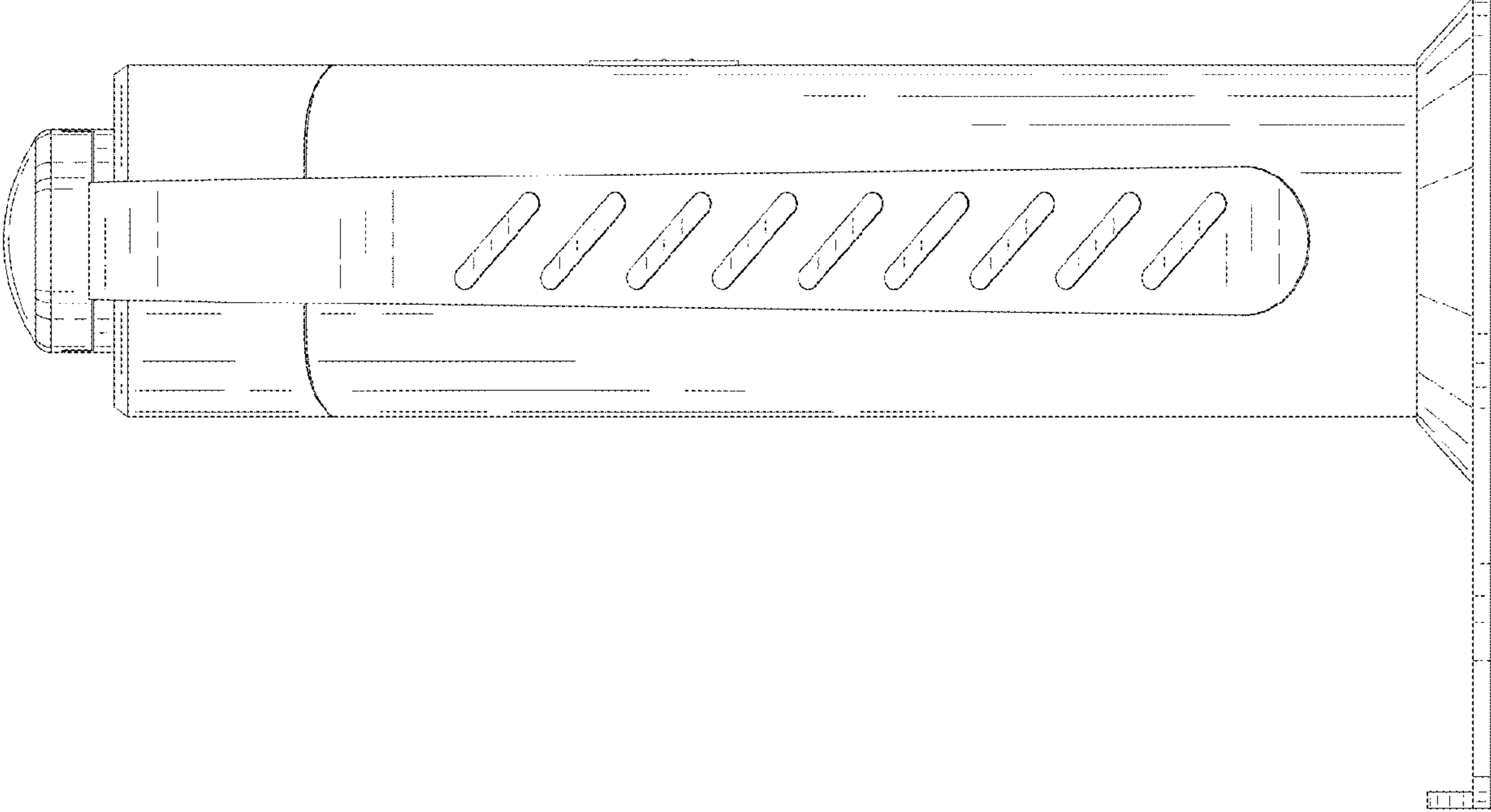


FIG. 9