



US00D967920S

(12) **United States Design Patent**  
**Chen et al.**

(10) **Patent No.:** **US D967,920 S**  
(45) **Date of Patent:** **\*\* Oct. 25, 2022**

(54) **MOUSE TRAP BUCKET LID**

(71) Applicant: **Jiecong Chen**, Zhejiang (CN)

(72) Inventors: **Jiecong Chen**, Zhejiang (CN); **Zhichao Mi**, Zhejiang (CN); **Yuhui Wang**, Zhejiang (CN)

(73) Assignee: **Jiecong Chen**, Zhejiang (CN)

(\*\*) Term: **15 Years**

(21) Appl. No.: **29/804,469**

(22) Filed: **Aug. 20, 2021**

(51) **LOC (13) Cl.** ..... **22-06**

(52) **U.S. Cl.**  
USPC ..... **D22/119**

(58) **Field of Classification Search**  
USPC ..... D22/119-120  
CPC .... A01M 23/00; A01M 23/04; A01M 23/005;  
A01M 23/10  
See application file for complete search history.

(56) **References Cited**

**U.S. PATENT DOCUMENTS**

D552,208 S *	10/2007	O'Leary	.....	D22/119
9,826,729 B2 *	11/2017	Albaugh	.....	A01M 23/04
9,961,892 B2 *	5/2018	Chism	.....	A01M 23/10
D842,422 S	3/2019	Guerrie		
10,383,325 B2 *	8/2019	Moga	.....	A01M 23/10
D882,725 S *	4/2020	Upholz	.....	D22/119
D890,289 S	7/2020	Luo		
D898,158 S *	10/2020	Wang	.....	D22/119
11,116,201 B1 *	9/2021	Melville, Jr.	.....	A01M 23/10
11,166,448 B2 *	11/2021	Matzen	.....	A01M 23/04

**OTHER PUBLICATIONS**

[https://www.amazon.com/Bucket-Reusable-Humane-Indoor-Compatible/dp/B09NQLJ11N/ref=sr\\_1\\_15?crd=2R4VMINX9AT55&keywords=mouse%2Btrap%2Bbucket%2Blid&qid=1658953719&srefix=mouse%2Btrap%2Bb%2Caps%2C70&sr=8-15&th=1](https://www.amazon.com/Bucket-Reusable-Humane-Indoor-Compatible/dp/B09NQLJ11N/ref=sr_1_15?crd=2R4VMINX9AT55&keywords=mouse%2Btrap%2Bbucket%2Blid&qid=1658953719&srefix=mouse%2Btrap%2Bb%2Caps%2C70&sr=8-15&th=1) (Year: 2021).\*

\* cited by examiner

*Primary Examiner* — Catherine R Oliver-Garcia  
(74) *Attorney, Agent, or Firm* — True Shepherd, LLC;  
Andrew Cheng

(57) **CLAIM**

The ornamental design for a mouse trap bucket lid, as shown and described.

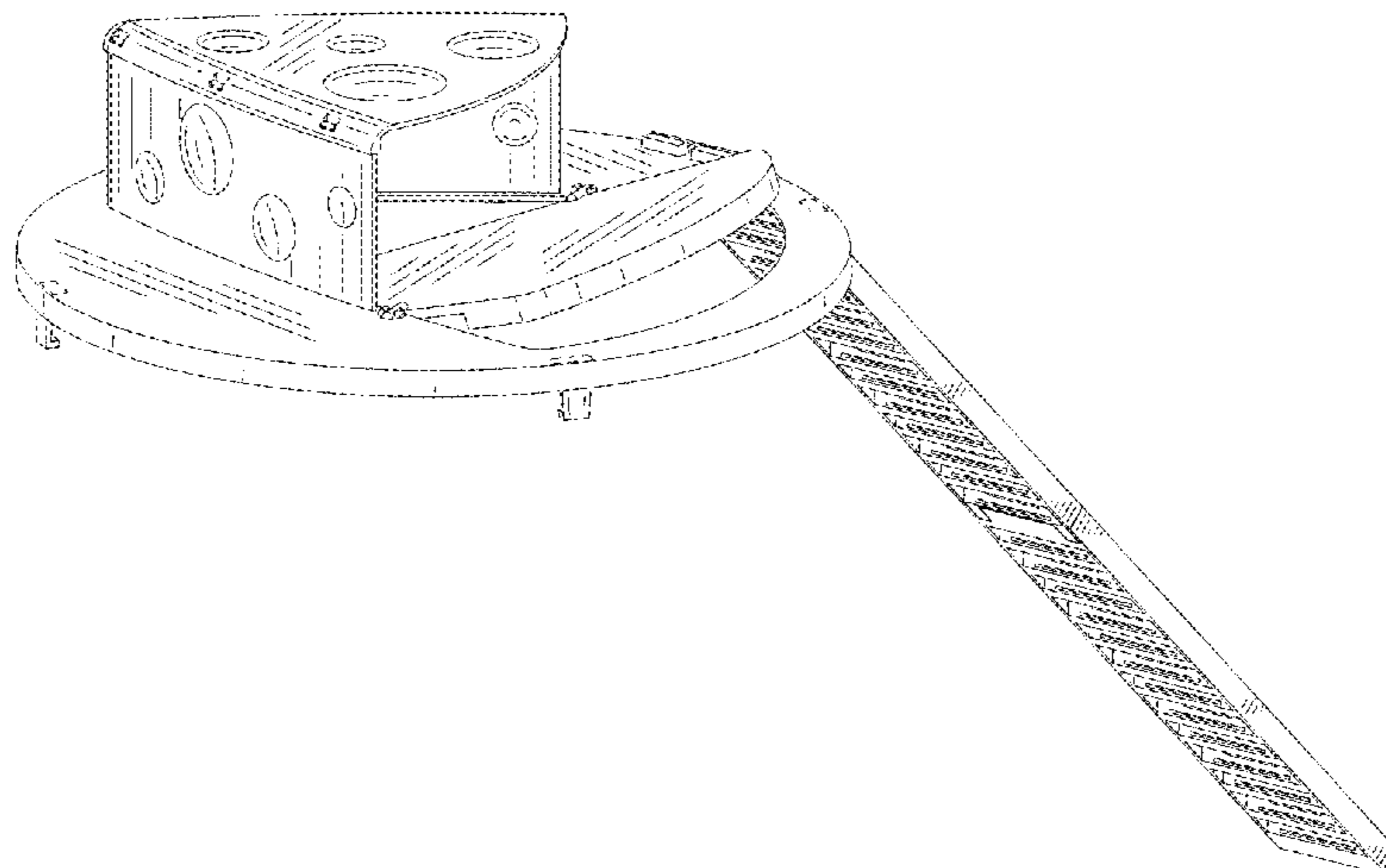
**DESCRIPTION**

FIG. 1 is a front, right, and top perspective view of a mouse trap bucket lid, showing our design; FIG. 2 is a rear, left, and bottom perspective view thereof; FIG. 3 is a front elevation view thereof; FIG. 4 is a rear elevation view thereof; FIG. 5 is a left side elevation view thereof; FIG. 6 is a right side elevation view thereof; FIG. 7 is a top plan view thereof; FIG. 8 is a bottom plan view thereof; FIG. 9 is a partial enlarged view of an area labeled 9 in FIG. 1 comprising a first part of the trap (ladder); FIG. 10 is a partial enlarged view of an area labeled 10 in FIG. 2 comprising a second part of the trap (ladder); FIG. 11 is a partial enlarged view of an area labeled 11 in FIG. 2 comprising a protrusion on the bottom of the trap lid; FIG. 12 is a front, left and inner right perspective view of the mouse trap bucket lid with the lid shown in a contracted state; FIG. 13 is a partial enlarged view of an area labeled 13 in FIG. 1; and, FIG. 14 is a partial enlarged view of an area labeled 14 in FIG. 1.

The broken lines shown in the drawings are included for the purpose of illustrating portions of the mouse trap bucket lid that form no part of the claimed design.

The dot-dash lines in FIGS. 9-14 are for the purpose of depicting the boundary lines of the enlarged views and form no part of the claimed design.

**1 Claim, 14 Drawing Sheets**



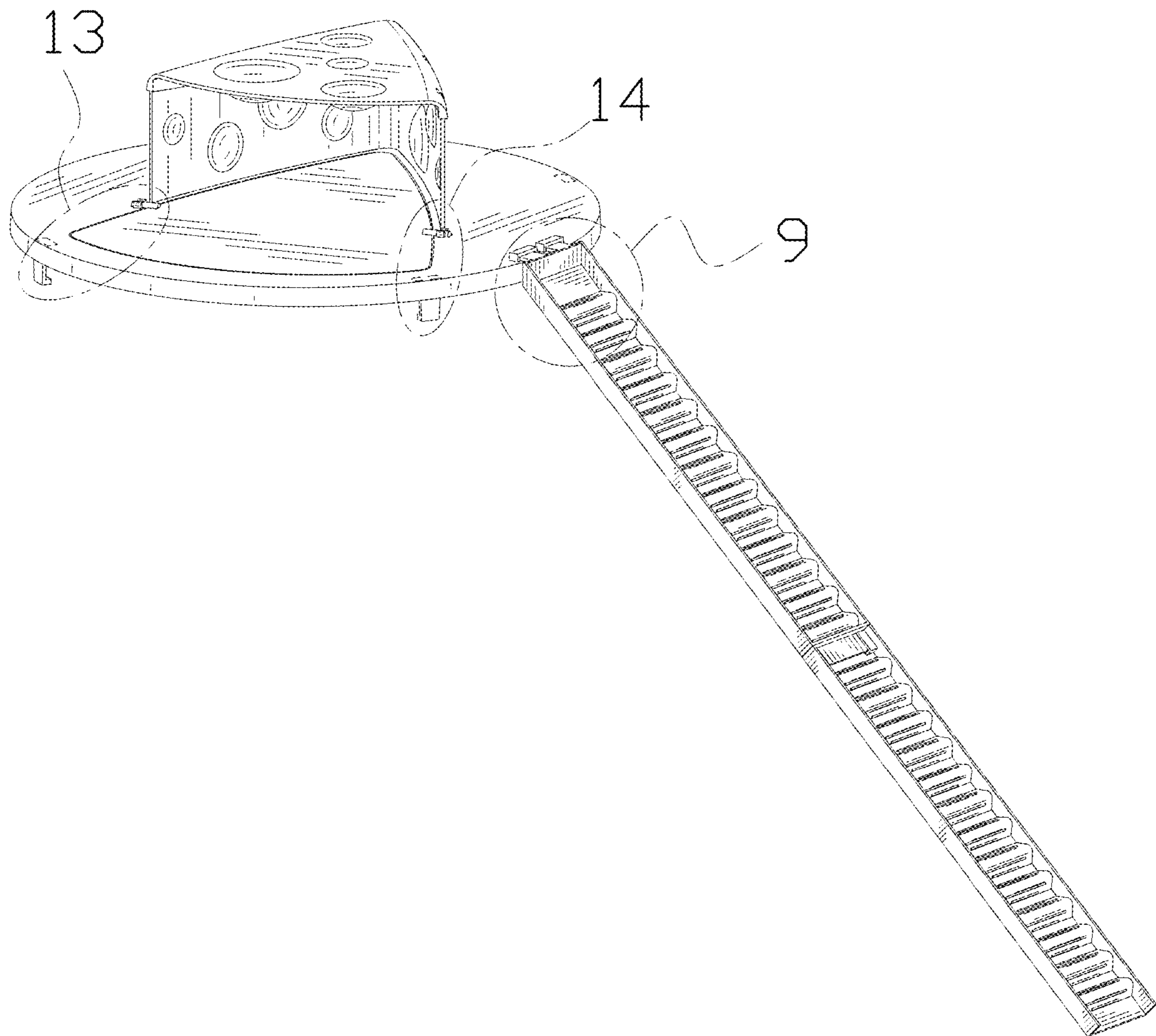


FIG. 1

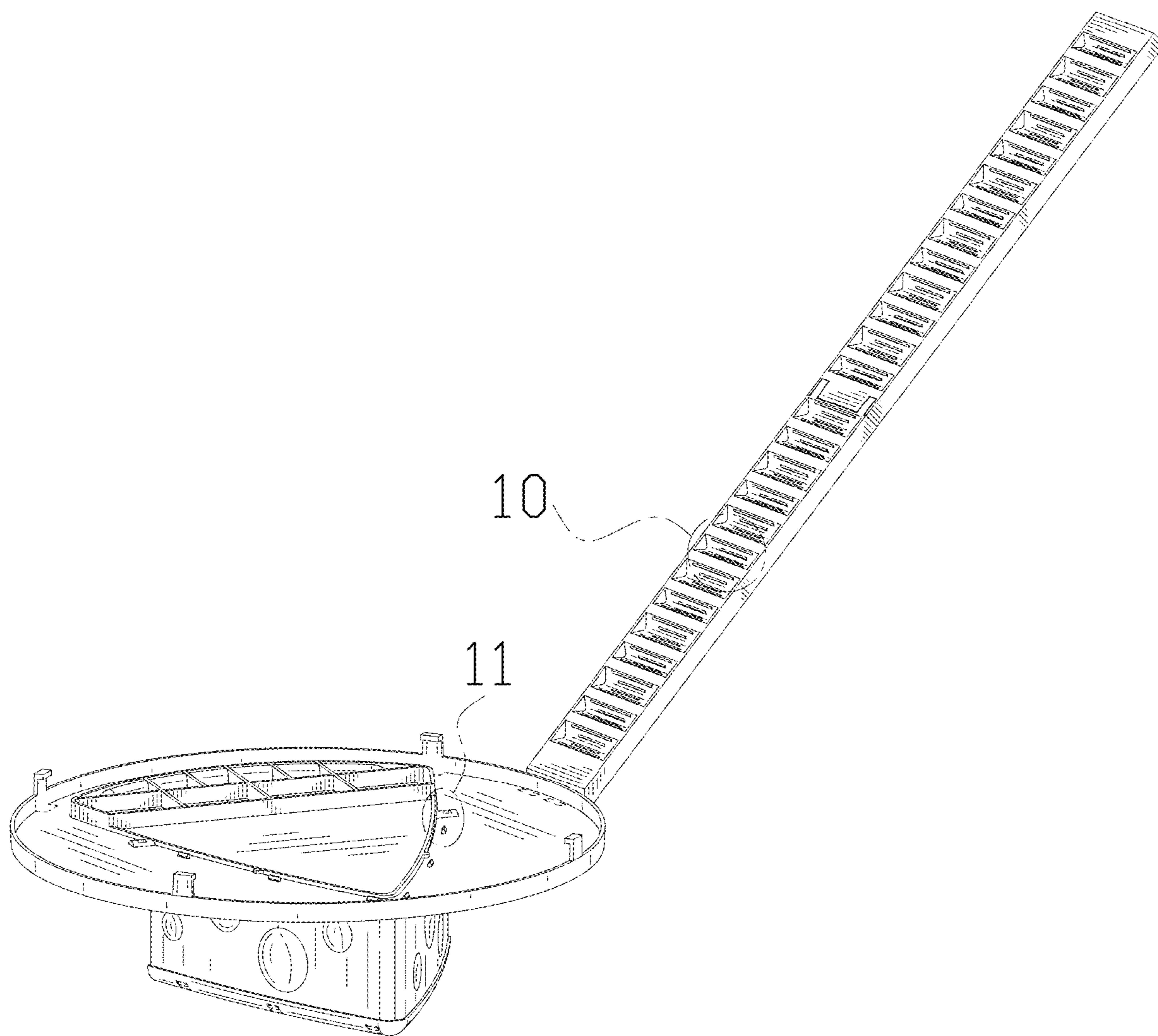


FIG. 2

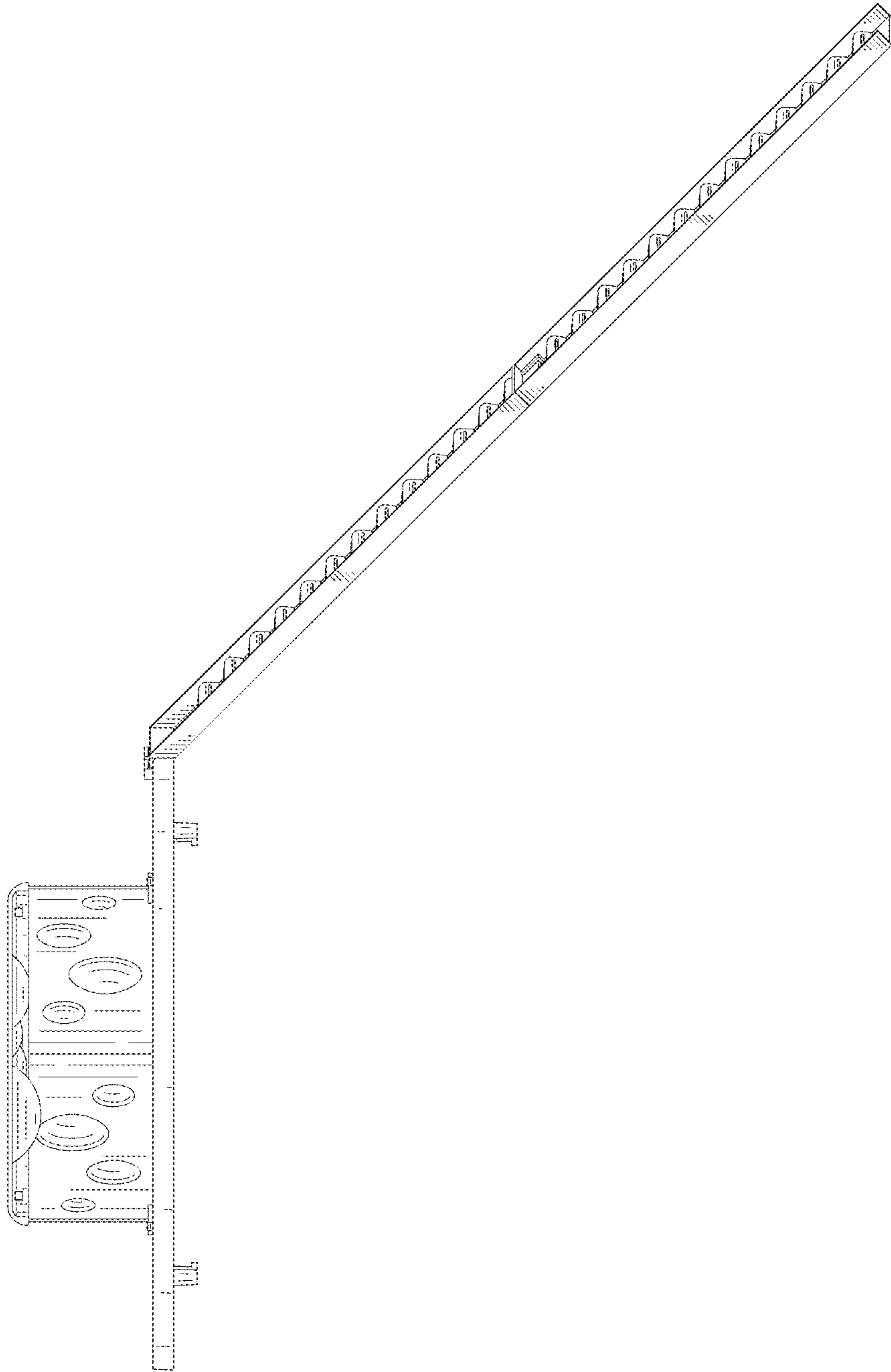


FIG. 3



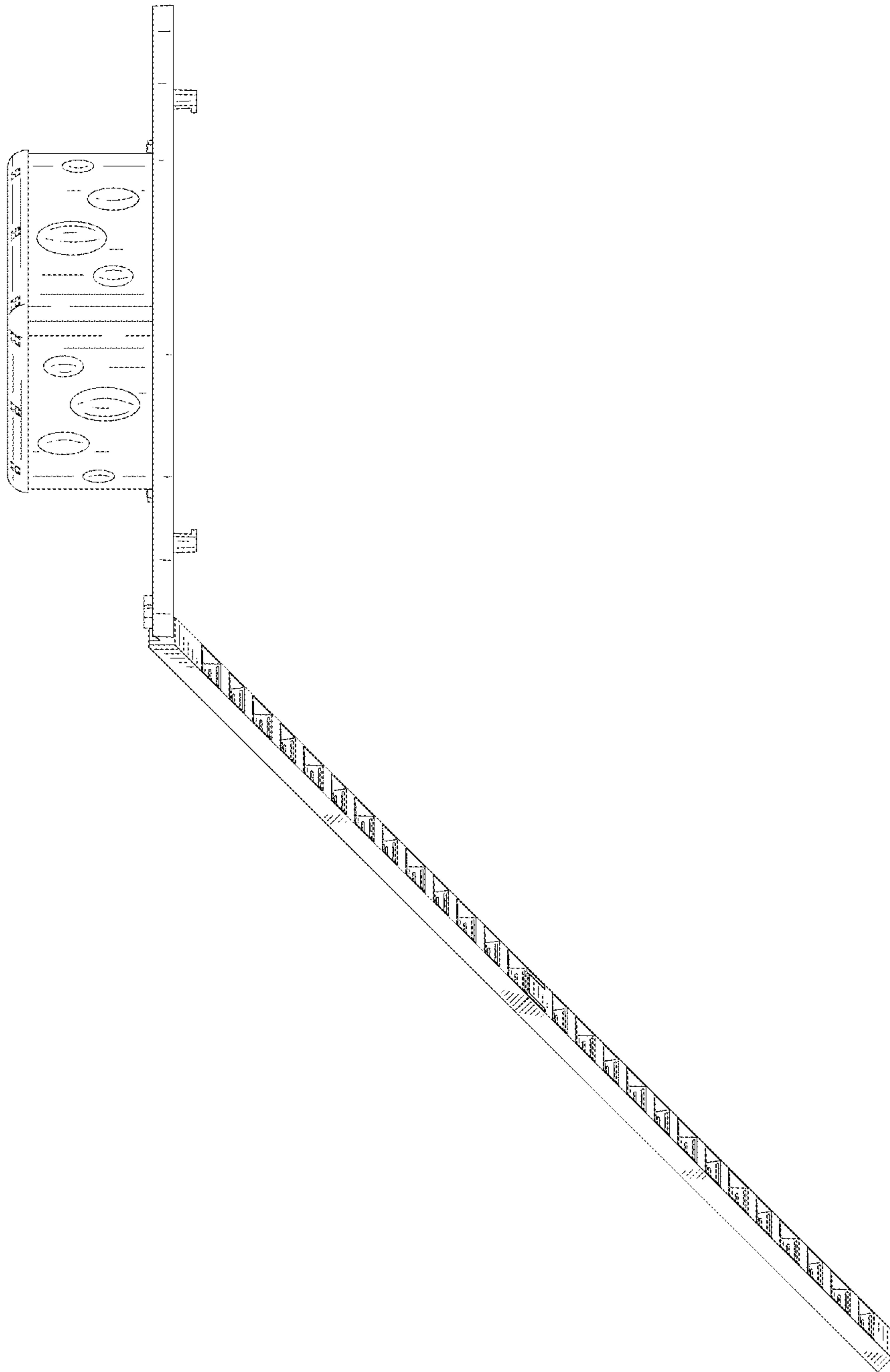


FIG. 4

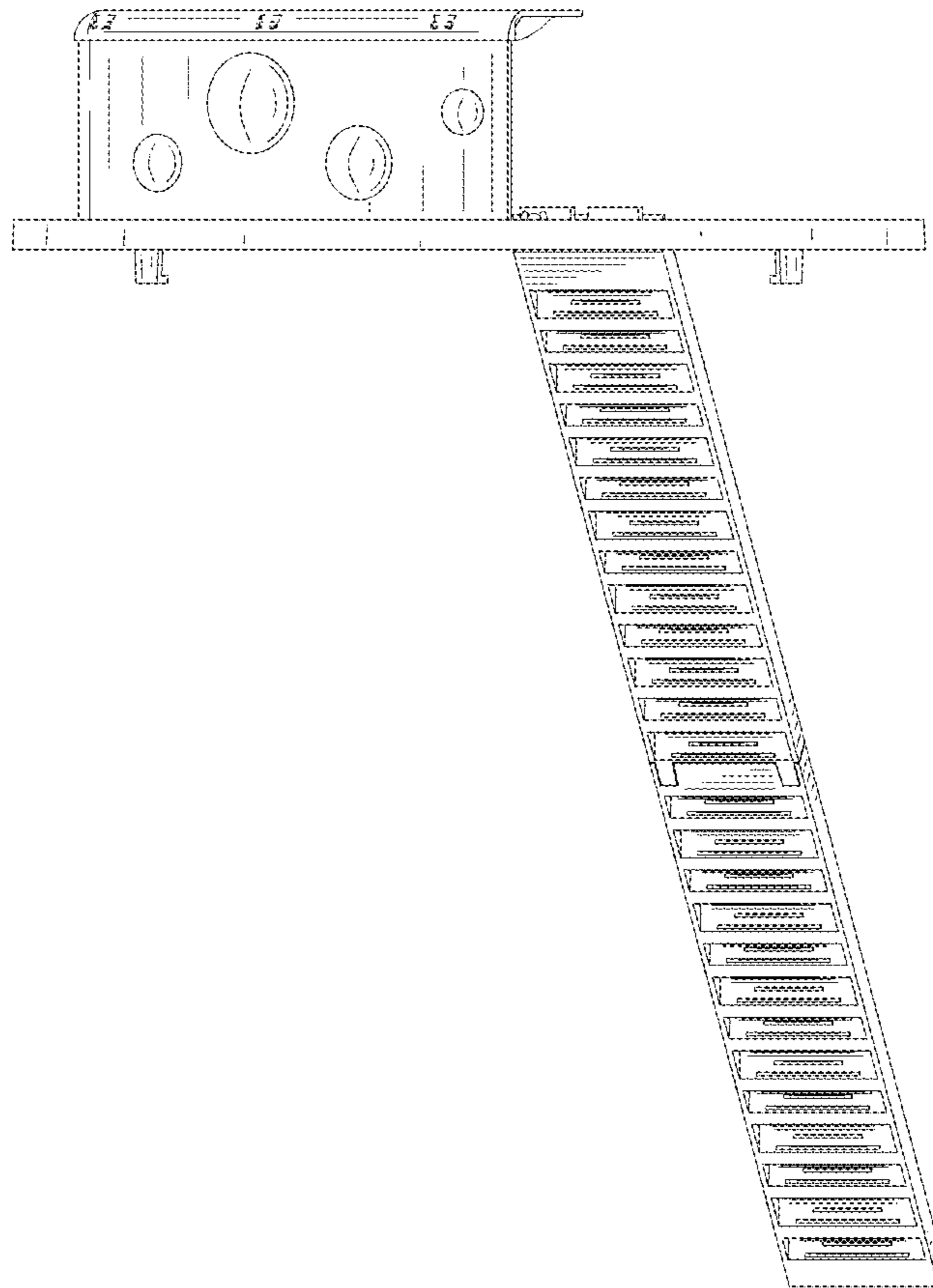


FIG. 5

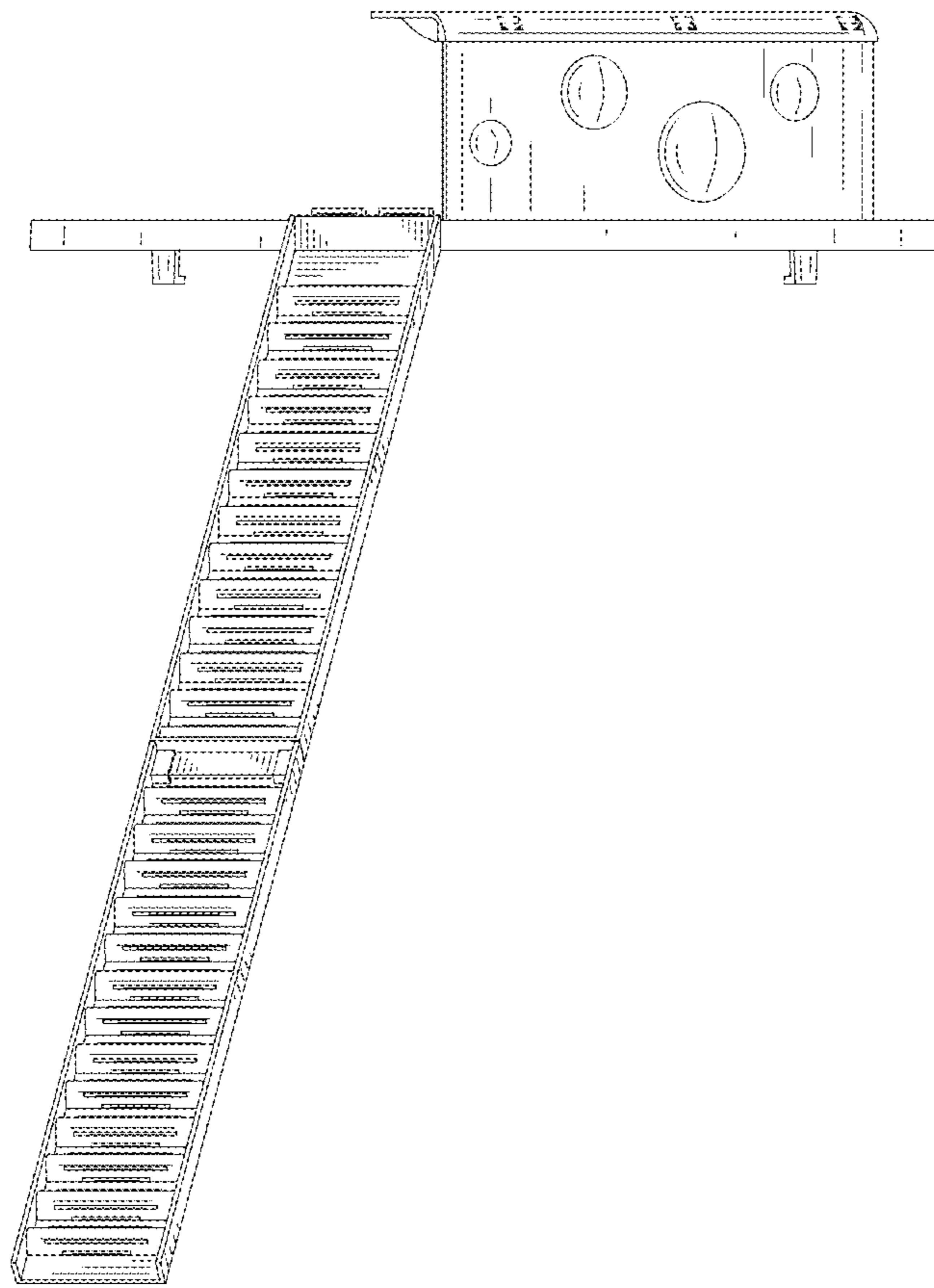


FIG. 6

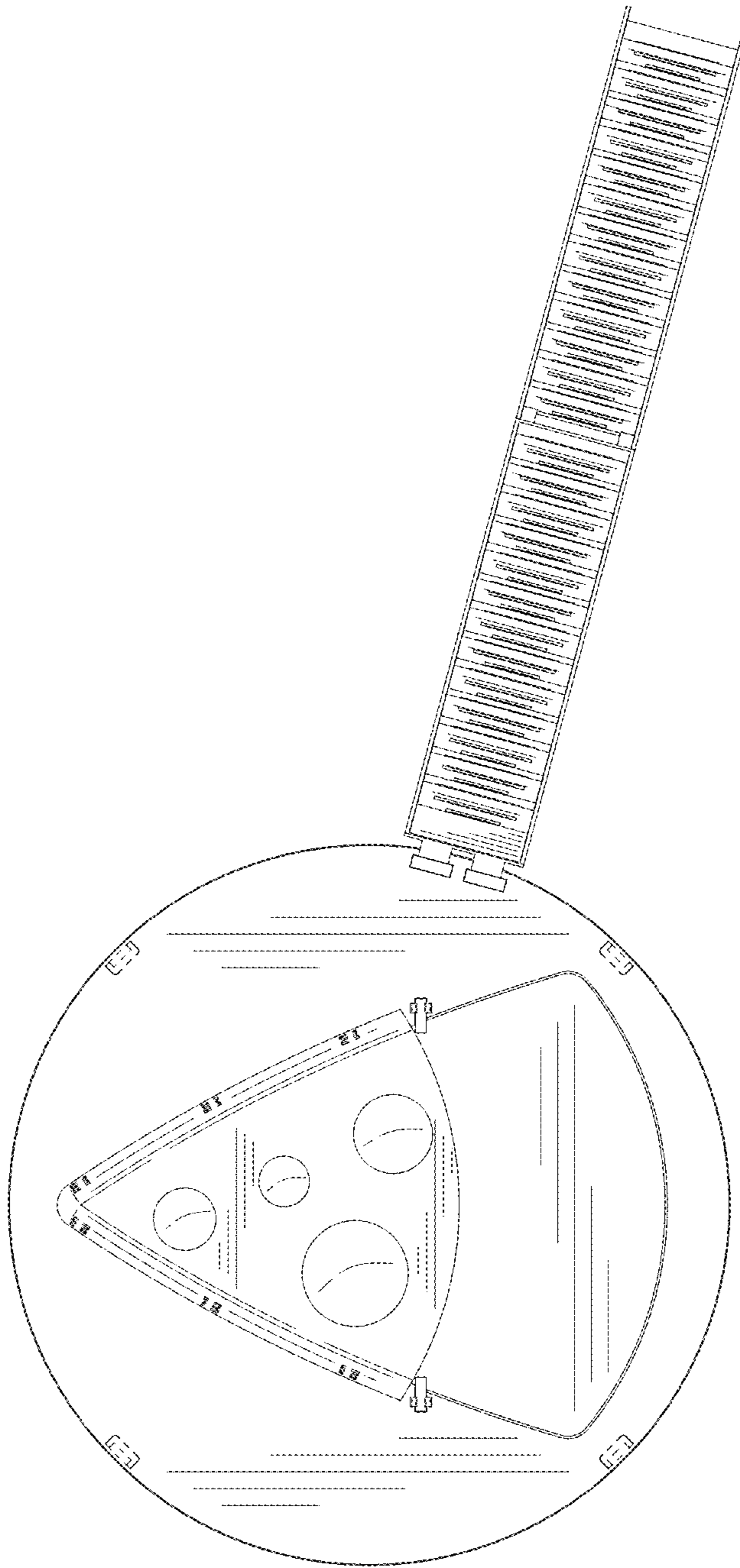


FIG. 7



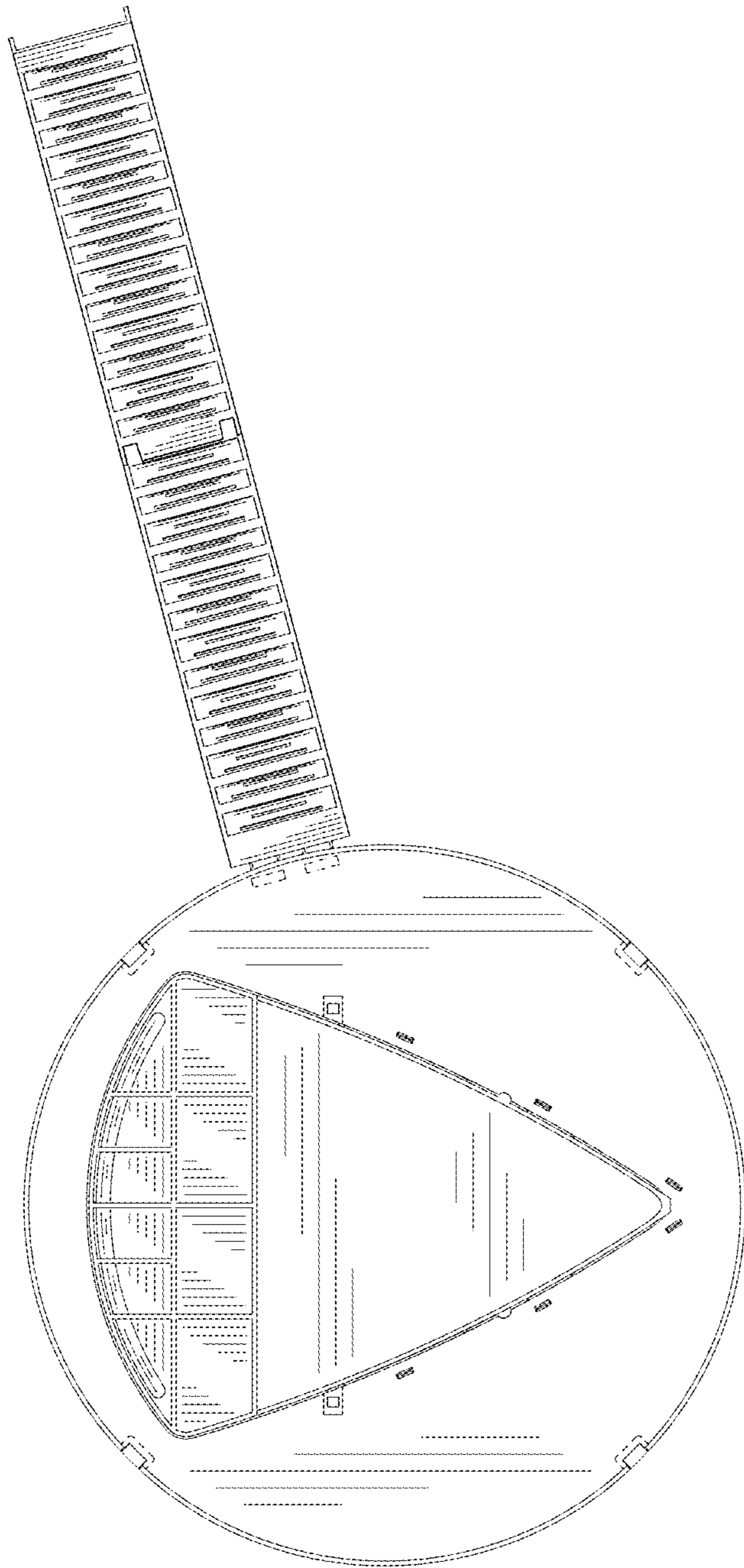


FIG. 8

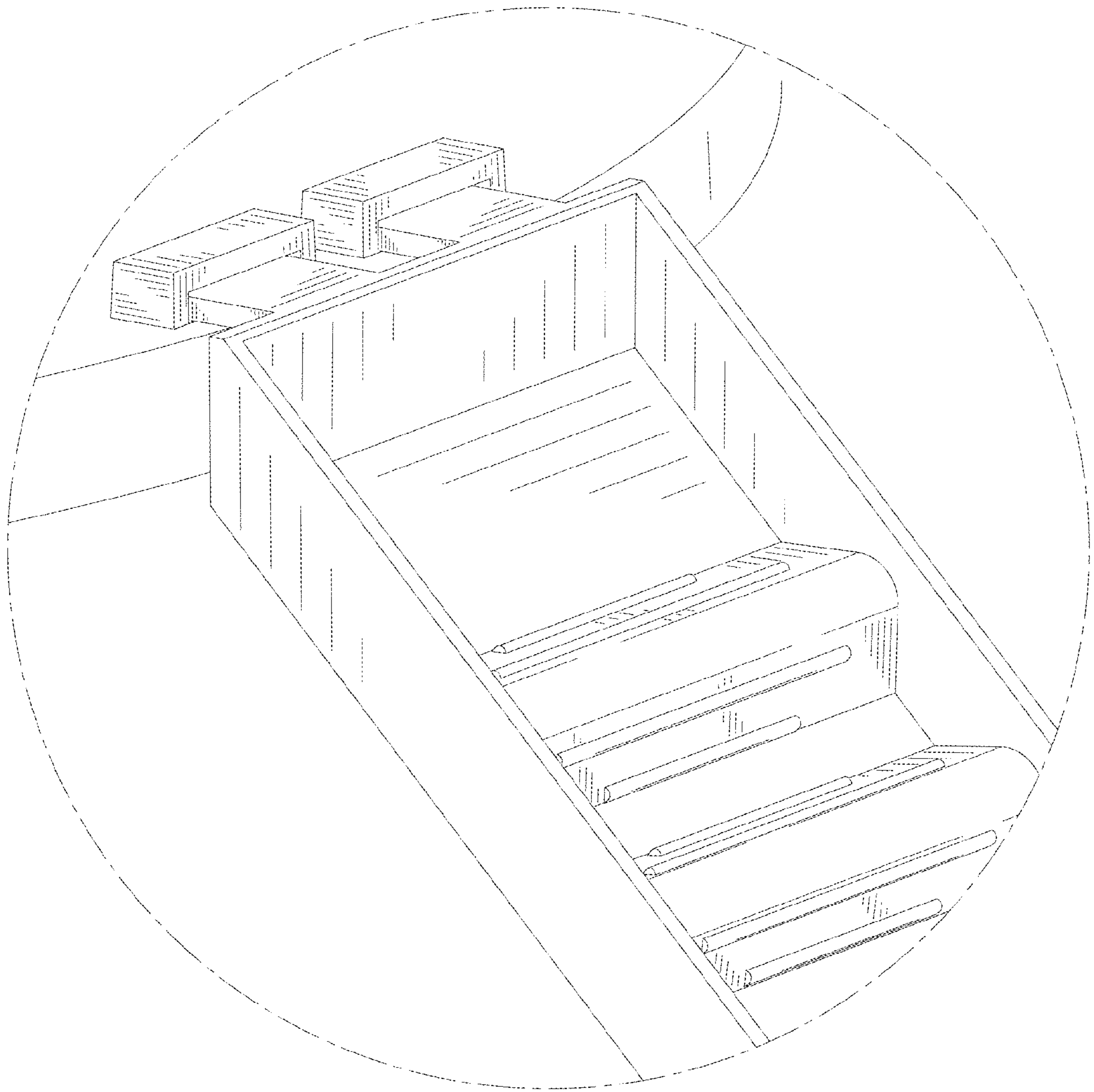


FIG. 9

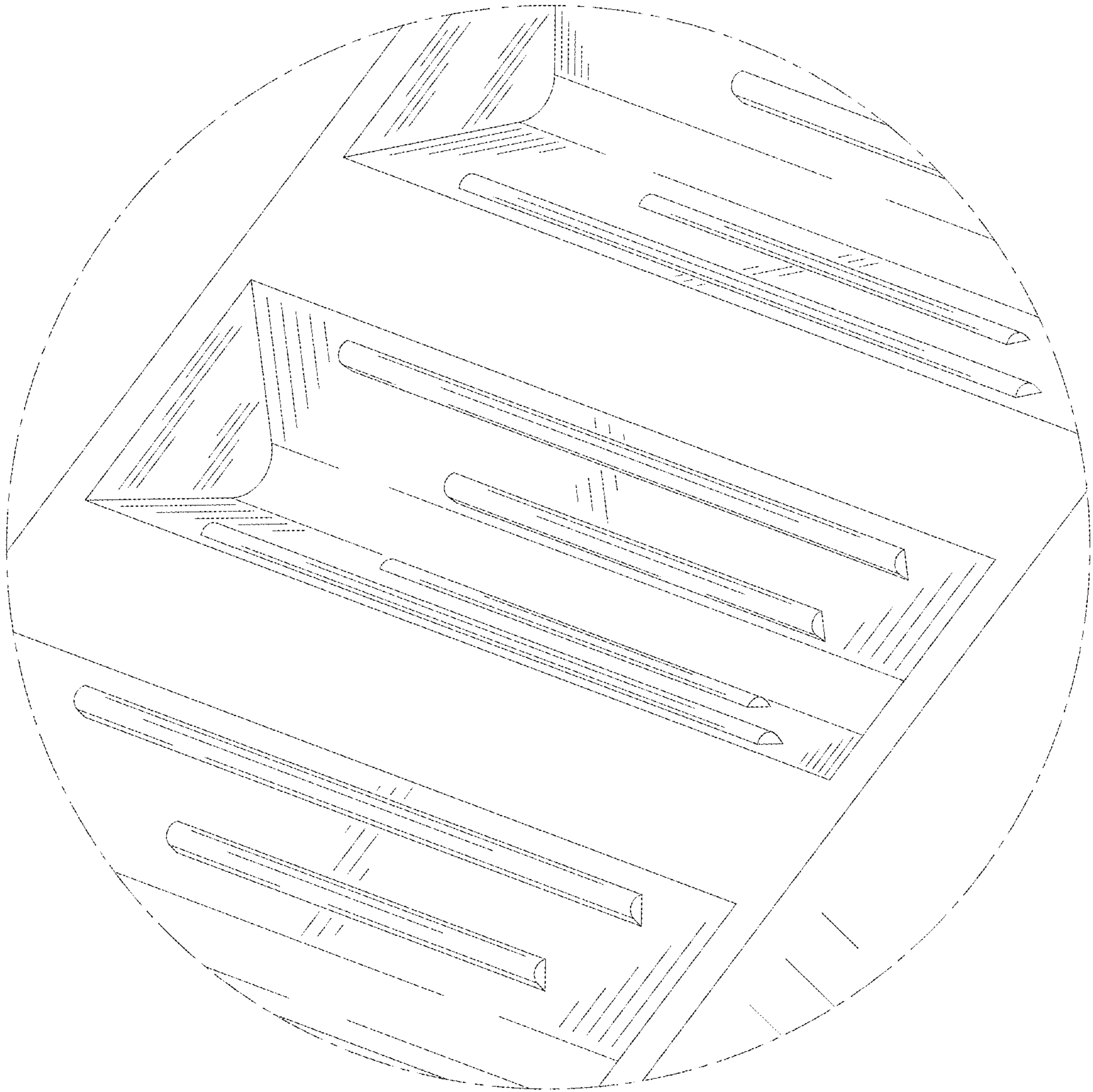


FIG. 10

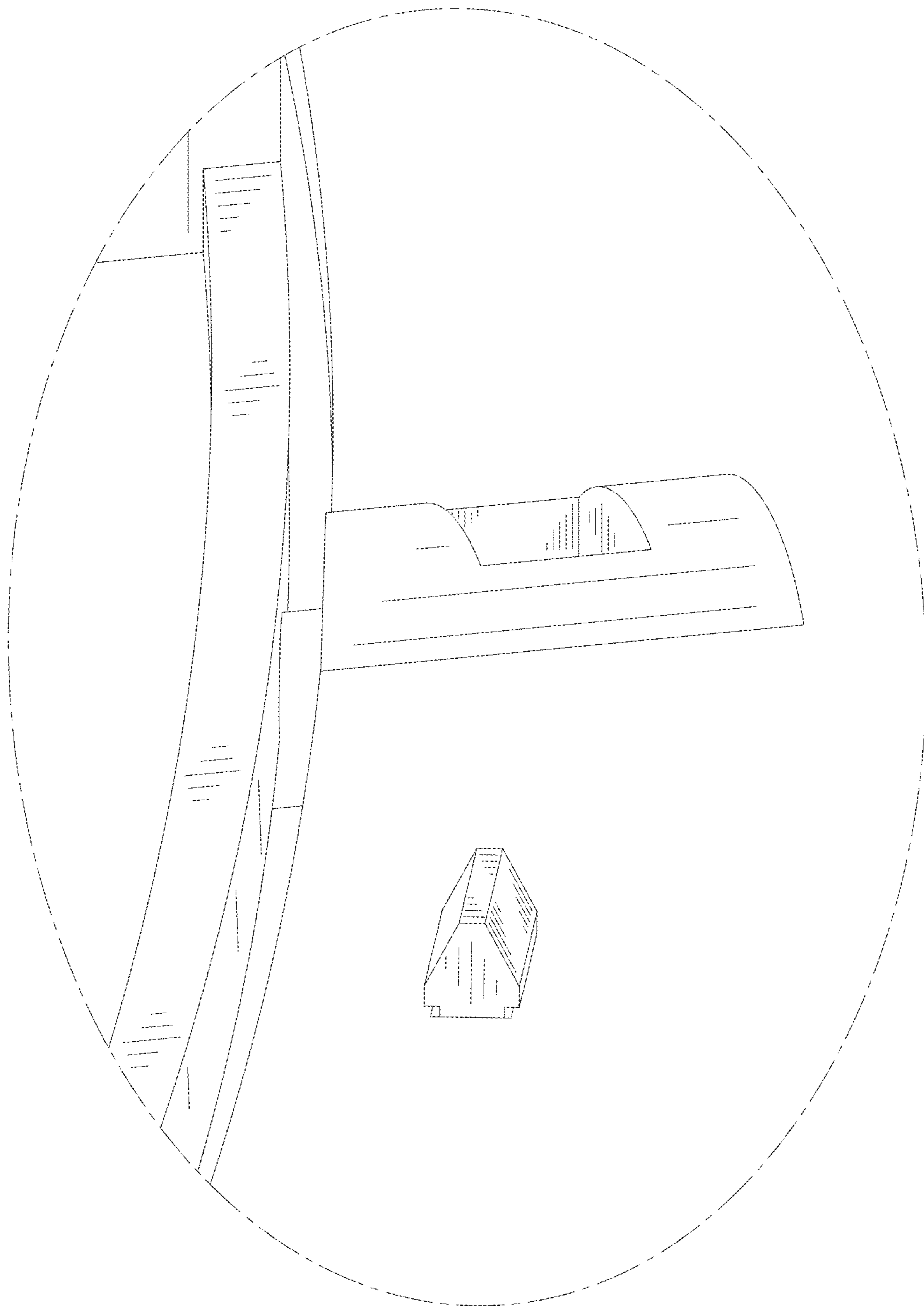


FIG. 11

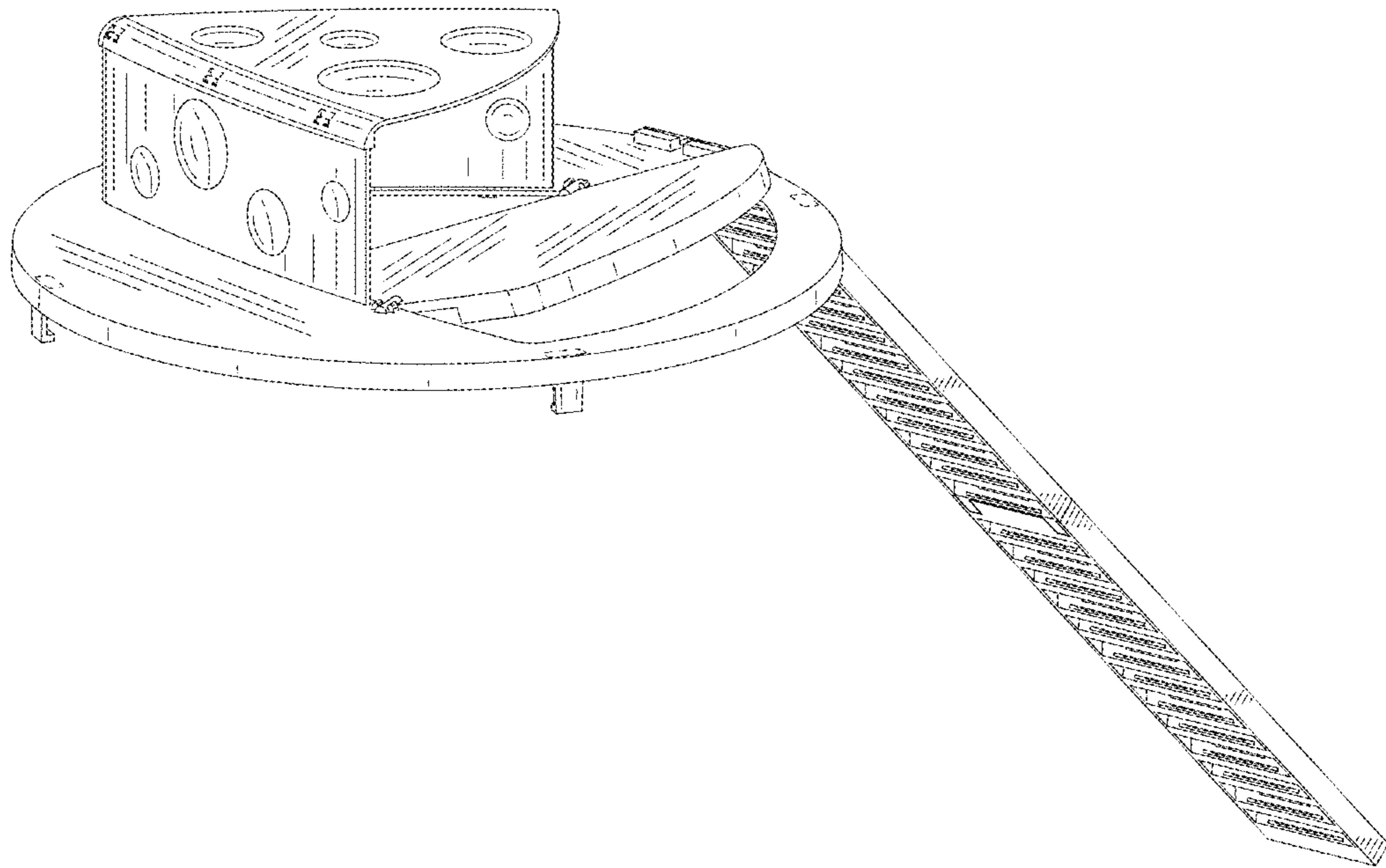


FIG. 12



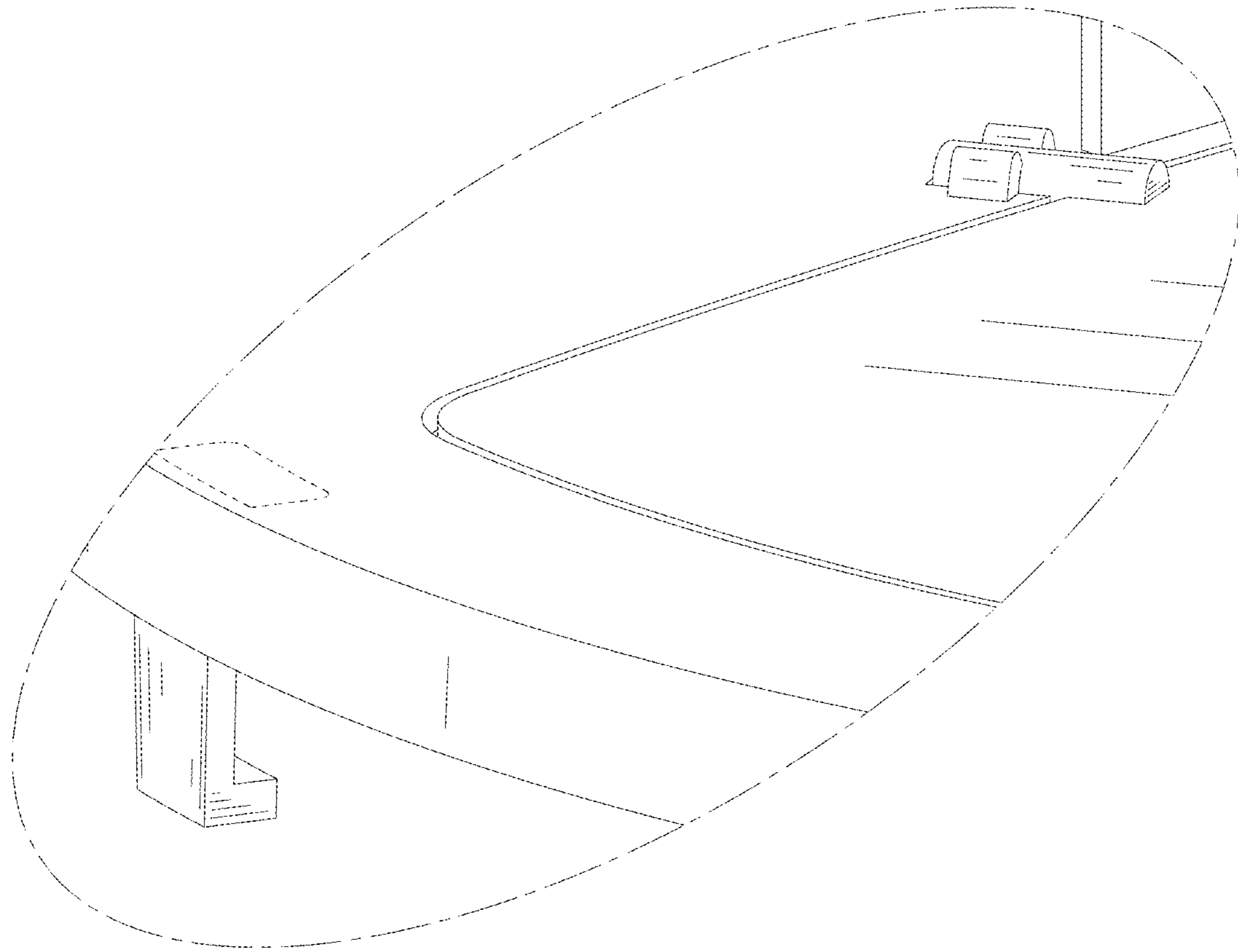


FIG. 13

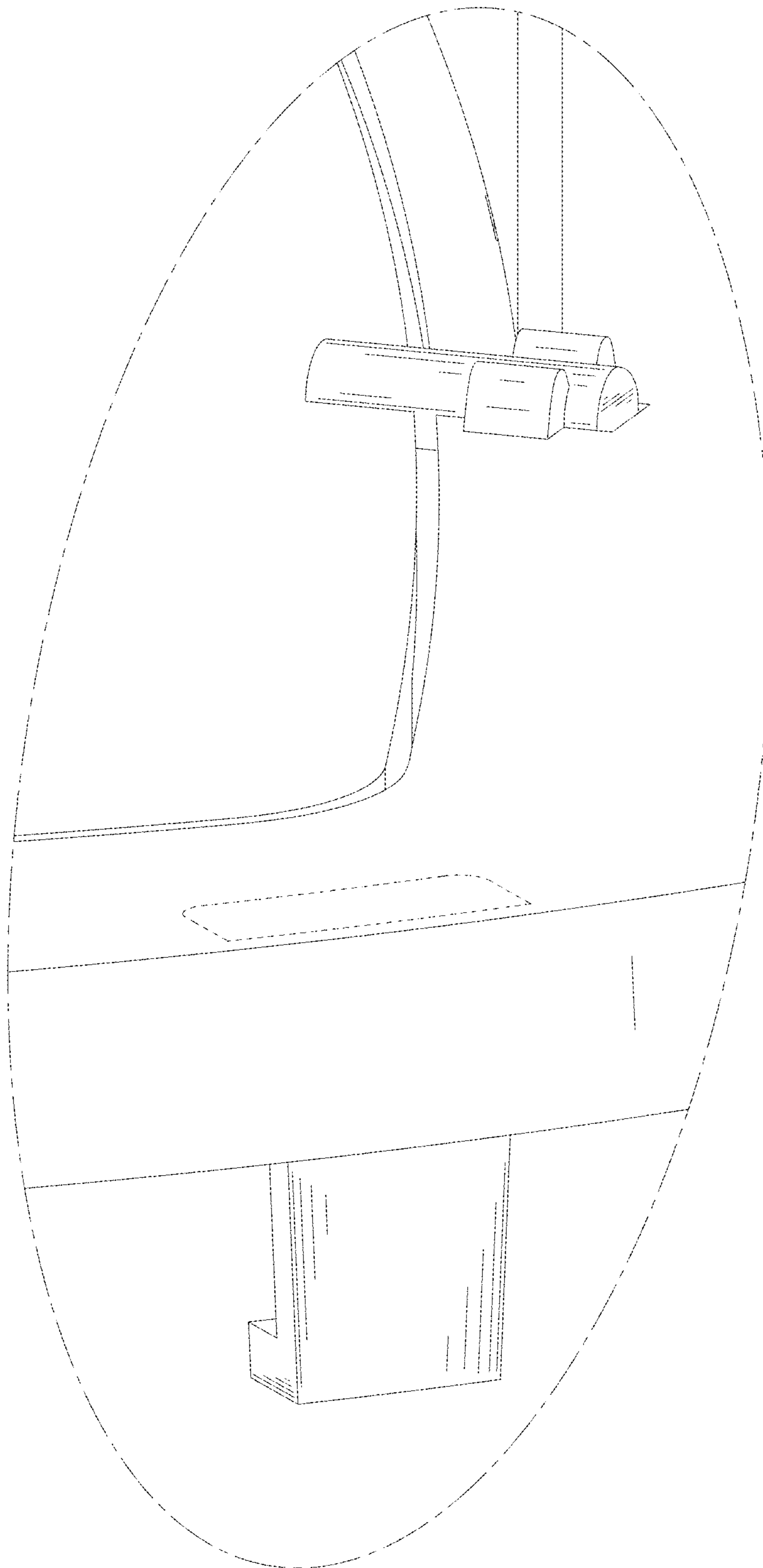


FIG. 14