



US00D967919S

(12) **United States Design Patent**
Lai

(10) **Patent No.:** **US D967,919 S**

(45) **Date of Patent:** **** Oct. 25, 2022**

(54) **HANDLE FOR FIREARM MAINTENANCE**

(71) Applicant: **Focus-On Tools**, Hangzhou (CN)

(72) Inventor: **Yue Jiang Lai**, Hangzhou (CN)

(**) Term: **15 Years**

(21) Appl. No.: **29/766,020**

(22) Filed: **Jan. 13, 2021**

(51) **LOC (13) Cl.** **22-01**

(52) **U.S. Cl.**
USPC **D22/108**; D8/107

(58) **Field of Classification Search**
USPC D22/100, 103, 108, 109; D21/567, 570,
D21/573; D8/83, 107, 300, 303, 321
CPC F41C 7/00; F41C 23/00; F16B 37/047;
F16L 27/1274
See application file for complete search history.

(56) **References Cited**

U.S. PATENT DOCUMENTS

D308,810 S *	6/1990	Murawski	D10/69
D351,098 S *	10/1994	Tsai	D8/83
D366,364 S *	1/1996	Pollock	D22/108
D406,300 S *	3/1999	Fitzgerald, Jr.	D22/100
D424,650 S *	5/2000	Reichow	D22/100
D435,773 S *	1/2001	Lin	D8/83
D442,843 S *	5/2001	Hsu	D8/83
D469,839 S *	2/2003	Gibbs	D22/107
D519,349 S *	4/2006	Chen	D8/83
D637,470 S *	5/2011	Vigil	D8/107
D659,730 S *	5/2012	Cantlon	D15/140
D672,423 S *	12/2012	Buie, II	D22/199
D675,703 S *	2/2013	Buie, II	D22/199
D677,355 S *	3/2013	Buie, II	D22/199
D677,356 S *	3/2013	Buie, II	D22/199
D683,810 S *	6/2013	Buie, II	D22/108
D764,621 S *	8/2016	Dueck	D22/108
D833,565 S *	11/2018	Roberts	D22/108
D839,375 S *	1/2019	James	D22/108

D844,093 S *	3/2019	Shelton	D22/199
D854,395 S *	7/2019	Meyer	D8/303
D857,143 S *	8/2019	Mateko	D22/108
D863,006 S *	10/2019	Buie, II	D22/108
D873,100 S *	1/2020	Buie, II	D22/108
D891,896 S *	8/2020	Cheng	D22/199

OTHER PUBLICATIONS

“7.62×39mm Cleaning Kit—Polish Military Surplus” [online]. Acme Approved. [Product first available on Apr. 13, 2015]. Retrieved from the Internet: <<https://www.amazon.com/dp/B00W2HSXZ8>>.*

* cited by examiner

Primary Examiner — Mojtaba Tehrani

(74) *Attorney, Agent, or Firm* — Fulwider Patton LLP

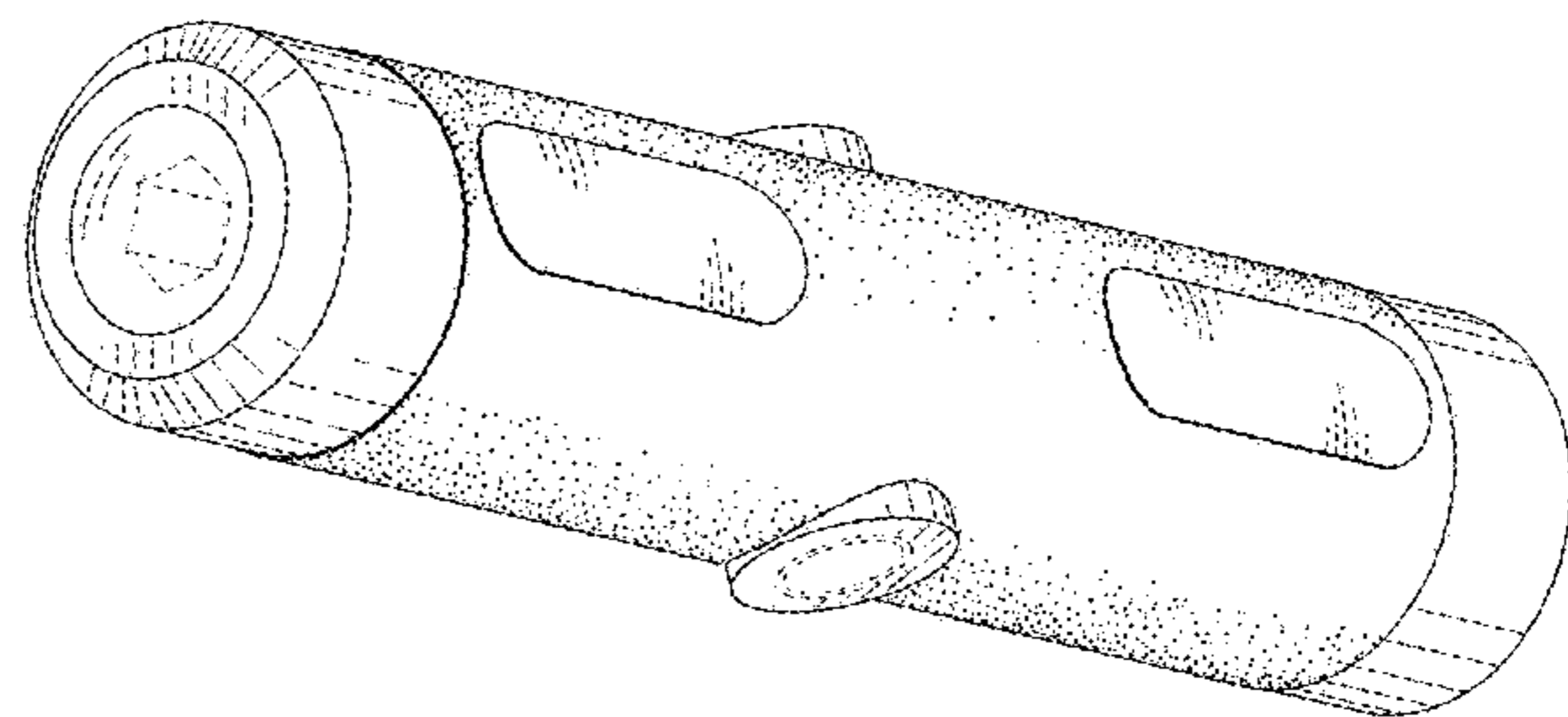
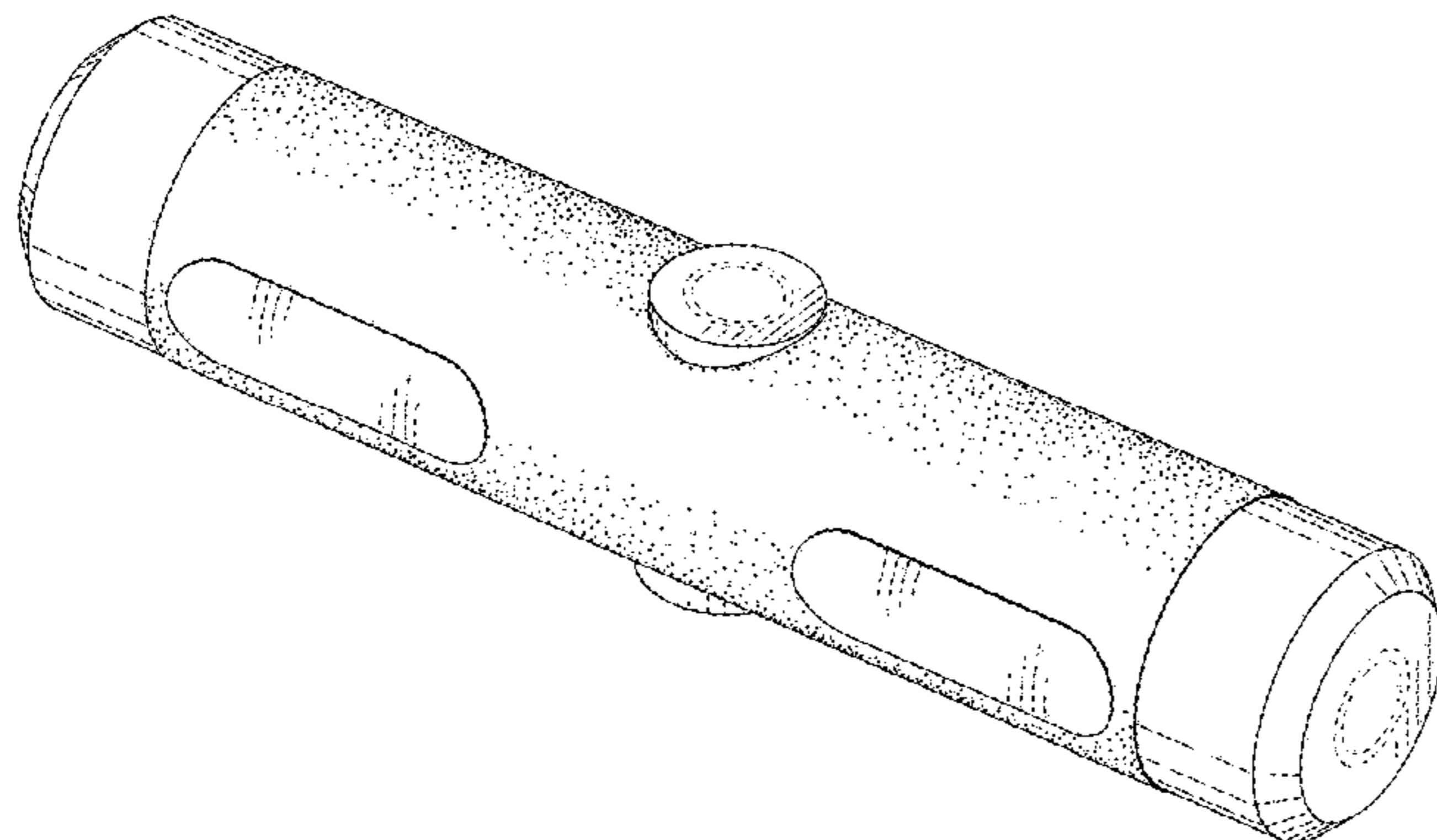
(57) **CLAIM**

The ornamental design for handle for firearm maintenance, as shown and described.

DESCRIPTION

FIG. 1 is a perspective view from above of a handle for firearm maintenance, showing our new design; FIG. 2 is a perspective view from below thereof; FIG. 3 is a top view thereof, the bottom view (not shown) being the same as the top view; FIG. 4 is a left view thereof, the right view (not shown) being the same as the left view; FIG. 5 is a front end view thereof; and, FIG. 6 is a back end view thereof. The broken lines in the drawings disclose unclaimed portions of the handle for firearm maintenance only and form no part of the claimed design.

1 Claim, 2 Drawing Sheets



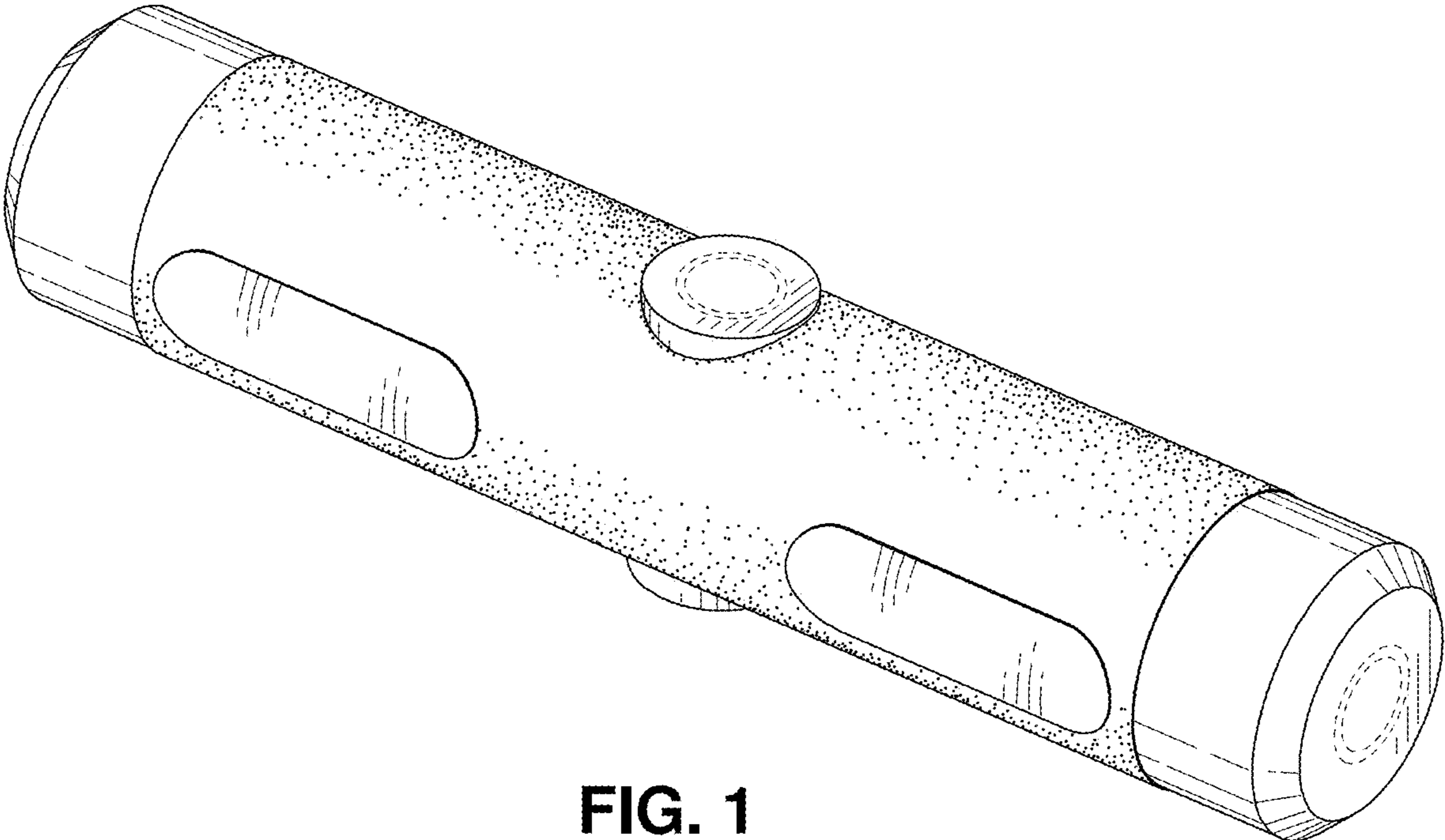


FIG. 1

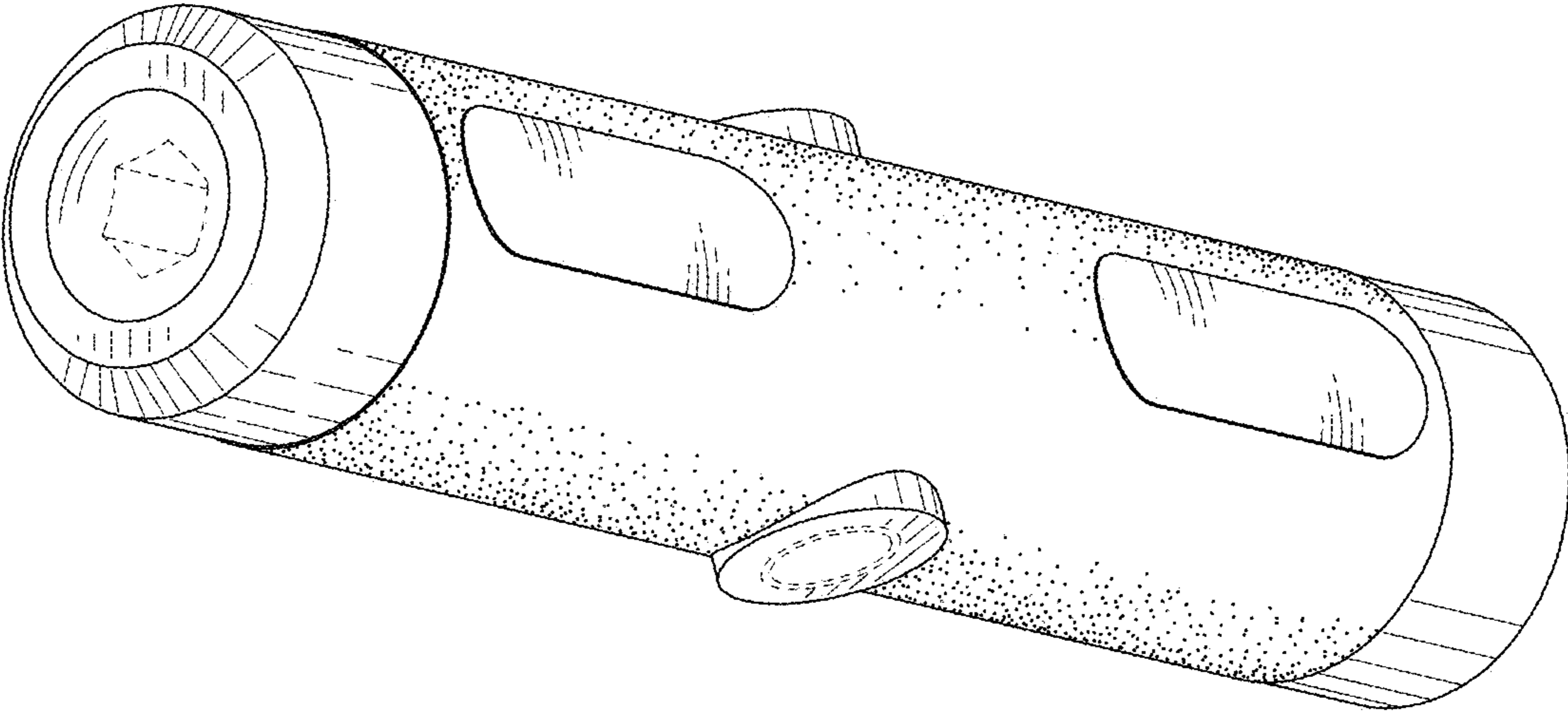


FIG. 2

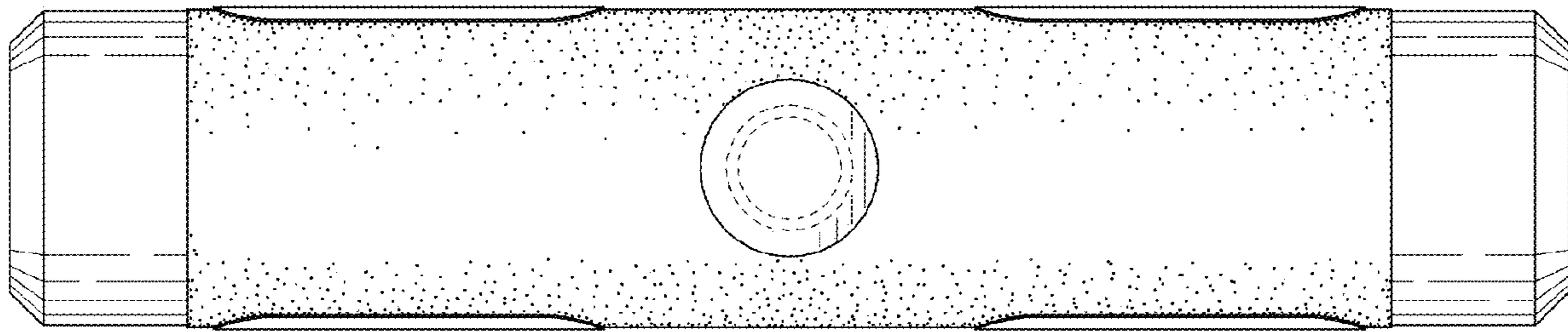


FIG. 3

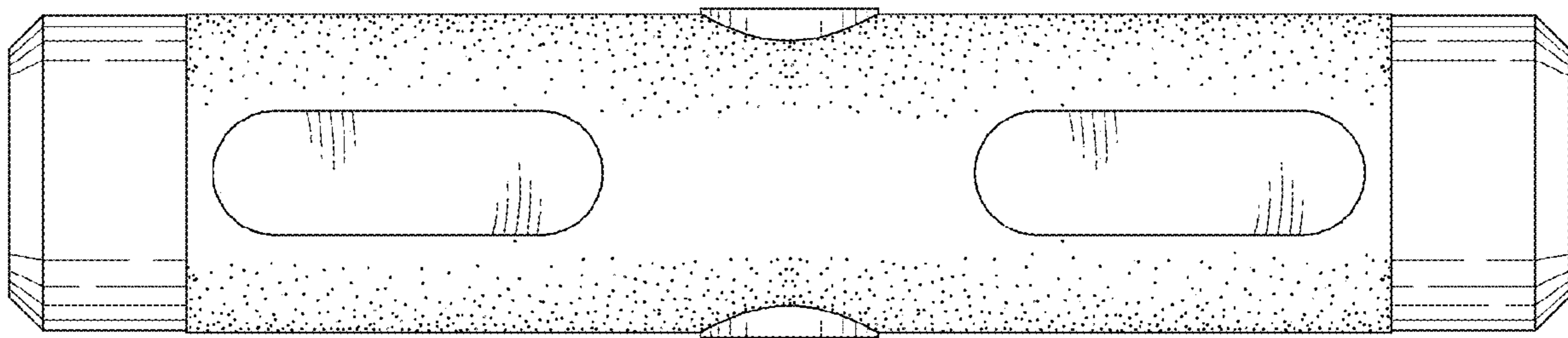


FIG. 4

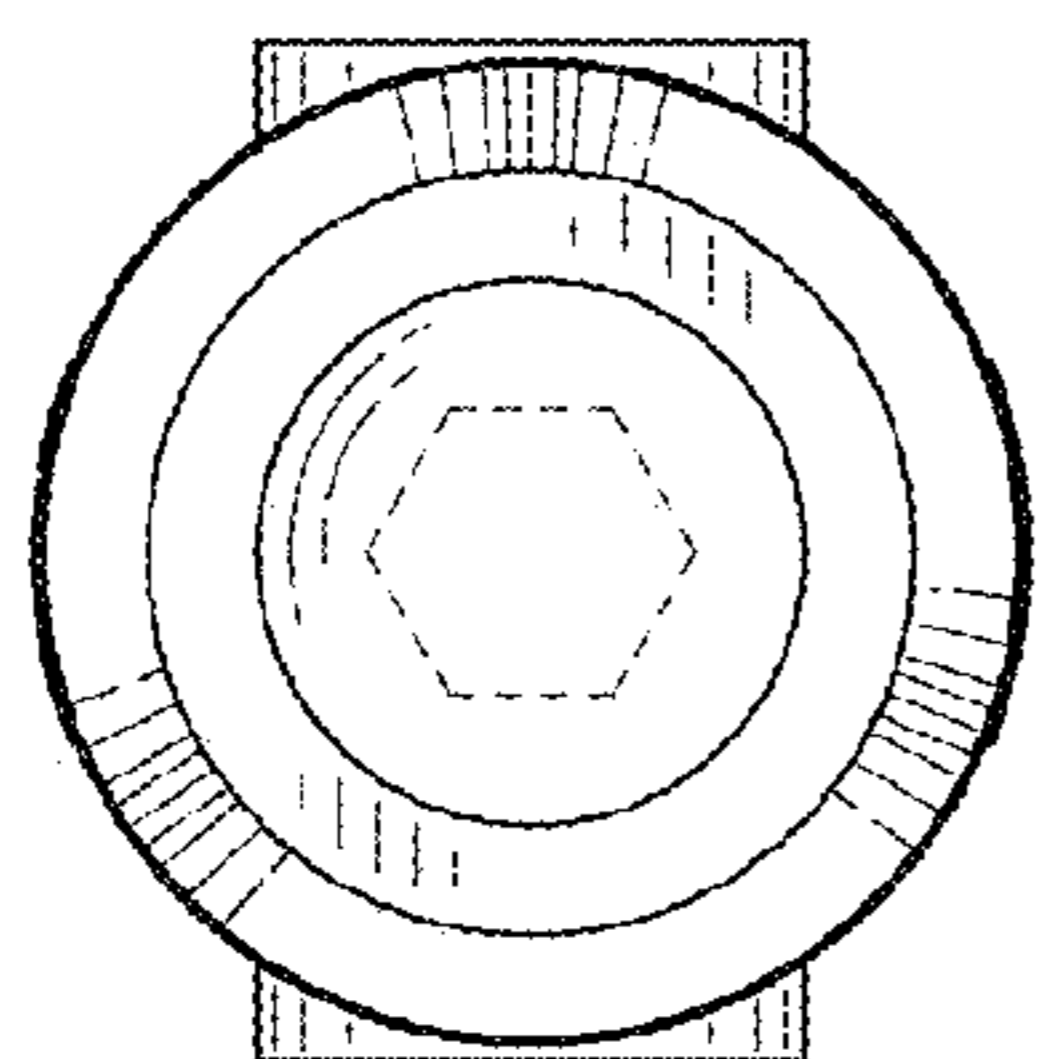


FIG. 5

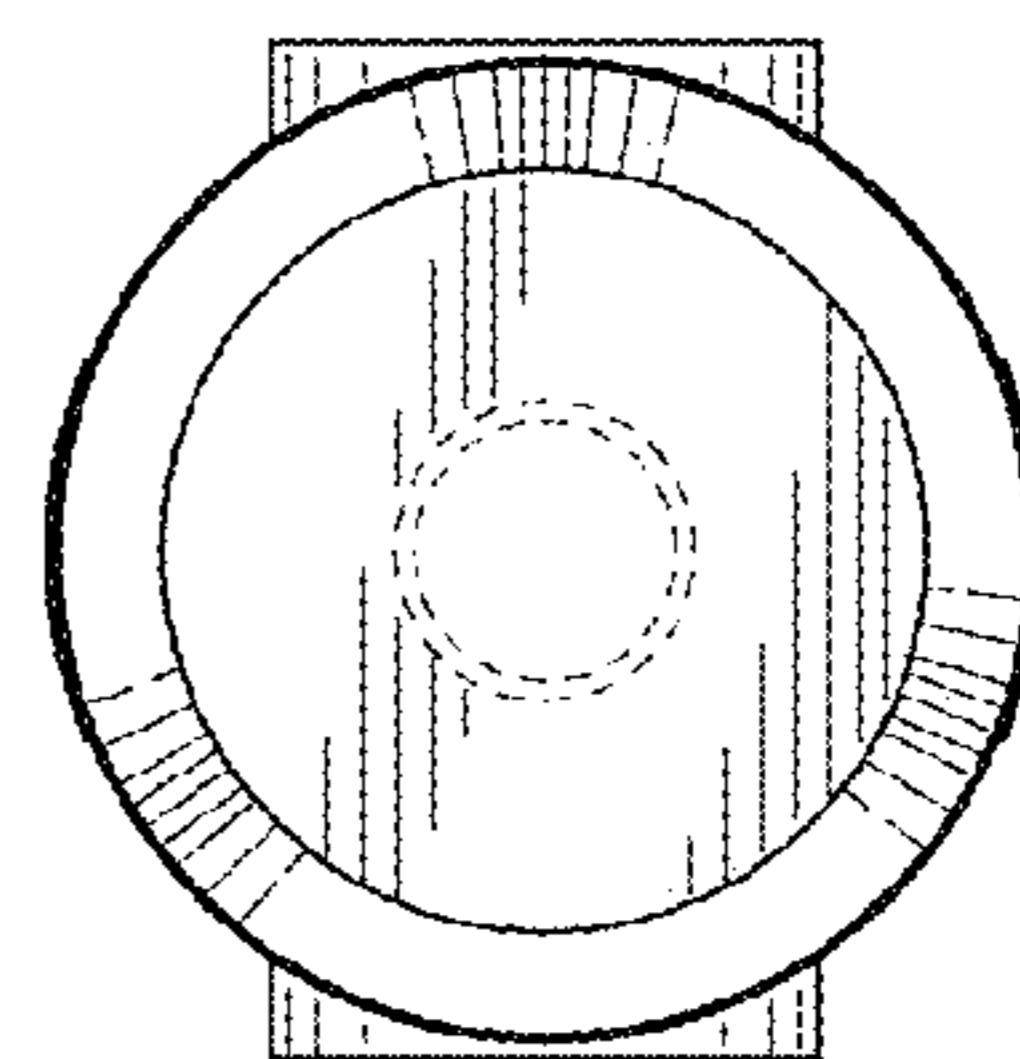


FIG. 6