

US00D967916S

(12) **United States Design Patent**
Kroloff et al.

(10) **Patent No.:** **US D967,916 S**
(45) **Date of Patent:** **** Oct. 25, 2022**

(54) **GOLF CLUB HEAD**

(71) Applicant: **PARSONS XTREME GOLF, LLC**,
Scottsdale, AZ (US)

(72) Inventors: **Caleb S. Kroloff**, Phoenix, AZ (US);
Bradley D. Schweigert, Cave Creek,
AZ (US); **Michael R. Nicolette**,
Scottsdale, AZ (US)

(73) Assignee: **PARSONS XTREME GOLF, LLC**,
Scottsdale, AZ (US)

(**) Term: **15 Years**

(21) Appl. No.: **29/805,526**

(22) Filed: **Aug. 27, 2021**

Related U.S. Application Data

(60) Division of application No. 29/724,581, filed on Feb.
18, 2020, now Pat. No. Des. 933,149, which is a
(Continued)

(51) **LOC (13) Cl.** **21-02**

(52) **U.S. Cl.**
USPC **D21/752**

(58) **Field of Classification Search**
USPC D21/733, 752, 759
(Continued)

(56) **References Cited**

U.S. PATENT DOCUMENTS

1,133,129 A 3/1915 Govan
1,269,745 A 6/1918 Robertson
(Continued)

FOREIGN PATENT DOCUMENTS

CN 1572343 A 2/2005
CN 1608696 A 4/2005
(Continued)

OTHER PUBLICATIONS

PXG.com; Apr. 29, 2022.*
Pxx golf clubs google search; google.com; Apr. 29, 2022.*

Primary Examiner — Mitchell I. Siegel

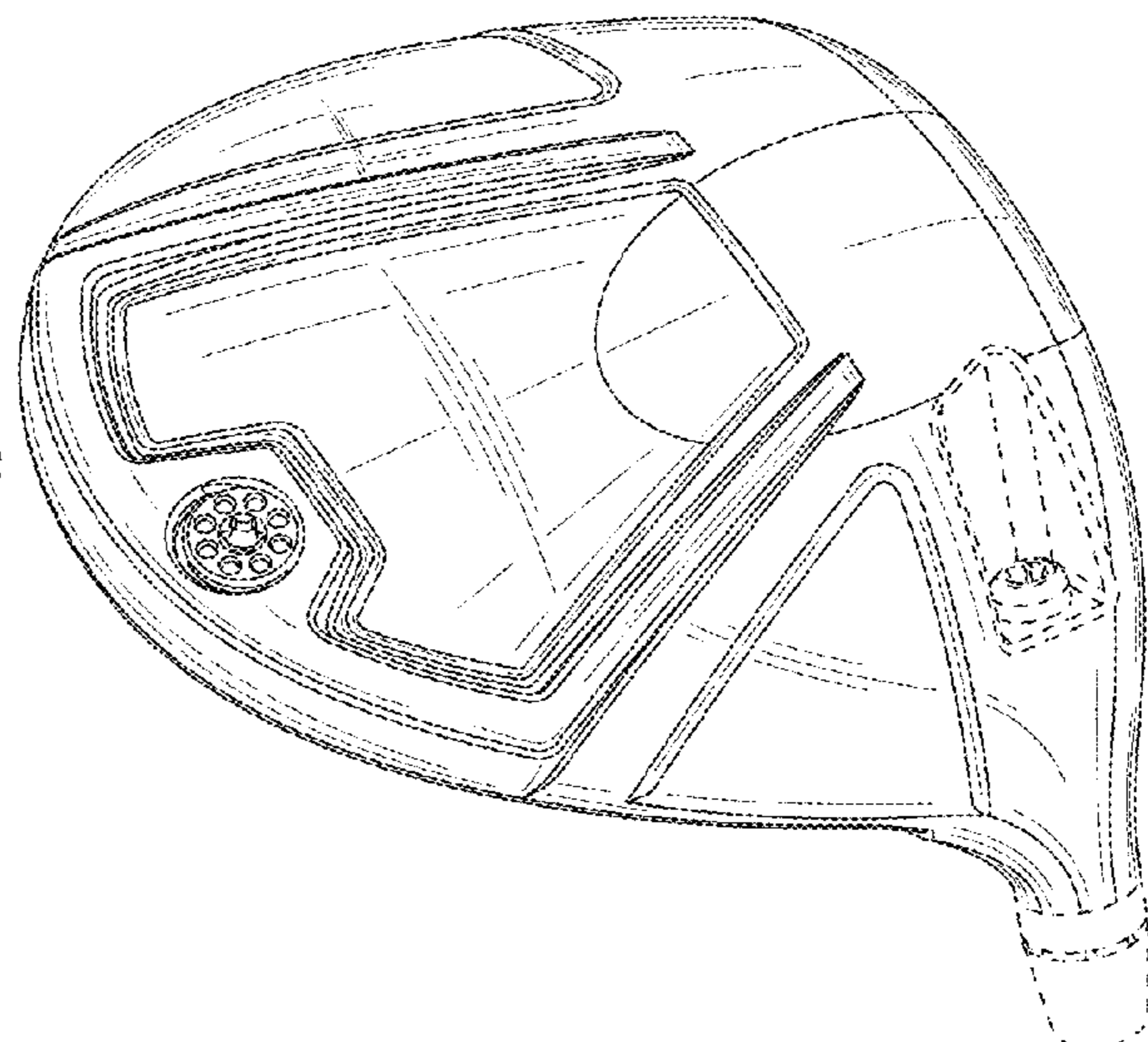
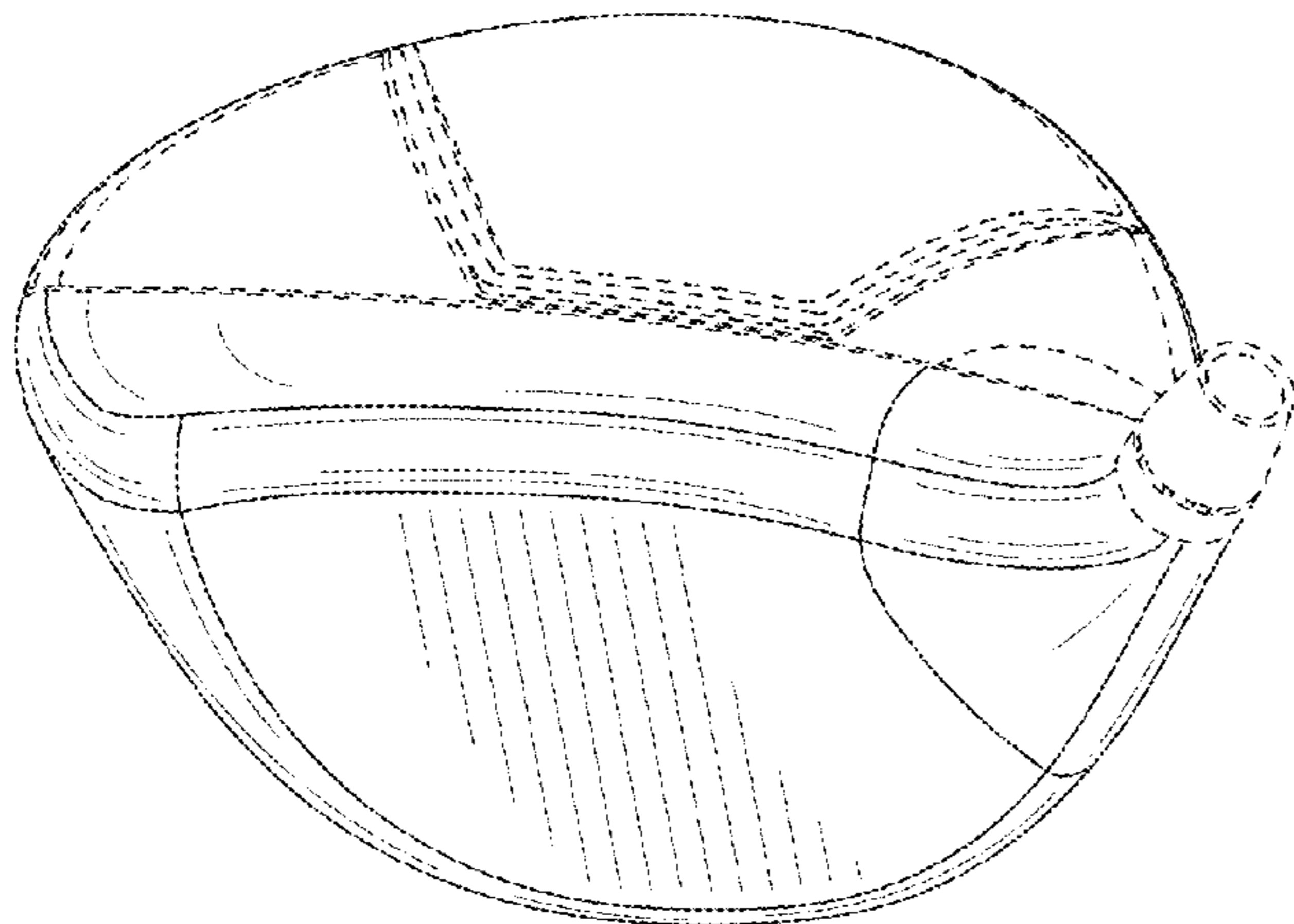
(57) **CLAIM**

The ornamental design for a golf club head, as shown and described.

DESCRIPTION

FIG. 1 is a top perspective view of a golf club head according to a first embodiment;
FIG. 2 is a bottom perspective view of the golf club head of FIG. 1;
FIG. 3 is a front elevational view of the golf club head of FIG. 1;
FIG. 4 is a rear elevational view of the golf club head of FIG. 1;
FIG. 5 is a top view of the golf club head of FIG. 1;
FIG. 6 is a bottom view of the golf club head of FIG. 1;
FIG. 7 is a left side view of the golf club head of FIG. 1;
FIG. 8 is a right side view of the golf club head of FIG. 1;
FIG. 9 is a top perspective view of a golf club head according to a second embodiment;
FIG. 10 is a bottom perspective view of the golf club head of FIG. 9;
FIG. 11 is a front elevational view of the golf club head of FIG. 9;
FIG. 12 is a rear elevational view of the golf club head of FIG. 9;
FIG. 13 is a top view of the golf club head of FIG. 9;
FIG. 14 is a bottom view of the golf club head of FIG. 9;
FIG. 15 is a left side view of the golf club head of FIG. 9; and,
FIG. 16 is a right side view of the golf club head of FIG. 9. The broken lines shown on the drawings form no part of the claimed design.

1 Claim, 8 Drawing Sheets



Related U.S. Application Data

continuation-in-part of application No. 29/719,608, filed on Jan. 6, 2020, now abandoned, which is a continuation-in-part of application No. 29/717,441, filed on Dec. 17, 2019, now abandoned, which is a continuation-in-part of application No. 29/717,071, filed on Dec. 13, 2019, now abandoned.

(58) **Field of Classification Search**

CPC A63B 53/00; A63B 53/04; A63B 53/0466; A63B 2053/002; A63B 2053/0445; A63B 2053/0433; A63B 2053/0491; A63B 2053/0437; A63B 60/00; A63B 60/46
See application file for complete search history.

(56) **References Cited**

U.S. PATENT DOCUMENTS

1,306,029 A 6/1919 Robertson
D55,867 S 7/1920 Matters
1,509,429 A 9/1924 Hillerich
1,534,600 A 4/1925 Mattern
1,538,312 A 5/1925 Neish
1,543,691 A * 6/1925 Beat A63B 53/08
473/342

1,774,590 A 9/1930 Buhrke
D84,525 S 6/1931 Klin
D94,549 S 2/1935 Jansky
D94,550 S 2/1935 Jansky
D138,437 S 8/1944 Link
D138,438 S 8/1944 Link
D138,439 S 8/1944 Link
D138,441 S 8/1944 Link
D138,442 S 8/1944 Link
D185,177 S 5/1959 Smith
3,556,533 A 1/1971 Hollis
3,652,094 A 3/1972 Glover
D229,431 S 11/1973 Baker
D234,609 S 3/1975 Raymont
D234,610 S 3/1975 Raymont
D240,748 S 7/1976 Bock et al.
D241,956 S 10/1976 Timbrook
4,085,934 A 4/1978 Churchward
D253,778 S 12/1979 Madison
4,332,388 A 6/1982 Crow
D285,954 S 9/1986 Hasegawa
4,824,116 A 4/1989 Nagamoto et al.
D307,783 S 5/1990 Iinuma
D310,254 S 8/1990 Take et al.
4,988,104 A 1/1991 Shiotani et al.
D326,885 S 6/1992 Paul
5,158,296 A 10/1992 Lee
5,213,328 A 5/1993 Long et al.
5,213,329 A 5/1993 Okumoto et al.
D338,935 S 8/1993 Antonious
D344,561 S 2/1994 Gorman
D351,883 S 10/1994 Solheim et al.
5,451,056 A 9/1995 Manning
5,518,243 A 5/1996 Redman
D371,816 S 7/1996 Yoshioka
D378,111 S * 2/1997 Parente D21/752
5,637,045 A 6/1997 Igarashi
D384,120 S * 9/1997 De La Cruz D21/752
5,766,091 A 6/1998 Humphrey et al.
5,788,584 A * 8/1998 Parente A63B 60/00
473/290

D400,625 S 11/1998 Kubica et al.
D400,627 S 11/1998 Kubica et al.
D402,340 S 12/1998 Sheets et al.
D405,489 S 2/1999 Kubica et al.
D405,492 S 2/1999 Kubica et al.
D442,244 S * 5/2001 Olsavsky D21/752
D444,830 S 7/2001 Kubica et al.
D448,824 S 10/2001 Koizumi et al.
6,306,048 B1 10/2001 McCabe et al.

D460,989 S 7/2002 Ehlers
D473,276 S 4/2003 Kenmi
D473,604 S 4/2003 Antonious
D478,140 S 8/2003 Burrows
D481,087 S 10/2003 Antonious
6,638,182 B2 10/2003 Kosmatka
D491,992 S 6/2004 Baiocchi
6,773,360 B2 8/2004 Willett et al.
D499,158 S * 11/2004 Imamoto D21/752
D502,520 S 3/2005 Dogan et al.
D505,701 S 5/2005 Dogan et al.
D507,615 S * 7/2005 Imamoto D21/752
D508,969 S 8/2005 Hasebe
6,939,247 B1 9/2005 Schweigert et al.
D513,051 S 12/2005 Barez et al.
D514,179 S 1/2006 Chen et al.
D514,185 S 1/2006 Barez et al.
D515,157 S 2/2006 Madore
D515,642 S 2/2006 Antonious
D520,585 S 5/2006 Hasebe
D520,586 S 5/2006 Bingman
D522,077 S 5/2006 Schweigert et al.
D522,601 S 6/2006 Schweigert et al.
D523,103 S 6/2006 Hocknell et al.
D523,104 S 6/2006 Hasebe
D523,498 S 6/2006 Chen et al.
D524,392 S 7/2006 Madore et al.
D524,396 S 7/2006 Madore et al.
D524,397 S 7/2006 Madore et al.
D526,694 S 8/2006 Schweigert et al.
D532,471 S * 11/2006 Oldknow D21/752
D532,854 S * 11/2006 Oldknow D21/752
D533,611 S 12/2006 Mahaffey et al.
D534,599 S 1/2007 Barez et al.
7,166,040 B2 1/2007 Hoffman et al.
D536,401 S 2/2007 Kawami
D536,402 S 2/2007 Kawami
D536,403 S 2/2007 Kawami
D537,495 S 2/2007 Schweigert et al.
D538,363 S 3/2007 Schweigert et al.
D538,371 S 3/2007 Kawami
7,186,190 B1 3/2007 Beach et al.
7,223,180 B2 5/2007 Willett et al.
D544,561 S * 6/2007 Oldknow D21/759
D550,318 S 9/2007 Oldknow
D550,800 S * 9/2007 Ruggiero D21/759
D552,198 S 10/2007 Schweigert et al.
D556,280 S 11/2007 Madore
D557,363 S 12/2007 Jertson et al.
D558,287 S 12/2007 Jertson et al.
D558,288 S 12/2007 Jertson et al.
D560,262 S 1/2008 Nguyen et al.
D561,284 S 2/2008 Nagai et al.
D562,421 S 2/2008 Jertson et al.
D563,498 S 3/2008 Jertson et al.
D564,054 S 3/2008 Jertson et al.
D564,055 S 3/2008 Jertson et al.
7,338,388 B2 3/2008 Schweigert et al.
D567,317 S 4/2008 Jertson et al.
D569,933 S 5/2008 Jertson et al.
D569,934 S 5/2008 Jertson et al.
D569,935 S 5/2008 Schweigert et al.
D569,936 S 5/2008 Schweigert et al.
D569,942 S 5/2008 Jertson et al.
D570,937 S 6/2008 Schweigert et al.
D570,938 S 6/2008 Jertson et al.
7,407,447 B2 8/2008 Beach et al.
7,410,425 B2 8/2008 Willett et al.
7,410,426 B2 8/2008 Willett et al.
7,419,441 B2 9/2008 Hoffman et al.
D579,507 S 10/2008 Llewellyn et al.
7,448,963 B2 11/2008 Beach et al.
7,448,964 B2 11/2008 Schweigert et al.
D584,782 S 1/2009 Barez et al.
D584,783 S 1/2009 Barez et al.
D584,784 S 1/2009 Barez et al.
7,530,904 B2 5/2009 Beach et al.
D594,520 S 6/2009 Schweigert et al.
D594,521 S 6/2009 Jertson et al.

(56)

References Cited

U.S. PATENT DOCUMENTS

D594,919 S 6/2009 Schweigert et al.
 7,540,811 B2 6/2009 Beach et al.
 D597,620 S 8/2009 Taylor et al.
 7,568,985 B2 8/2009 Beach et al.
 7,578,753 B2 8/2009 Beach et al.
 D600,297 S 9/2009 Jertson et al.
 7,591,738 B2 9/2009 Beach et al.
 D603,472 S 11/2009 Schweigert et al.
 7,611,424 B2 11/2009 Nagai et al.
 7,621,823 B2 11/2009 Beach et al.
 D605,715 S 12/2009 Barez et al.
 7,632,194 B2 12/2009 Beach et al.
 7,658,686 B2 2/2010 Soracco
 7,713,142 B2 5/2010 Hoffman et al.
 7,717,804 B2 5/2010 Beach et al.
 7,717,805 B2 5/2010 Beach et al.
 D618,746 S 6/2010 Jertson et al.
 D618,747 S 6/2010 Schweigert et al.
 D618,748 S 6/2010 Oldknow
 D618,751 S 6/2010 Breier et al.
 D618,753 S 6/2010 Jertson et al.
 D618,754 S 6/2010 Schweigert et al.
 7,744,484 B1 6/2010 Chao
 D619,182 S * 7/2010 Foster D21/752
 7,798,203 B2 9/2010 Schweigert et al.
 7,846,041 B2 12/2010 Beach et al.
 D631,111 S * 1/2011 Bennett D21/752
 D635,626 S 4/2011 Nicolette
 7,927,229 B2 4/2011 Jertson et al.
 D638,893 S 5/2011 Schweigert et al.
 D638,896 S 5/2011 Schweigert et al.
 7,963,861 B2 6/2011 Beach et al.
 8,012,038 B1 9/2011 Beach et al.
 D647,585 S 10/2011 Jertson et al.
 D652,464 S 1/2012 Bertone et al.
 D656,211 S * 3/2012 Foster D21/752
 D661,751 S 6/2012 Nicolette et al.
 D661,756 S 6/2012 Nicolette et al.
 8,257,196 B1 * 9/2012 Abbott A63B 53/0466
 473/335
 8,262,506 B2 * 9/2012 Watson A63B 53/0466
 473/334
 D673,630 S 1/2013 Schweigert
 D673,632 S 1/2013 Schweigert et al.
 8,371,957 B2 2/2013 Schweigert et al.
 D680,179 S 4/2013 Solheim et al.
 D681,142 S 4/2013 Fossum et al.
 8,414,422 B2 4/2013 Peralta et al.
 8,485,919 B2 * 7/2013 Rice A63B 60/02
 473/334
 D689,156 S 9/2013 Stokke et al.
 D691,230 S 10/2013 Chen et al.
 8,562,457 B2 10/2013 Beach et al.
 8,608,587 B2 12/2013 Henrikson et al.
 8,628,431 B2 1/2014 Schweigert et al.
 8,663,026 B2 3/2014 Blowers et al.
 8,777,778 B2 7/2014 Solheim et al.
 8,784,232 B2 7/2014 Jertson et al.
 8,790,196 B2 7/2014 Solheim et al.
 D712,989 S 9/2014 Gillig
 D714,894 S * 10/2014 Tang D21/759
 8,858,362 B1 * 10/2014 Leposky A63B 53/0466
 473/334
 D722,351 S 2/2015 Parsons et al.
 D724,164 S 3/2015 Schweigert et al.
 8,979,671 B1 * 3/2015 DeMille A63B 60/00
 473/334
 D726,848 S 4/2015 Song
 D726,854 S 4/2015 Song
 D729,892 S 5/2015 Nicolette et al.
 D733,234 S 6/2015 Nicolette
 D737,388 S * 8/2015 Tang D21/759
 9,199,140 B1 12/2015 Schweigert et al.
 D746,927 S 1/2016 Parsons et al.

D748,215 S 1/2016 Parsons et al.
 D753,251 S 4/2016 Schweigert et al.
 D755,319 S 5/2016 Nicolette et al.
 9,352,197 B2 5/2016 Parsons et al.
 D759,178 S 6/2016 Nicolette
 D760,334 S 6/2016 Schweigert et al.
 9,399,158 B2 7/2016 Parsons et al.
 D764,614 S 8/2016 Parsons et al.
 D765,808 S 9/2016 Cardani et al.
 D766,391 S 9/2016 Cardani et al.
 D767,696 S 9/2016 Parsons et al.
 D776,216 S 1/2017 Schweigert et al.
 D777,858 S 1/2017 Schweigert et al.
 9,555,295 B2 1/2017 Schweigert et al.
 9,630,070 B2 4/2017 Parsons et al.
 D786,377 S 5/2017 Parsons et al.
 D791,257 S 7/2017 Oldknow et al.
 D795,978 S 8/2017 Parsons et al.
 D802,069 S 11/2017 Parsons et al.
 D802,070 S 11/2017 Parsons et al.
 D807,976 S 1/2018 Parsons et al.
 D811,503 S * 2/2018 Bacon D21/752
 D812,703 S * 3/2018 Tang D21/752
 D813,327 S * 3/2018 Kim D21/752
 D813,329 S * 3/2018 Tang D21/752
 D814,582 S * 4/2018 Bacon D21/752
 D814,583 S * 4/2018 Stokke D21/752
 D814,584 S * 4/2018 Tang D21/759
 D815,223 S * 4/2018 Stokke D21/752
 D821,514 S 6/2018 Sillies
 D822,134 S 7/2018 Parsons et al.
 D823,410 S 7/2018 Parsons et al.
 D823,958 S * 7/2018 Stokke D21/752
 D825,013 S * 8/2018 Milleman D21/752
 D827,067 S 8/2018 Becktor et al.
 D827,745 S 9/2018 Schweigert et al.
 D839,372 S 1/2019 Schweigert et al.
 D850,551 S 6/2019 Parsons et al.
 D852,303 S * 6/2019 Parsons D21/752
 D852,304 S * 6/2019 Parsons D21/752
 D852,305 S * 6/2019 Parsons D21/752
 10,376,754 B2 * 8/2019 Parsons A63B 60/006
 D865,886 S * 11/2019 Parsons D21/752
 10,556,161 B2 * 2/2020 Jertson A63B 53/06
 10,695,624 B2 6/2020 Parsons et al.
 10,722,765 B2 7/2020 Schweigert et al.
 D897,462 S * 9/2020 Parsons D21/752
 D897,463 S * 9/2020 Parsons D21/752
 D897,464 S 9/2020 Parsons et al.
 D909,511 S * 2/2021 Cyrulik D21/752
 D909,517 S * 2/2021 Cyrulik D21/759
 D914,817 S 3/2021 Parsons et al.
 D914,820 S 3/2021 Parsons et al.
 D921,786 S 6/2021 Parsons et al.
 D921,787 S 6/2021 Parsons et al.
 D923,732 S 6/2021 Parsons et al.
 D926,901 S 8/2021 Parsons et al.
 D933,149 S * 10/2021 Kroloff D21/752
 2006/0105856 A1 5/2006 Lo
 2006/0111200 A1 5/2006 Poynor
 2007/0293344 A1 12/2007 Davis
 2008/0188322 A1 8/2008 Anderson et al.
 2009/0029795 A1 1/2009 Schweigert et al.
 2010/0144461 A1 6/2010 Ban
 2011/0143858 A1 6/2011 Peralta et al.
 2012/0202615 A1 8/2012 Beach et al.
 2013/0303304 A1 11/2013 Sato
 2014/0113739 A1 * 4/2014 Jertson A63B 60/04
 473/291
 2019/0314690 A1 * 10/2019 Schweigert A63B 53/04
 2020/0215397 A1 * 7/2020 Parsons A63B 53/04
 2020/0230471 A1 * 7/2020 Parsons A63B 60/02

FOREIGN PATENT DOCUMENTS

CN 203108126 U 8/2013
 CN 102143783 B 2/2014
 CN 203790537 U 8/2014
 EP 1955740 A1 8/2008

(56)

References Cited

FOREIGN PATENT DOCUMENTS

JP	H10241003	A	9/1998
JP	H119742	A	1/1999
JP	2002535056	A	10/2002
JP	2005287679	A	10/2005
JP	2006223331	A	8/2006
JP	2007136068	A	6/2007
JP	20080173314		7/2008
JP	3158662	U	4/2010
JP	2013544178	A	12/2013

* cited by examiner

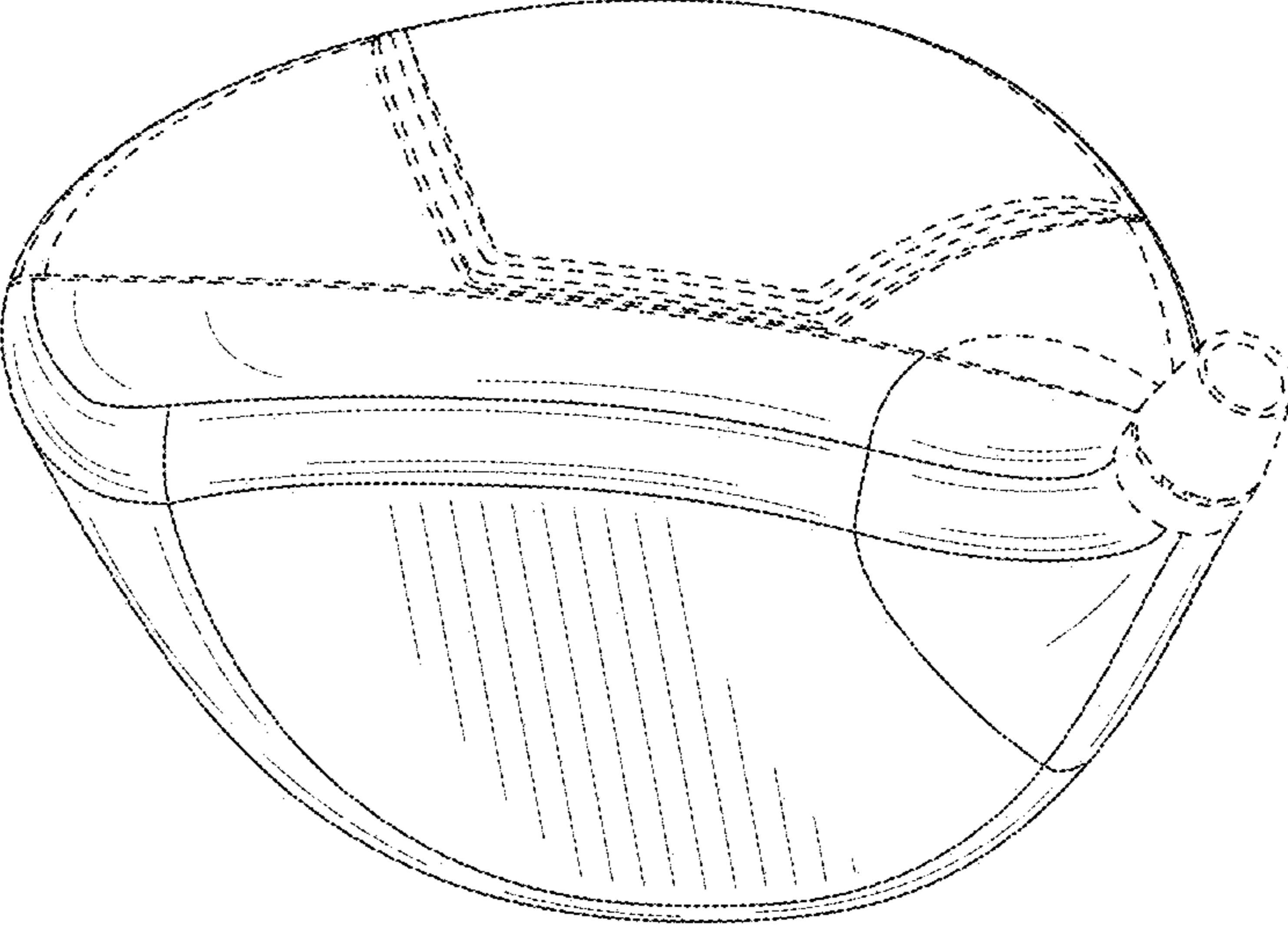


FIG. 1

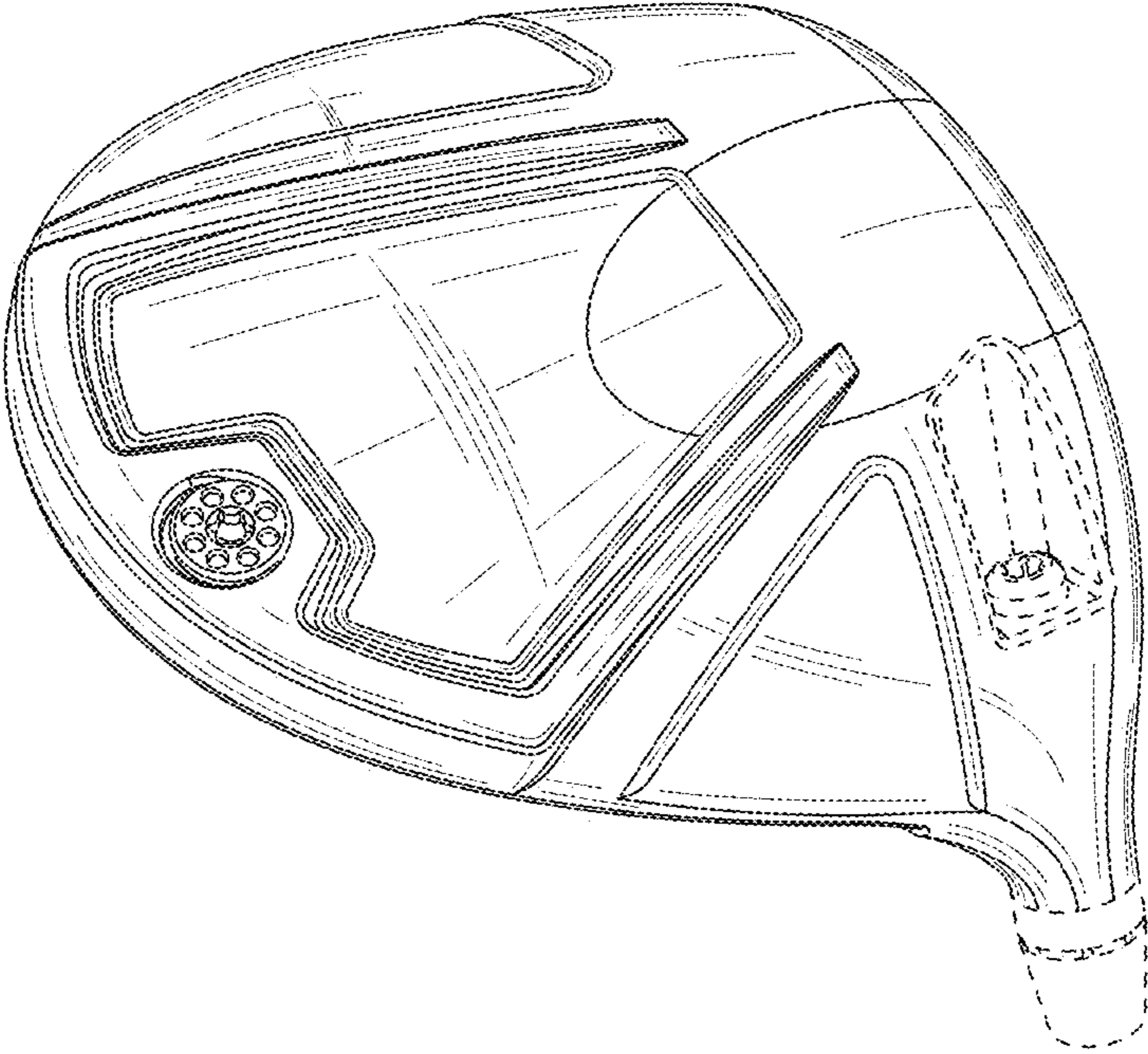


FIG. 2

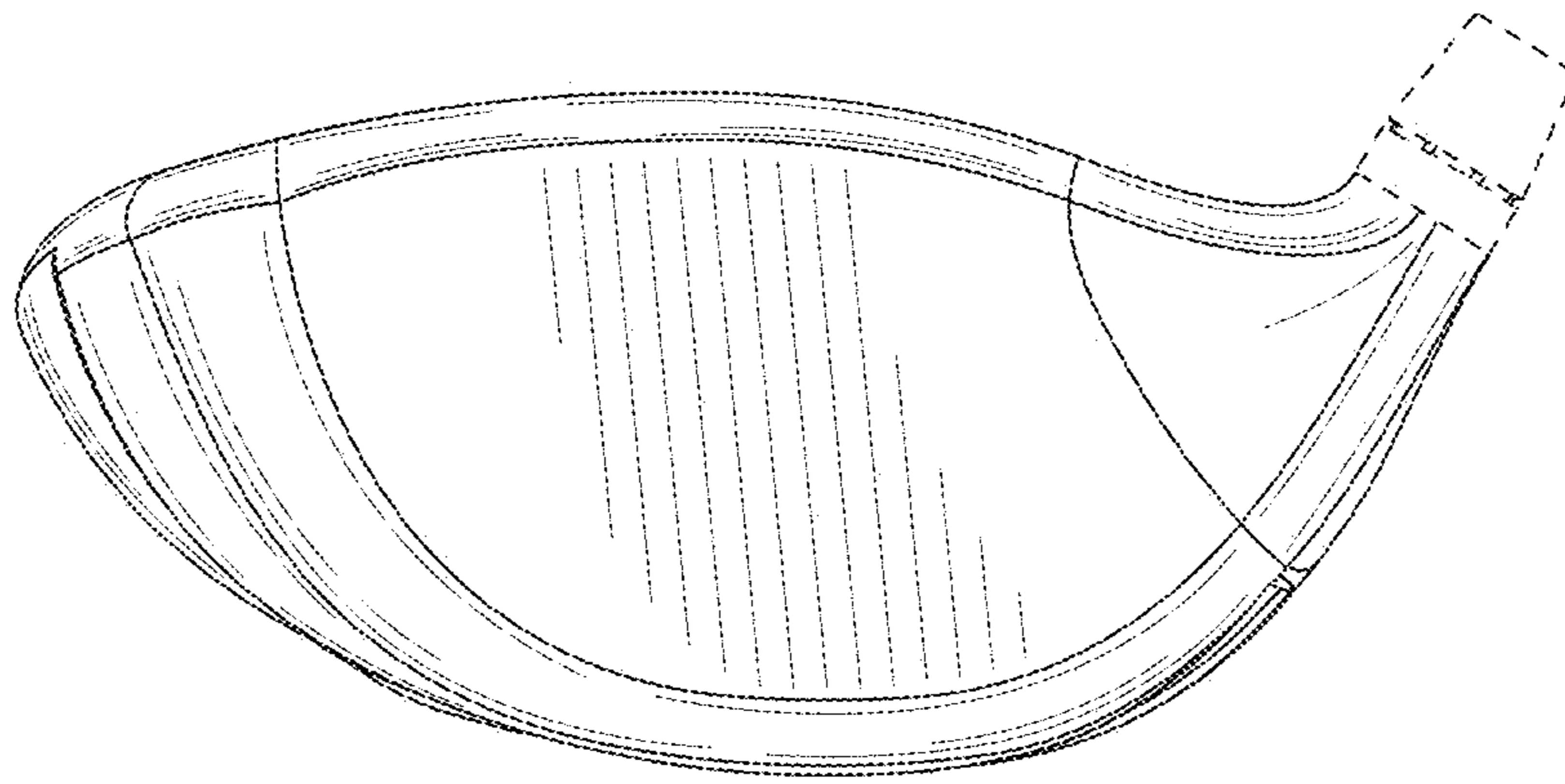


FIG. 3

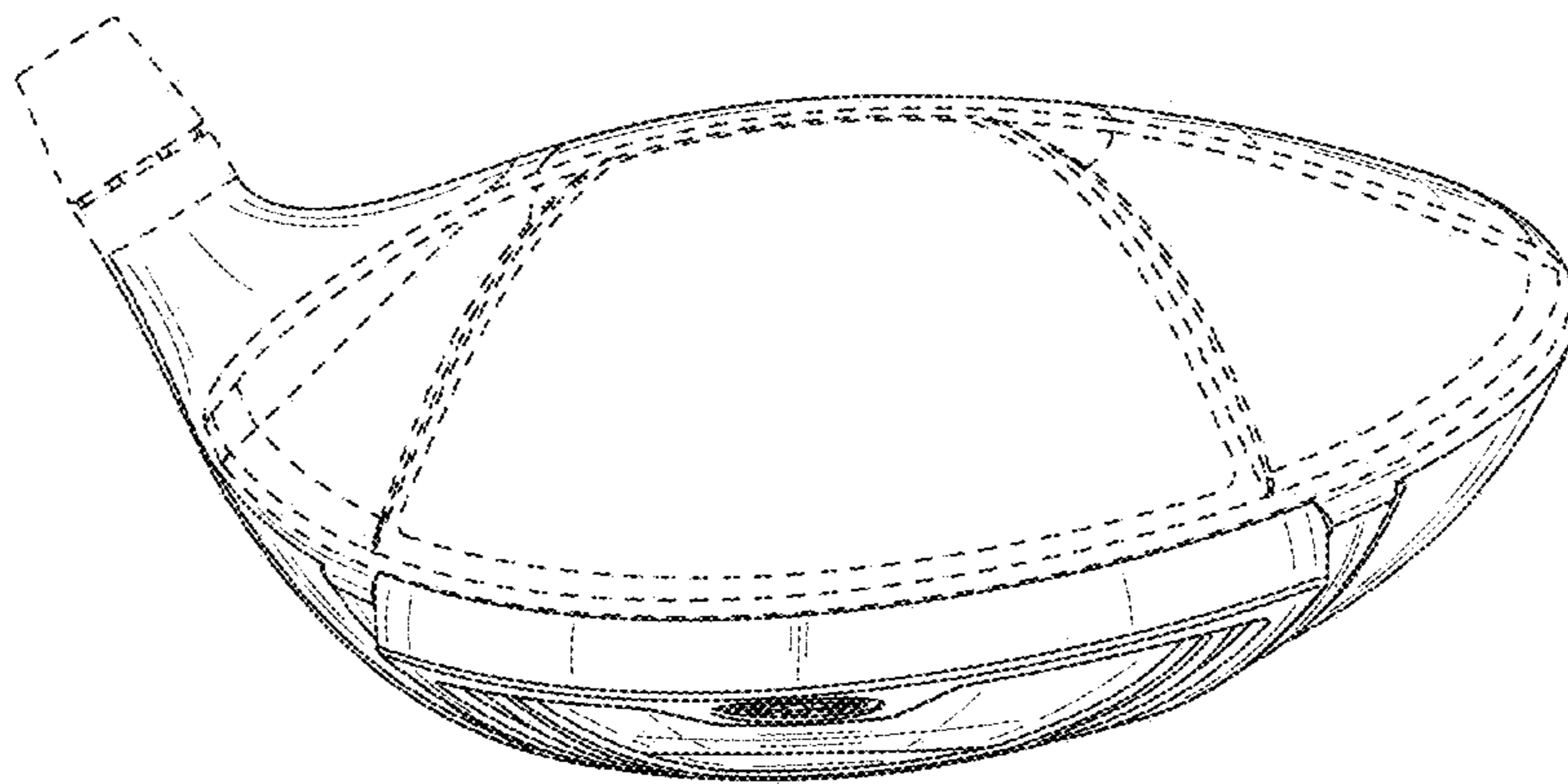


FIG. 4

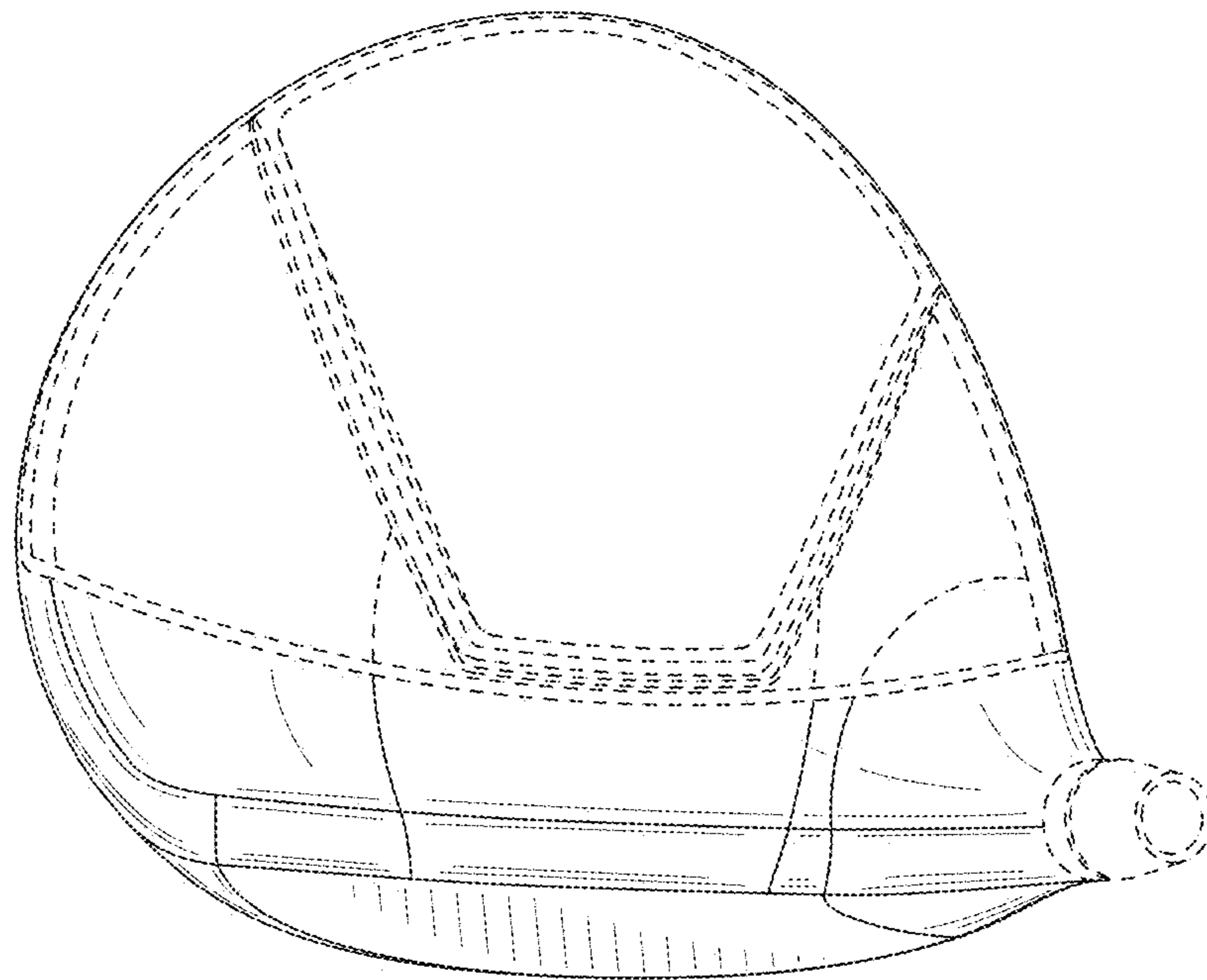


FIG. 5

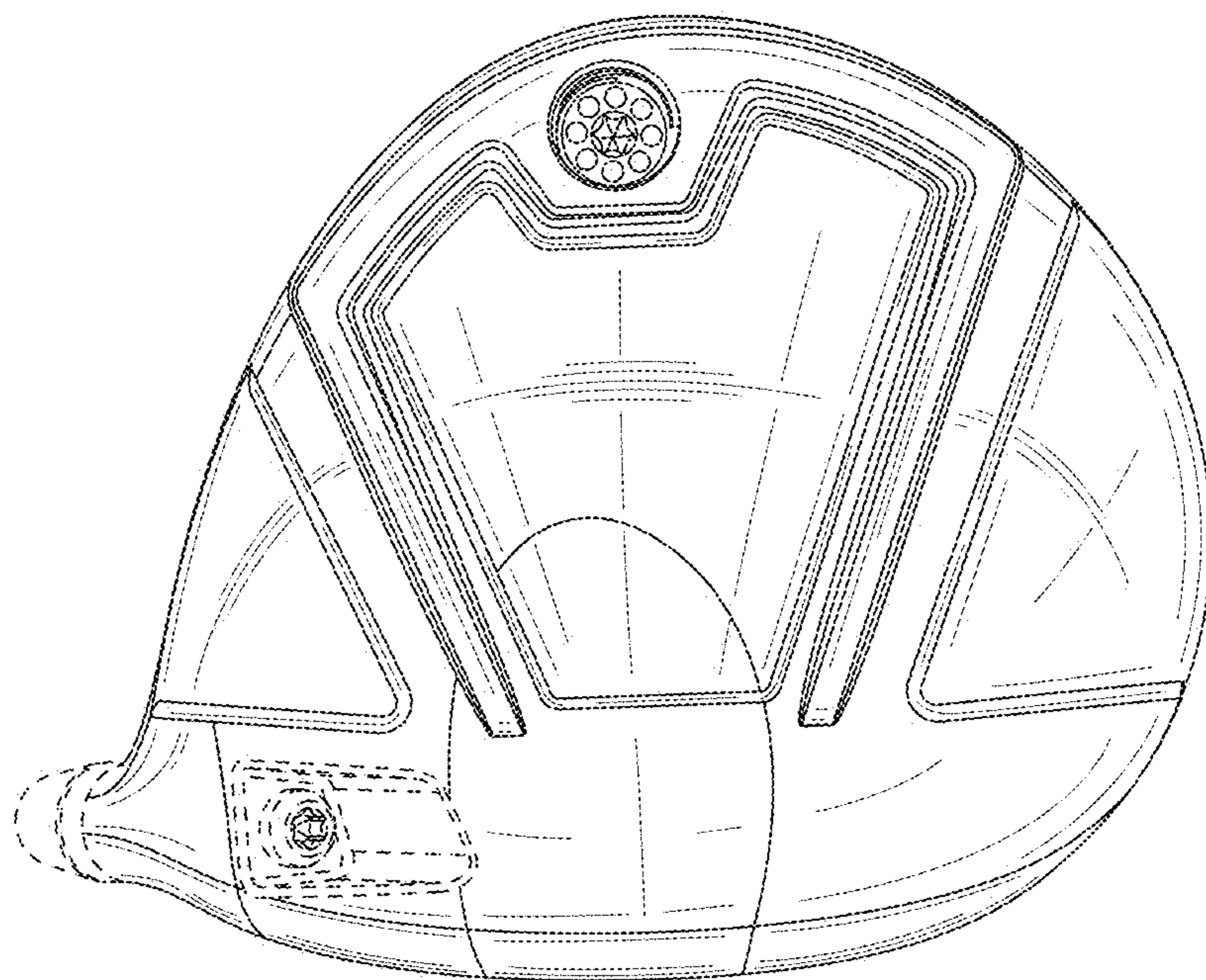


FIG. 6

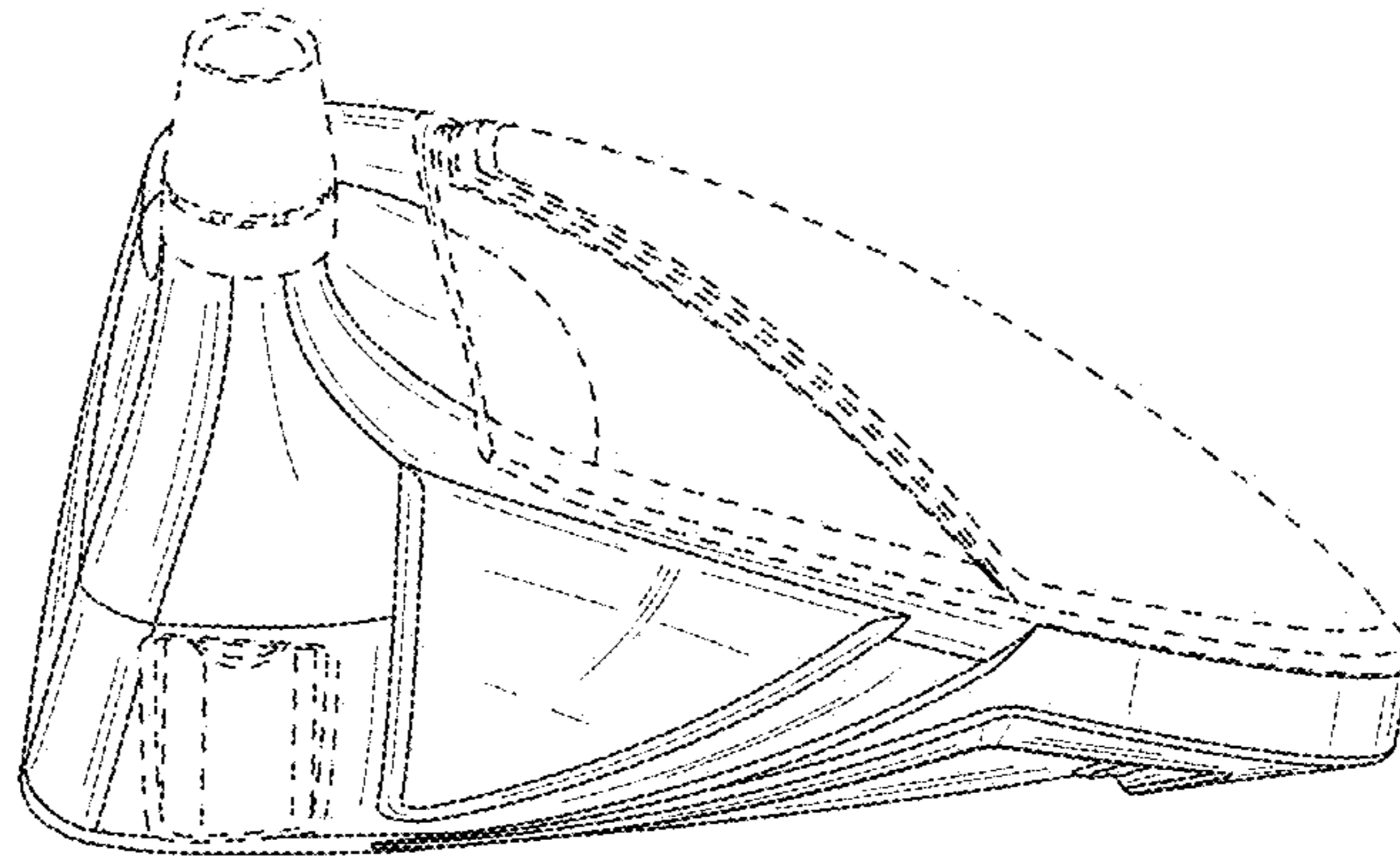


FIG. 7

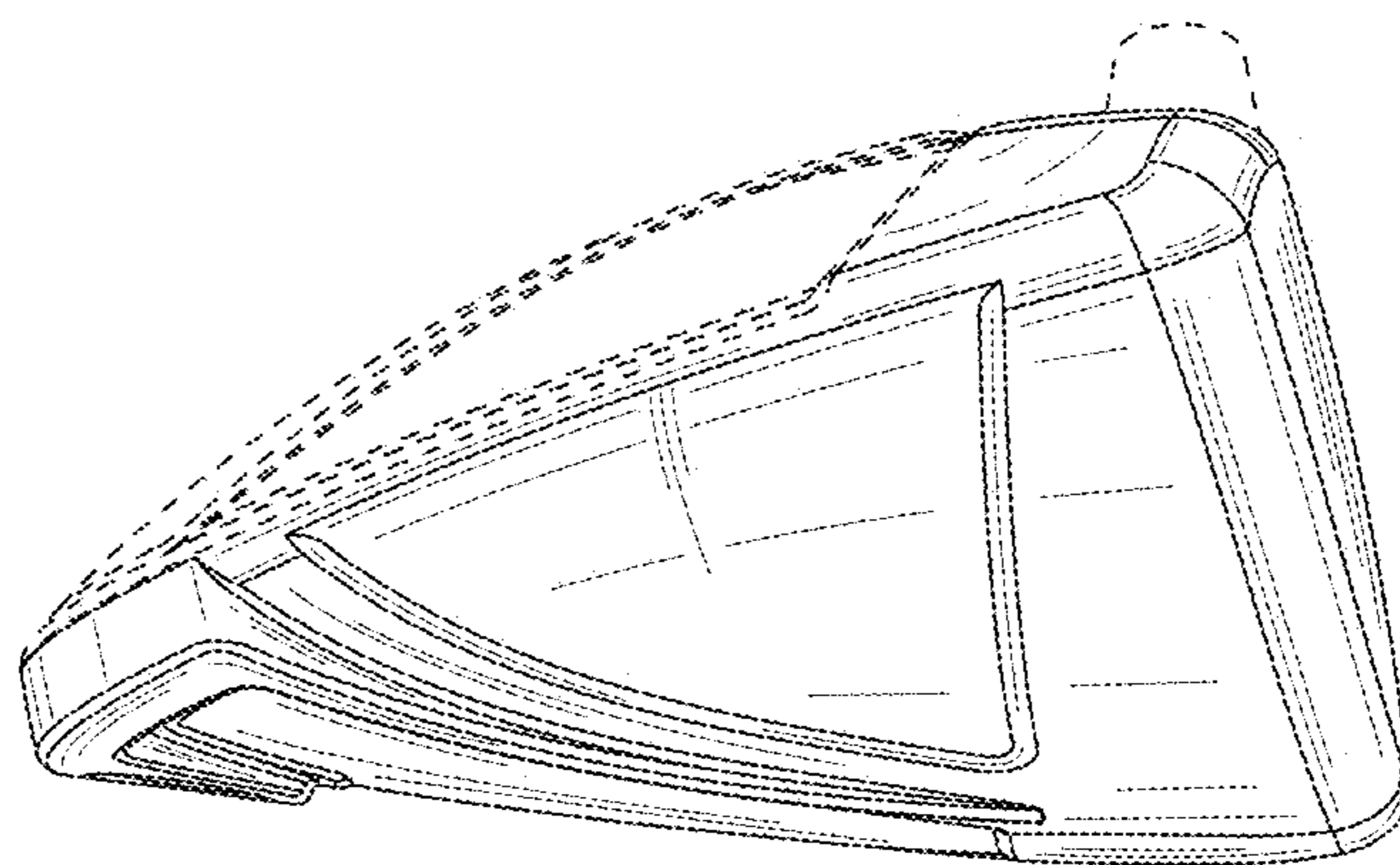


FIG. 8

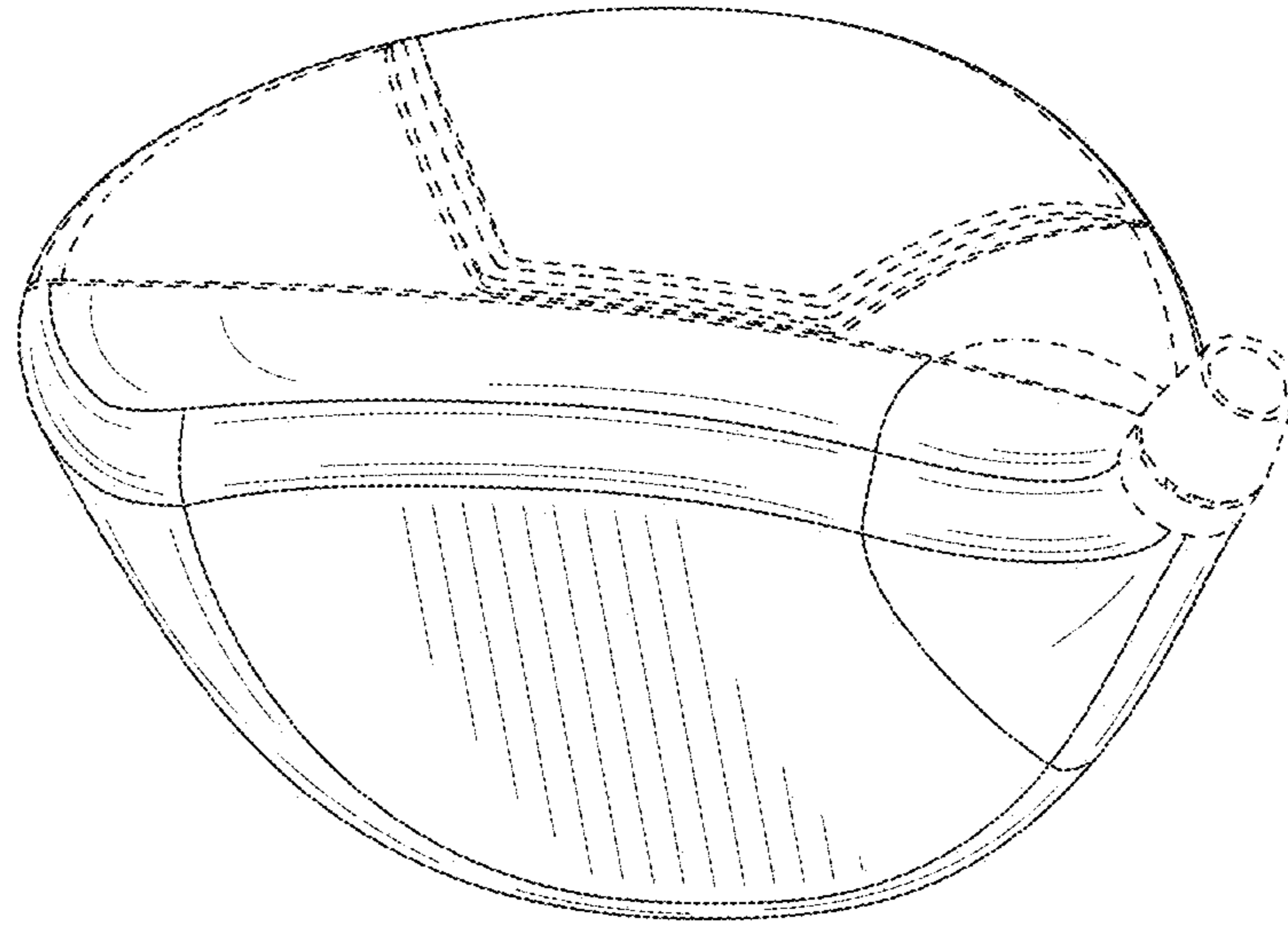


FIG. 9

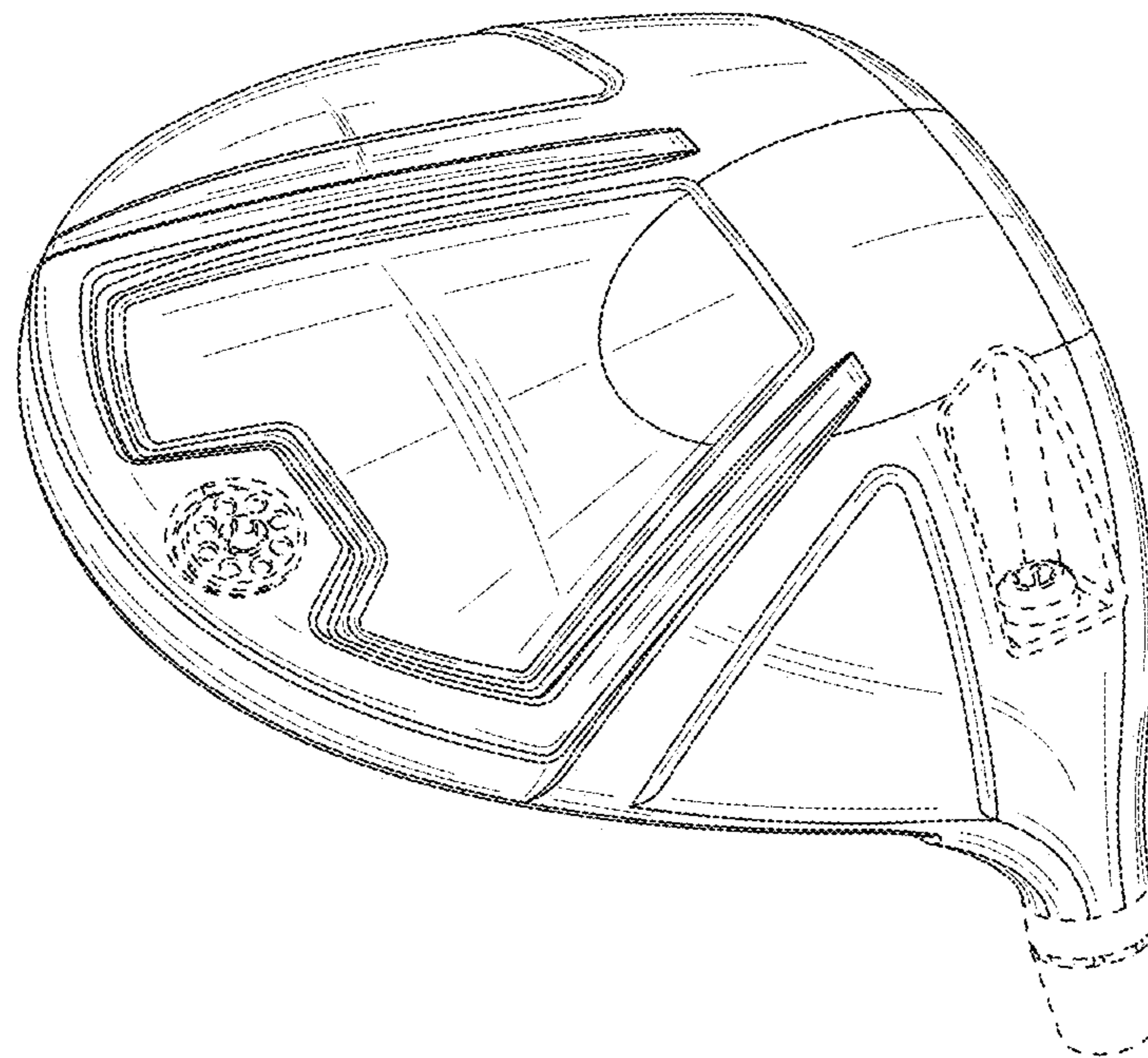


FIG. 10

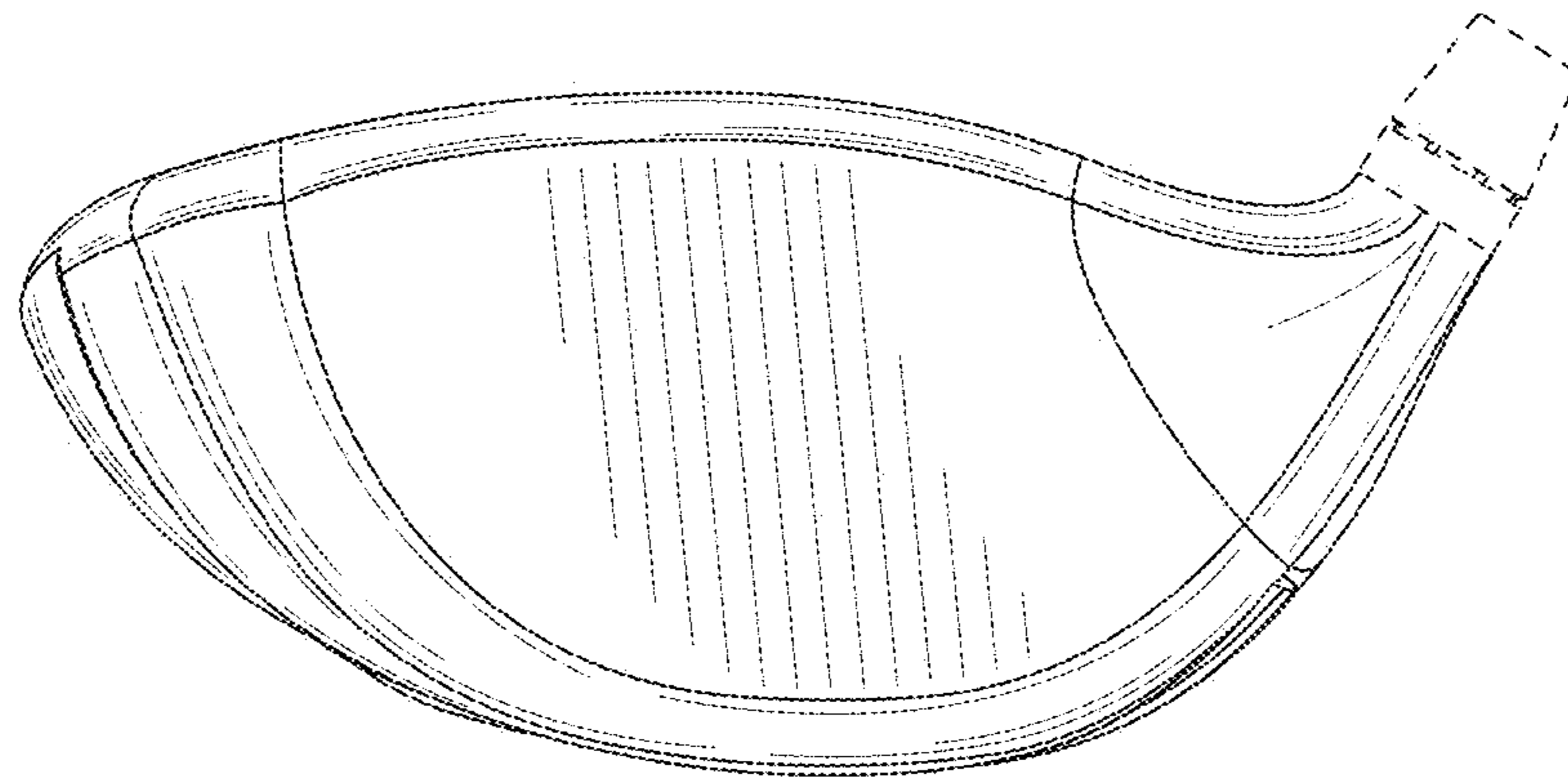


FIG. 11

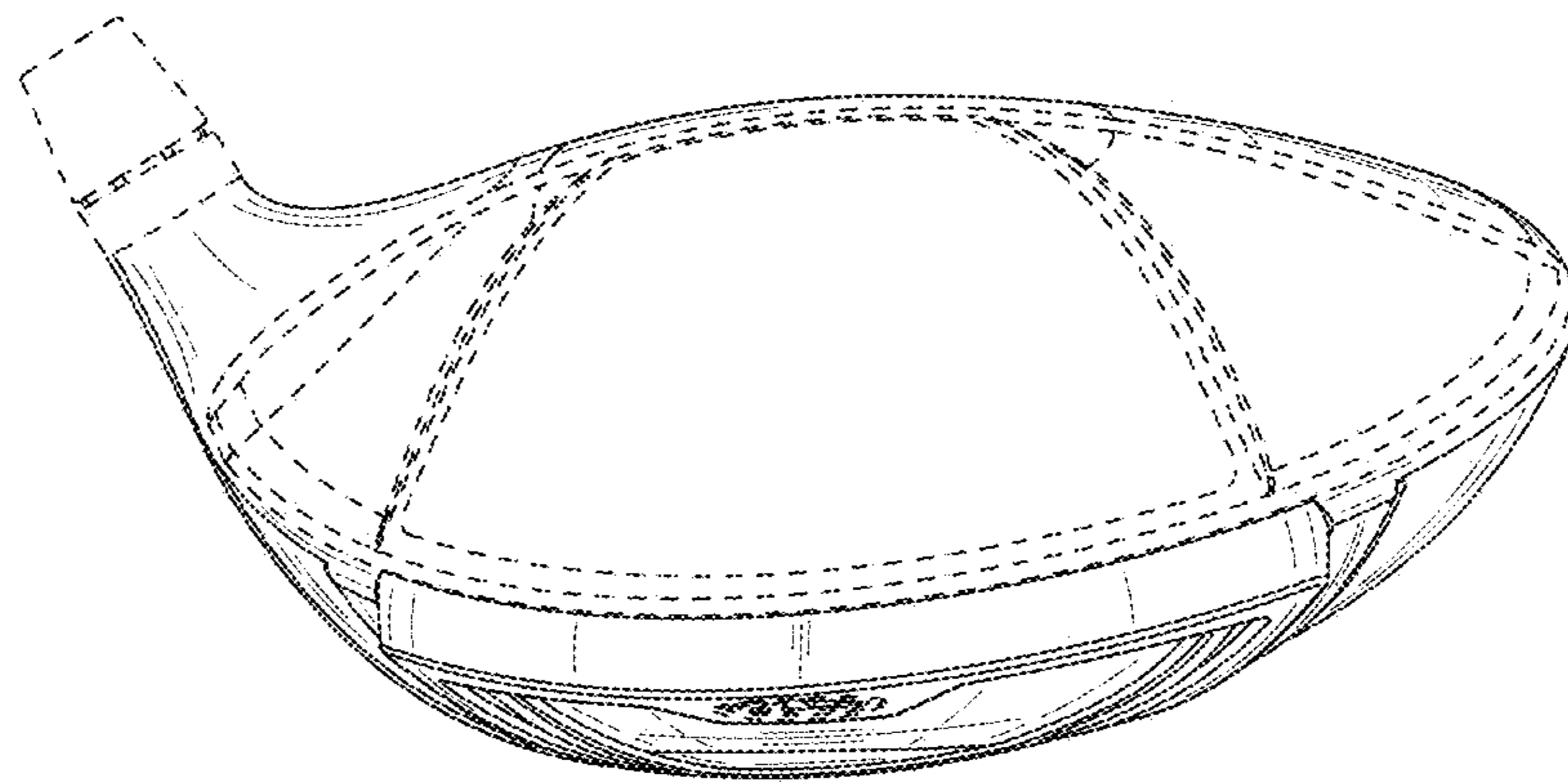


FIG. 12

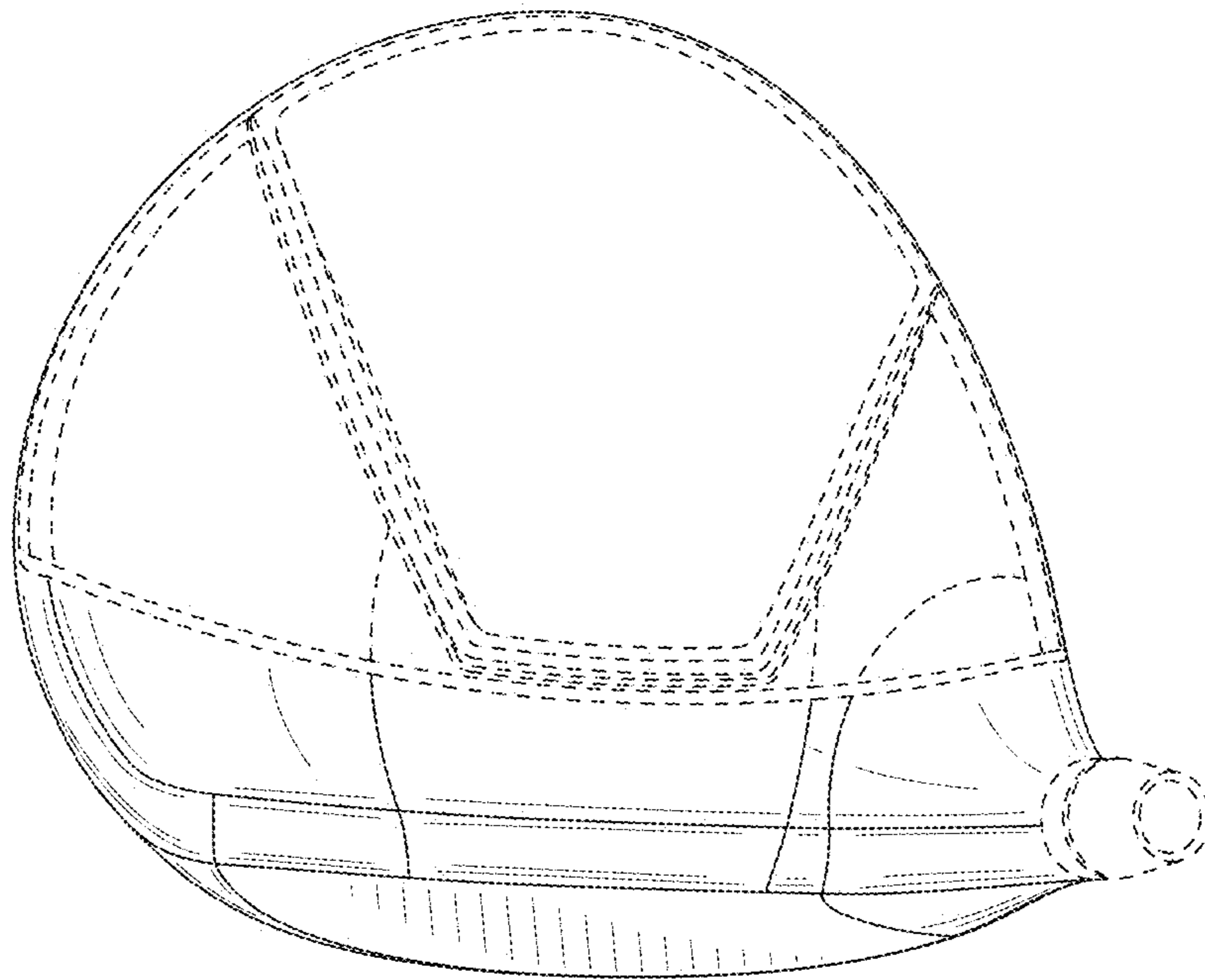


FIG. 13

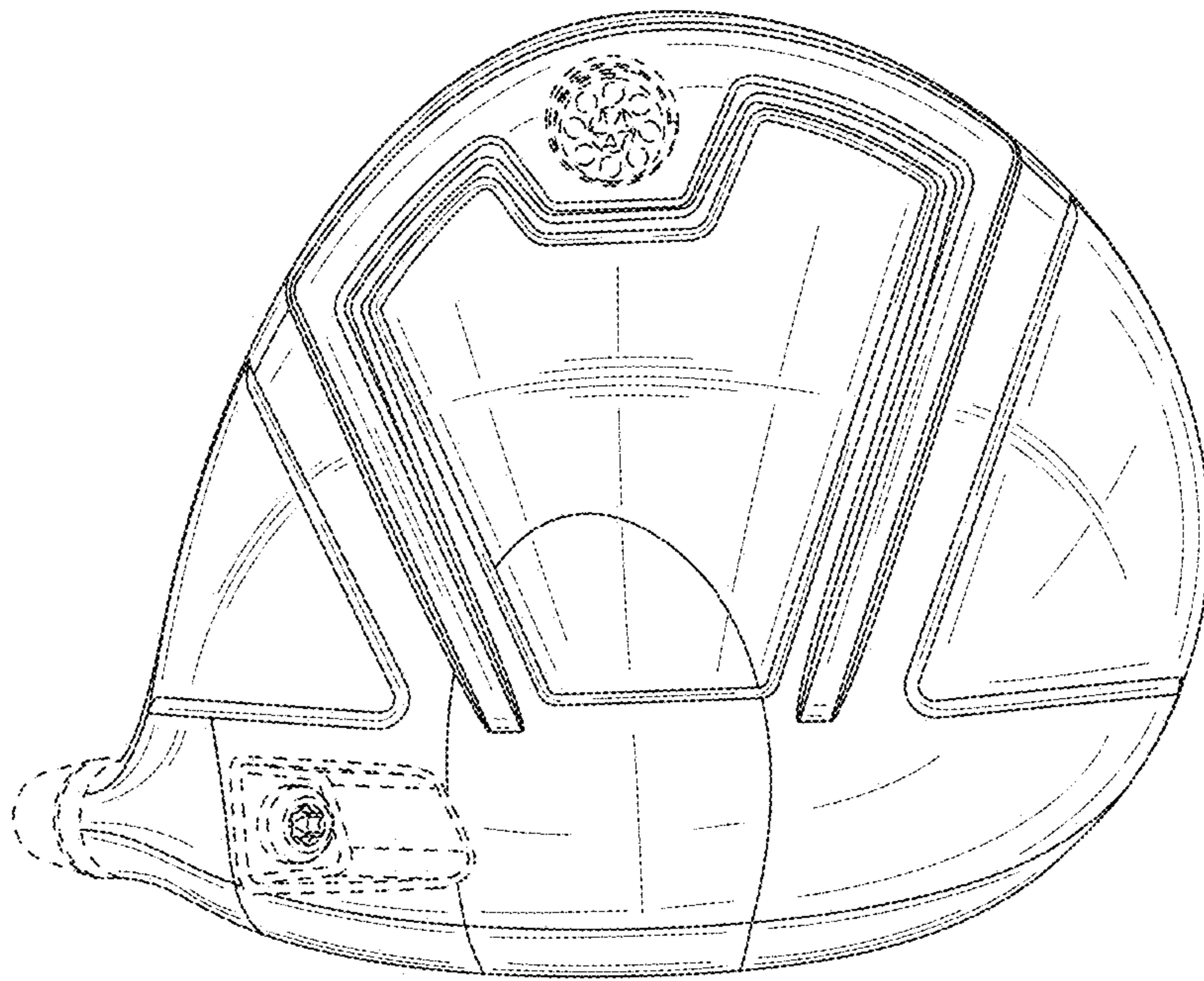


FIG. 14

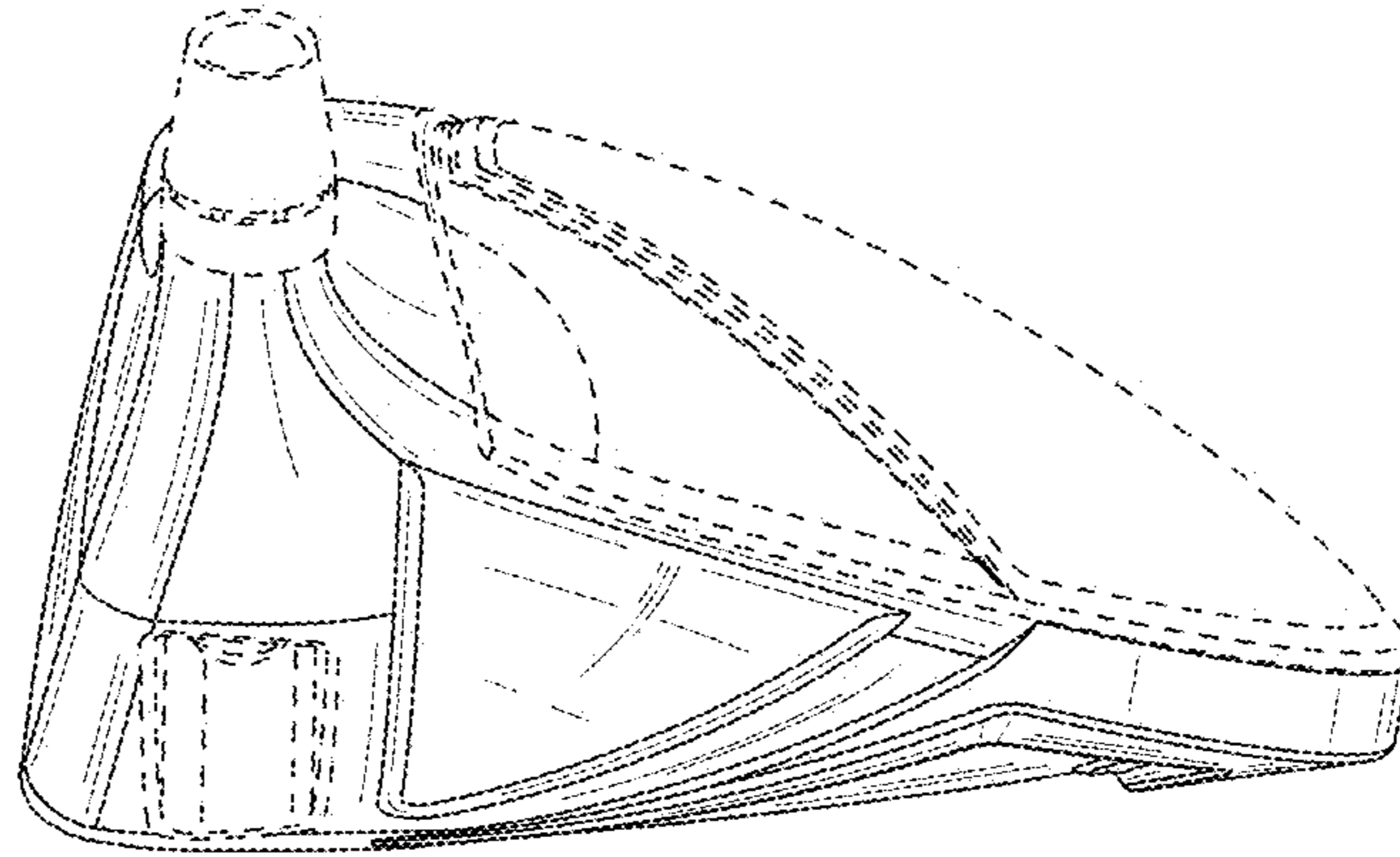


FIG. 15

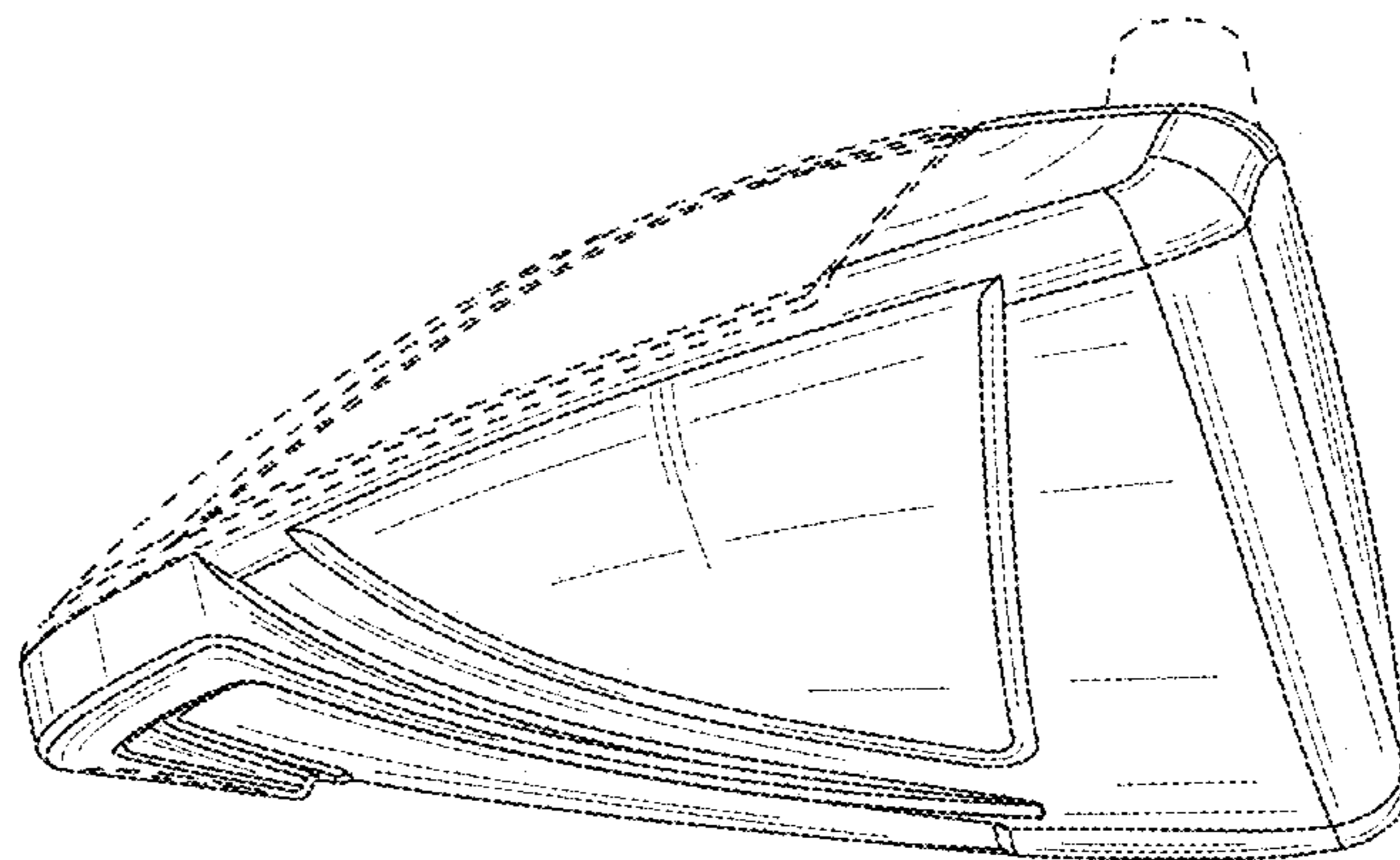


FIG. 16