



US00D967915S

(12) **United States Design Patent**
Sizemore, Jr.

(10) **Patent No.:** **US D967,915 S**

(45) **Date of Patent:** **** Oct. 25, 2022**

(54) **PUTTER**

(71) Applicant: **Bruce E Sizemore, Jr.**, Jackson, MI
(US)

(72) Inventor: **Bruce E Sizemore, Jr.**, Jackson, MI
(US)

(73) Assignee: **Mod Golf Technologies, LLC**, Jackson,
MI (US)

(**) Term: **15 Years**

(21) Appl. No.: **29/737,622**

(22) Filed: **Jun. 10, 2020**

(51) **LOC (13) Cl.** **21-02**

(52) **U.S. Cl.**
USPC **D21/746**

(58) **Field of Classification Search**
USPC D21/736-746, 759
CPC A63B 53/00; A63B 53/04; A63B 53/007;
A63B 53/065; A63B 53/0487; A63B
60/00; A63B 60/46
See application file for complete search history.

(56) **References Cited**

U.S. PATENT DOCUMENTS

D533,609 S	*	12/2006	Moore	D21/742
D548,295 S	*	8/2007	Jertson	D21/736
D600,761 S	*	9/2009	Solheim	D21/736
D796,602 S	*	9/2017	Serrano	D21/743
D852,911 S	*	7/2019	Wang	D21/744

D860,355 S	*	9/2019	Wang	D21/744
D867,496 S	*	11/2019	Cameron	D21/736
D874,592 S	*	2/2020	Parente	D21/744
D906,454 S	*	12/2020	Agrella	D21/743
D912,175 S	*	3/2021	Toulon	D21/743
D930,768 S	*	9/2021	Cameron	D21/743
D935,541 S	*	11/2021	Kasai	D21/743
D936,768 S	*	11/2021	Cameron	D21/736

* cited by examiner

Primary Examiner — Mitchell I. Siegel

(74) *Attorney, Agent, or Firm* — Warner Norcross + Judd
LLP

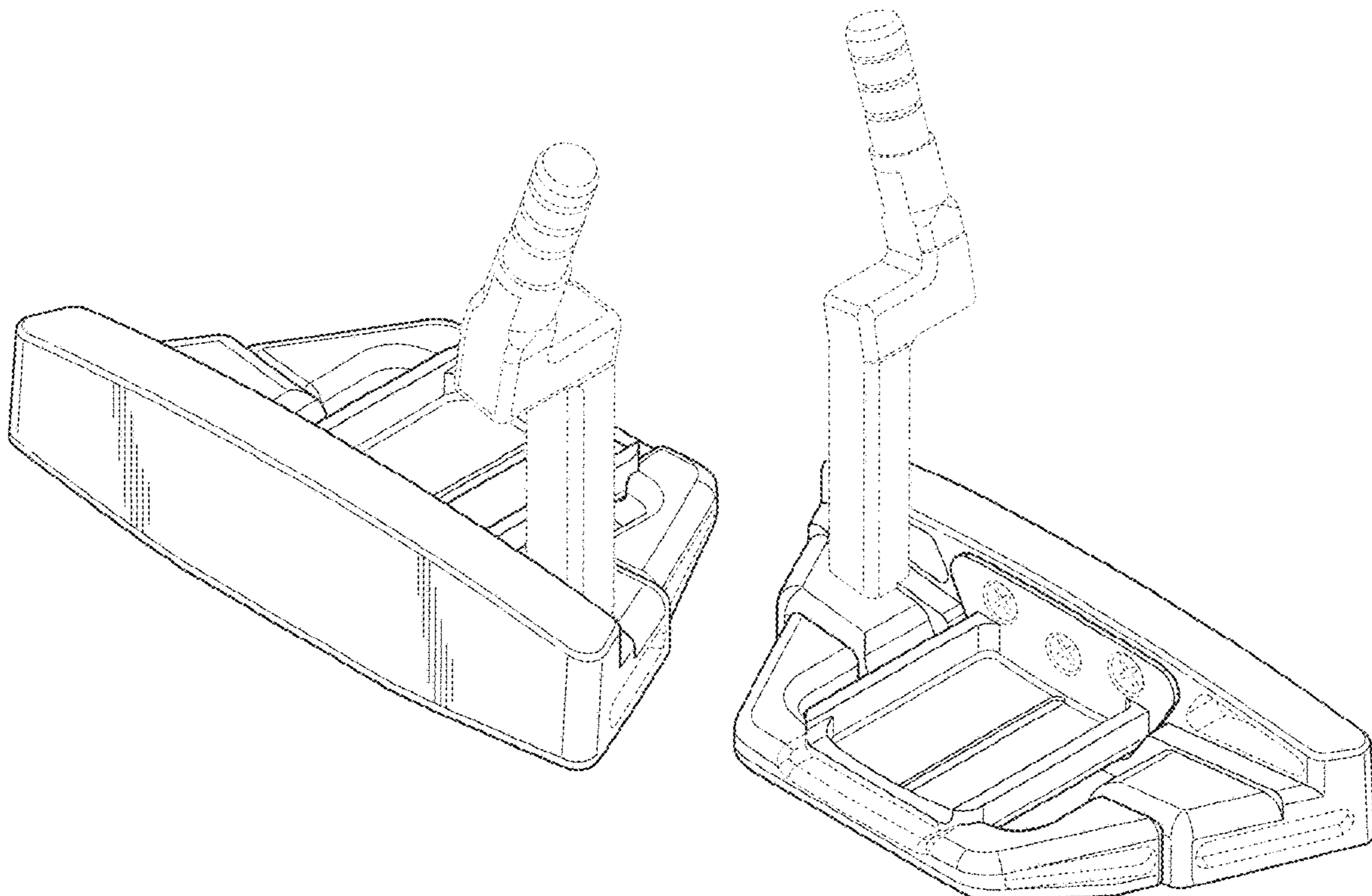
(57) **CLAIM**

The ornamental design for a putter, as shown and described.

DESCRIPTION

FIG. 1 is a front perspective view of the present invention showing my new design;
FIG. 2 is a rear perspective view of the present invention showing my new design;
FIG. 3 is a front elevational view thereof;
FIG. 4 is a top plan view thereof;
FIG. 5 is a rear elevational view thereof;
FIG. 6 is a bottom plan view thereof;
FIG. 7 is a right side elevational view thereof; and,
FIG. 8 is a left side elevational view thereof.
FIGS. 1-8 show portions of the design in broken lines. The portions shown in broken lines form no part of the claimed design.

1 Claim, 4 Drawing Sheets



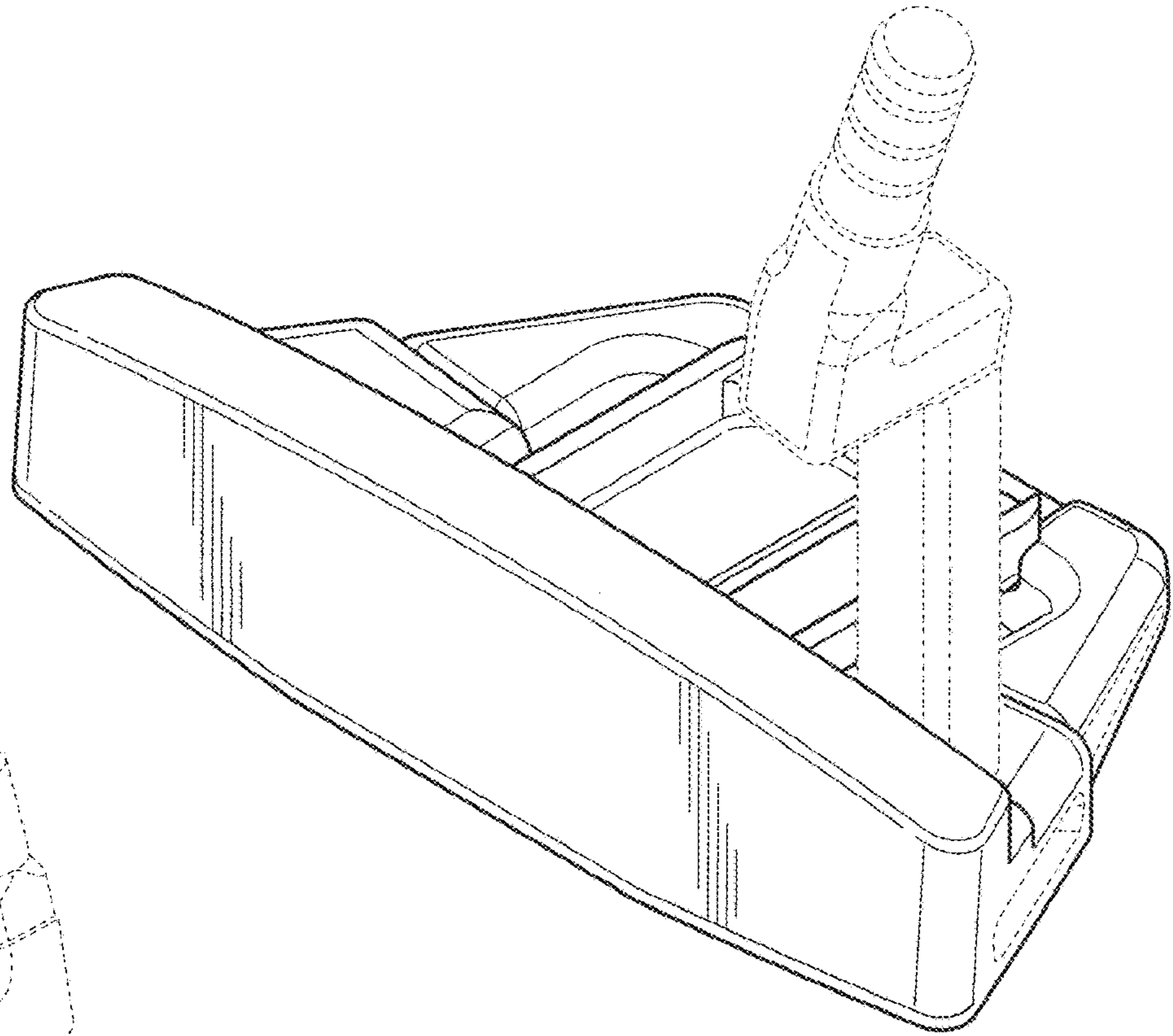


Fig. 1

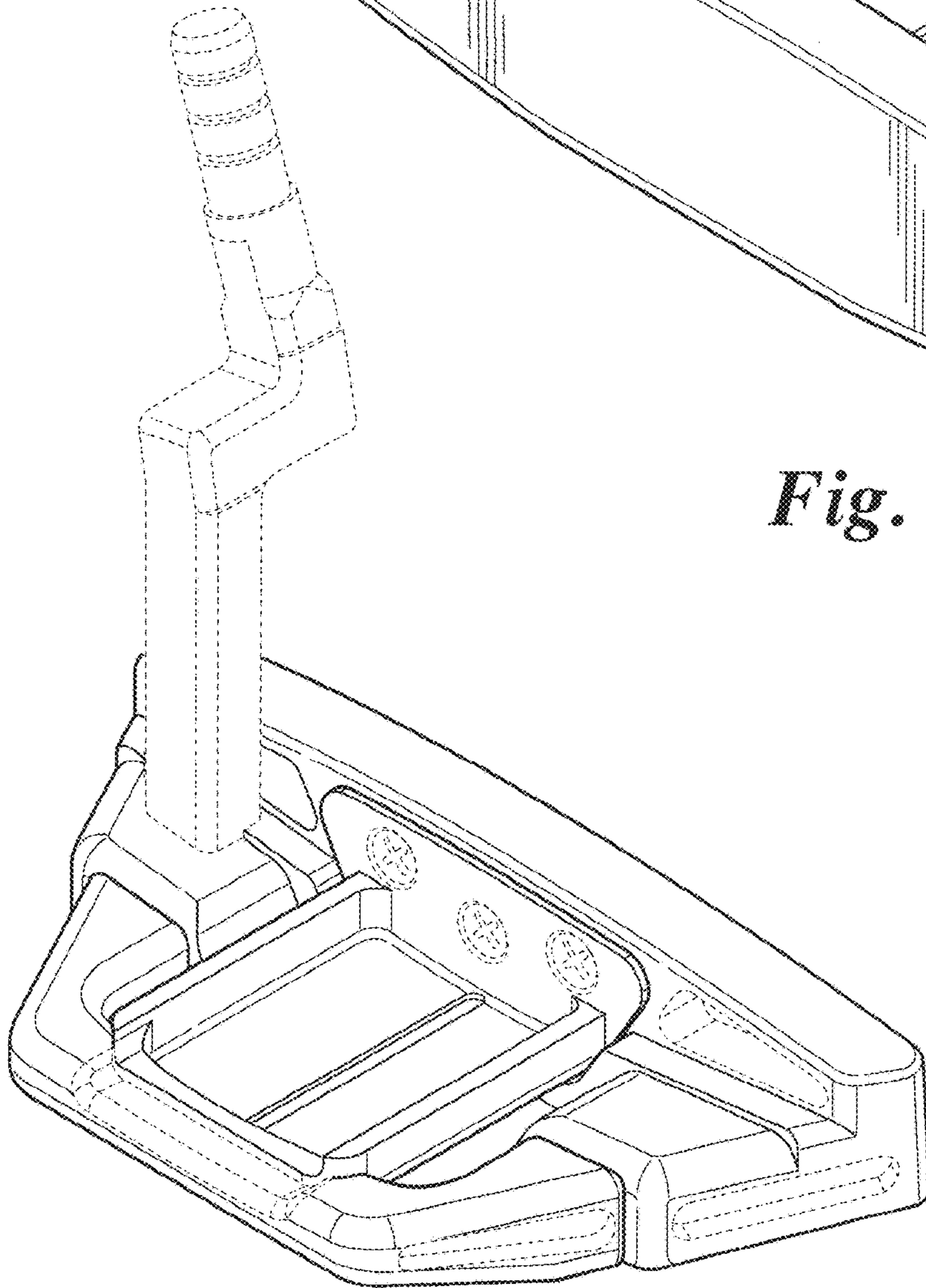


Fig. 2

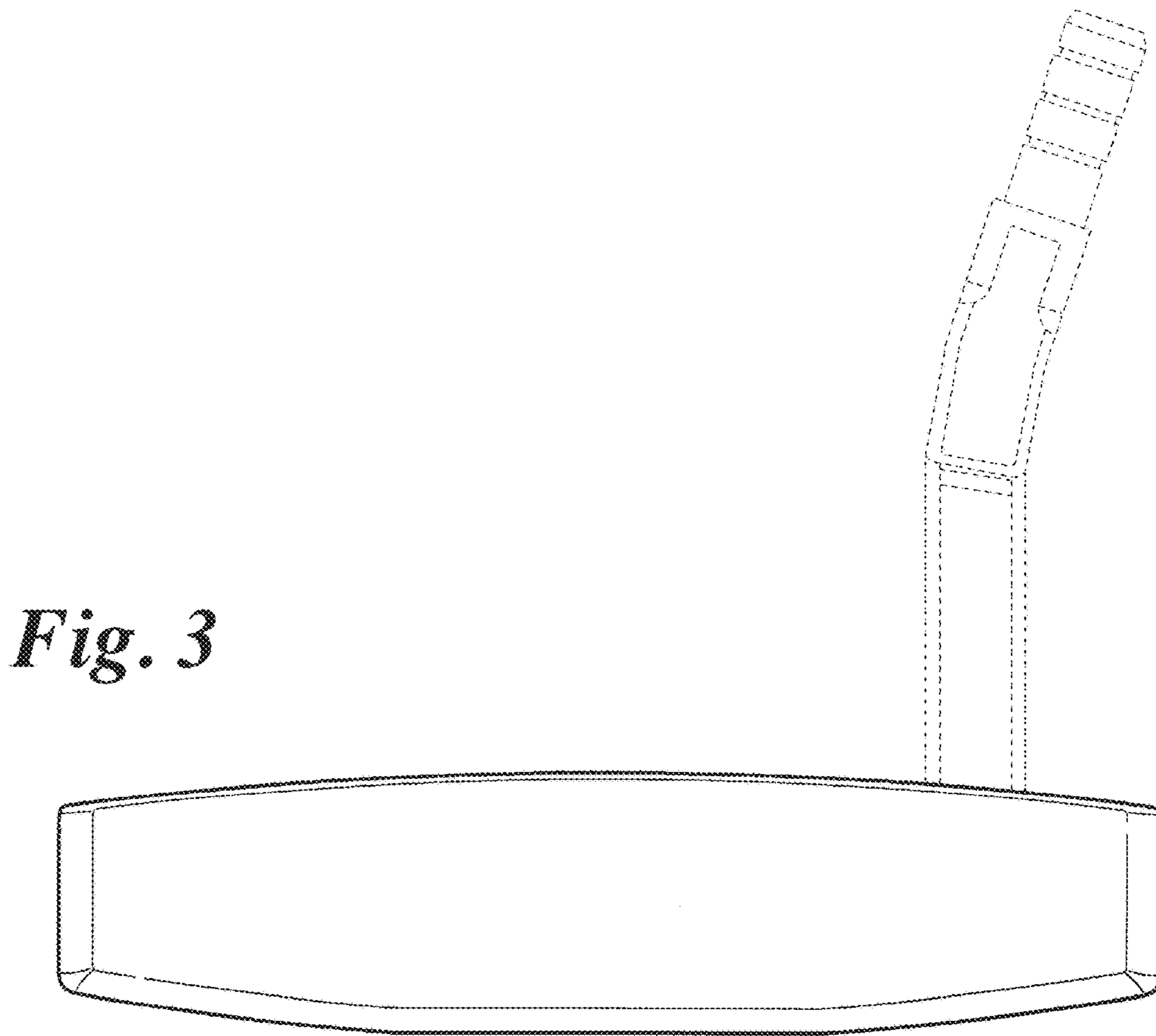


Fig. 3

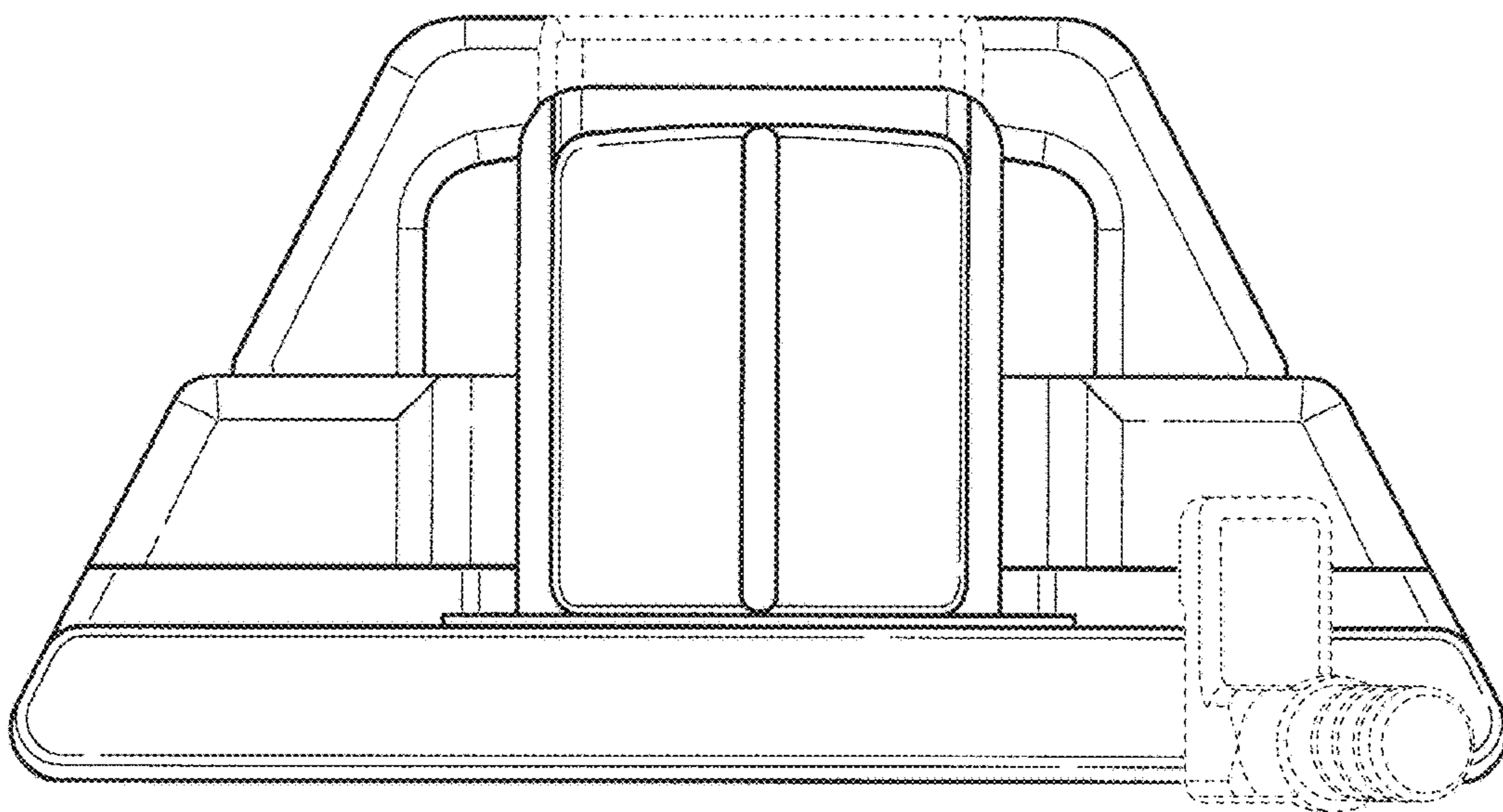


Fig. 4

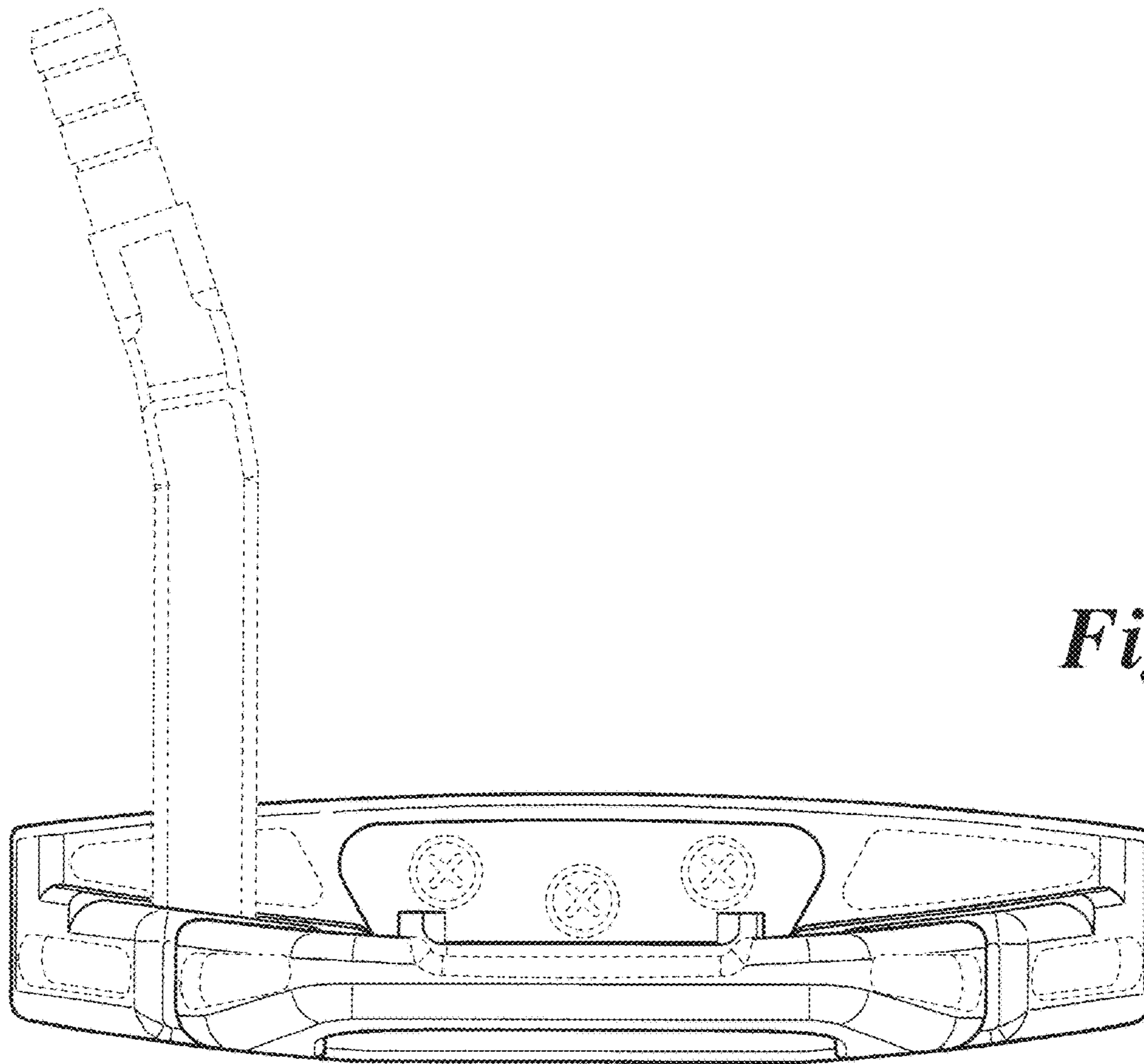


Fig. 5

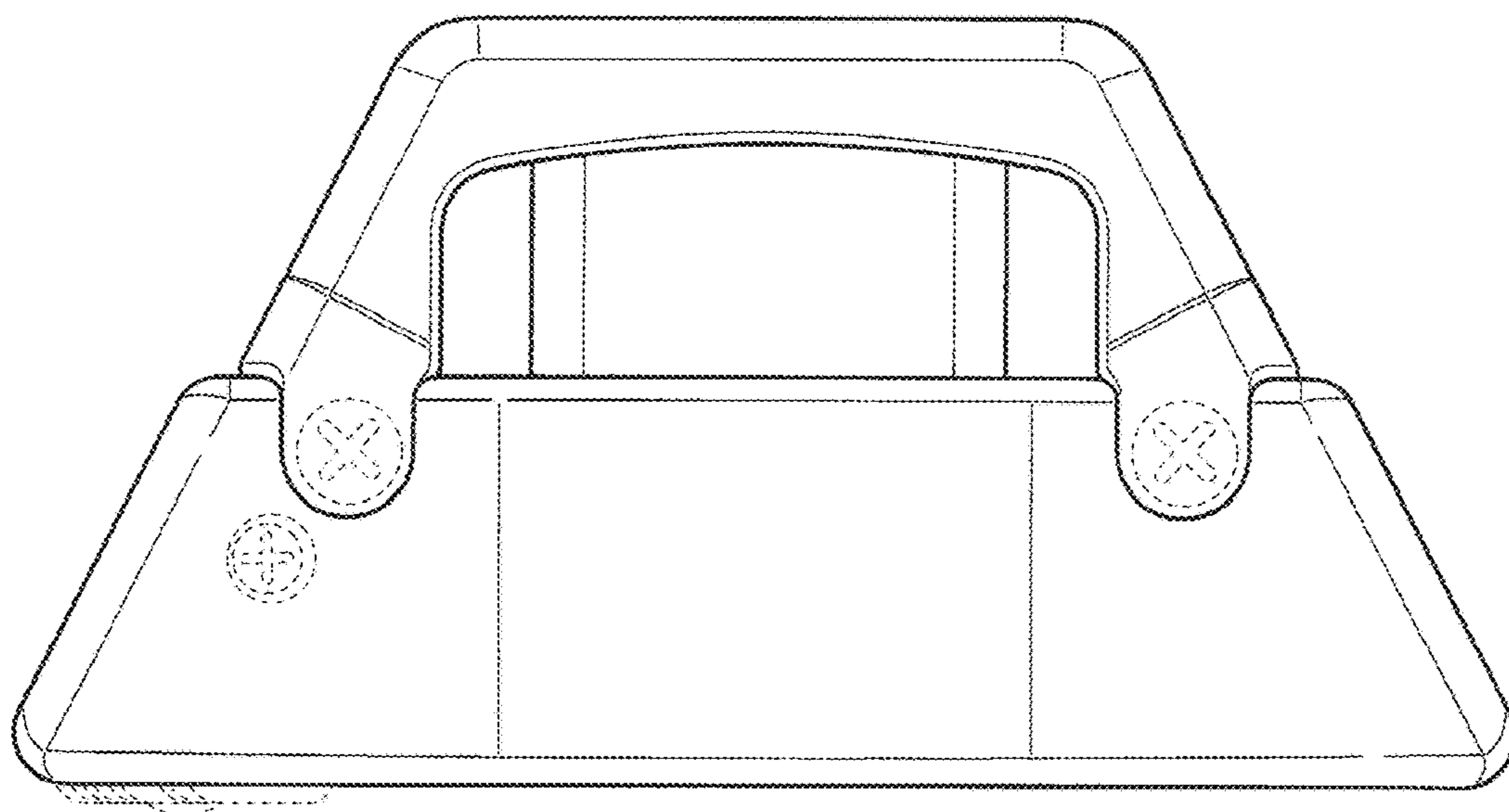


Fig. 6

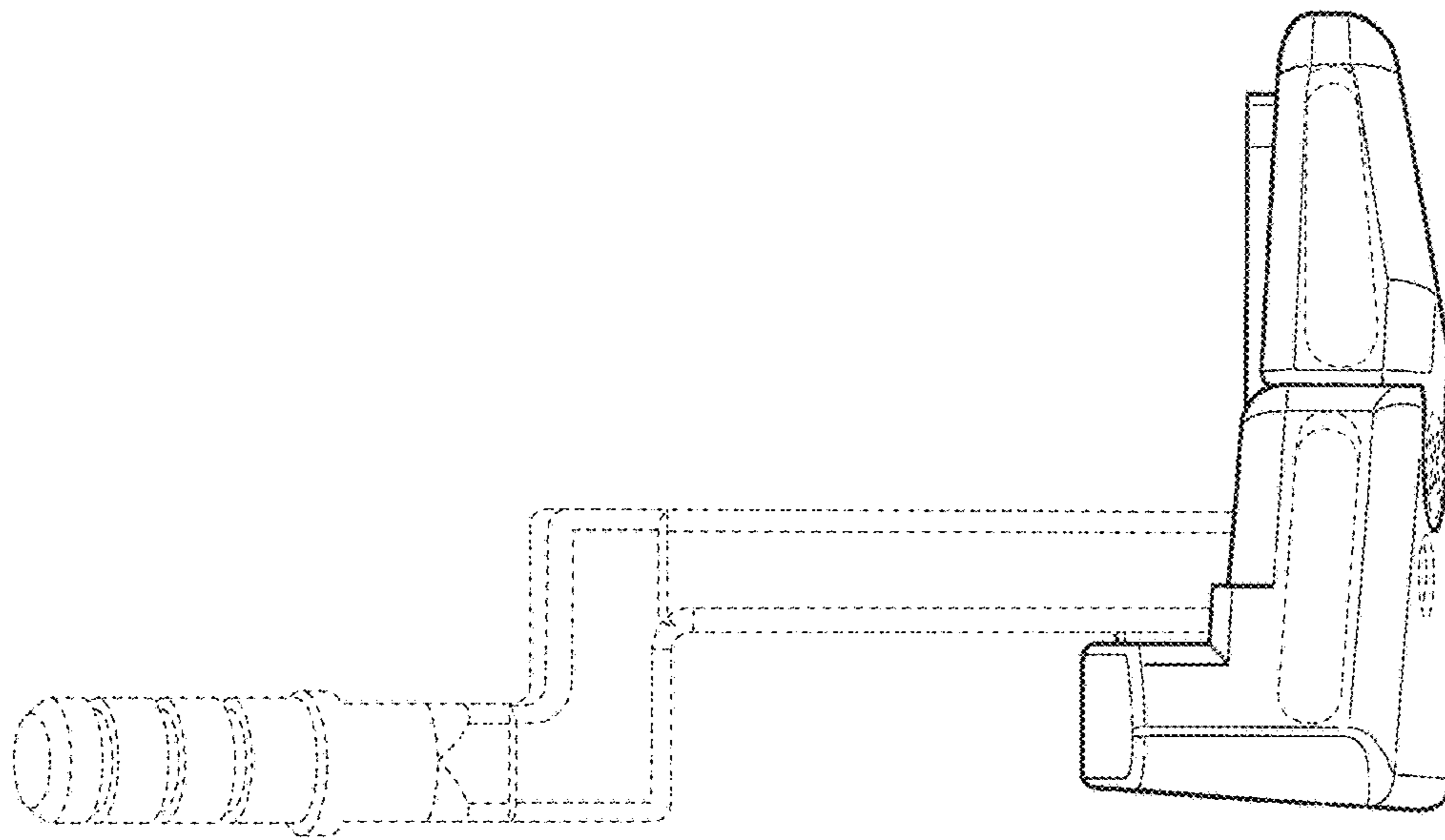


Fig. 7

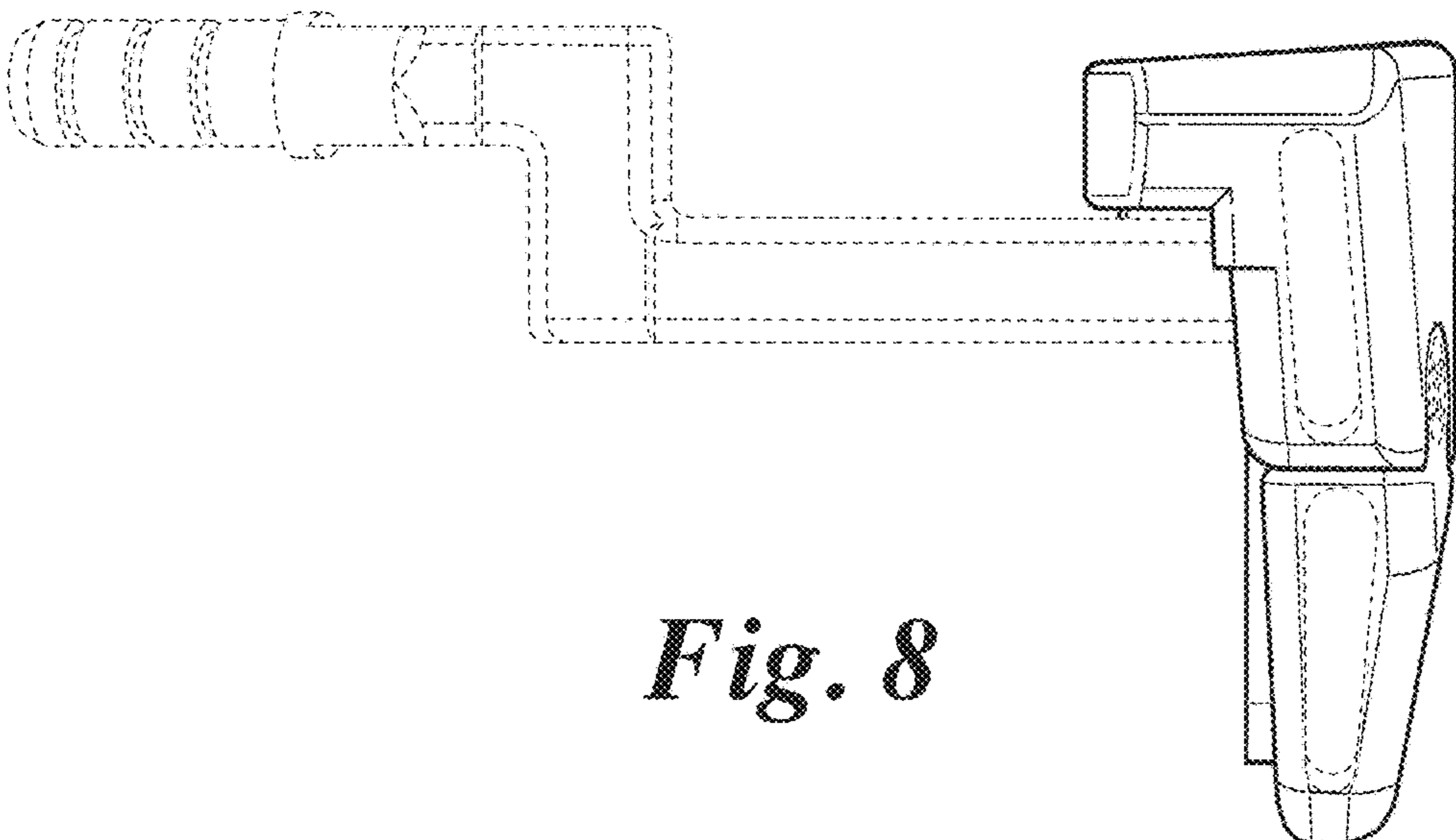


Fig. 8